



US00D646493S

(12) **United States Design Patent**  
**Yang et al.**

(10) **Patent No.:** **US D646,493 S**  
(45) **Date of Patent:** **\*\* Oct. 11, 2011**

(54) **WALL MOUNT MIRROR**

(75) Inventors: **Frank Yang**, Rancho Palos Verdes, CA (US); **Tzu-Hao Wei**, Hacienda Heights, CA (US); **Di-Fong Chang**, Torrance, CA (US); **Myk Lum**, Irvine, CA (US); **Adam Wade**, Rancho Santa Margarita, CA (US); **Won Song**, Tustin, CA (US)

(73) Assignee: **Simplehuman LLC**, Torrance, CA (US)

(\*\*) Term: **14 Years**

(21) Appl. No.: **29/378,955**

(22) Filed: **Nov. 11, 2010**

(51) **LOC (9) Cl.** ..... **06-07**

(52) **U.S. Cl.** ..... **D6/300**

(58) **Field of Classification Search** ..... D6/300-314,  
D6/444, 525, 526; 40/700, 711, 735, 714-716,  
40/719-722, 738, 744, 745, 754, 765, 768,  
40/769, 790, 798, 597; 248/466-467; D20/10,  
D20/29-32; D11/131, 133-135; 359/838,  
359/871, 872

See application file for complete search history.

(56) **References Cited**

**U.S. PATENT DOCUMENTS**

D282,993 S \* 3/1986 Sanford ..... D6/526  
D324,463 S \* 3/1992 Young ..... D6/525

D486,962 S \* 2/2004 Snell ..... D6/309  
D505,555 S \* 5/2005 Snell ..... D6/309  
D506,877 S \* 7/2005 Snell ..... D6/300  
D532,207 S \* 11/2006 Snell ..... D6/300

\* cited by examiner

*Primary Examiner* — Philip S Hyder

*Assistant Examiner* — Sydney Buffalow

(74) *Attorney, Agent, or Firm* — Liu & Liu

(57) **CLAIM**

The ornamental design for a wall mount mirror, as shown and described.

**DESCRIPTION**

FIG. 1 is a right perspective view of a wall mount mirror showing our new design;  
FIG. 2 is a front view thereof;  
FIG. 3 is a rear view thereof, wherein the broken lines form no part of the claimed design thereof;  
FIG. 4 is a left side view thereof;  
FIG. 5 is a right side view thereof;  
FIG. 6 is a top plan view thereof;  
FIG. 7 is a bottom plan view thereof; and,  
FIG. 8 is a right perspective view of the wall mount mirror, showing an alternate tilt position of the mirror with respect to the rear mounting base.

**1 Claim, 8 Drawing Sheets**

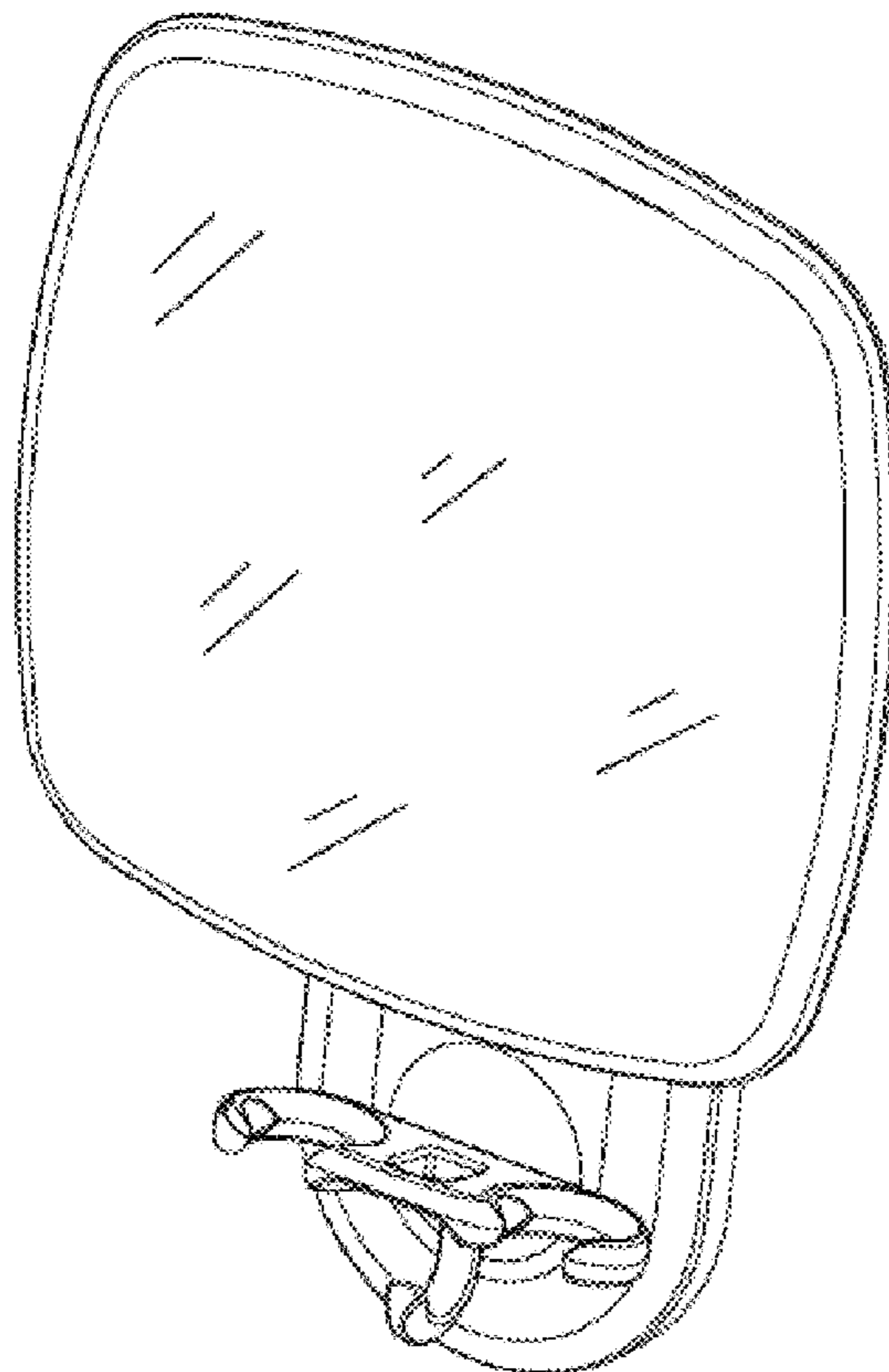


FIG. 1

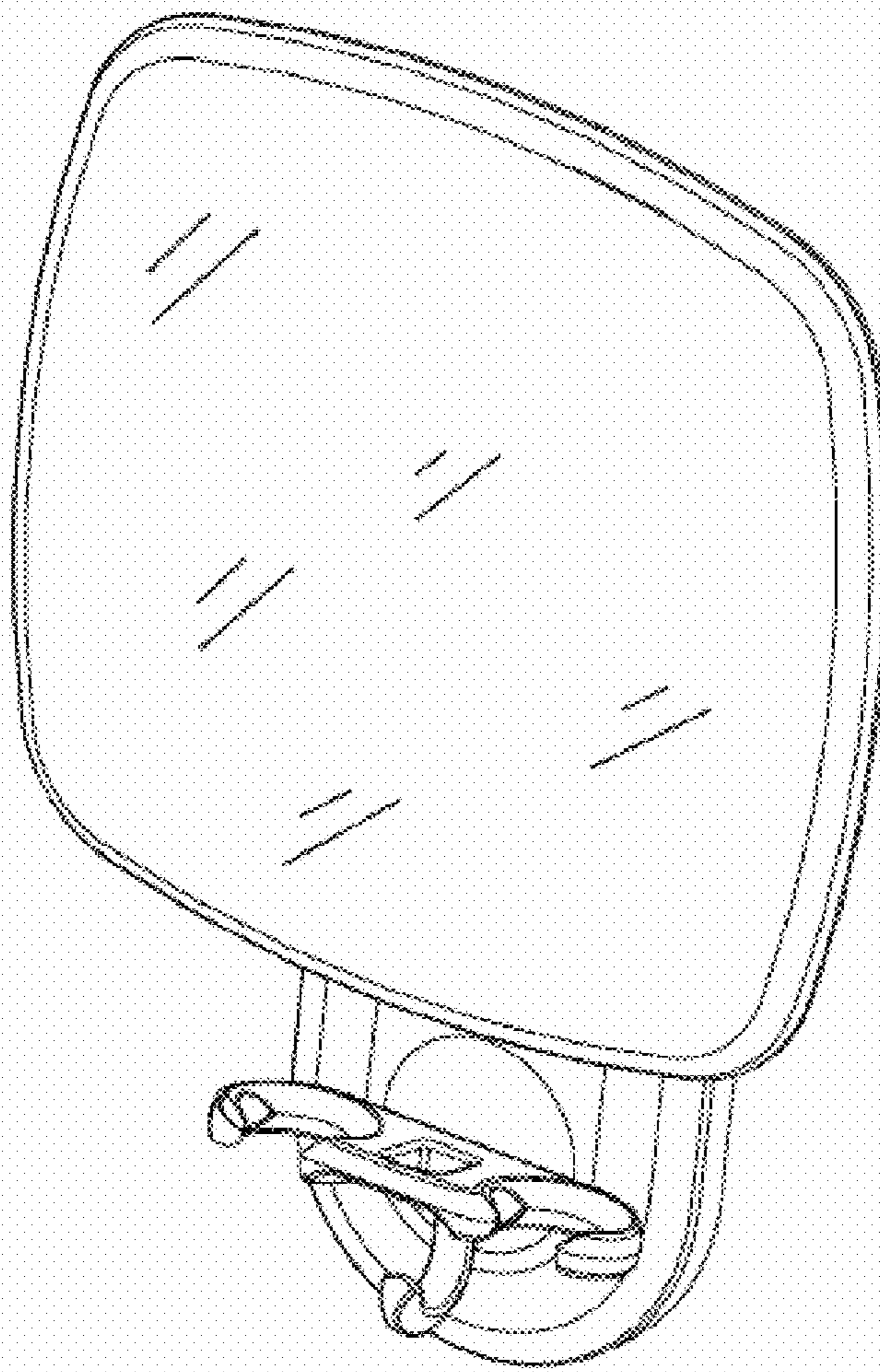
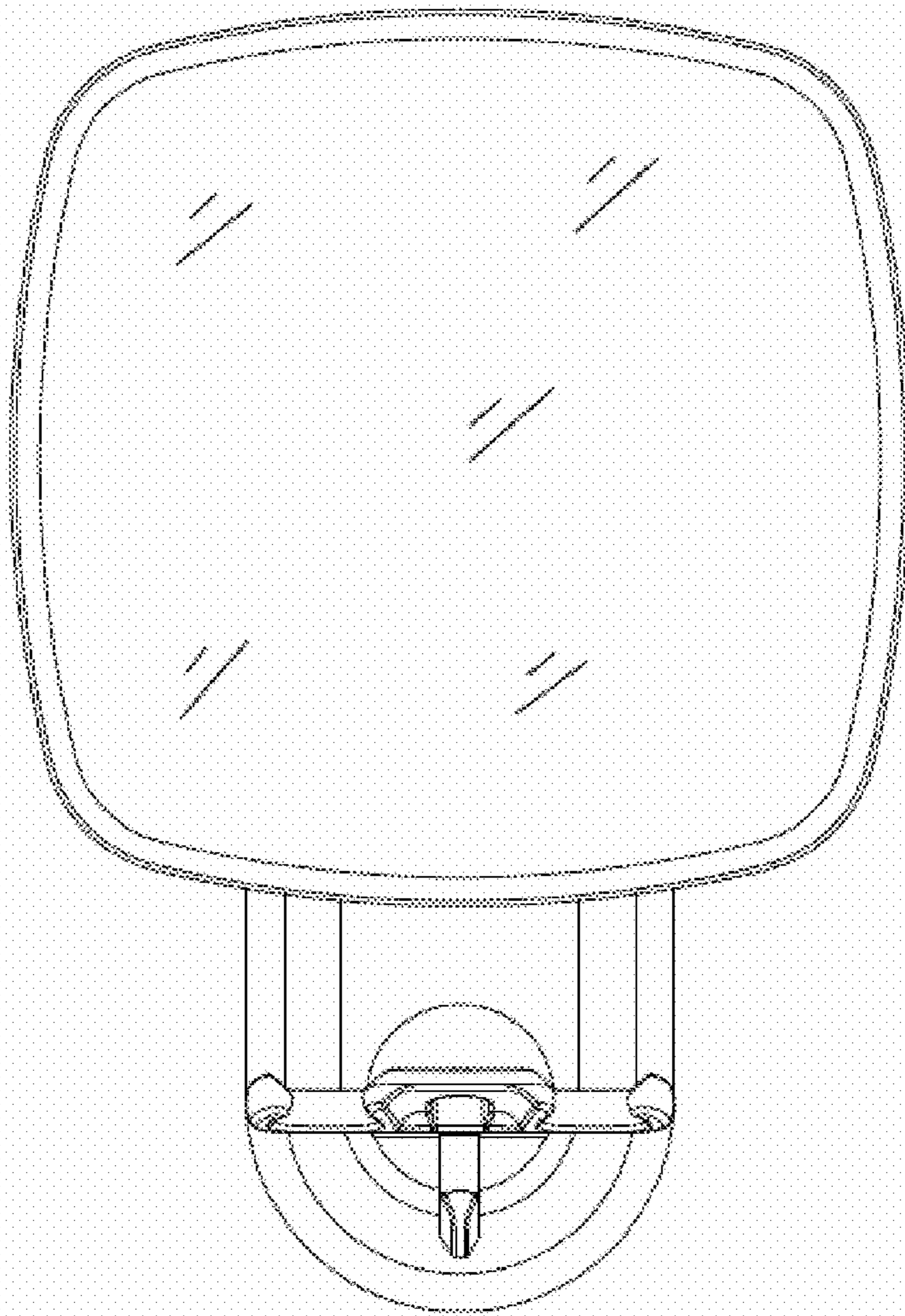
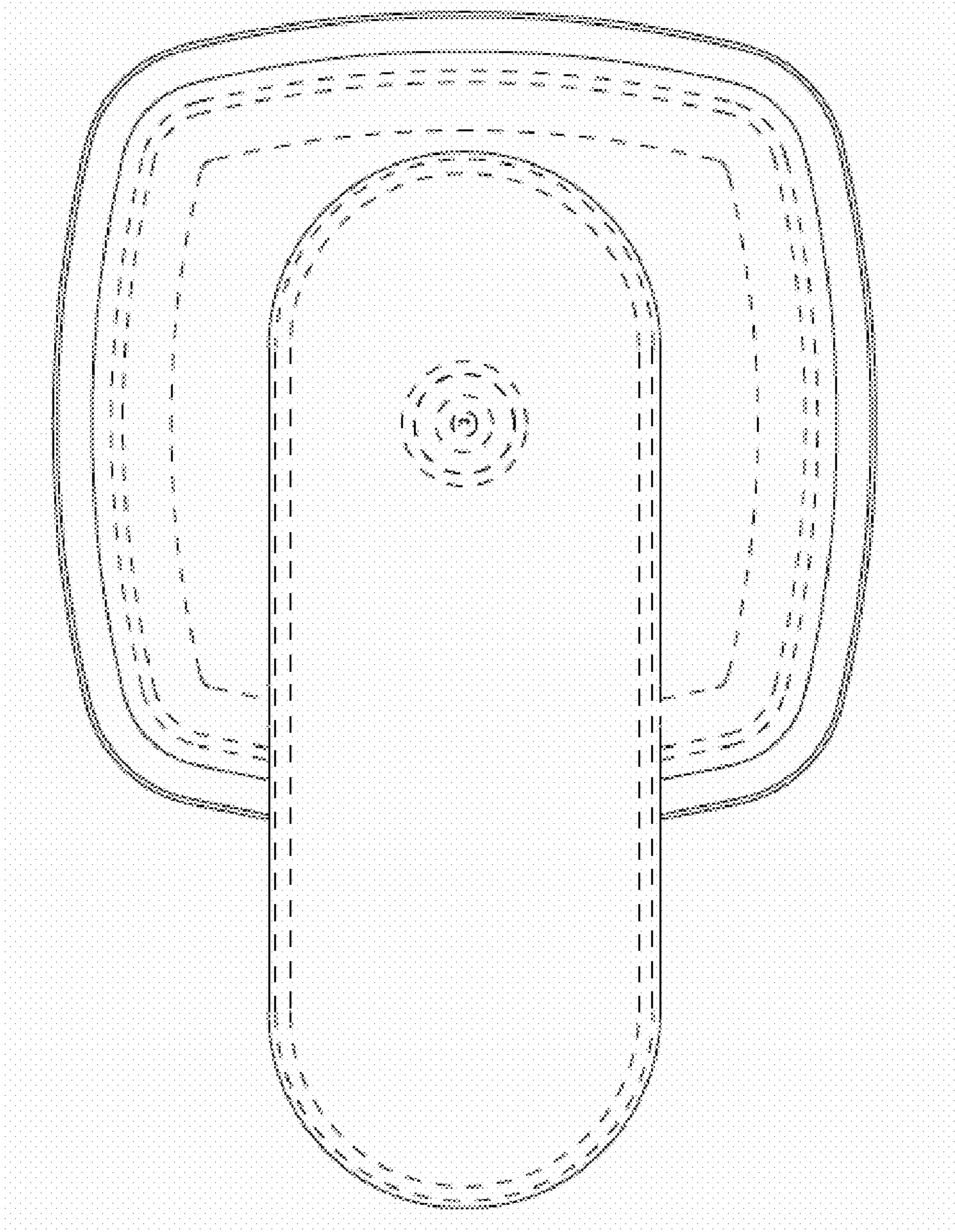


FIG. 2





**FIG. 3**



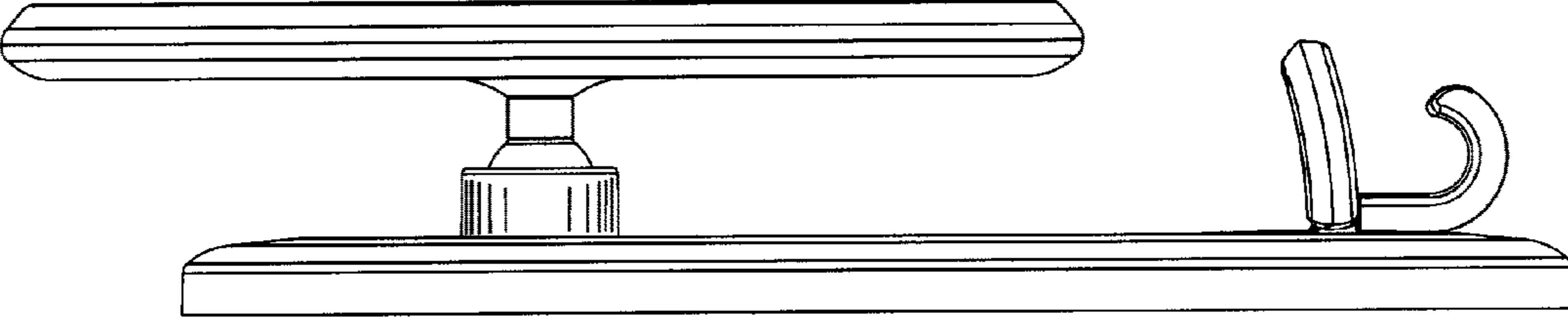


FIG. 4

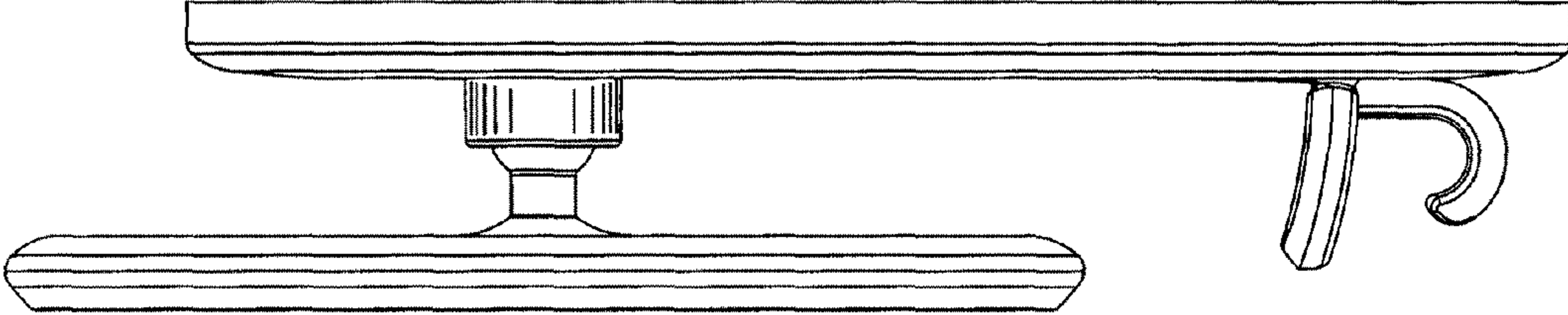


FIG. 5

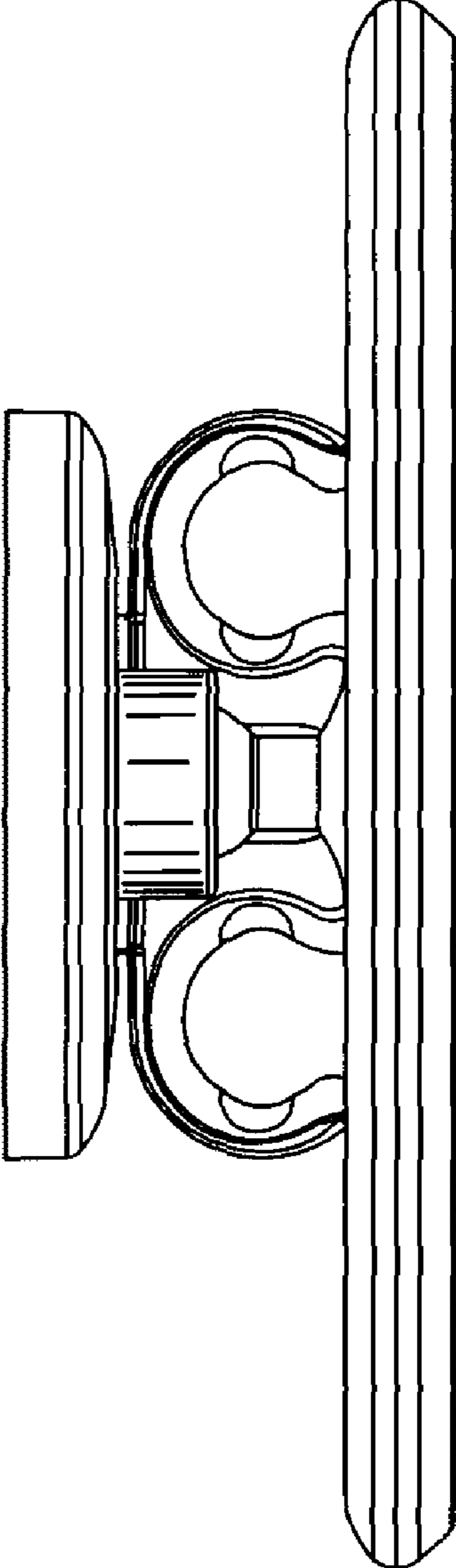
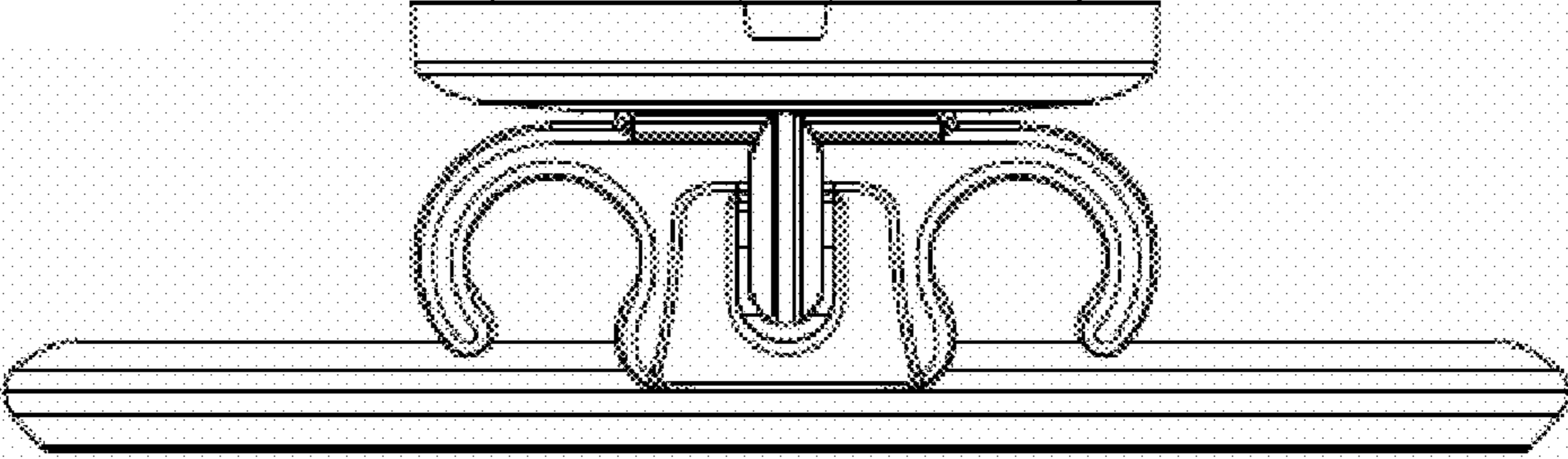


FIG. 6

**FIG. 7**





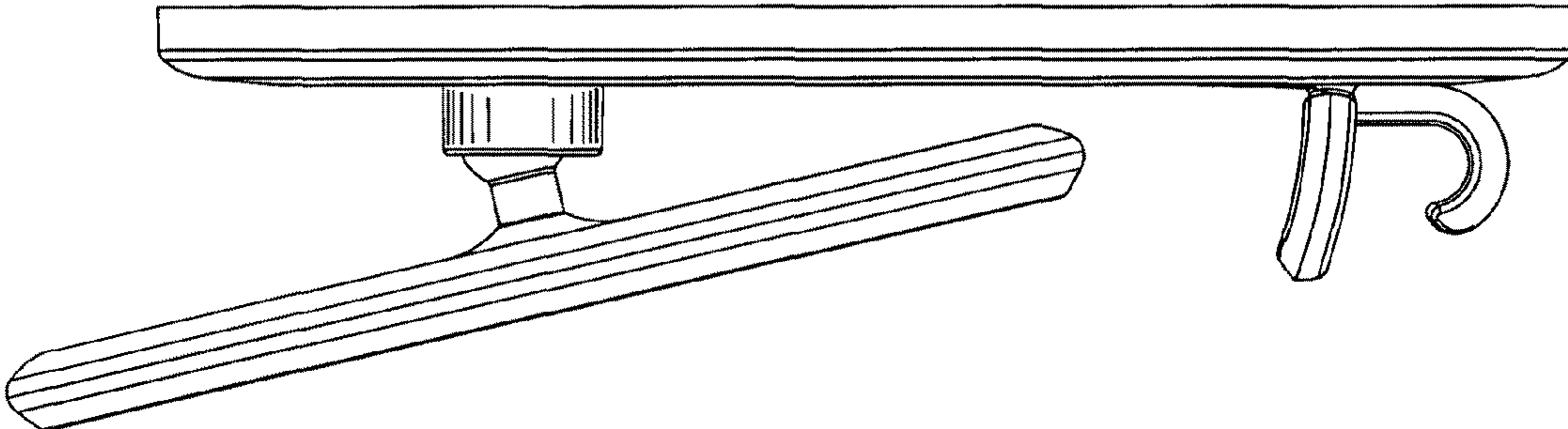


FIG. 8