



US00D646488S

(12) **United States Design Patent**
Rennette

(10) **Patent No.:** **US D646,488 S**

(45) **Date of Patent:** **** Oct. 11, 2011**

(54) **HAIR BRUSH**

(76) Inventor: **Jean Rennette**, Walnut Creek, CA (US)

(**) Term: **14 Years**

(21) Appl. No.: **29/387,496**

(22) Filed: **Mar. 14, 2011**

(51) **LOC (9) Cl.** **04-02**

(52) **U.S. Cl.** **D4/116; D4/128; D4/138**

(58) **Field of Classification Search** D4/116,
D4/117, 121, 127, 128, 138; D28/10, 35,
D28/37; 15/27, 159.1, 160, 186-188; 132/120,
132/148, 226, 262, 271, 313

See application file for complete search history.

(56) **References Cited**

U.S. PATENT DOCUMENTS

D452,616 S *	1/2002	Varriale	D4/138
6,382,216 B1 *	5/2002	Clark	132/148
D479,916 S *	9/2003	Park	D4/128
D557,015 S *	12/2007	Park	D4/116
D621,163 S *	8/2010	Rennette	D4/128

FOREIGN PATENT DOCUMENTS

KR	177823 S *	5/1996
KR	30-0315214 S *	1/2003

OTHER PUBLICATIONS

Hairbrush—Item No. 9511PI-BT [online] Hair-Brushes.com, JPG Catalogue, 2003, [retrieved on Jun. 17, 2011]. Retrieved from the Internet using Web Archive <URL: http://web.archive.org/web/*/http://www.hair-brushes.com>.*

* cited by examiner

Primary Examiner — Melanie H Tung

Assistant Examiner — Lavone D Tabor

(74) *Attorney, Agent, or Firm* — Stoneman Law Patent Group; Martin L. Stoneman

(57) **CLAIM**

The ornamental design for a hair brush, as shown and described.

DESCRIPTION

FIG. 1 is a perspective view of a hair brush, showing my new design;

FIG. 2 is a reduced front elevational view thereof (and also a mirror image of the rear elevational view);

FIG. 3 is a reduced side elevational view thereof (and also a mirror image of the opposite side);

FIG. 4 is a reduced top view thereof;

FIG. 5 is a reduced bottom view thereof;

FIG. 6 is a perspective view of a hair brush, showing an element of the handle in an alternate position;

FIG. 7 is a reduced front elevational view thereof (and also a mirror image of the rear elevational view);

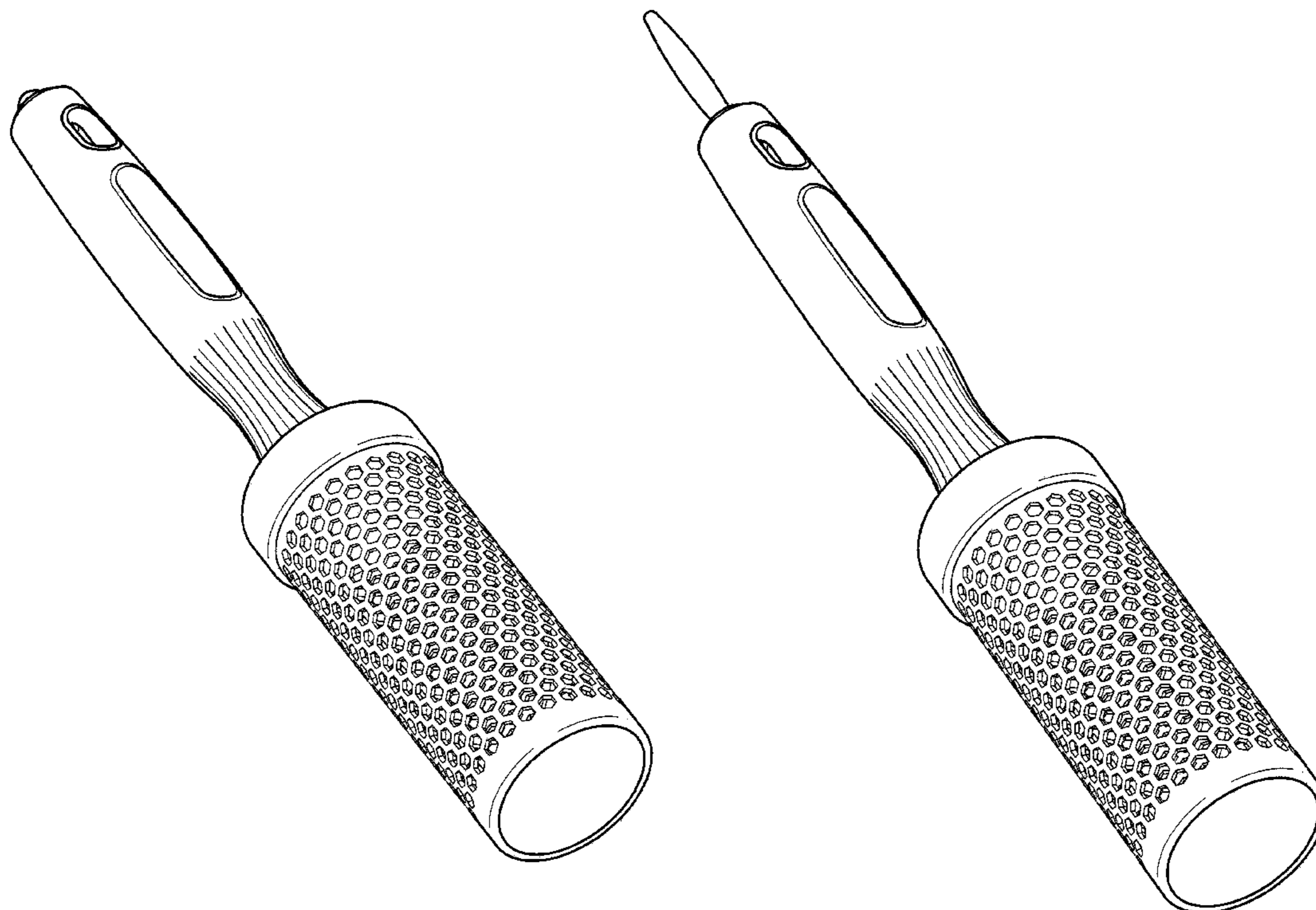
FIG. 8 is a reduced side elevational view thereof (and also a mirror image of the opposite side);

FIG. 9 is a reduced top view thereof; and,

FIG. 10 is a reduced bottom view thereof.

For clarity, brush bristles customarily supported by my new design have been omitted from the views and form no part of the claimed design.

1 Claim, 4 Drawing Sheets



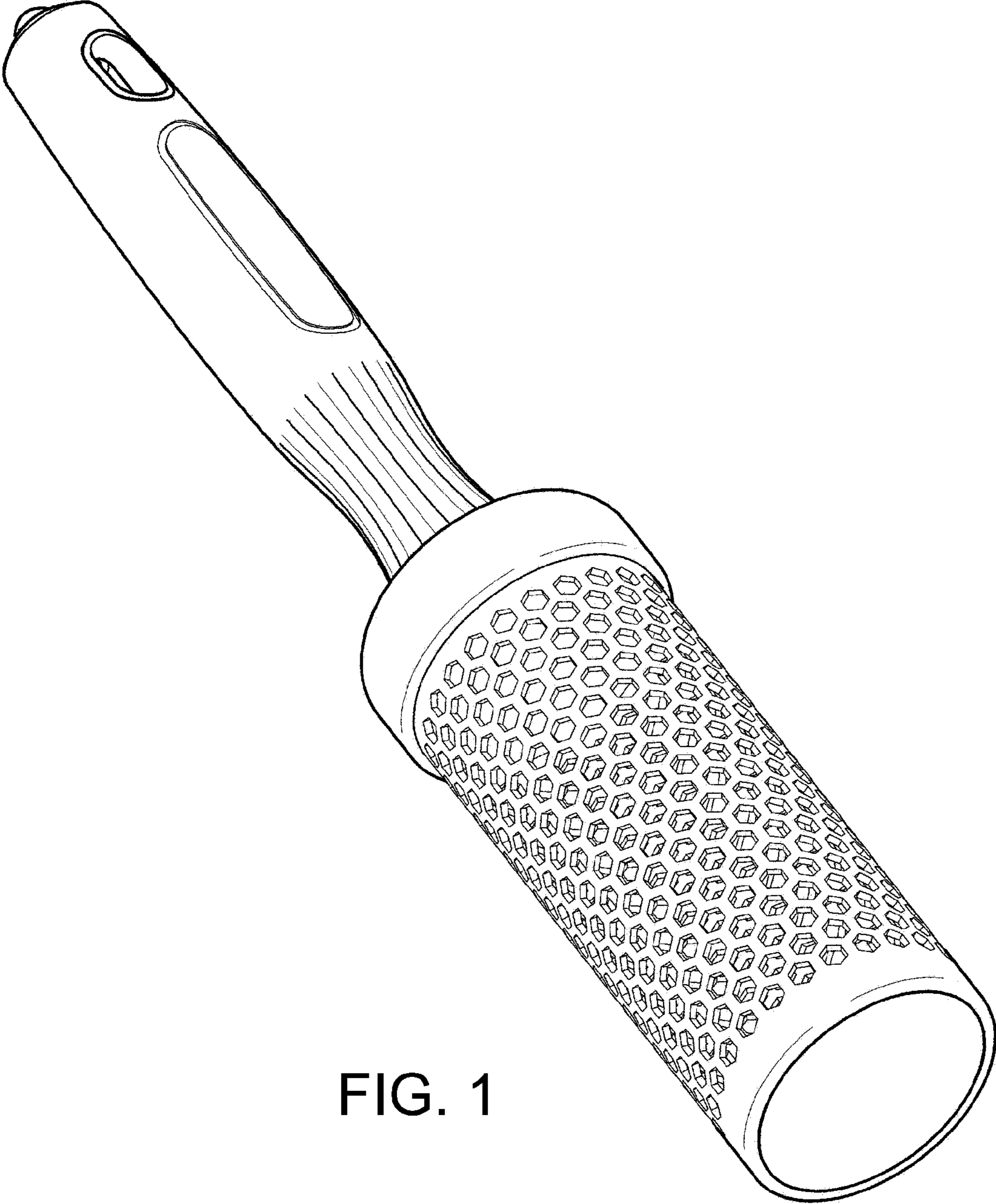


FIG. 1

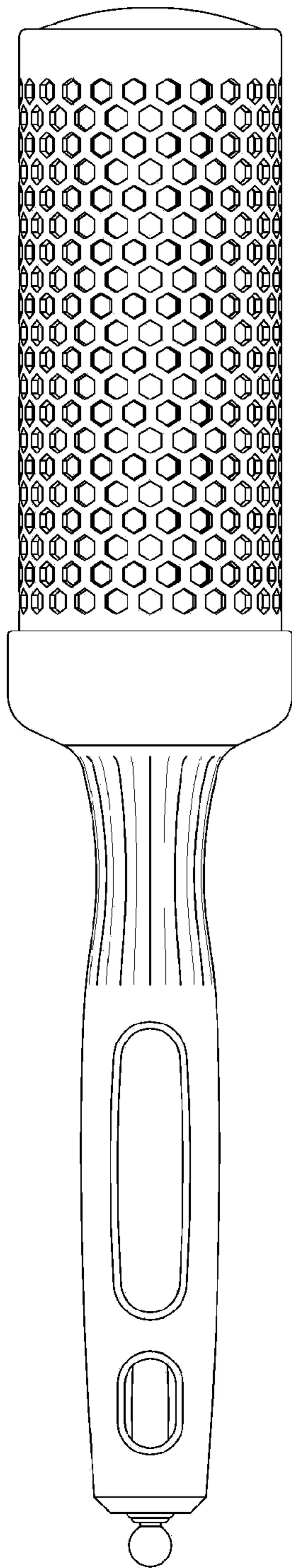


FIG. 2

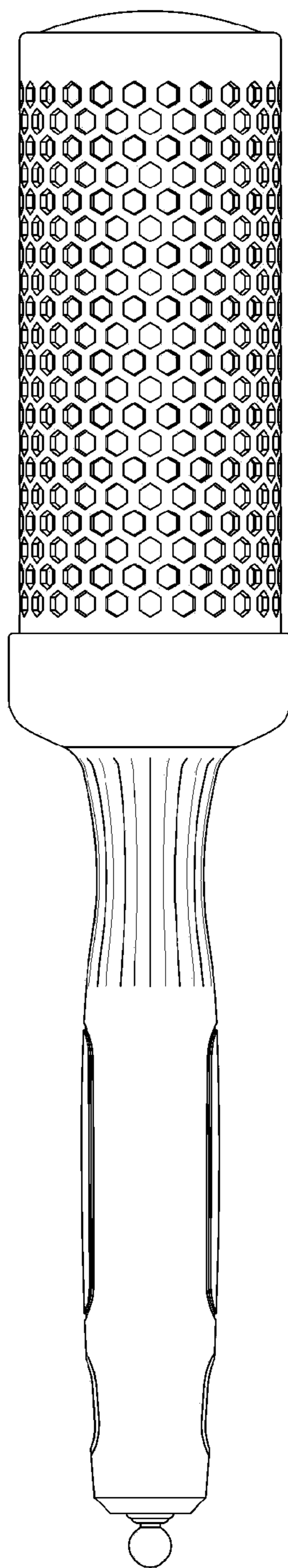


FIG. 3

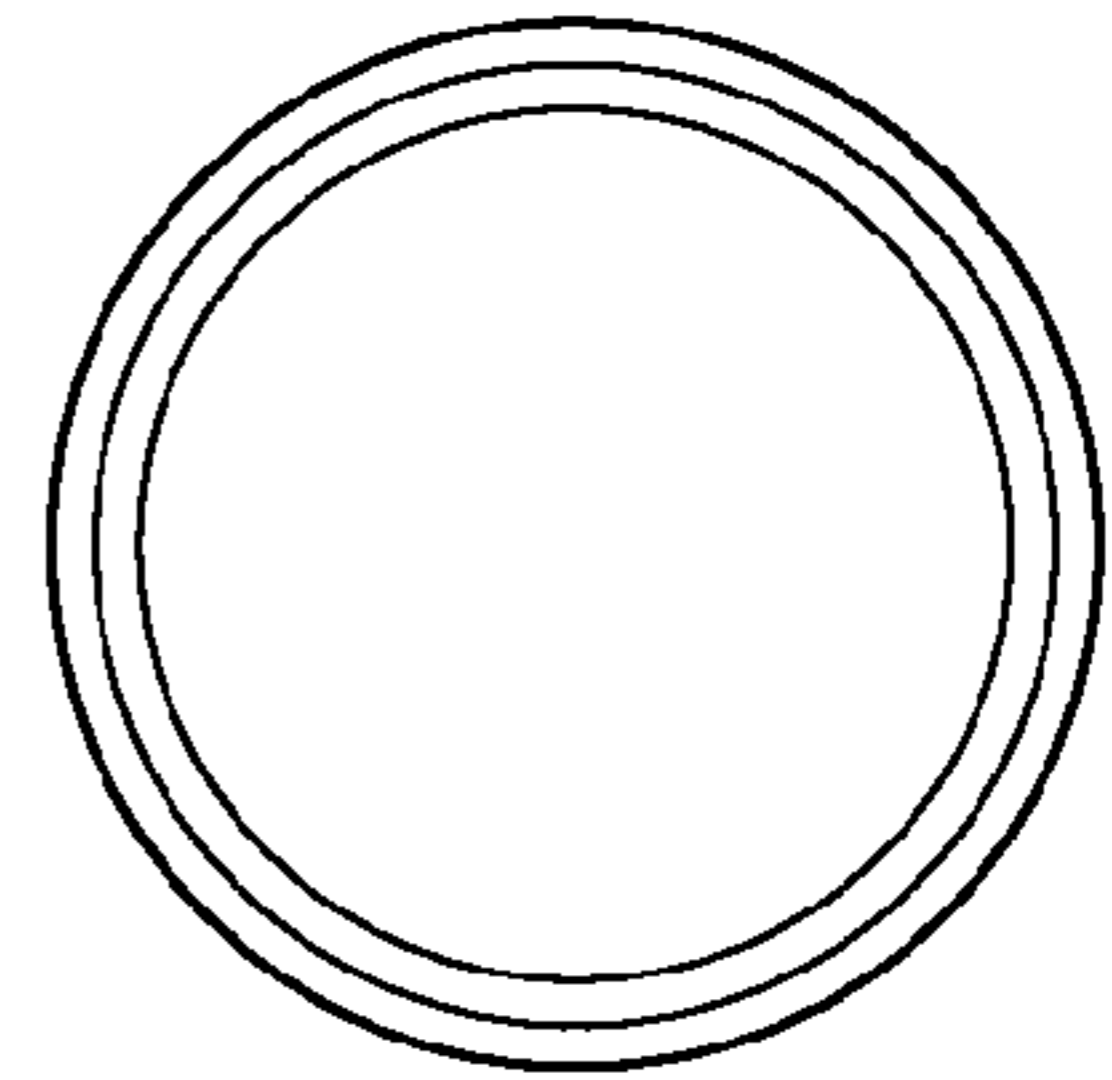


FIG. 4

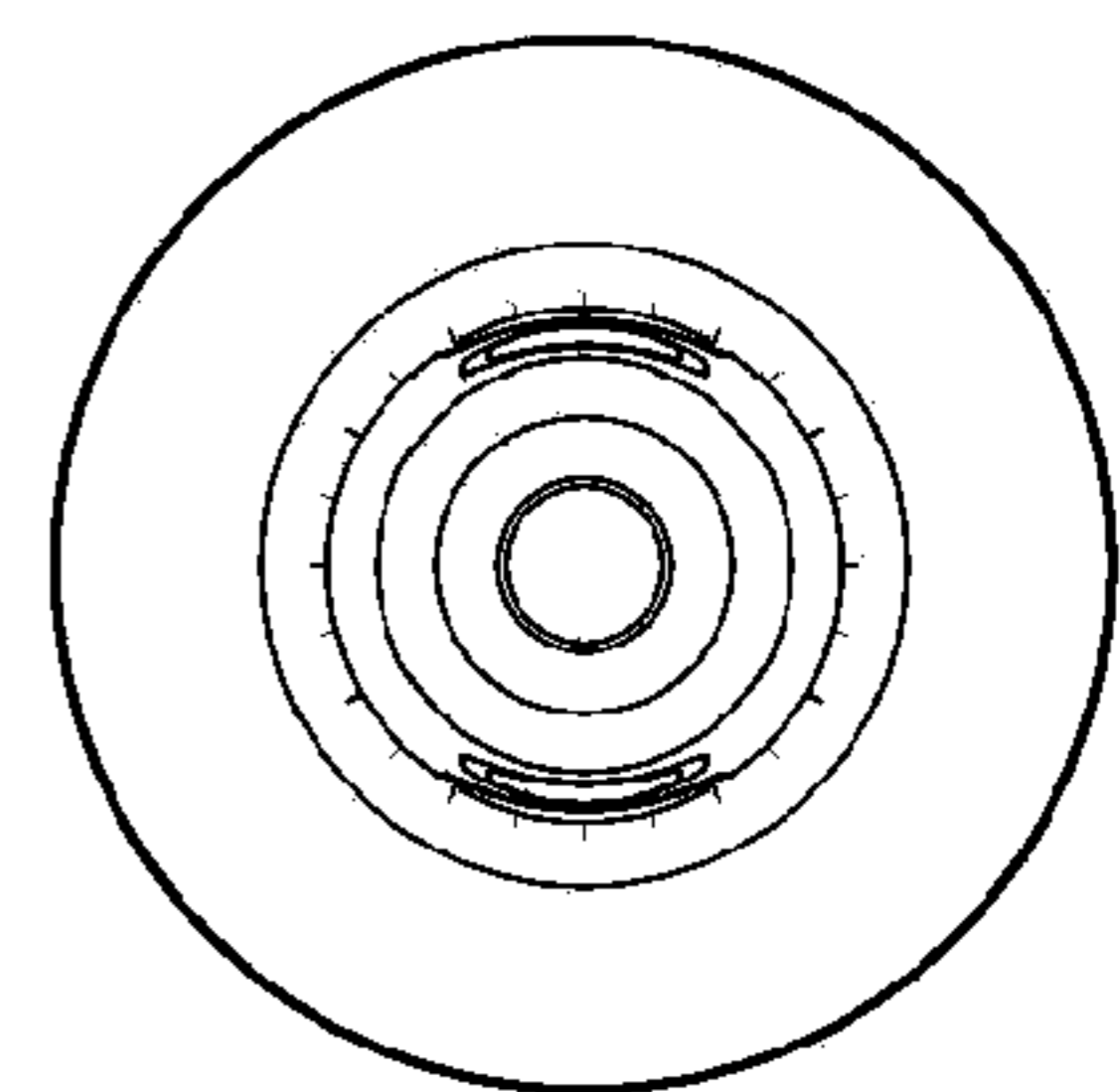


FIG. 5

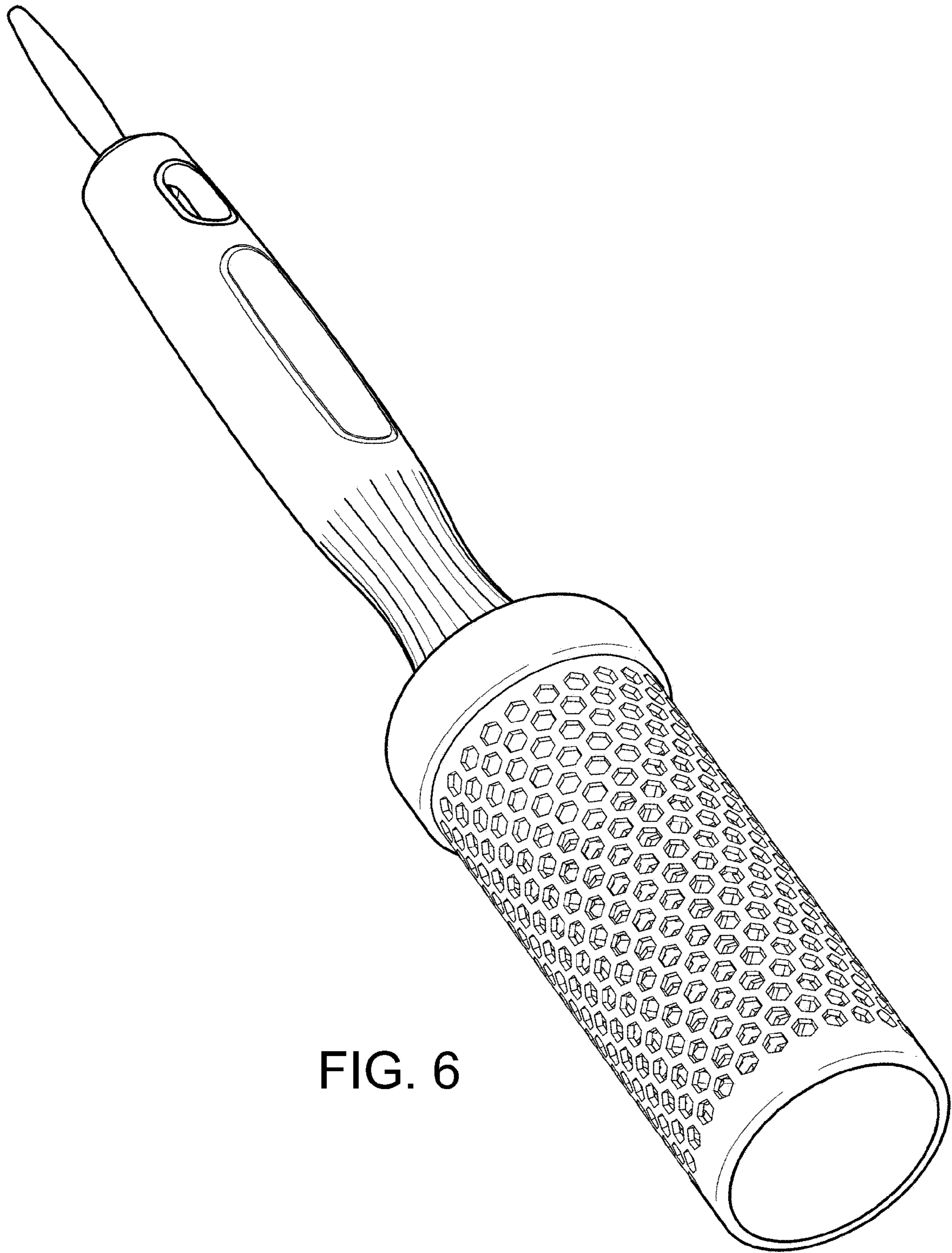


FIG. 6

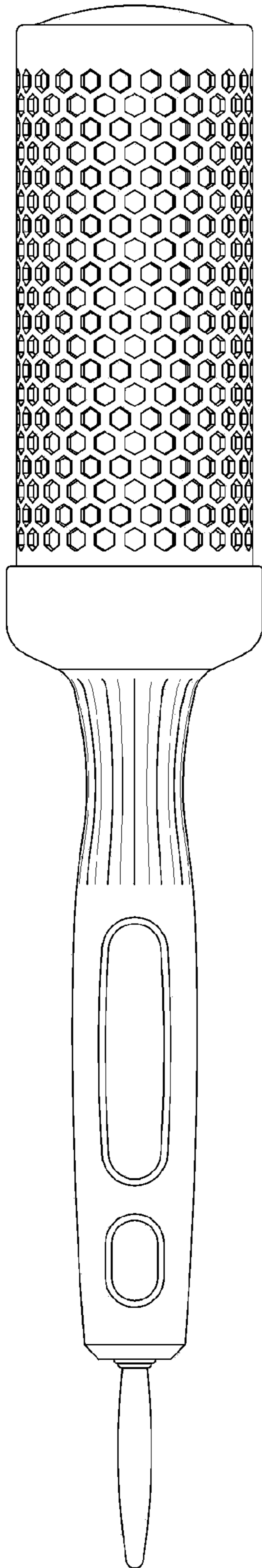


FIG. 7

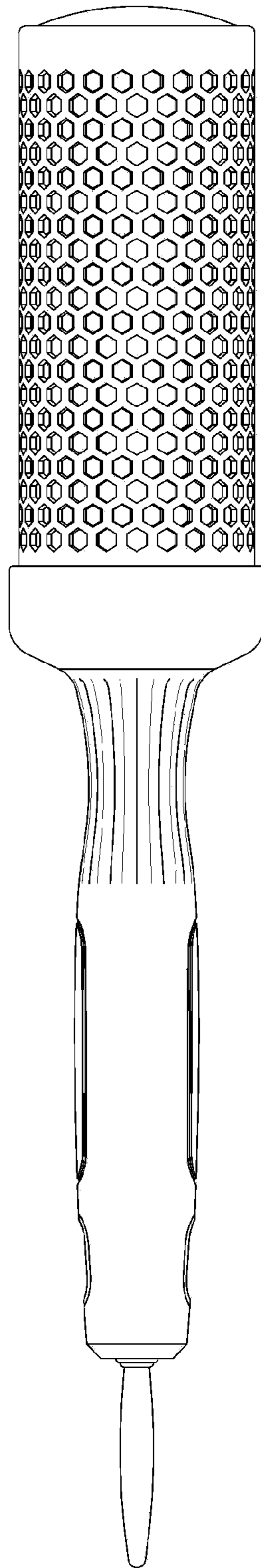


FIG. 8

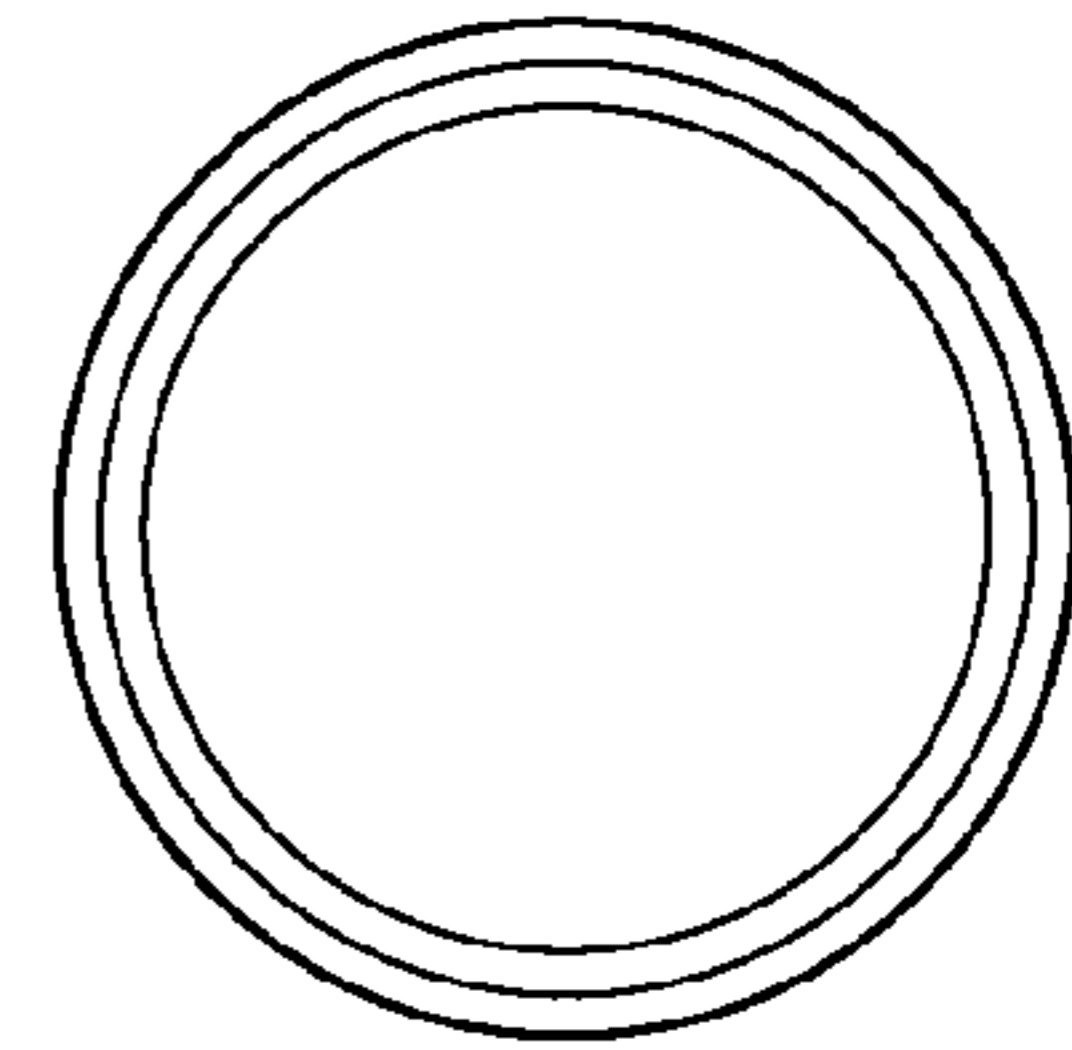


FIG. 9

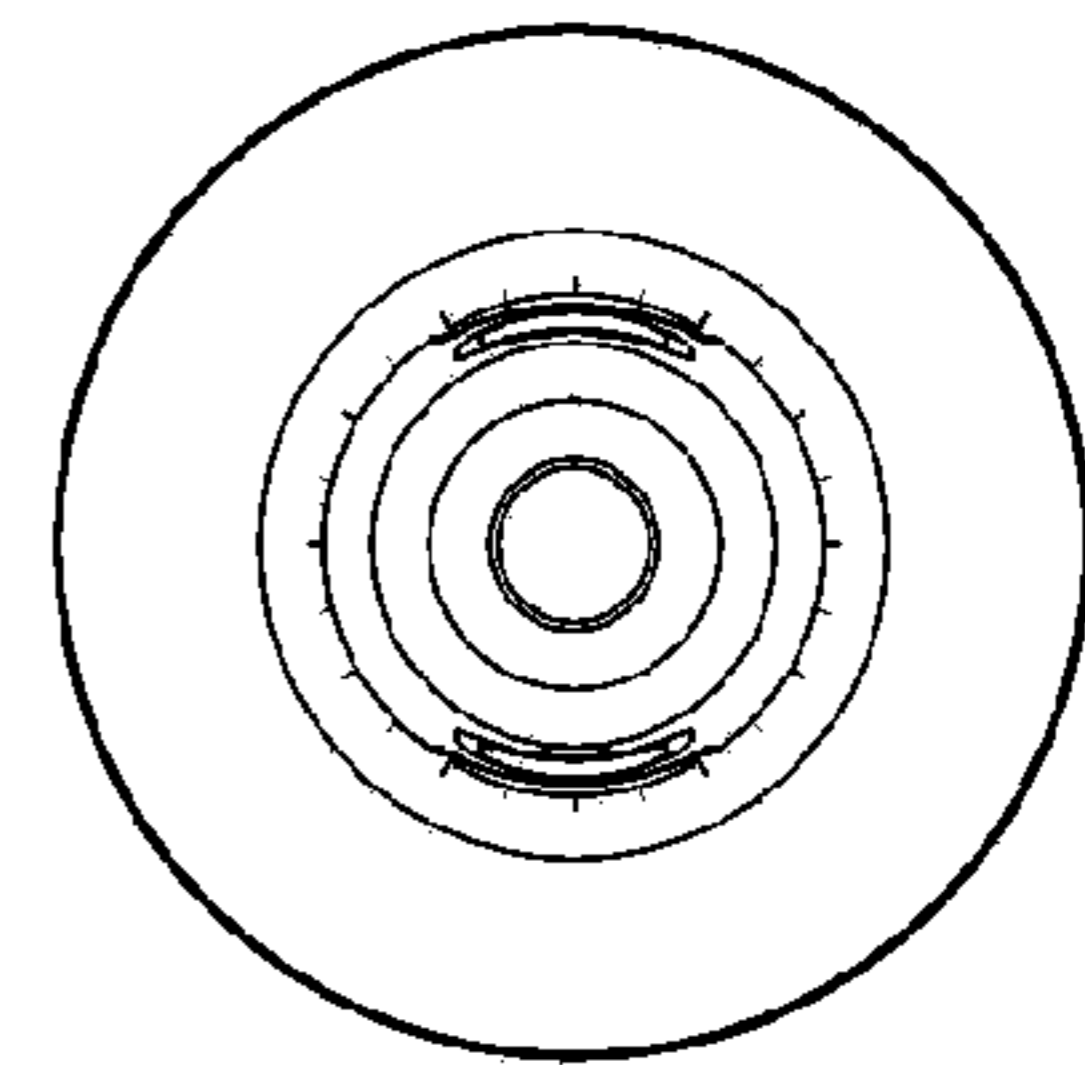


FIG. 10