



US00D646486S

(12) **United States Design Patent**  
**Konigsberg et al.**

(10) **Patent No.:** **US D646,486 S**  
(45) **Date of Patent:** **\*\* Oct. 11, 2011**

(54) **TETHER DEVICE**

(75) Inventors: **Jeffrey A. Konigsberg**, Armonk, NY (US); **Joan Lunden**, Armonk, NY (US)

(73) Assignee: **Kinderkord, LLC**, Armonk, NY (US)

(\*\*) Term: **14 Years**

(21) Appl. No.: **29/378,558**

(22) Filed: **Nov. 5, 2010**

**Related U.S. Application Data**

(62) Division of application No. 29/339,245, filed on Jun. 26, 2009, now Pat. No. Des. 630,018.

(51) **LOC (9) Cl.** ..... **03-01**

(52) **U.S. Cl.** ..... **D3/327**

(58) **Field of Classification Search** ..... D30/152;  
128/878; 119/770; 24/300; D10/30, 32;  
368/281

See application file for complete search history.

(56) **References Cited**

**U.S. PATENT DOCUMENTS**

4,688,564	A *	8/1987	Kelly	128/878
4,745,883	A *	5/1988	Baggetta	119/770
D351,349	S *	10/1994	Schechter	D10/32
5,546,962	A *	8/1996	Power	128/869
D426,065	S *	6/2000	Deveaux	D3/327

D430,957	S *	9/2000	Boucugnani et al.	D29/100
6,866,128	B2 *	3/2005	Moore et al.	191/12.4
D575,009	S *	8/2008	Murrell et al.	D30/152
D598,788	S *	8/2009	Cole	D10/32

\* cited by examiner

*Primary Examiner* — Holly Baynham

*Assistant Examiner* — Sheryl Lane

(74) *Attorney, Agent, or Firm* — Whyte Hirschboeck Dudek SC

(57) **CLAIM**

An ornamental design for a tether device, as shown and described.

**DESCRIPTION**

FIG. 1 is a perspective view of a tether device showing our new design;

FIG. 2 is a front elevation view thereof;

FIG. 3 is a rear elevation view thereof;

FIG. 4 is a right side view thereof;

FIG. 5 is a left side view thereof;

FIG. 6 is a top plan view thereof;

FIG. 7 is a bottom plan view thereof; and,

FIG. 8 is another perspective view of the tether device.

The broken line showing hands is included for the purpose of illustrating environment and forms no part of the claimed design.

**1 Claim, 5 Drawing Sheets**

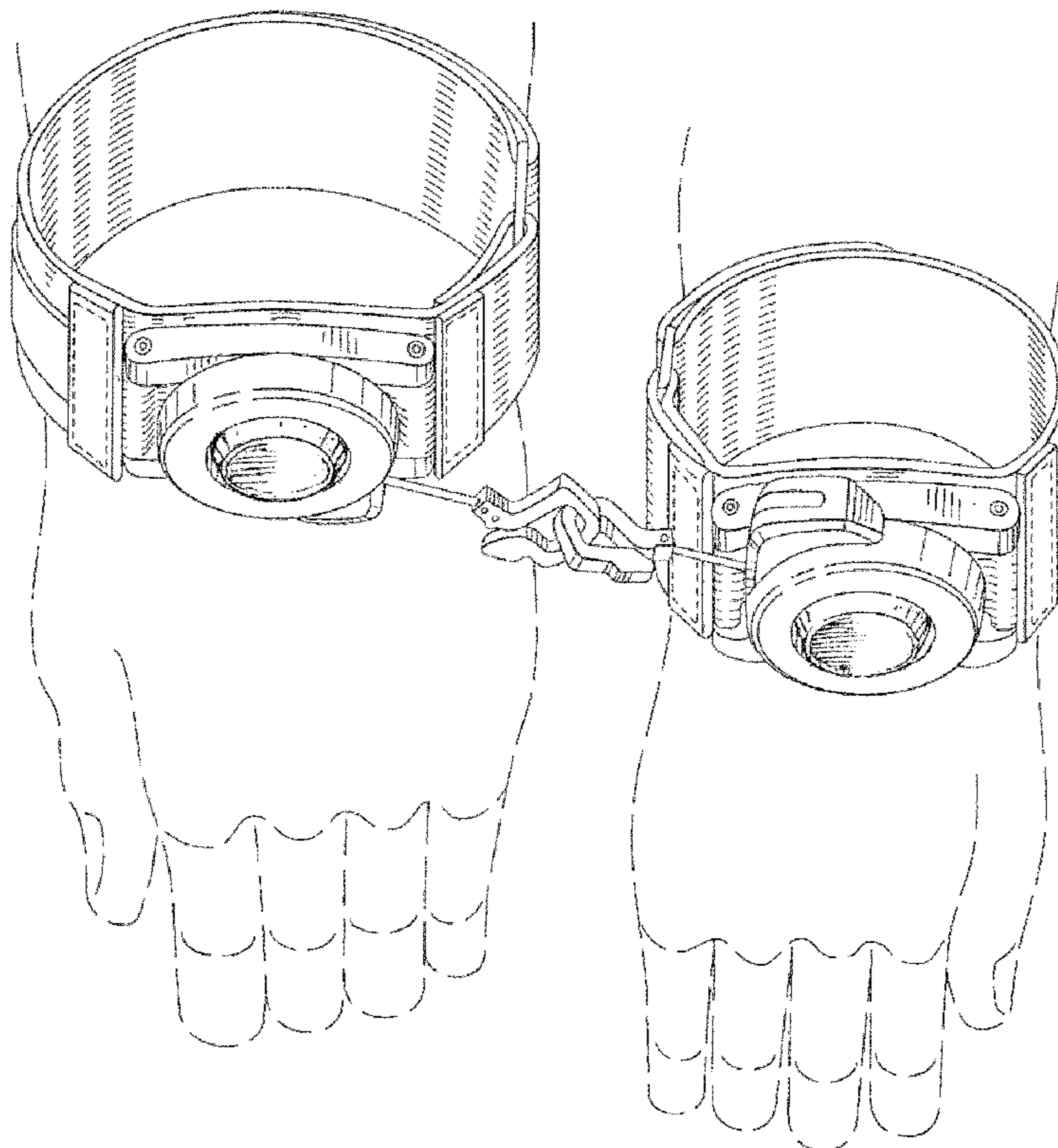


Fig. 1

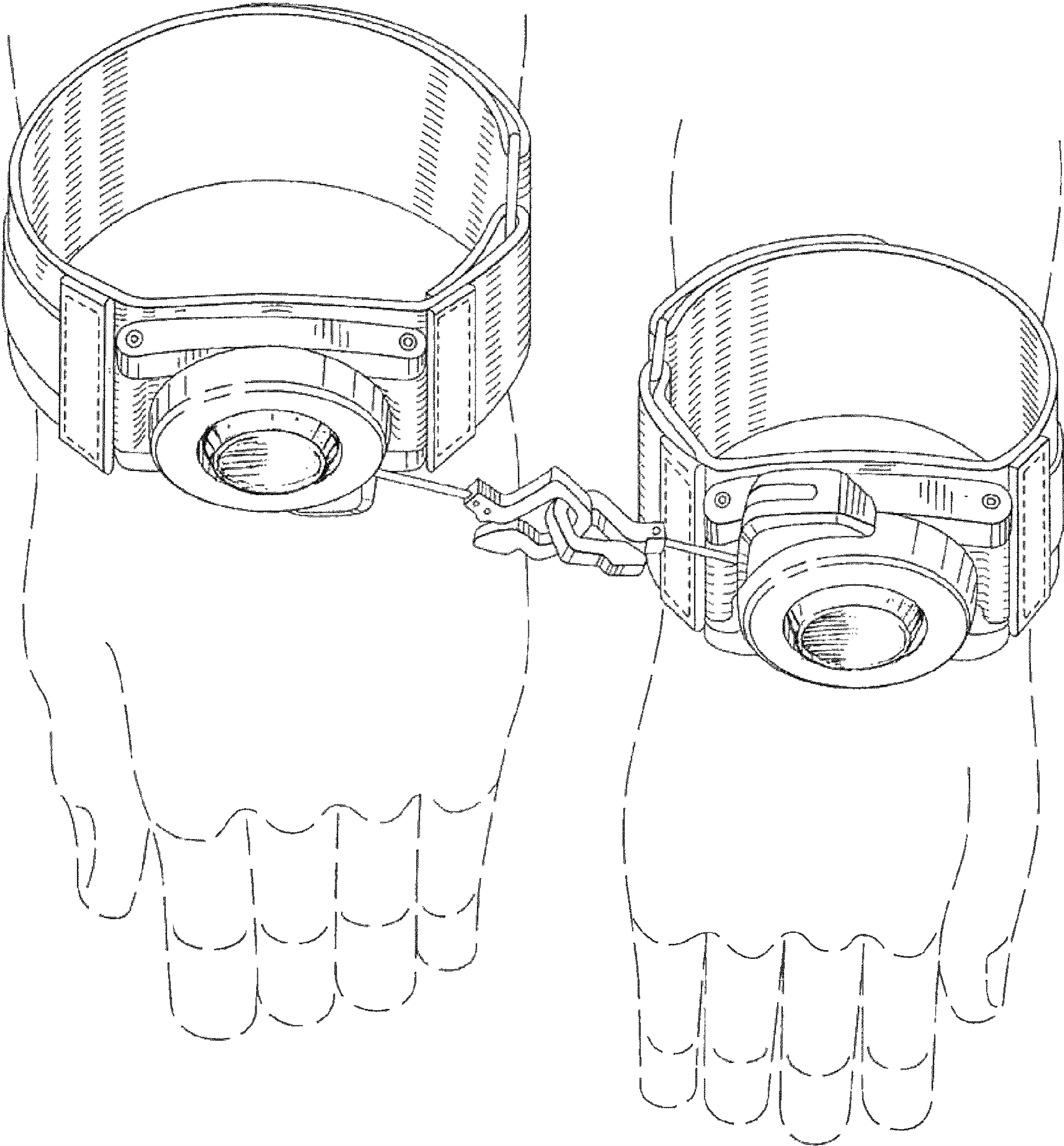


Fig. 2

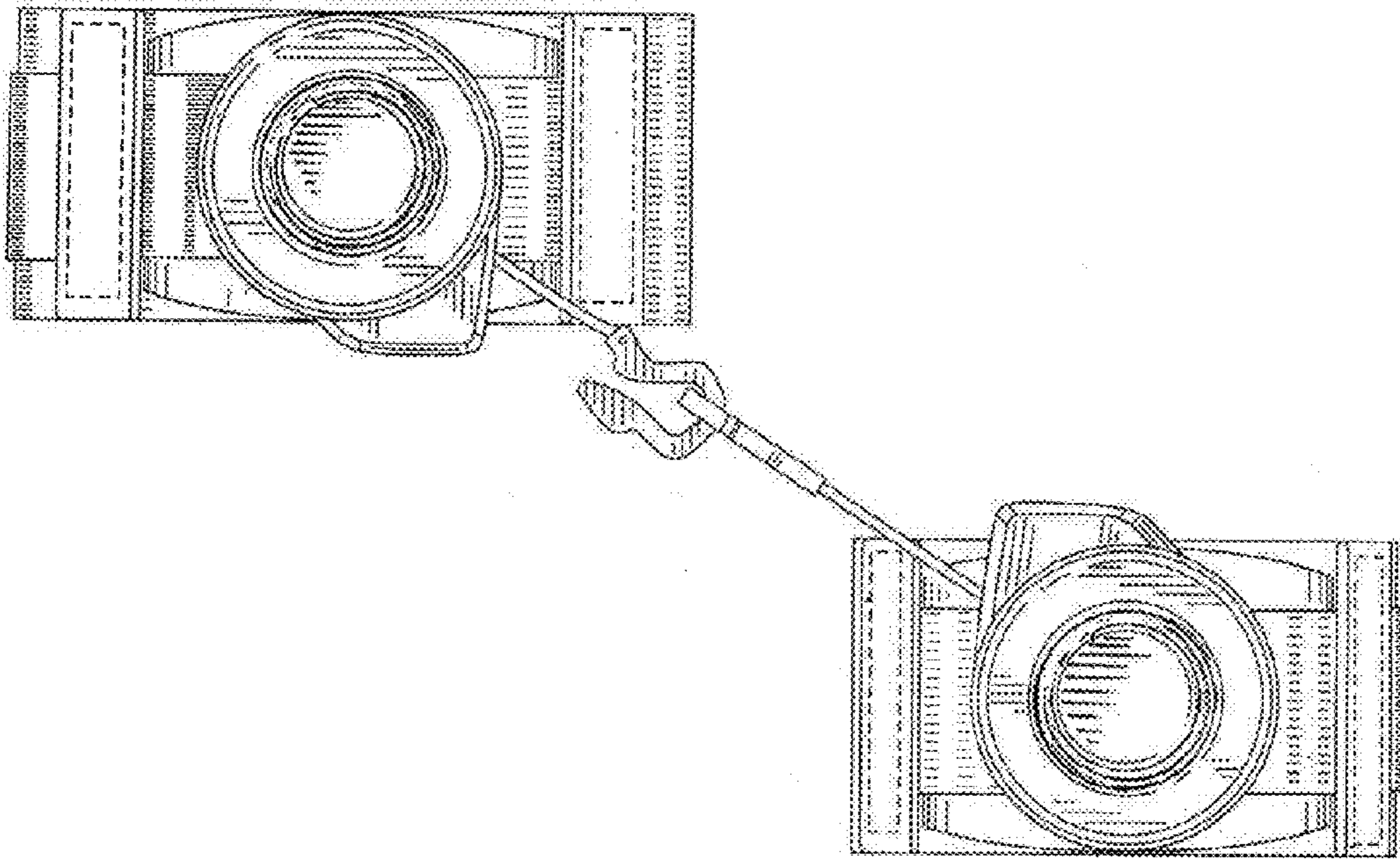


Fig. 3

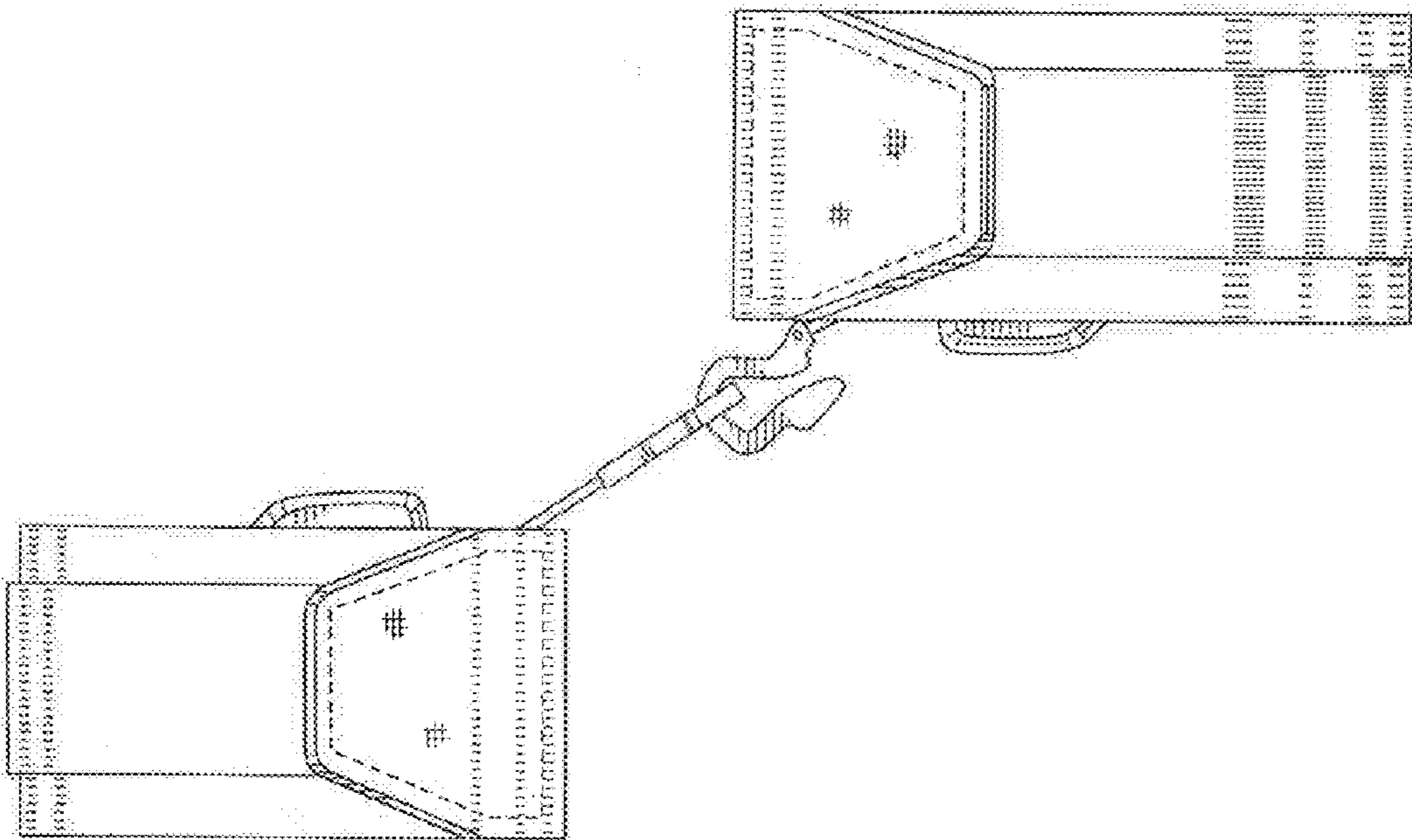


Fig. 4

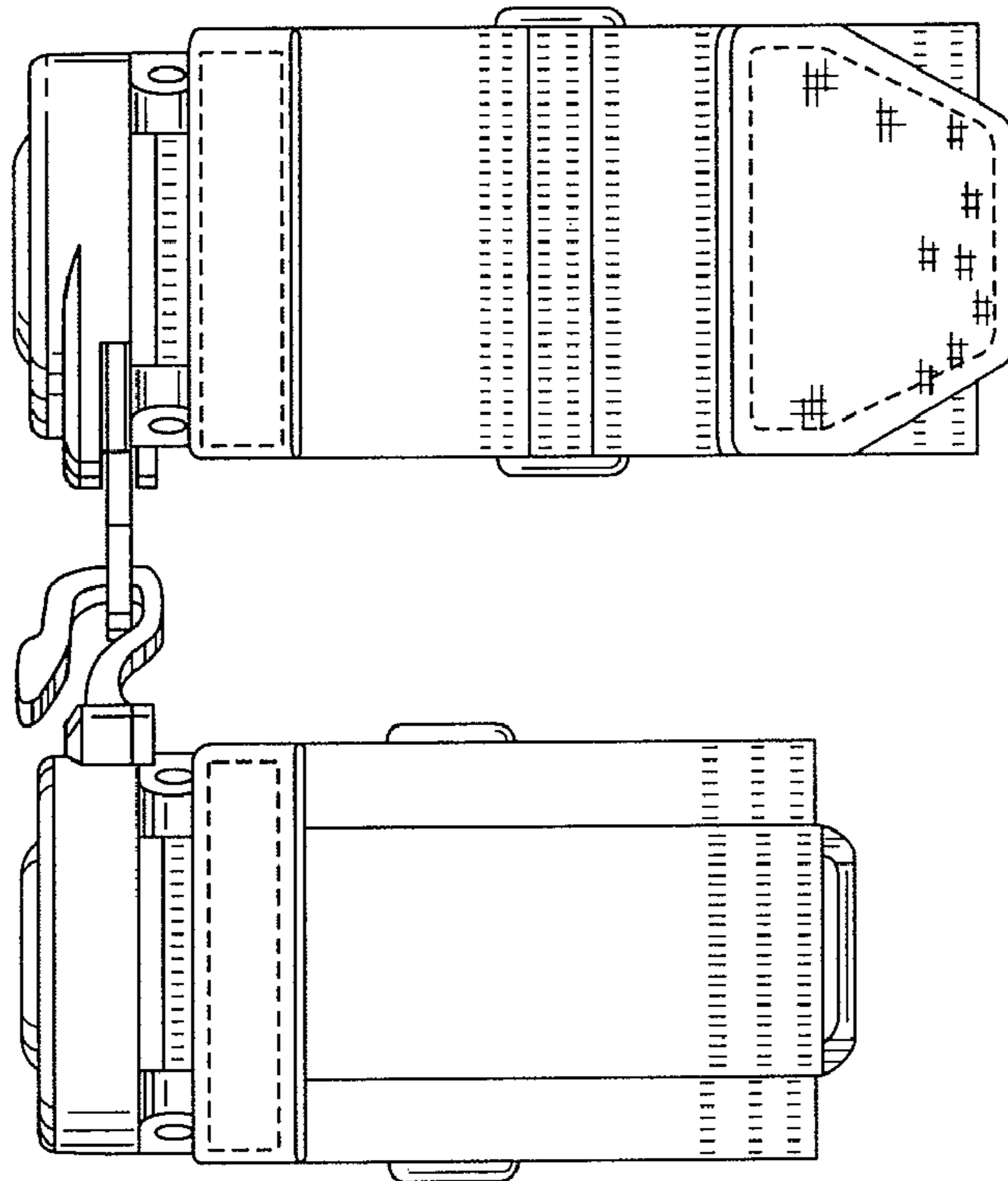


Fig. 5

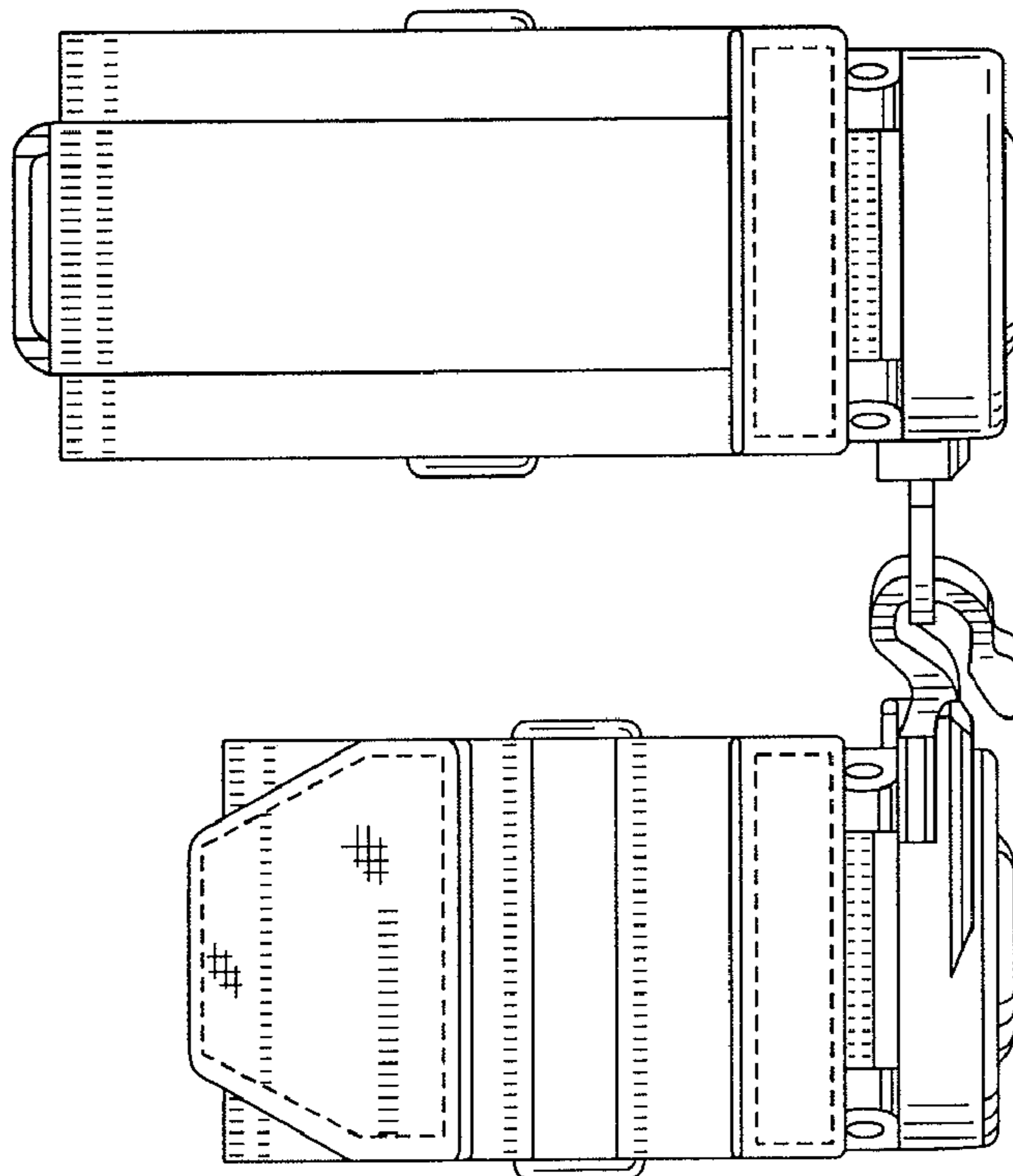


Fig. 6

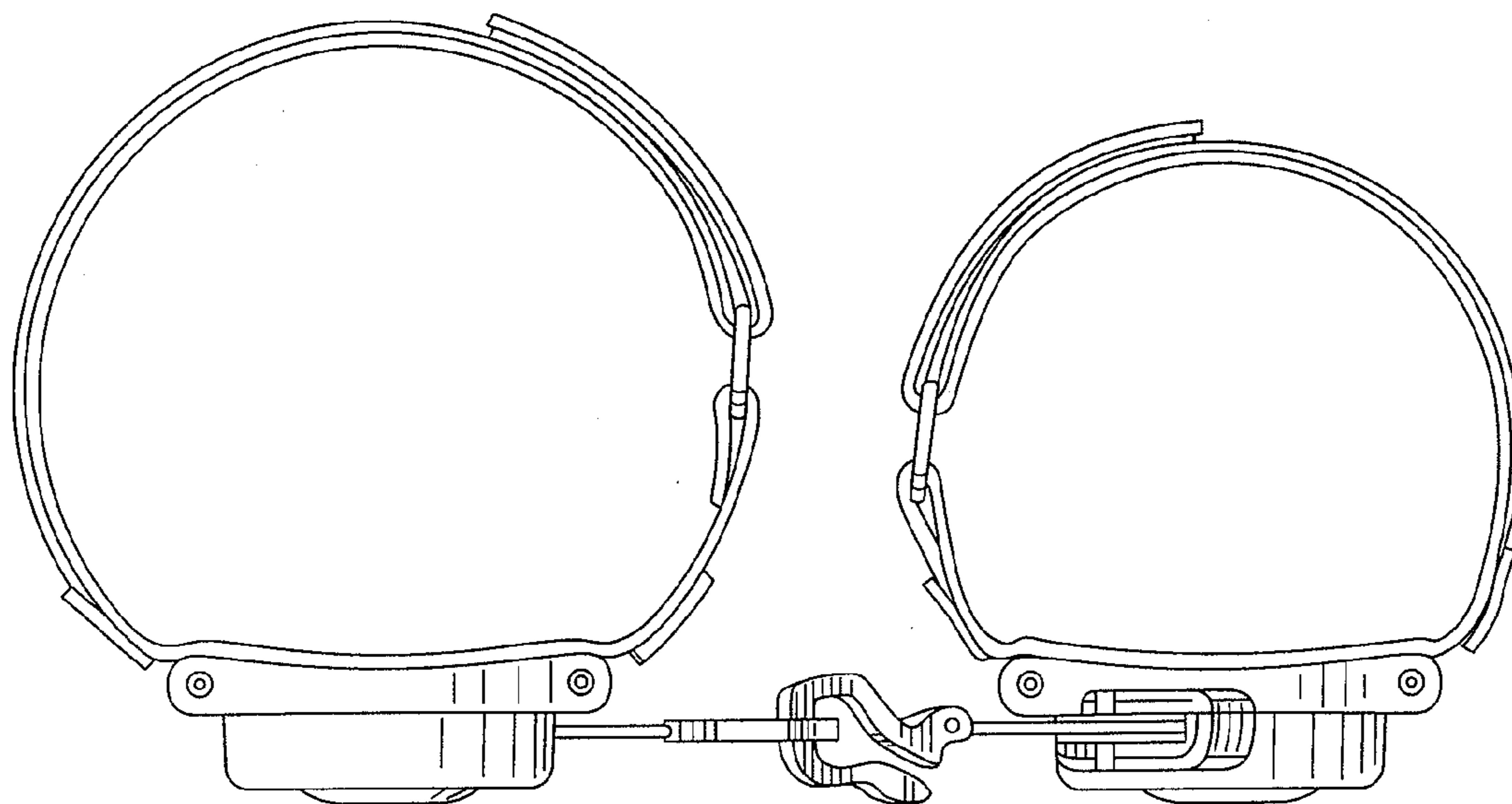


Fig. 7

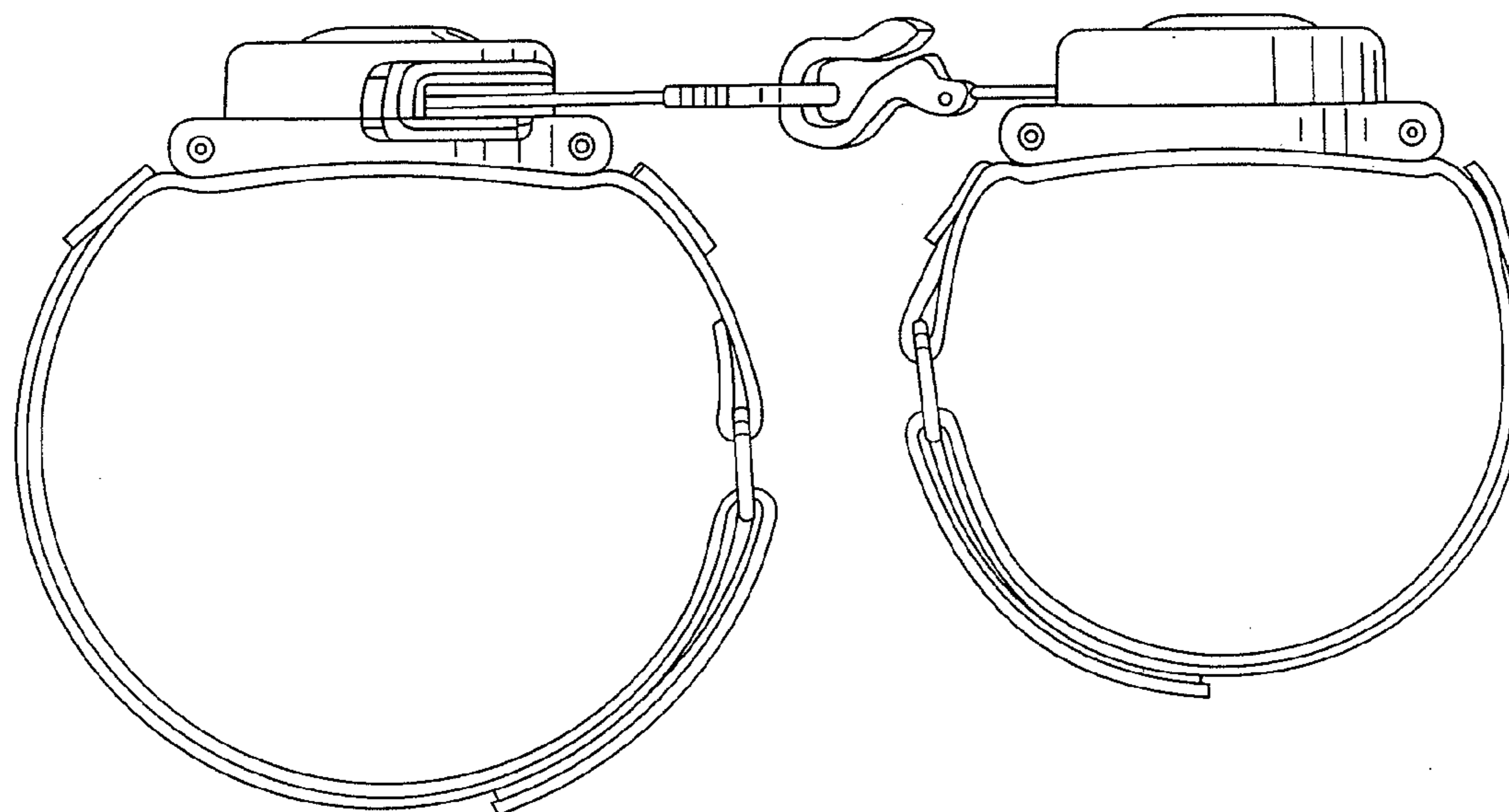


Fig. 8

