



US00D646484S

(12) **United States Design Patent**
Deguglimo et al.

(10) **Patent No.:** **US D646,484 S**

(45) **Date of Patent:** **** Oct. 11, 2011**

(54) **CASE**

(75) Inventors: **Joseph Deguglimo**, Boca Raton, FL
(US); **Glenn Robinson**, Coral Springs,
FL (US); **Rodrigo S. B. Lima**, Tamarac,
FL (US)

(73) Assignee: **IBT Holdings, LLC**, Deerfield Beach,
FL (US)

(**) Term: **14 Years**

(21) Appl. No.: **29/372,559**

(22) Filed: **Dec. 9, 2010**

(51) **LOC (9) Cl.** **03-01**

(52) **U.S. Cl.** **D3/281; D3/294**

(58) **Field of Classification Search** D3/254,
D3/260, 273, 276, 280, 283-291, 294, 302,
D3/301, 303, 905; 220/523, 524, 527; 206/349,
206/372-379; 190/109, 111, 115, 107, 126,
190/903

See application file for complete search history.

(56) **References Cited**

U.S. PATENT DOCUMENTS

D434,561 S * 12/2000 Vasudeva D3/282
RE38,905 E * 12/2005 Wei 206/373

D512,221 S * 12/2005 Allan et al. D3/282
D514,316 S * 2/2006 Allan et al. D3/282
D524,047 S * 7/2006 Tsai D3/281
D537,631 S * 3/2007 Kung D3/276
D628,384 S * 12/2010 McCarthy D3/289
D639,061 S * 6/2011 Molina et al. D3/282
2004/0188322 A1 * 9/2004 Chen 206/373
2010/0230313 A1 * 9/2010 Allan et al. 206/373

* cited by examiner

Primary Examiner — Jennifer Rivard

(74) *Attorney, Agent, or Firm* — Dan M. DeLaRosa

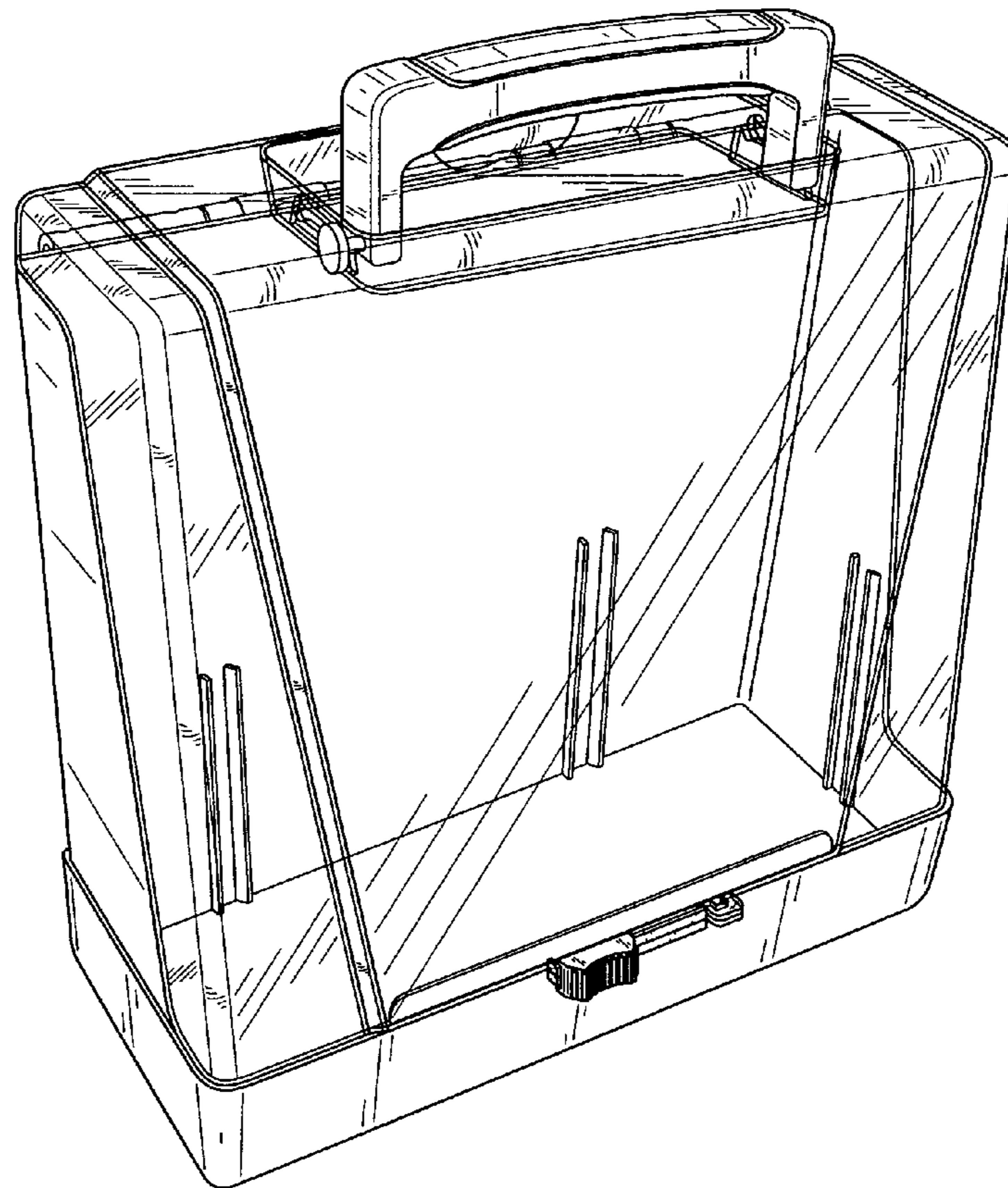
(57) **CLAIM**

The ornamental design for a case, as shown and described.

DESCRIPTION

FIG. 1 is a front perspective view of the case of the present invention in a closed position showing my new design; FIG. 2 is a front side elevational view thereof; FIG. 3 is a back side elevational view thereof; FIG. 4 is a side elevational view thereof; FIG. 5 is another side elevational view thereof; FIG. 6 is a top plan view thereof; FIG. 7 is a bottom plan view thereof; FIG. 8 is a front perspective view of the case in an opened position; and, FIG. 9 is a back perspective view of the case in an opened position.

1 Claim, 7 Drawing Sheets



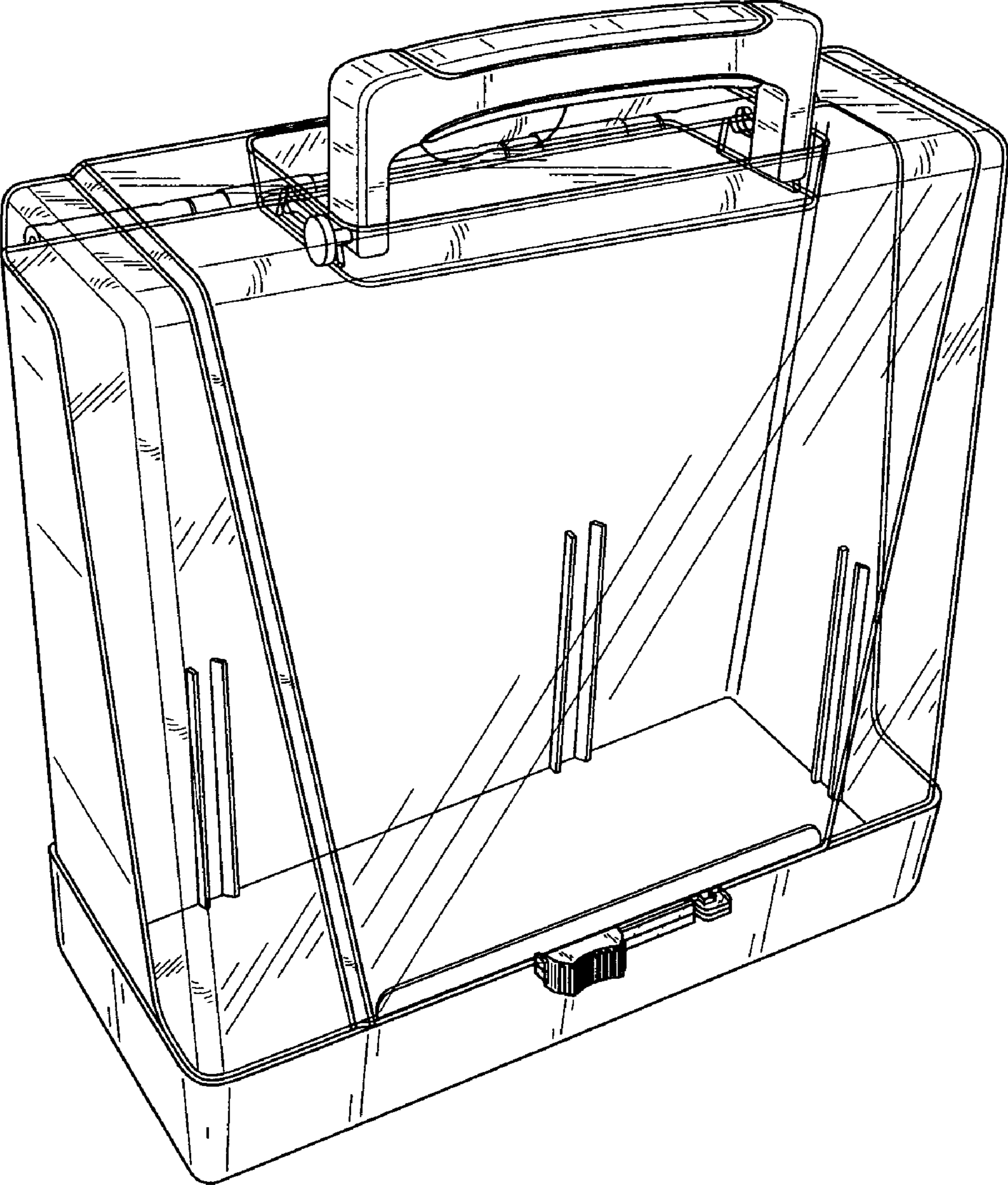


FIG. 1

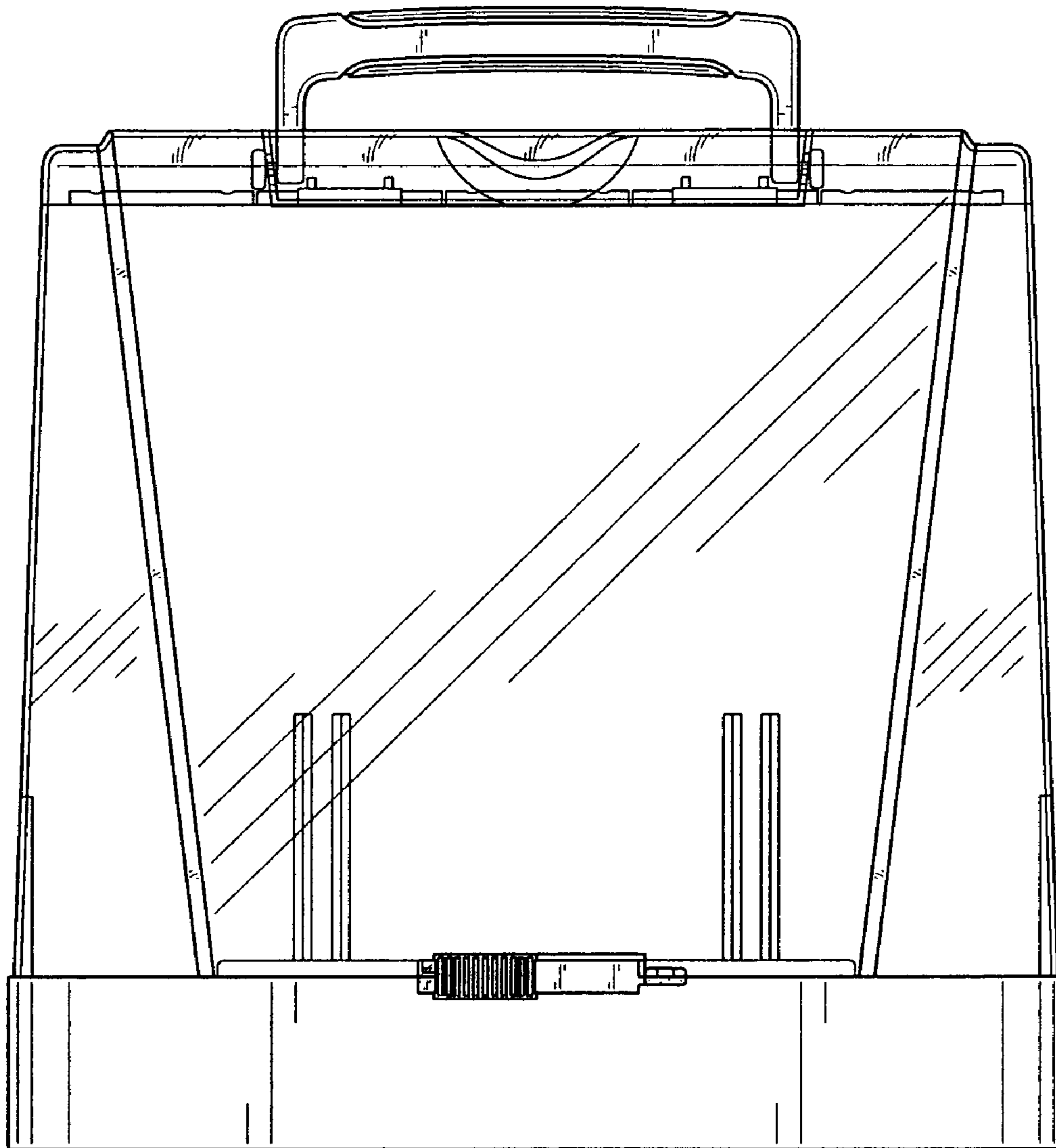


FIG. 2

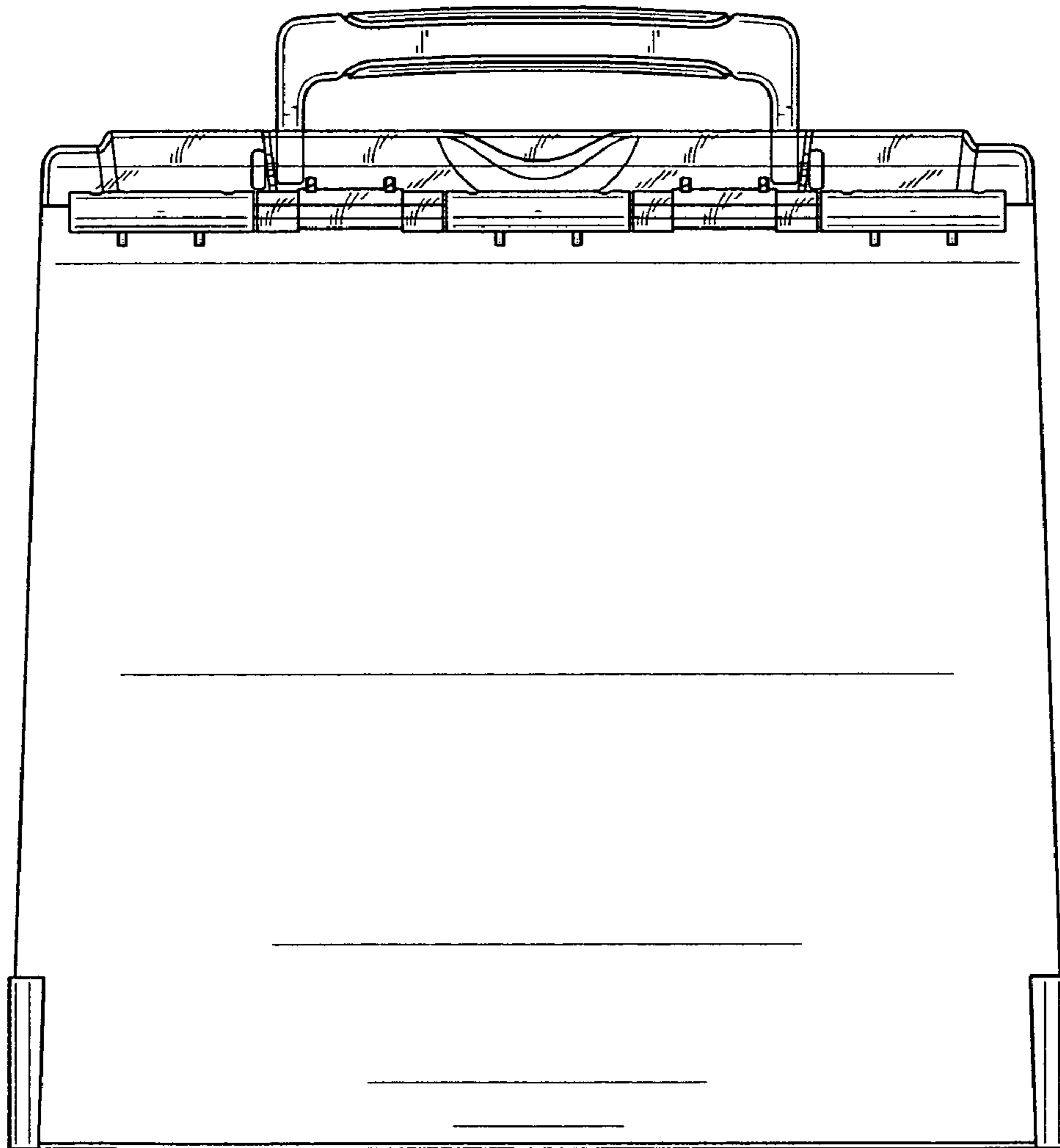


FIG. 3

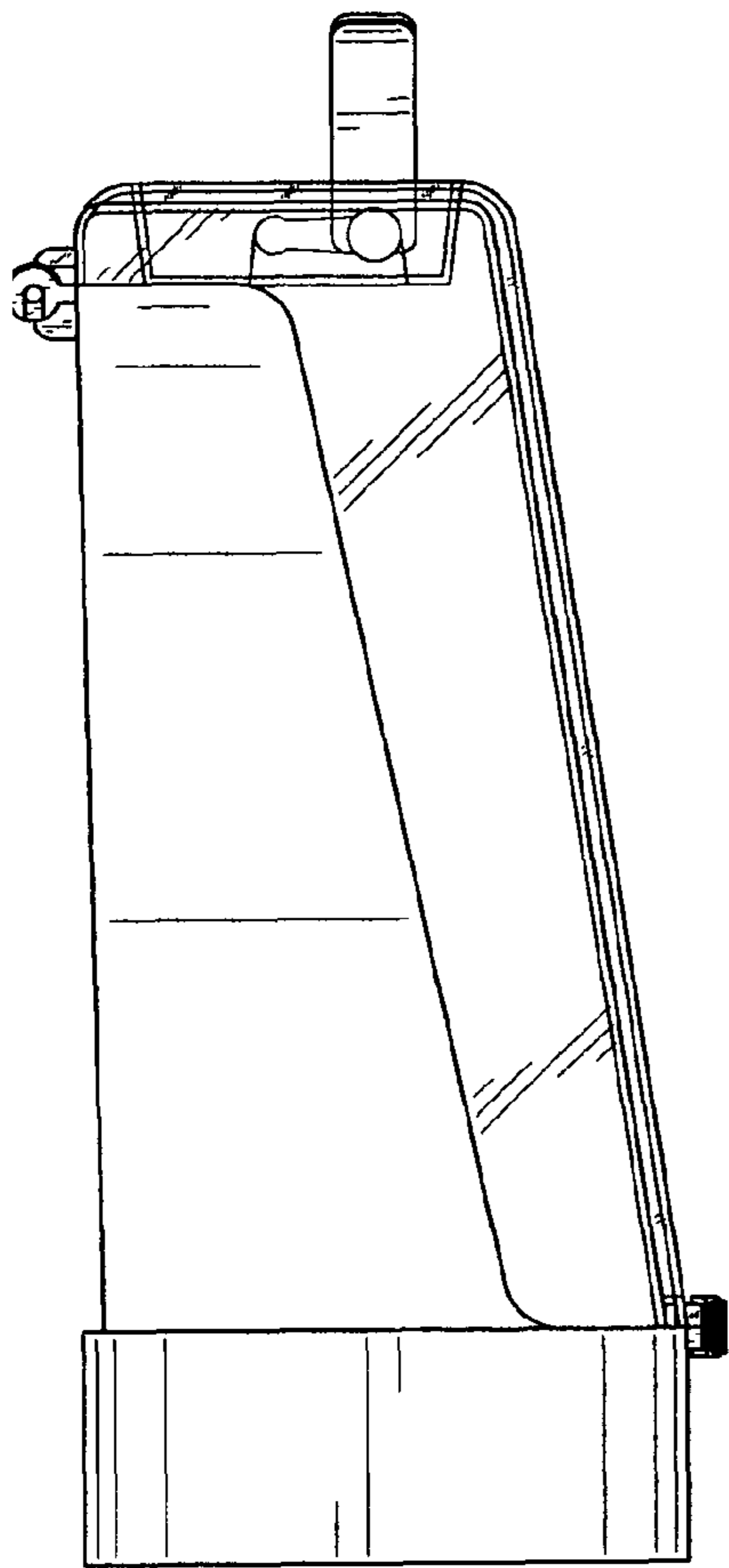


FIG. 4

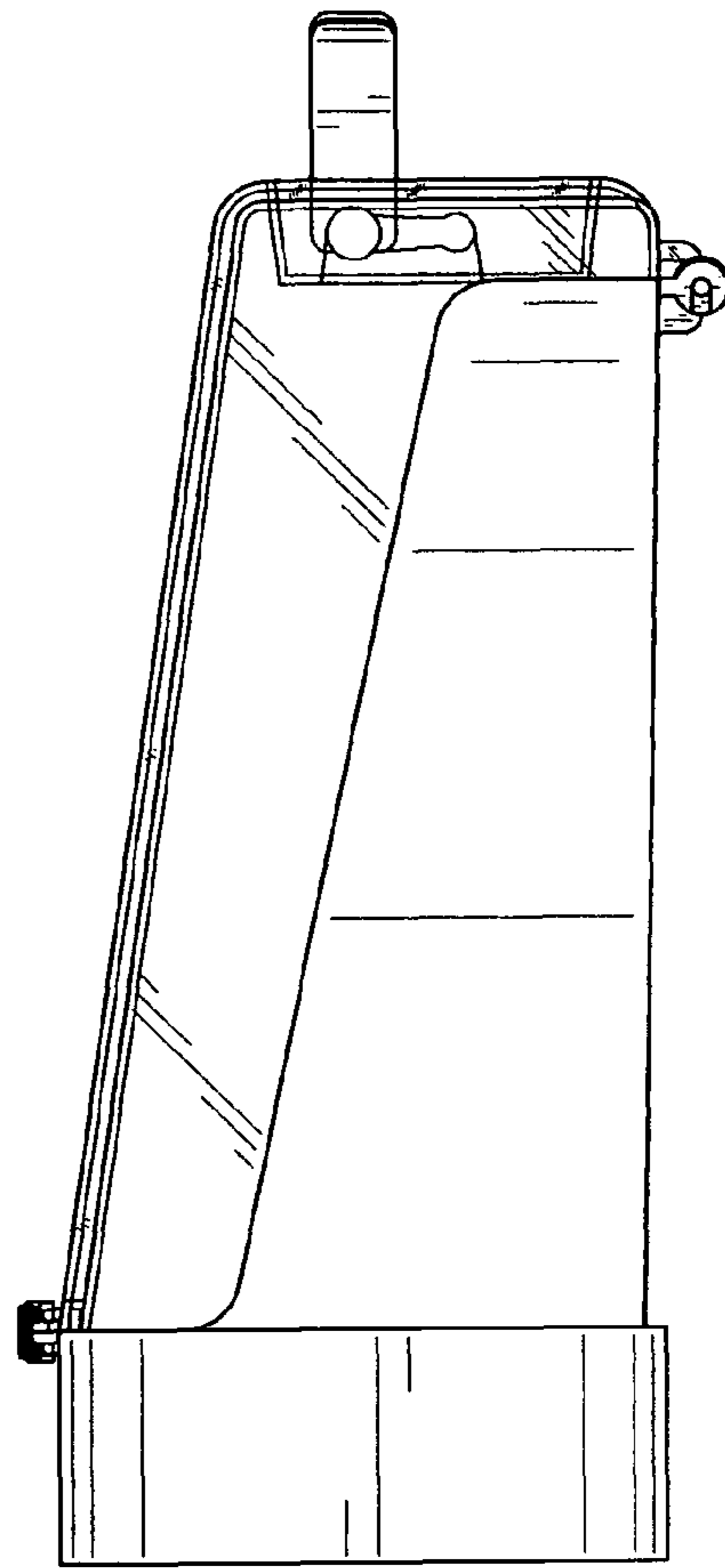


FIG. 5

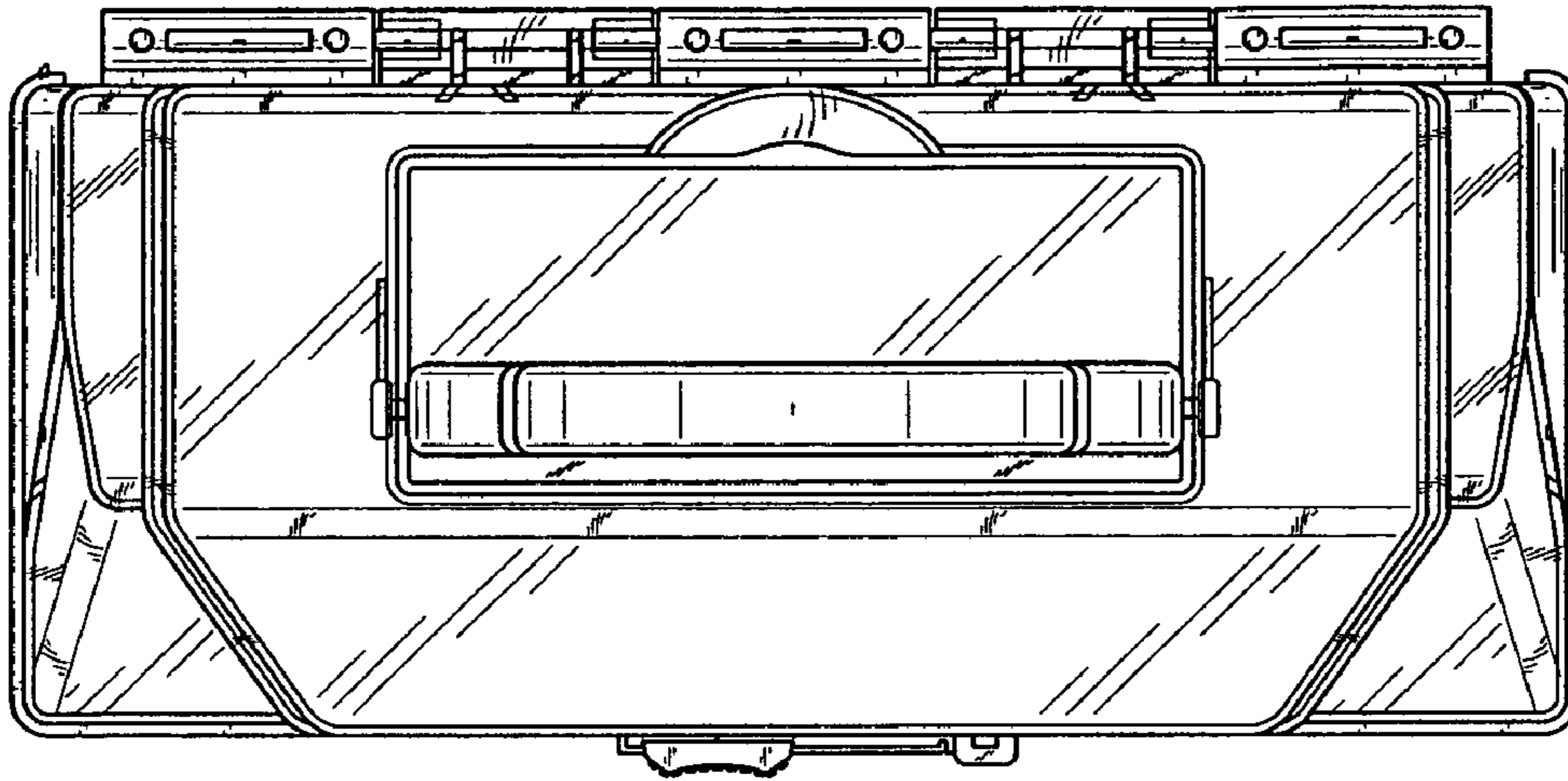


FIG. 6

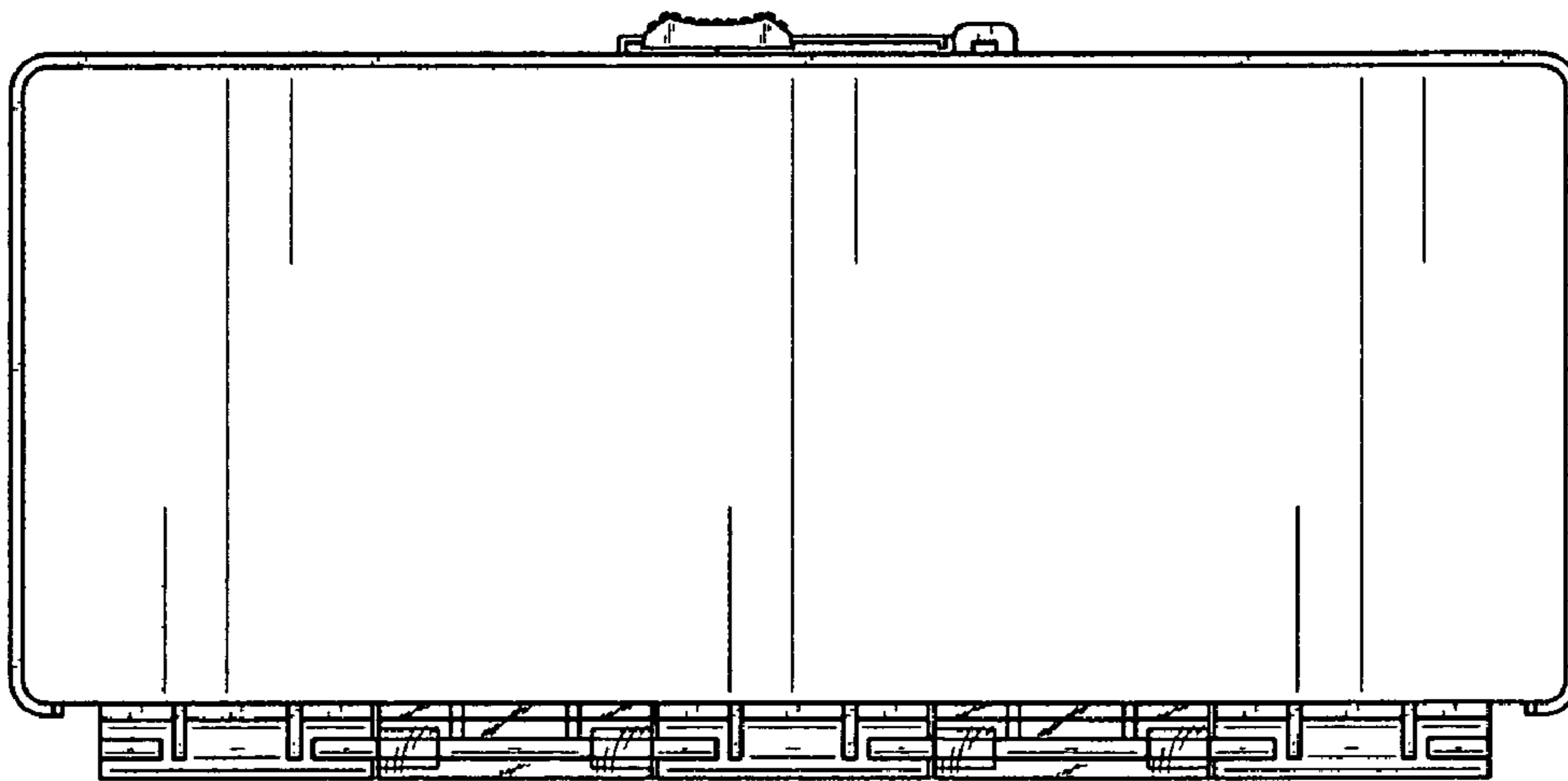


FIG. 7

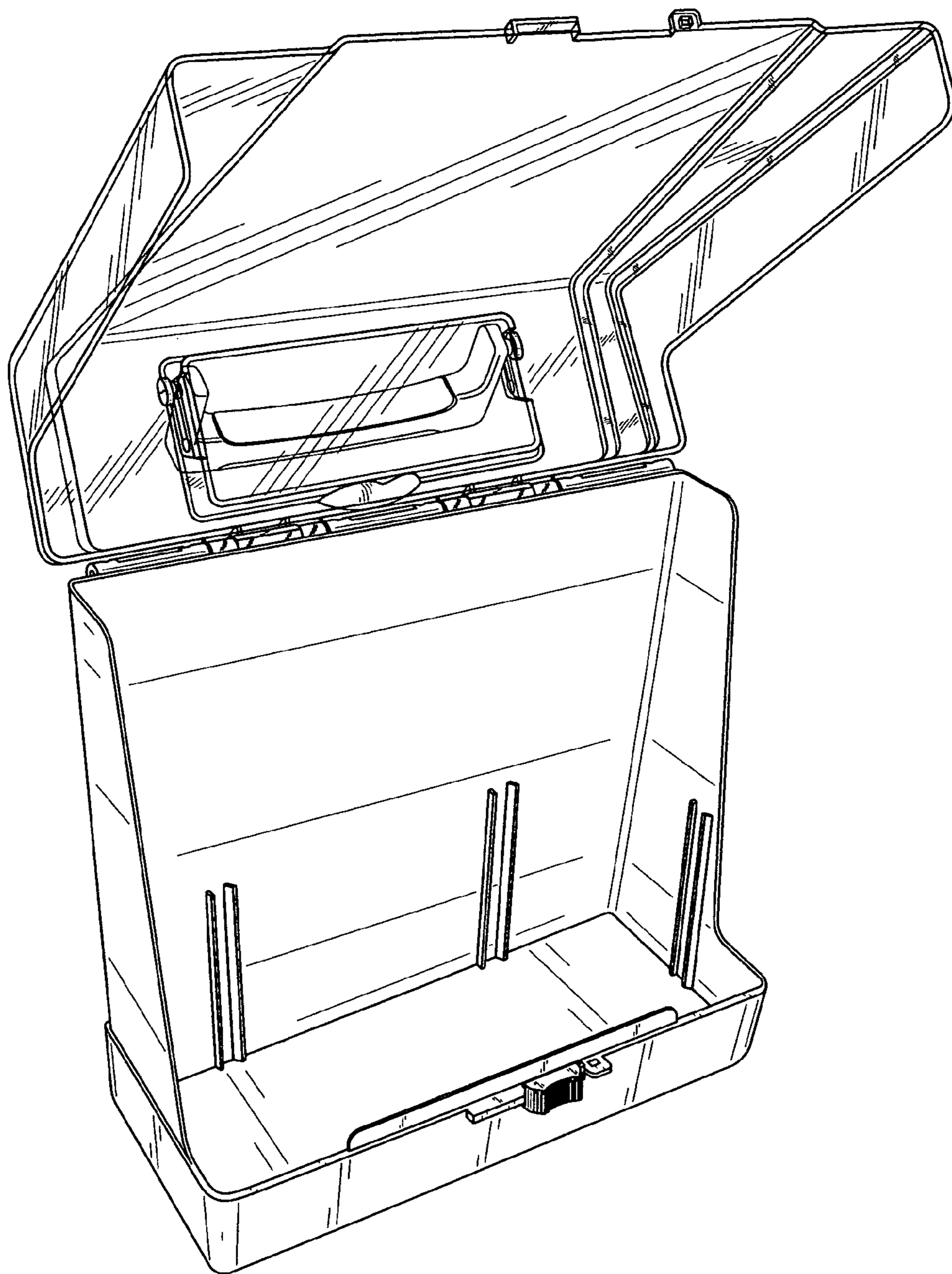


FIG. 8

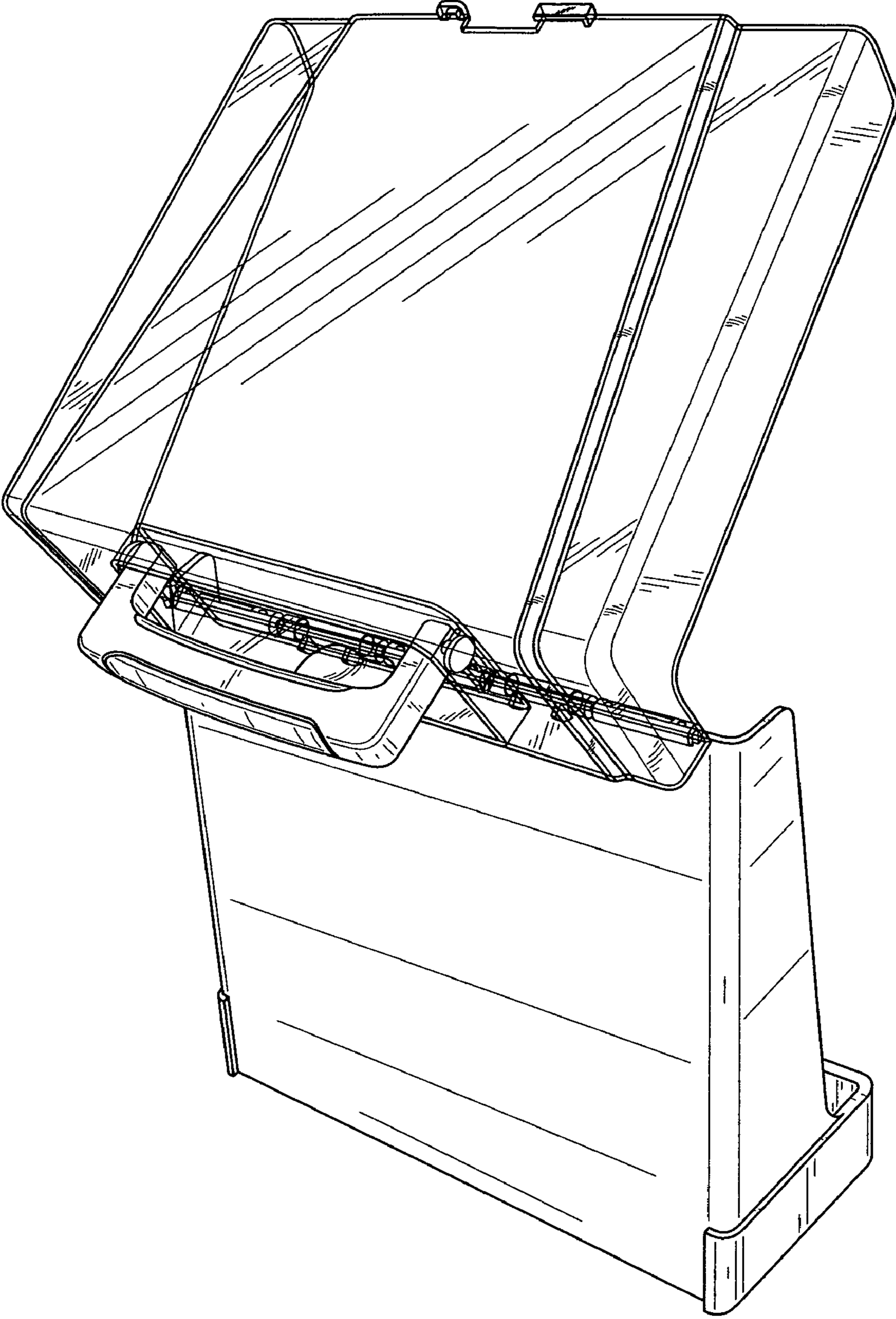


FIG. 9