



US00D646476S

(12) **United States Design Patent**
Chen

(10) **Patent No.:** **US D646,476 S**

(45) **Date of Patent:** **** Oct. 11, 2011**

(54) **FOOTWEAR WELT**

(75) Inventor: **Eddie Chen**, Tai-Chung (TW)

(73) Assignee: **C2 Corporation**, Tai-Chung (TW)

(**) Term: **14 Years**

(21) Appl. No.: **29/361,399**

(22) Filed: **May 11, 2010**

(51) **LOC (9) Cl.** **02-99**

(52) **U.S. Cl.** **D2/977**

(58) **Field of Classification Search** D2/946,
D2/977; 36/57, 78
See application file for complete search history.

(56) **References Cited**

U.S. PATENT DOCUMENTS

D163,559	S	*	6/1951	Batchelder, Jr.	D2/977
D163,560	S	*	6/1951	Batchelder, Jr.	D2/977
2,753,636	A	*	7/1956	Withington, Jr.	36/78
3,623,174	A	*	11/1971	Greene et al.	36/78
4,651,443	A	*	3/1987	Eckstrom	36/78
D377,561	S	*	1/1997	McClelland	D2/977
D422,133	S	*	4/2000	Ho	D2/977

* cited by examiner

Primary Examiner — Dominic Simone

(74) *Attorney, Agent, or Firm* — Alston & Bird LLP

(57) **CLAIM**

The ornamental design for a footwear welt, as shown and described.

DESCRIPTION

FIG. 1 is a perspective view of an embodiment of a footwear welt showing my new design;

FIG. 2 is a front elevation view thereof;

FIG. 3 is a rear elevation view thereof;

FIG. 4 is a left side elevation view thereof;

FIG. 5 is a right side elevation view thereof;

FIG. 6 is a top plan view thereof;

FIG. 7 is a bottom plan view thereof;

FIG. 8 is a right side cross-section view thereof from between two stitches;

FIG. 9 is perspective view of another embodiment of a footwear welt showing my new design;

FIG. 10 is a front elevation view thereof;

FIG. 11 is a rear elevation view thereof;

FIG. 12 is a left side elevation view thereof;

FIG. 13 is a right side elevation view thereof;

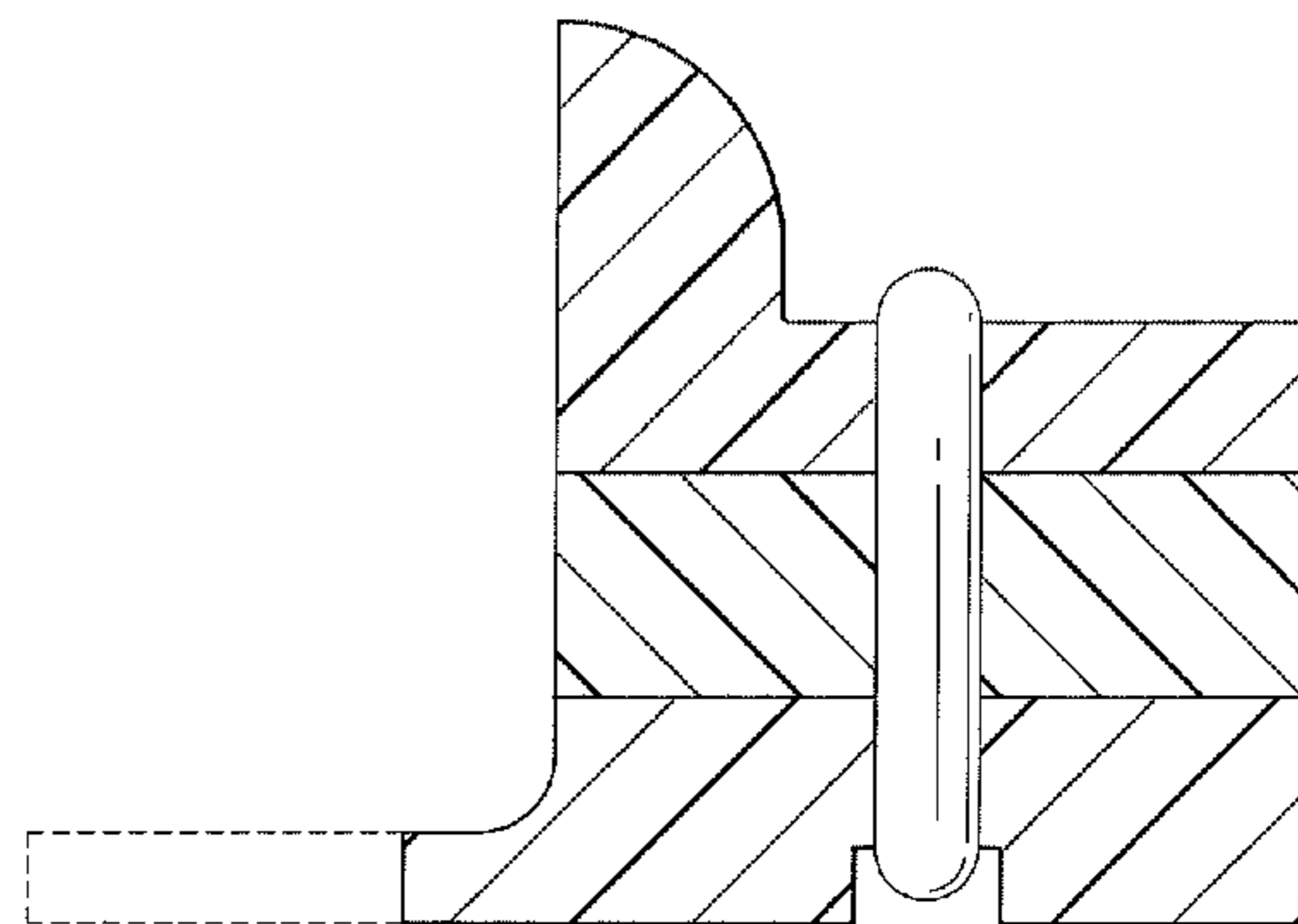
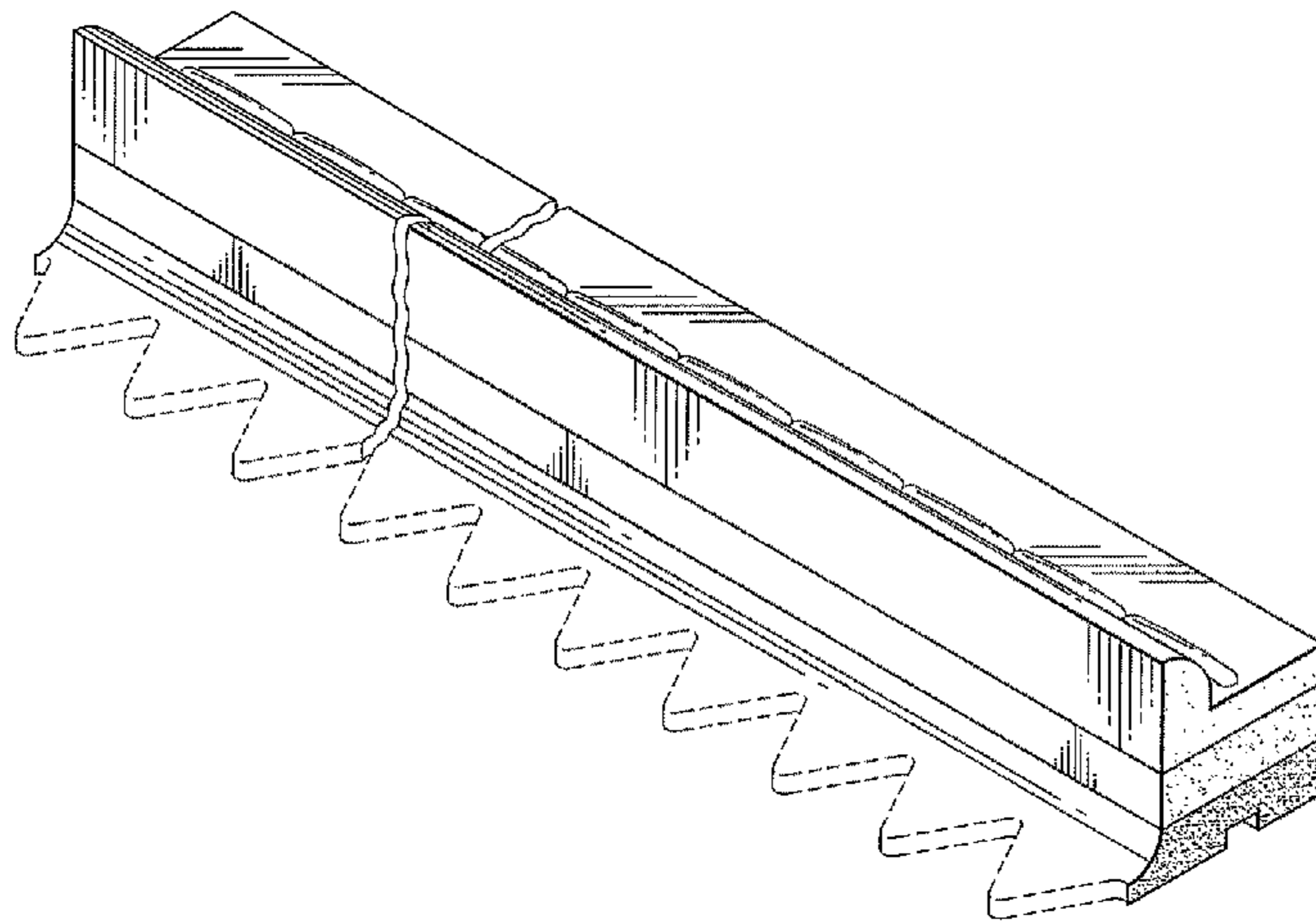
FIG. 14 is a top plan view thereof;

FIG. 15 is a bottom plan view thereof; and,

FIG. 16 is a right side cross-section view thereof from between two stitches.

The broken lines immediately adjacent solid lines represent bounds of the claimed design and environment while all other broken lines are directed to environment and are for illustrative purposes only. The broken lines form no part of the claimed design. The indefinite lengths and ends are unclaimed. The configurations of material shading contrasts are unclaimed.

1 Claim, 10 Drawing Sheets



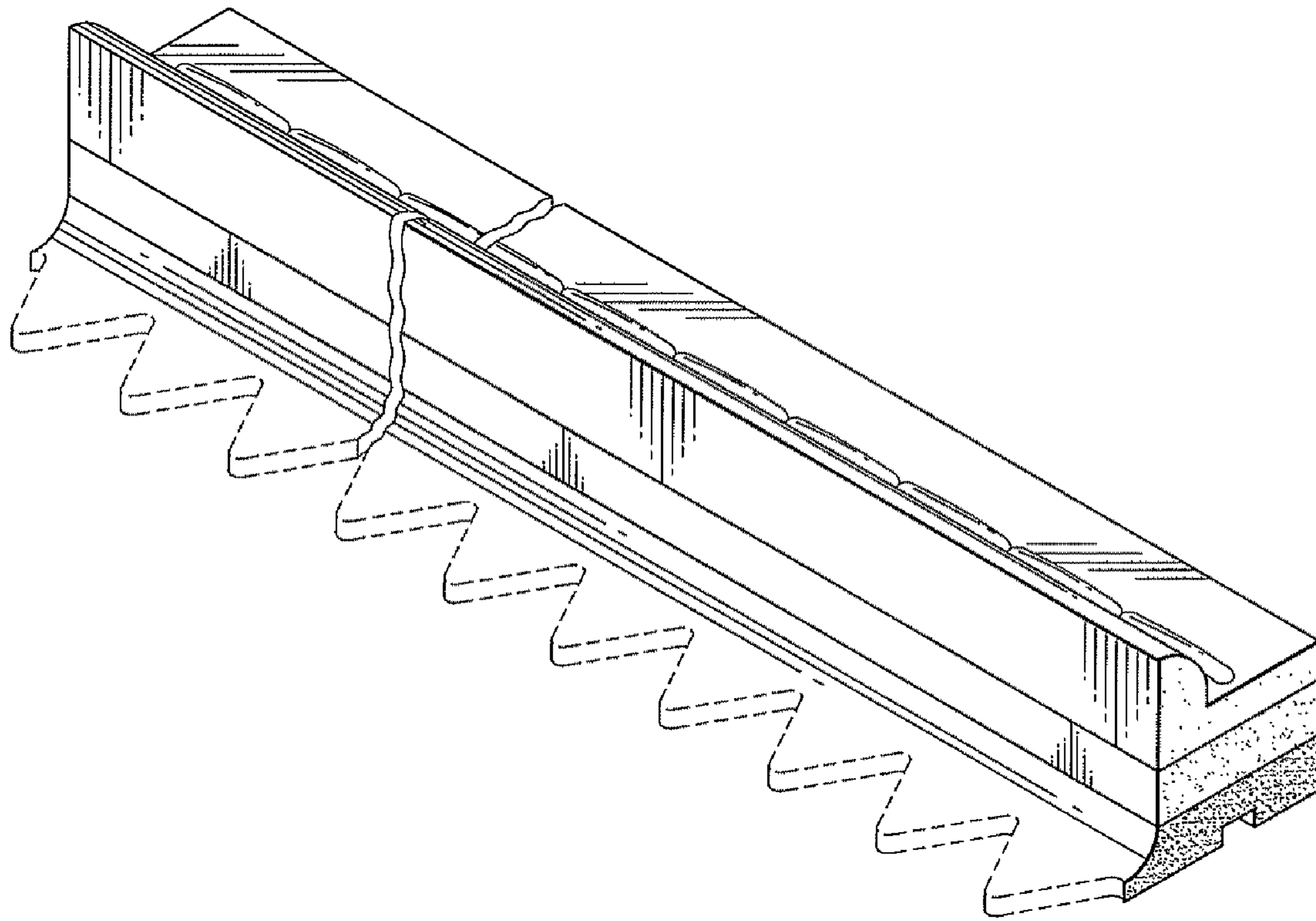


FIG. 1

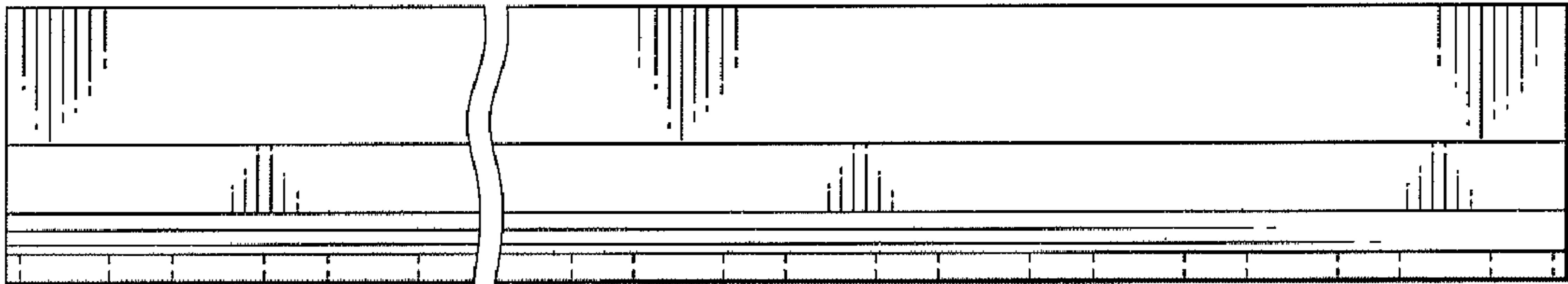


FIG. 2

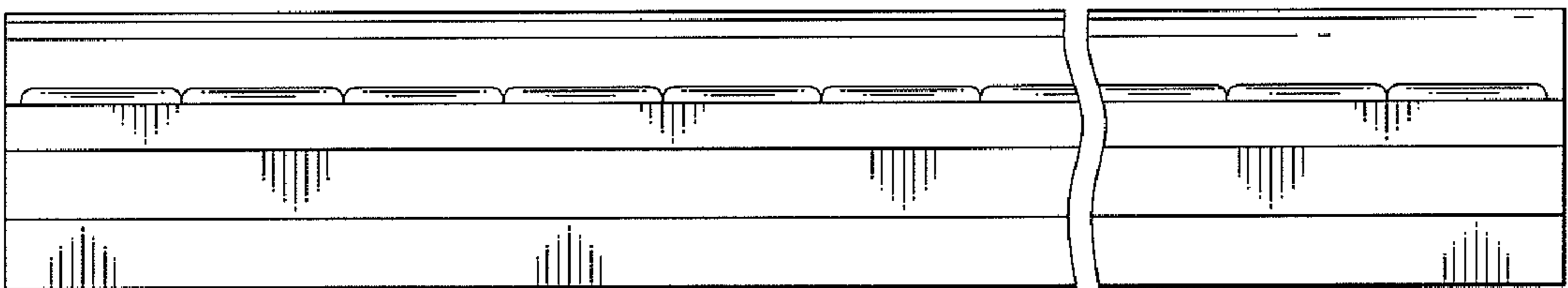


FIG. 3

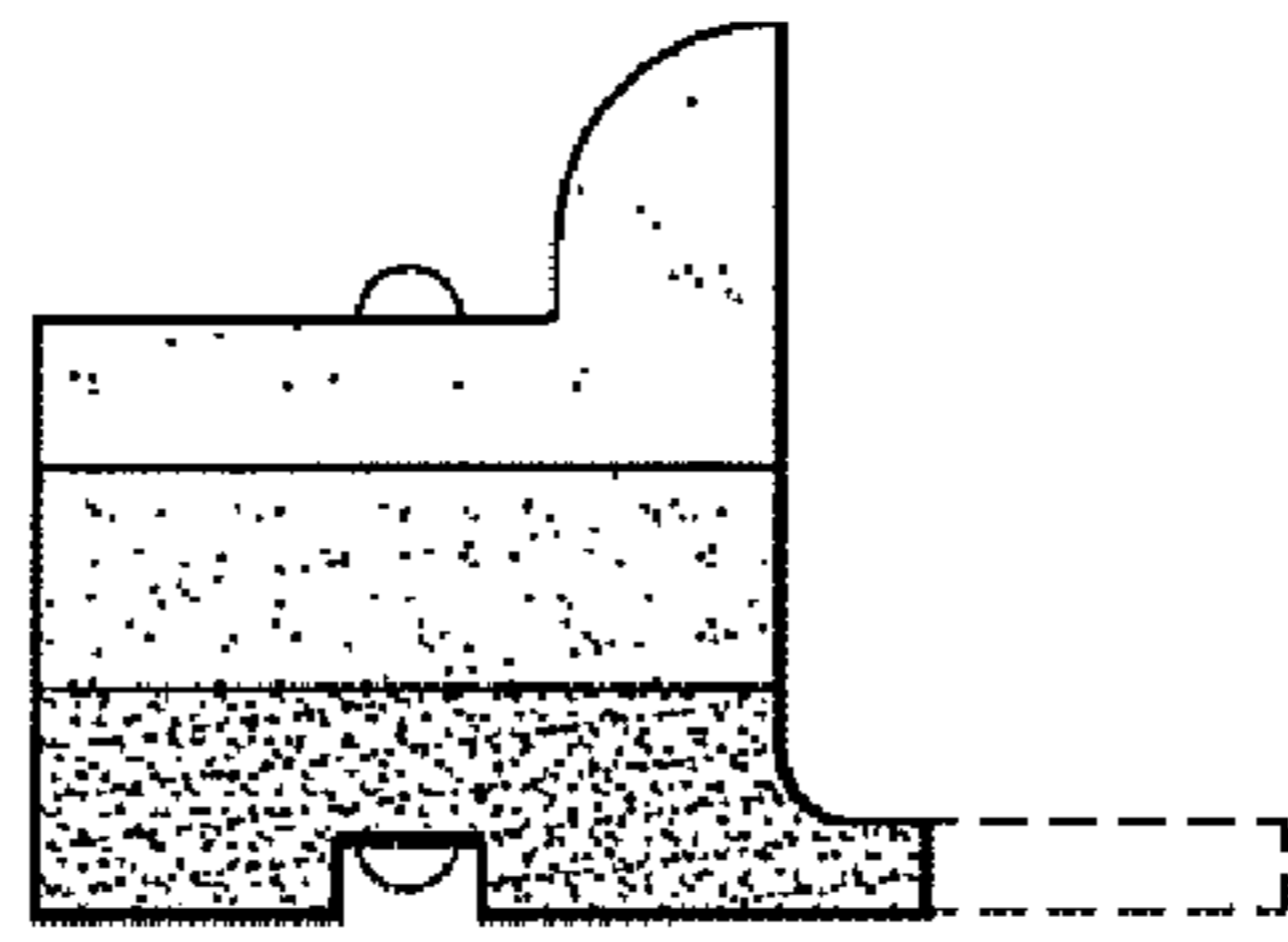


FIG. 4

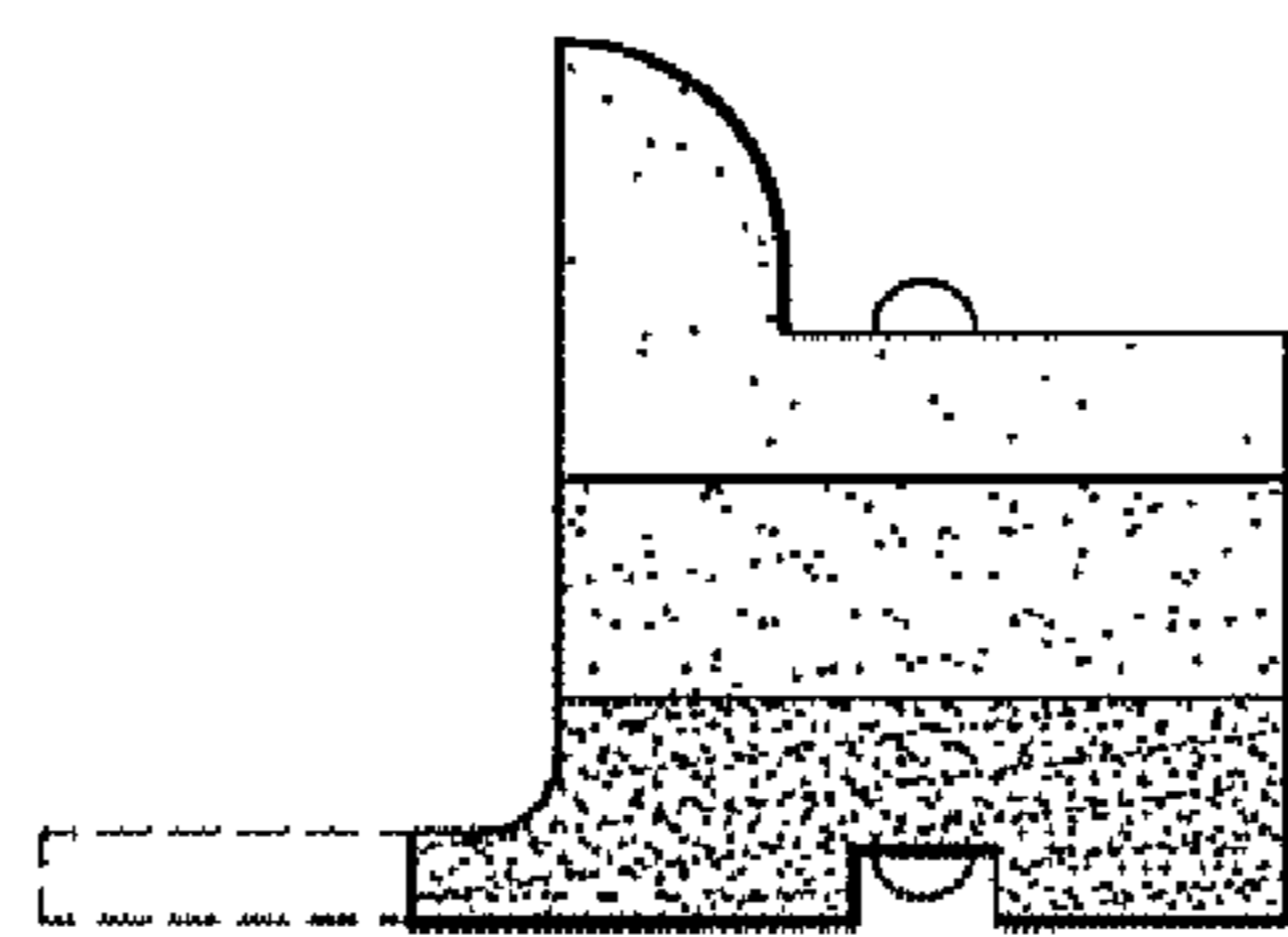


FIG. 5

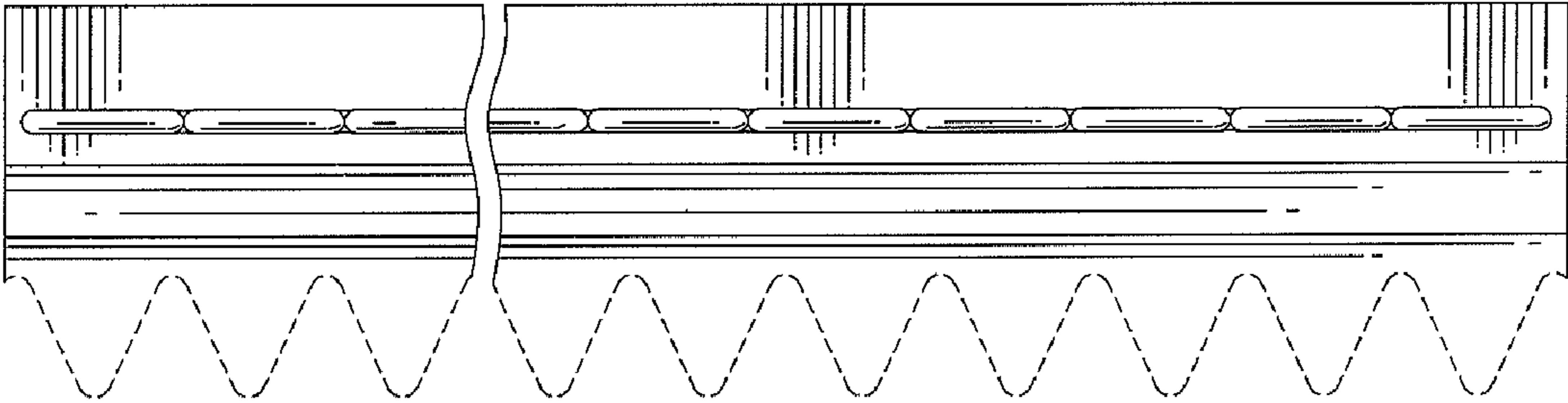


FIG. 6

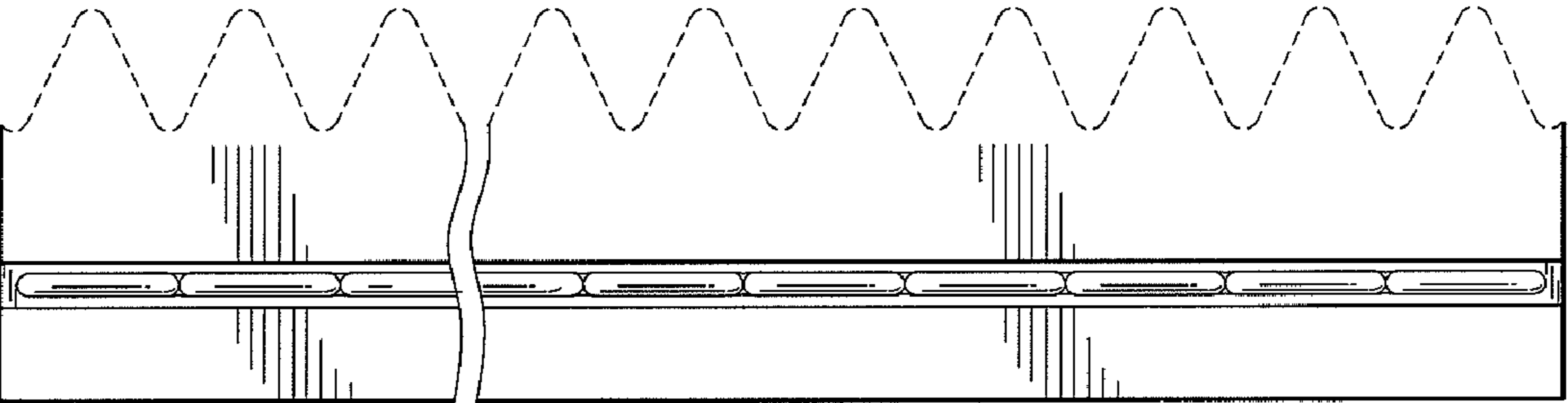


FIG. 7

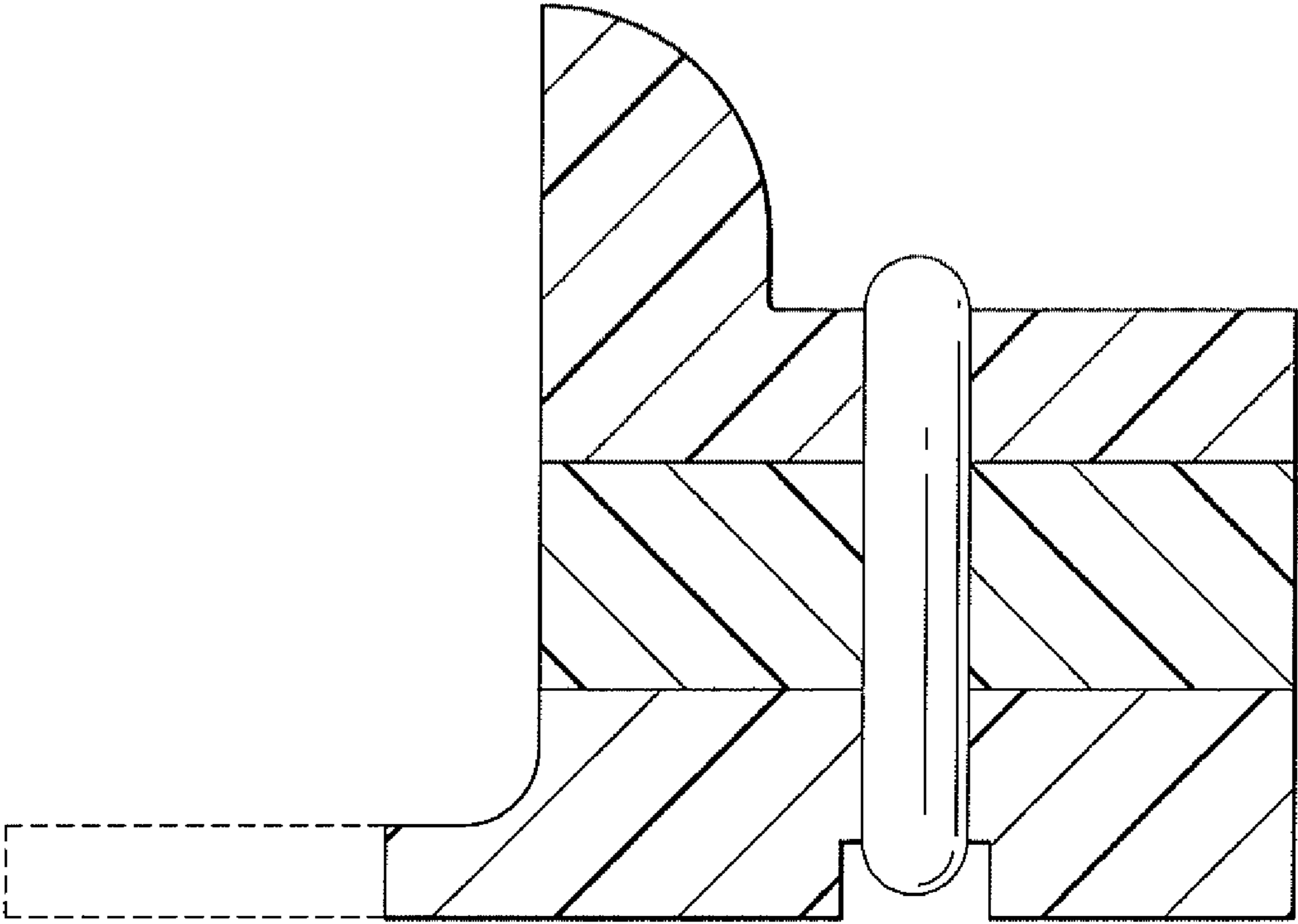


FIG. 8

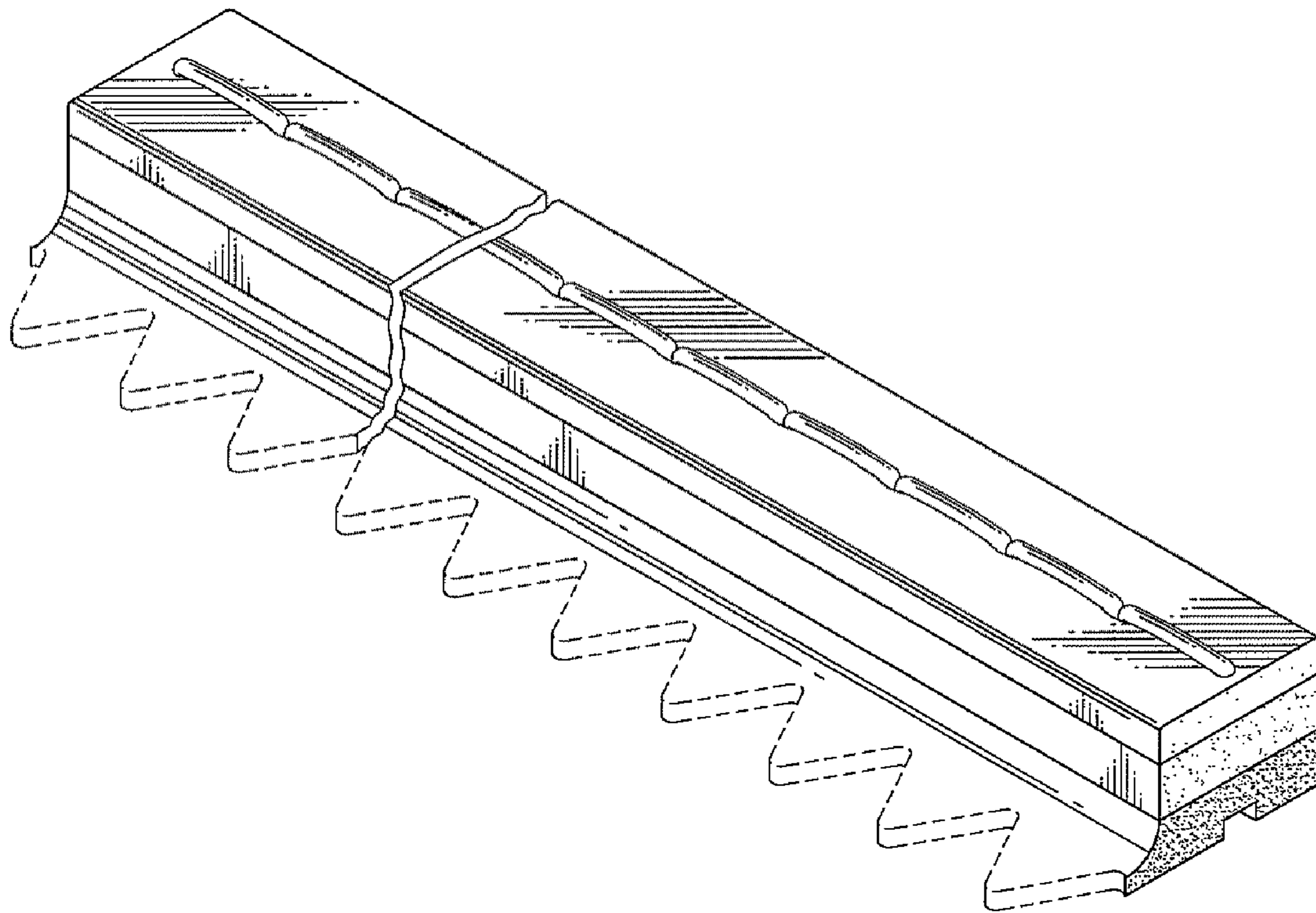


FIG. 9

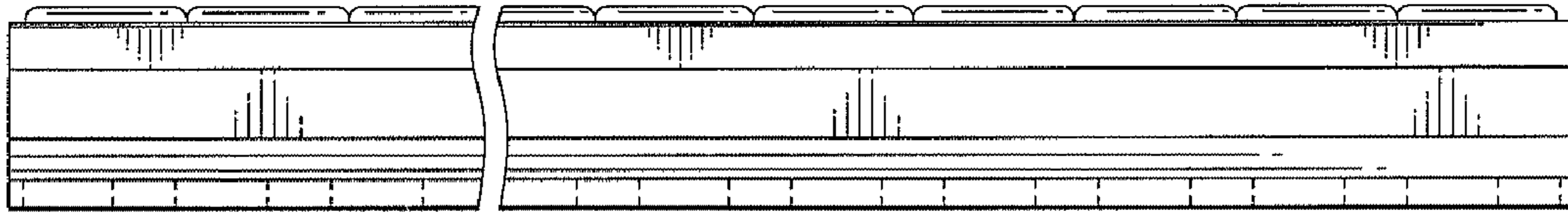


FIG. 10

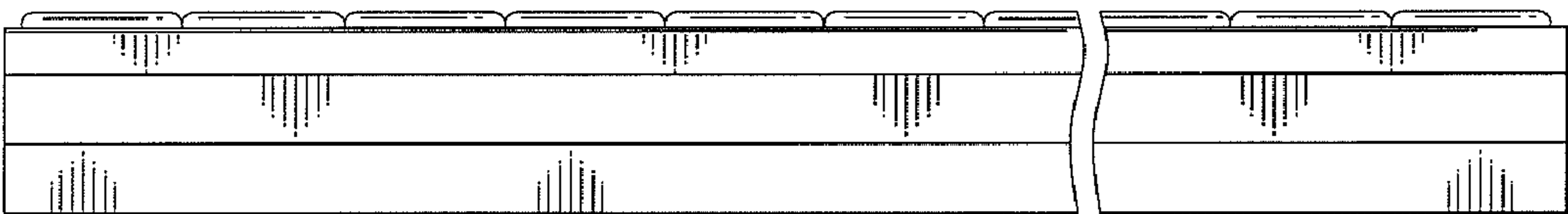


FIG. 11

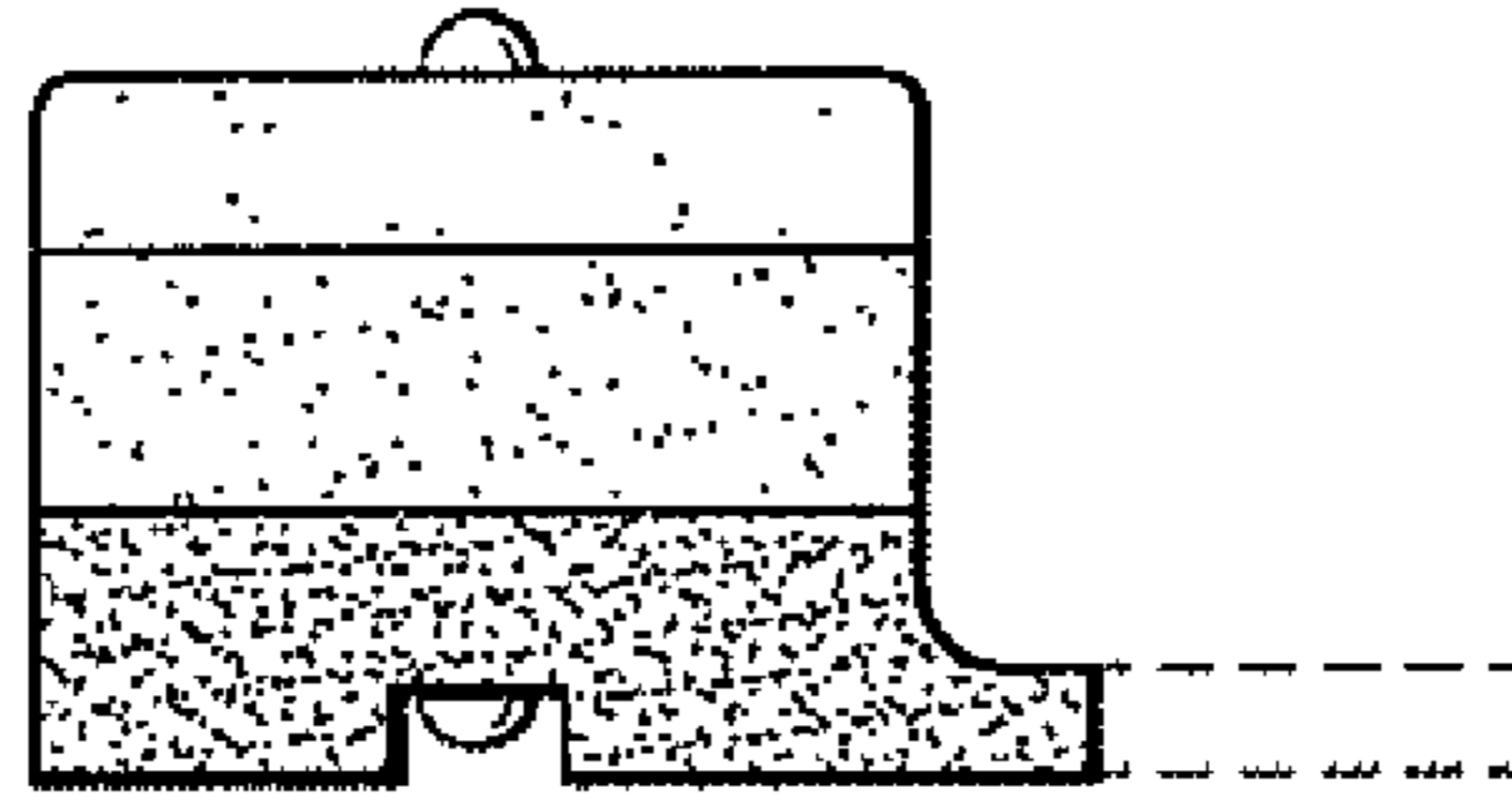


FIG. 12

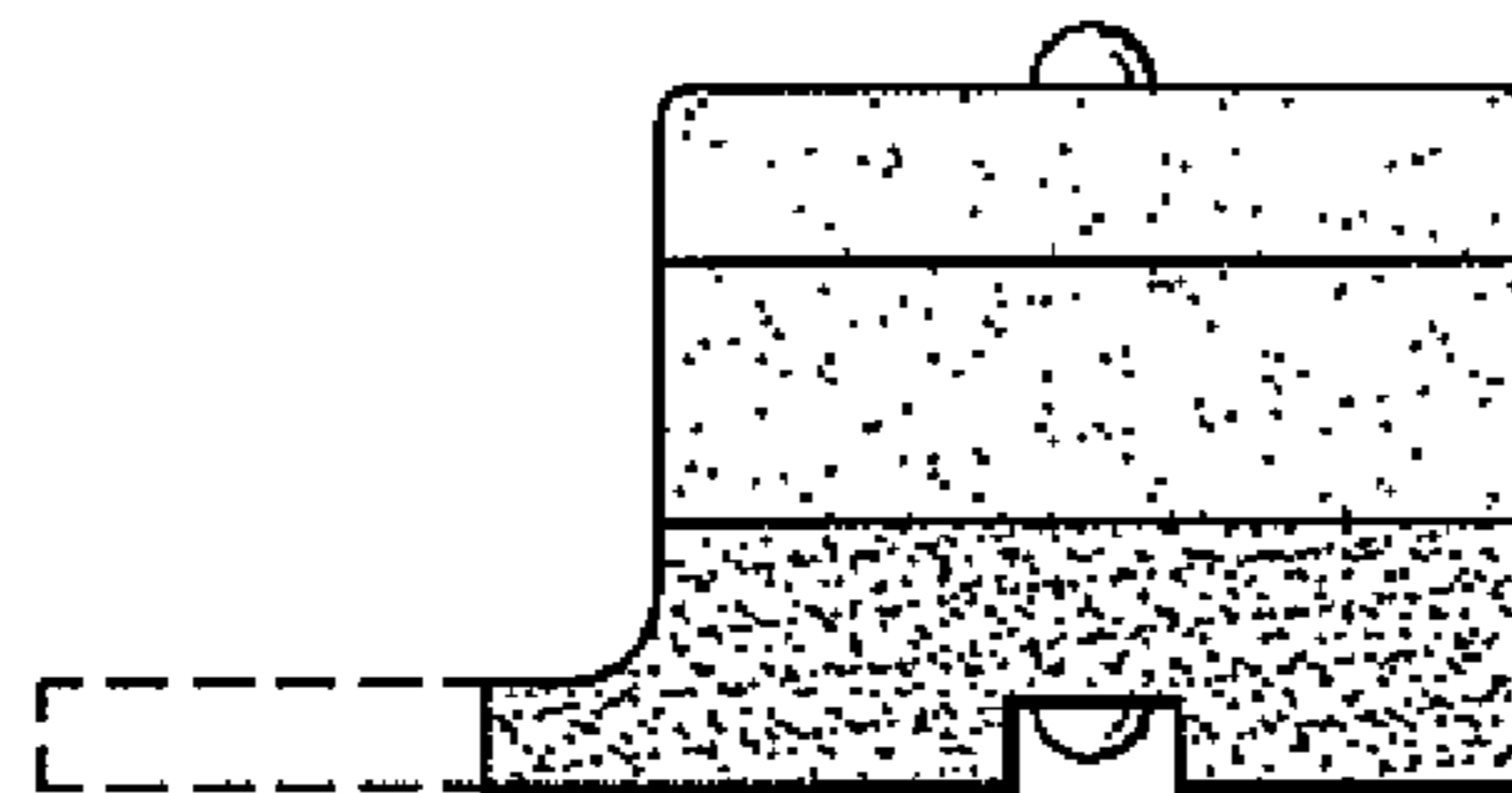


FIG. 13

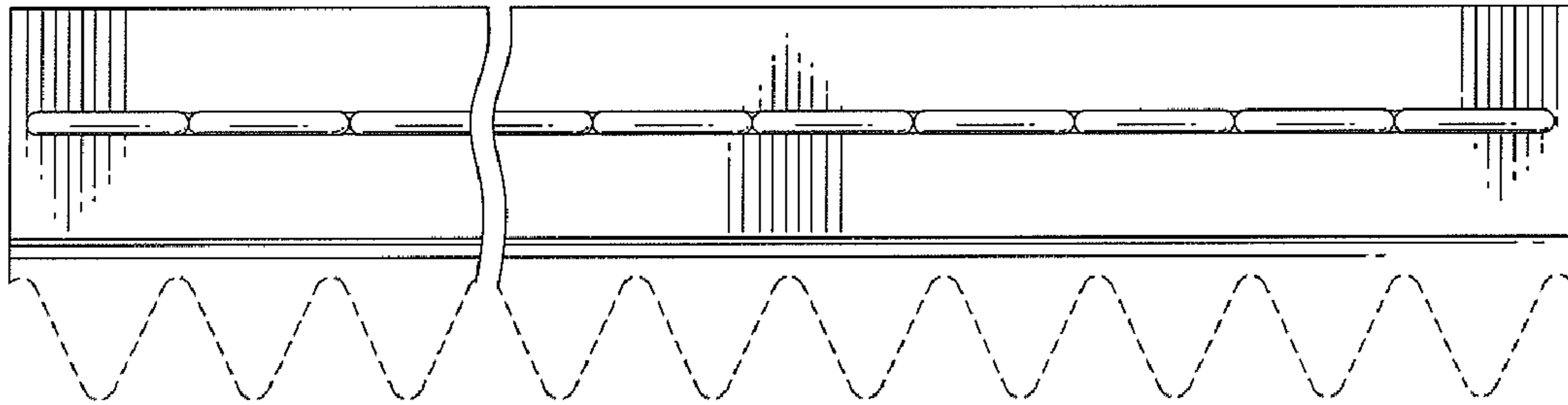


FIG. 14

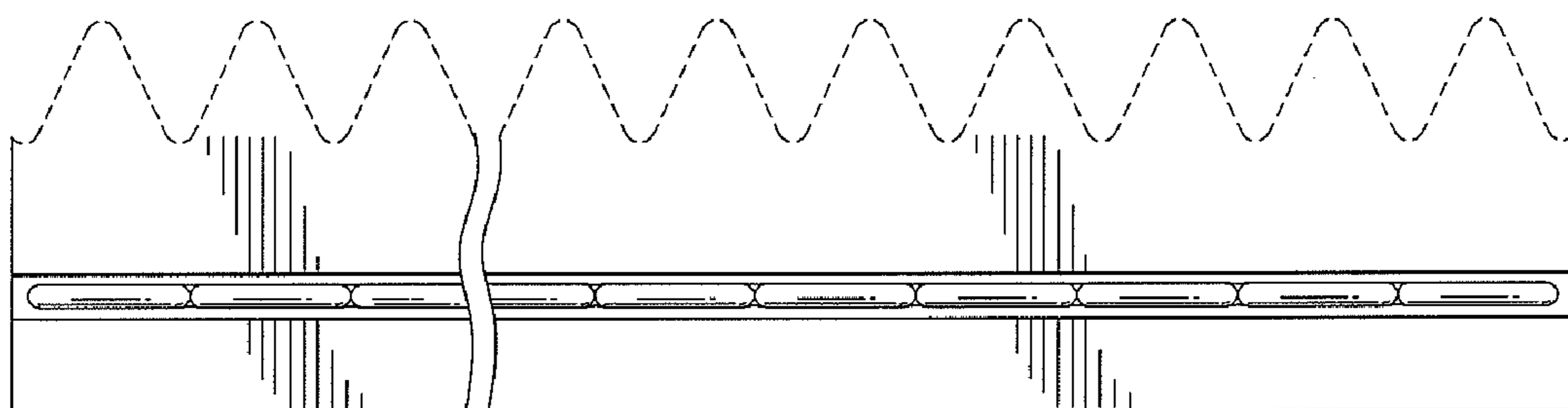


FIG. 15

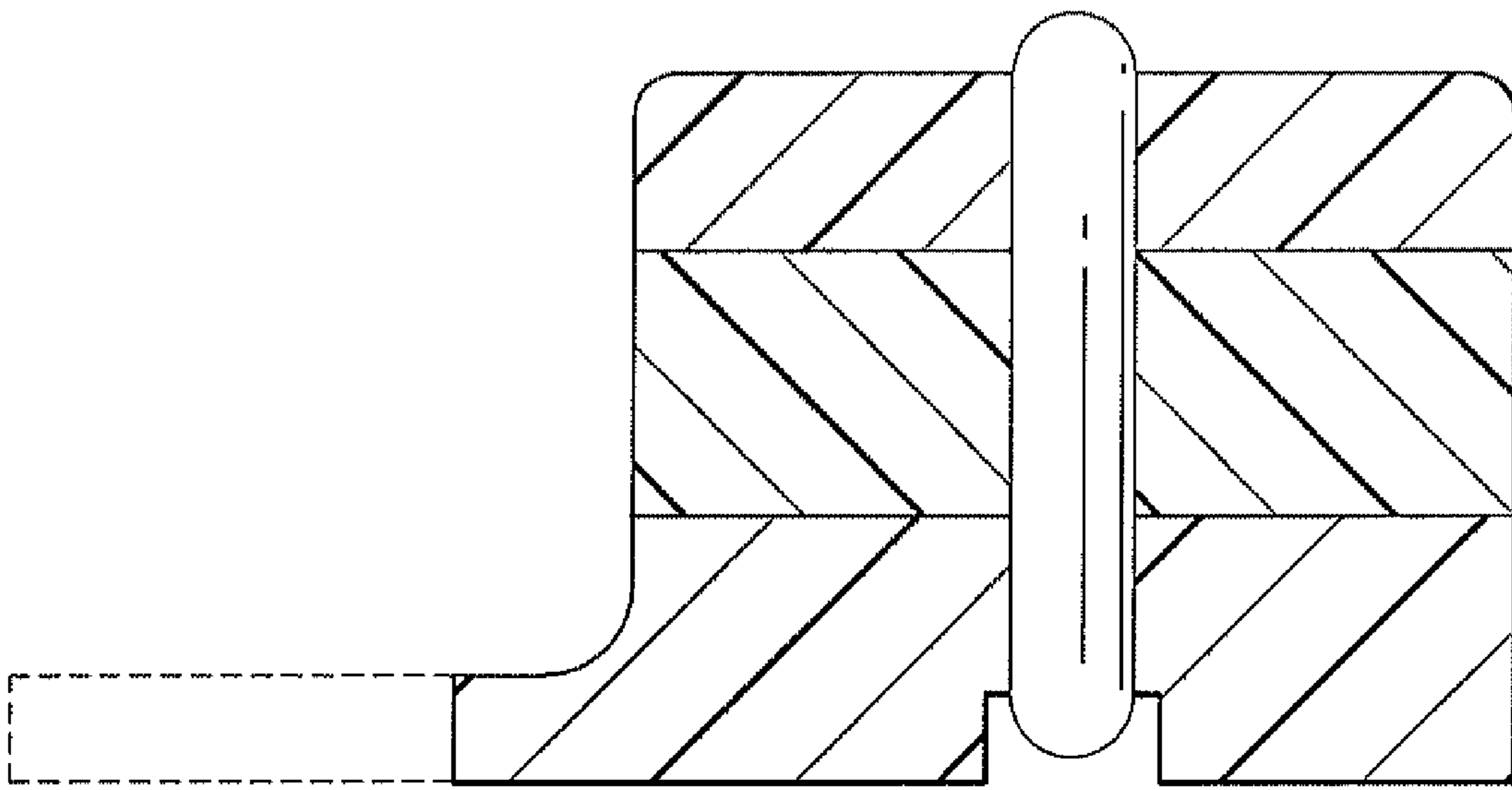


FIG. 16