

US00D646472S

(12) **United States Design Patent**
Chen

(10) **Patent No.:** **US D646,472 S**

(45) **Date of Patent:** **** Oct. 11, 2011**

(54) **PROTECTIVE REINFORCEMENT OF A SAFETY SHOE**

(75) Inventor: **Denise Chen**, Tokyo (JP)

(73) Assignee: **Denise Chen**, Tokyo (JP)

(**) Term: **14 Years**

(21) Appl. No.: **29/369,542**

(22) Filed: **Sep. 9, 2010**

(51) **LOC (9) Cl.** **02-04**

(52) **U.S. Cl.** **D2/909**

(58) **Field of Classification Search** D2/901,
D2/902, 906, 909, 910, 913, 914, 915, 972;
36/31, 76 R, 14, 45, 91, 77 R, 77 M, 72 R
See application file for complete search history.

(56) **References Cited**

U.S. PATENT DOCUMENTS

1,023,417	A *	4/1912	Vore	36/72 R
1,726,198	A *	8/1929	Stahl	36/128
1,872,025	A *	8/1932	Baynard et al.	36/72 R
D316,772	S *	5/1991	Rose	D2/913
D341,699	S *	11/1993	Williams et al.	D2/913
D345,449	S *	3/1994	Armstrong	D2/913
5,809,666	A *	9/1998	Harwood	36/77 R
D420,784	S *	2/2000	Riecken	D2/913

6,367,170	B1 *	4/2002	Williams	36/77 M
6,598,323	B1 *	7/2003	Gougelet et al.	36/77 R
D493,275	S *	7/2004	Koyess et al.	D2/946
D616,182	S *	5/2010	Nelson	D2/913

* cited by examiner

Primary Examiner — Rob Spear

Assistant Examiner — Rashida C McCoy

(74) *Attorney, Agent, or Firm* — Marger Johnson & McCollom PC

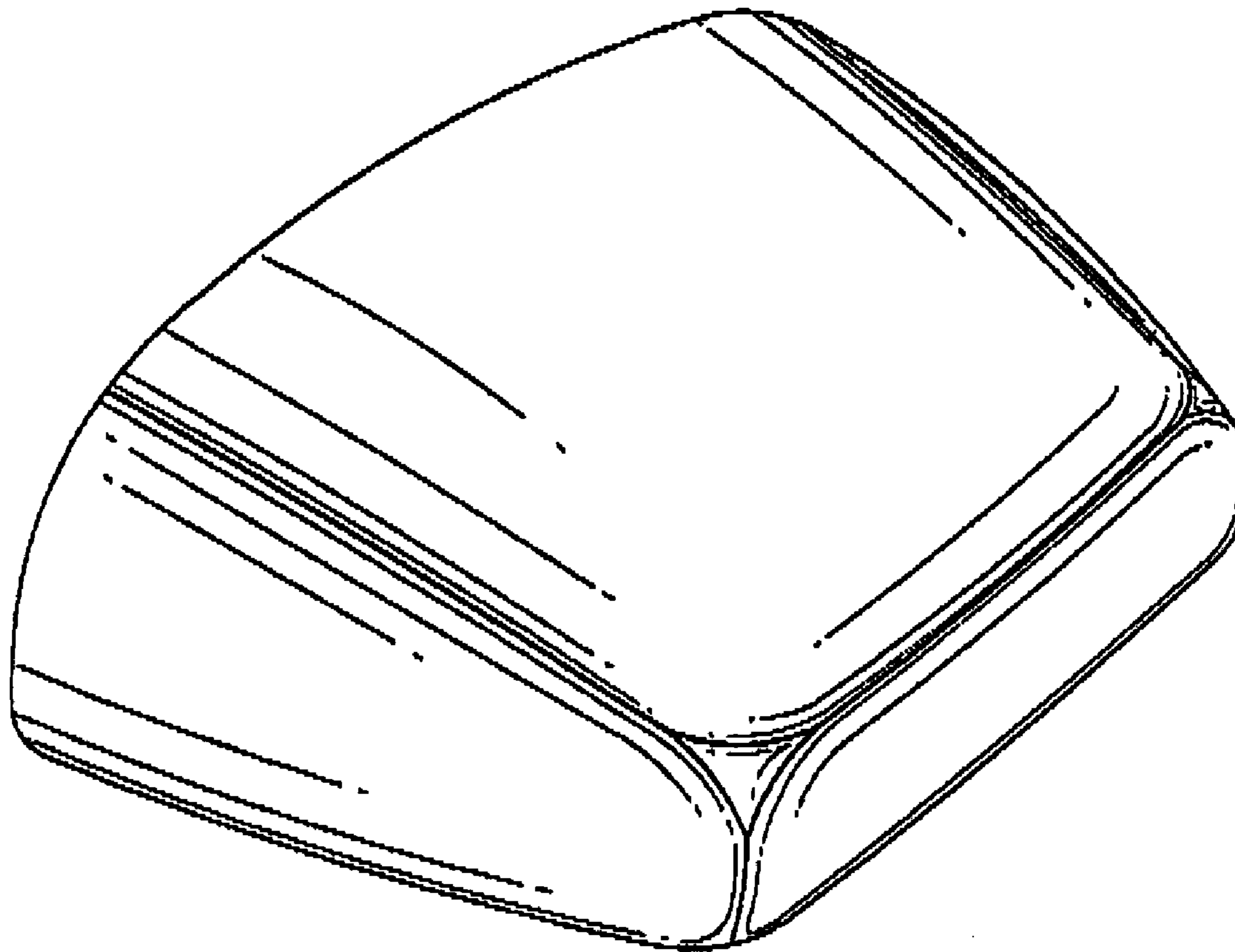
(57) **CLAIM**

The ornamental design for protective reinforcement of a safety shoe, as shown and described.

DESCRIPTION

FIG. 1 is a perspective view of protective reinforcement of a safety shoe showing my new design;
FIG. 2 is a front elevational view thereof;
FIG. 3 is a rear elevational view thereof;
FIG. 4 is a left side elevational view thereof;
FIG. 5 is a right side elevational view thereof;
FIG. 6 is a top plan view thereof;
FIG. 7 is a bottom plan view thereof;
FIG. 8 is another perspective view; and,
FIG. 9 is a side cross sectional view taken in the direction of line 9-9 in FIG. 6.

1 Claim, 6 Drawing Sheets



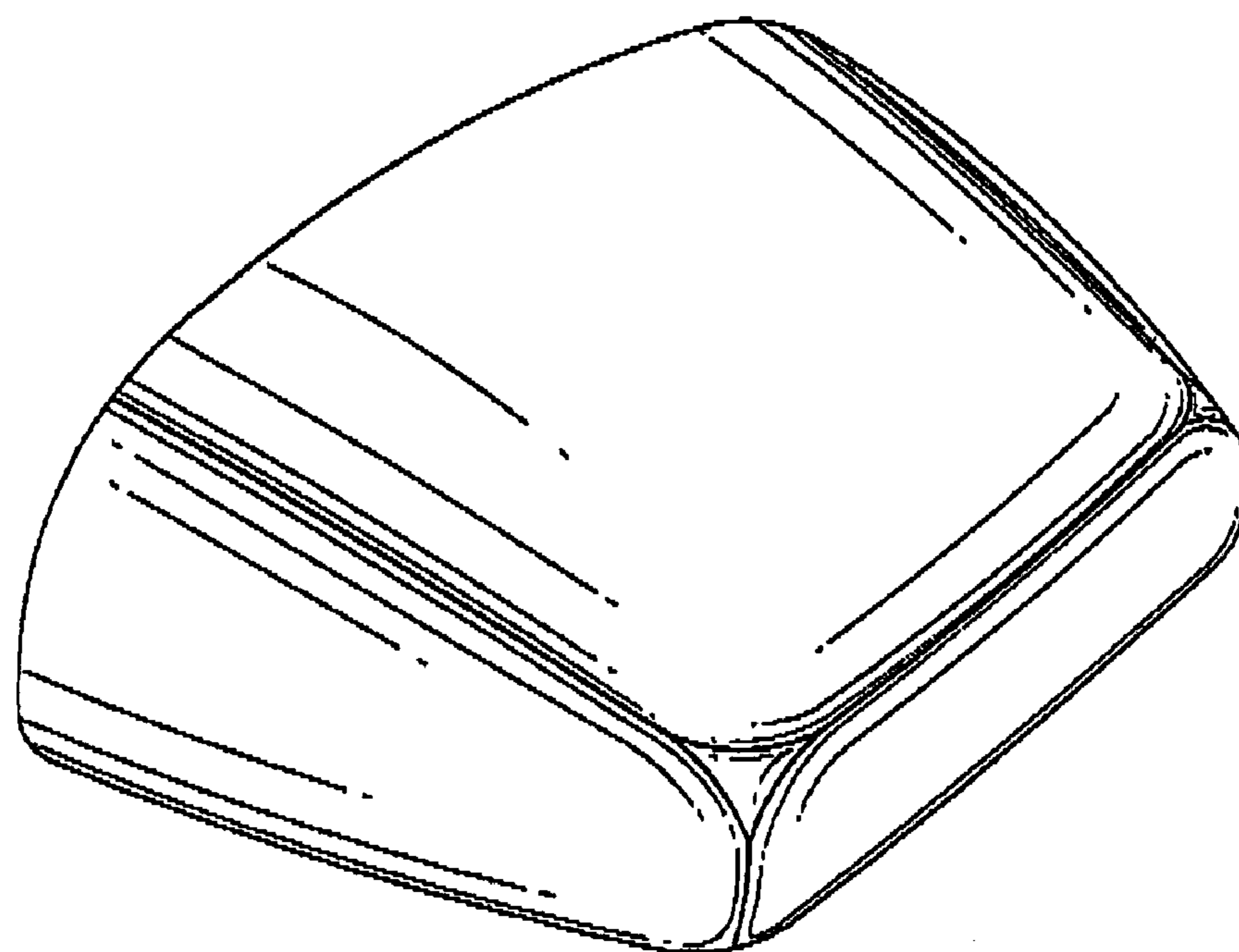


FIG. 1

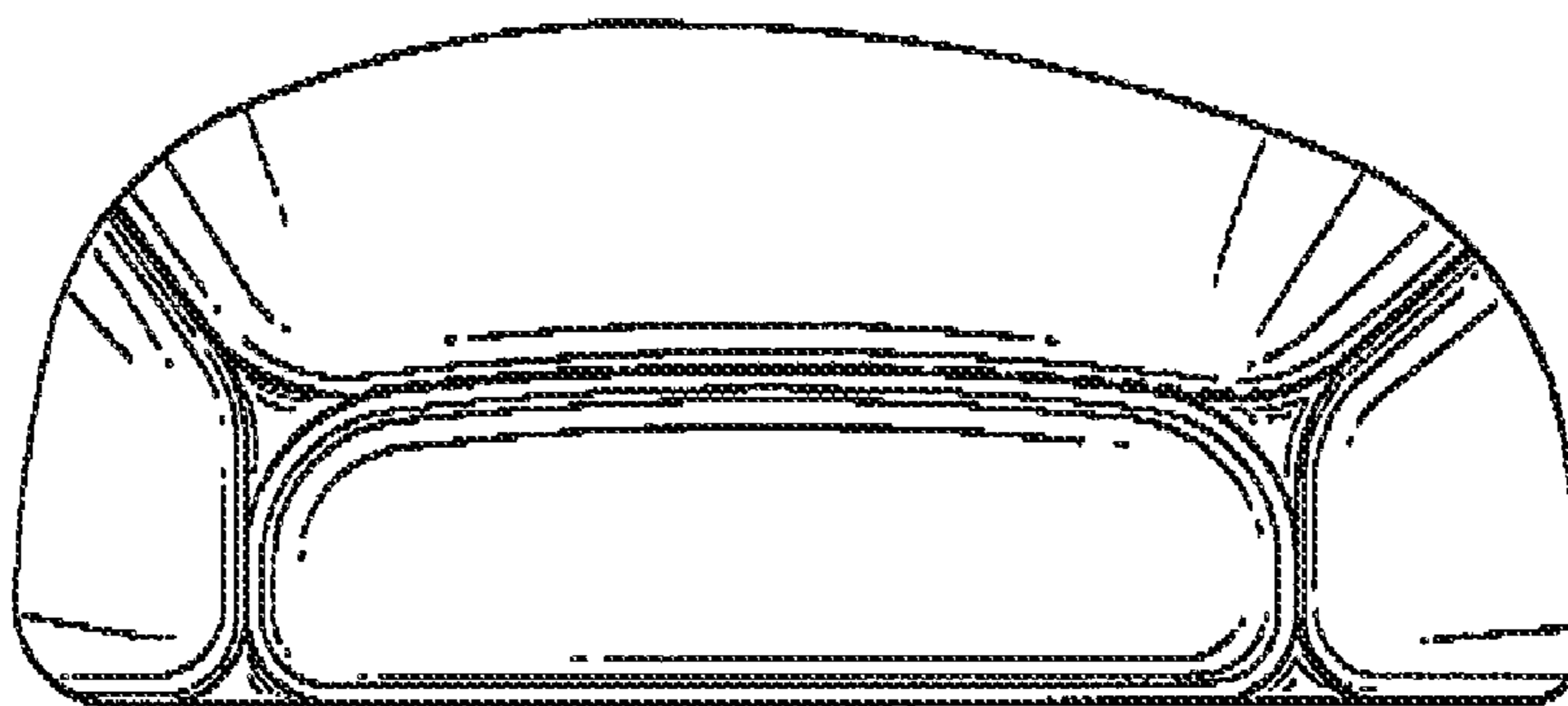


FIG. 2

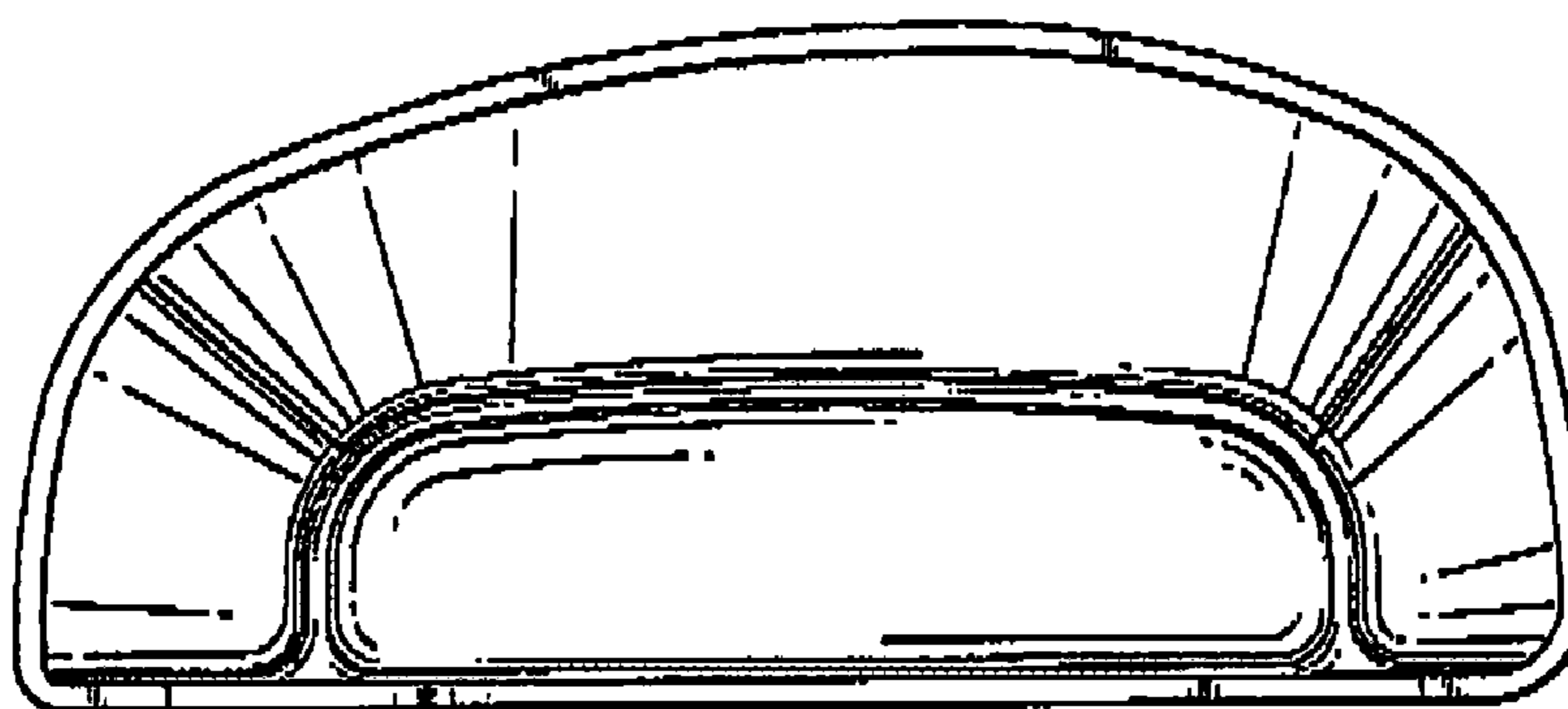


FIG. 3

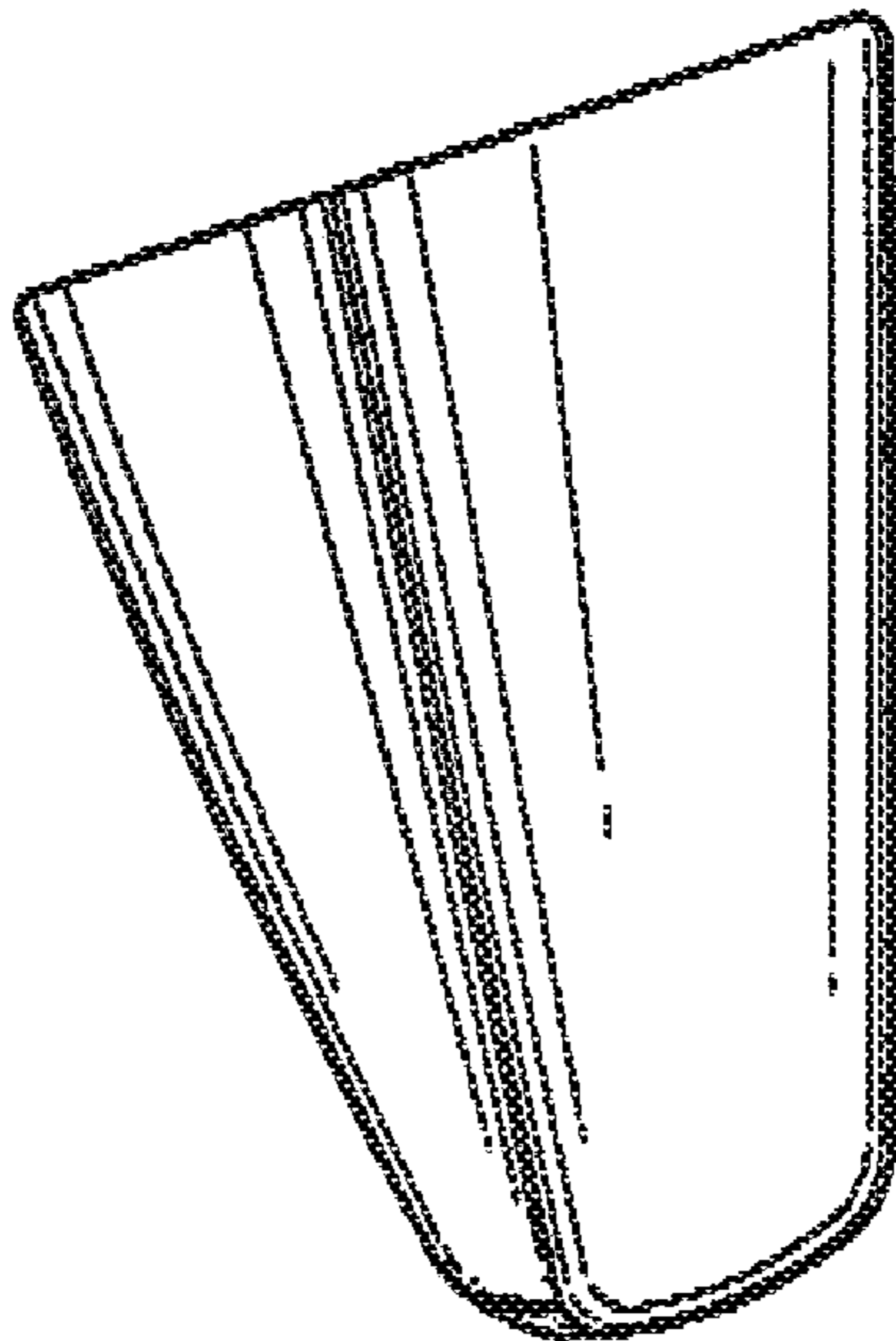


FIG. 5

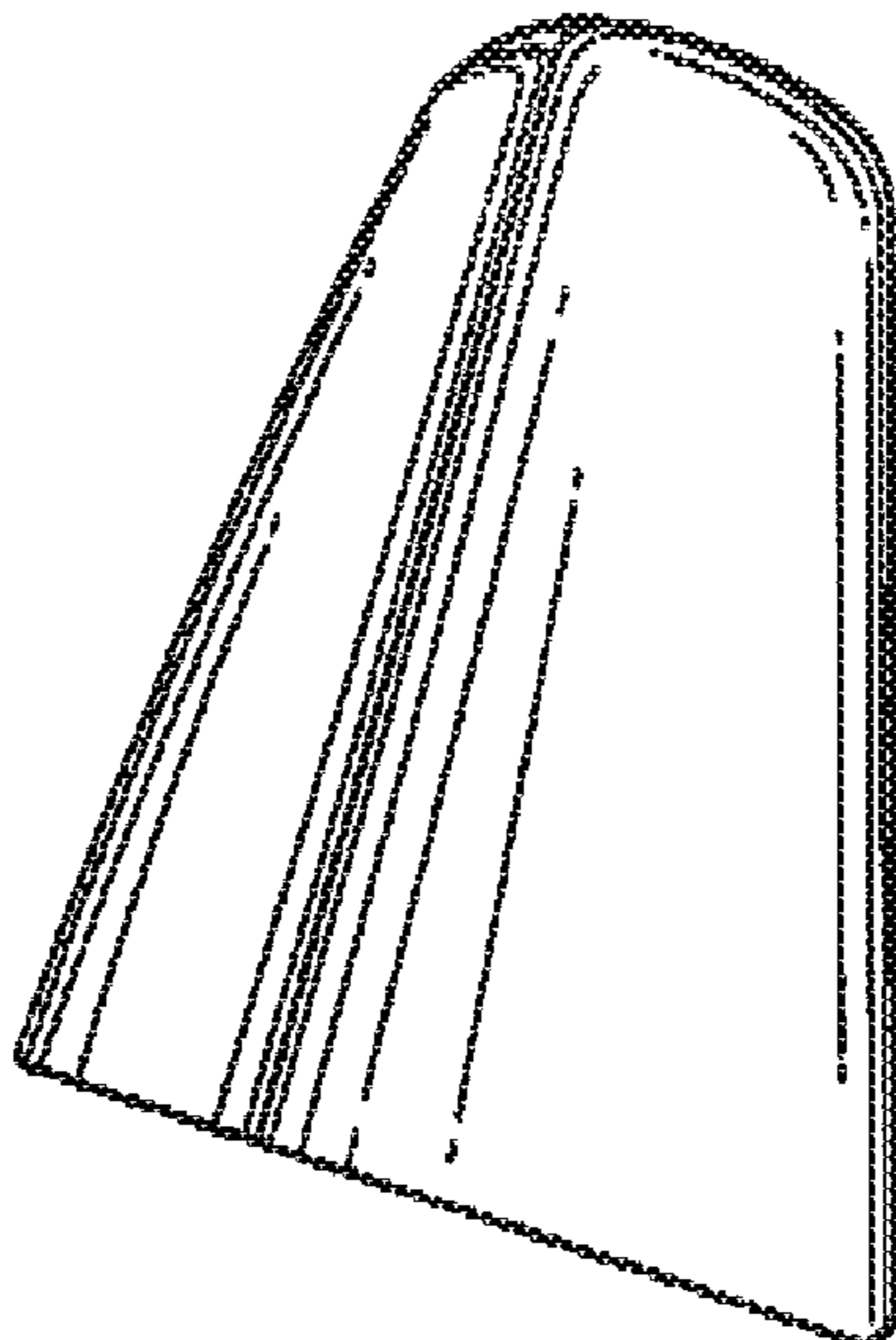


FIG. 4

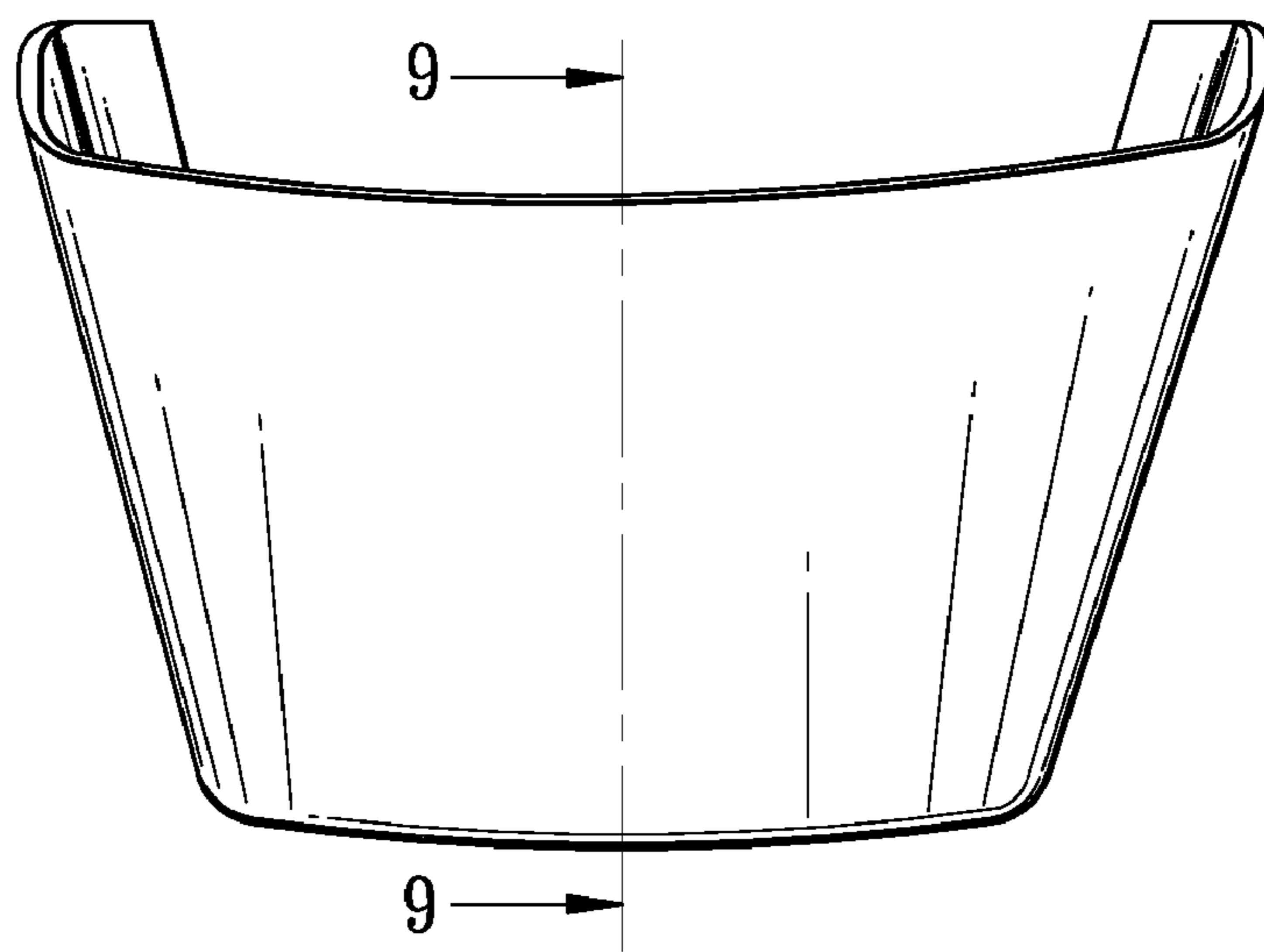


FIG. 6

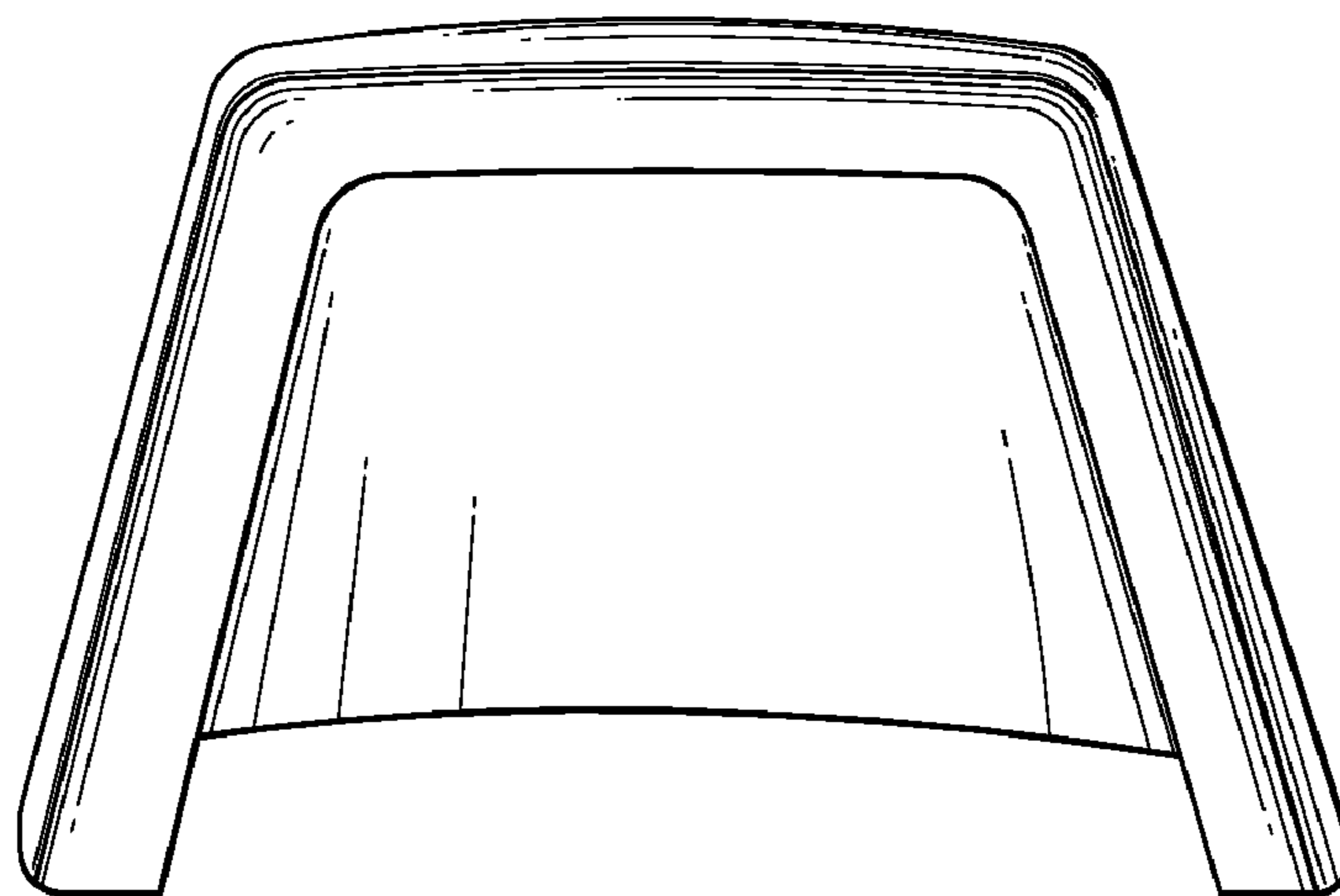


FIG. 7

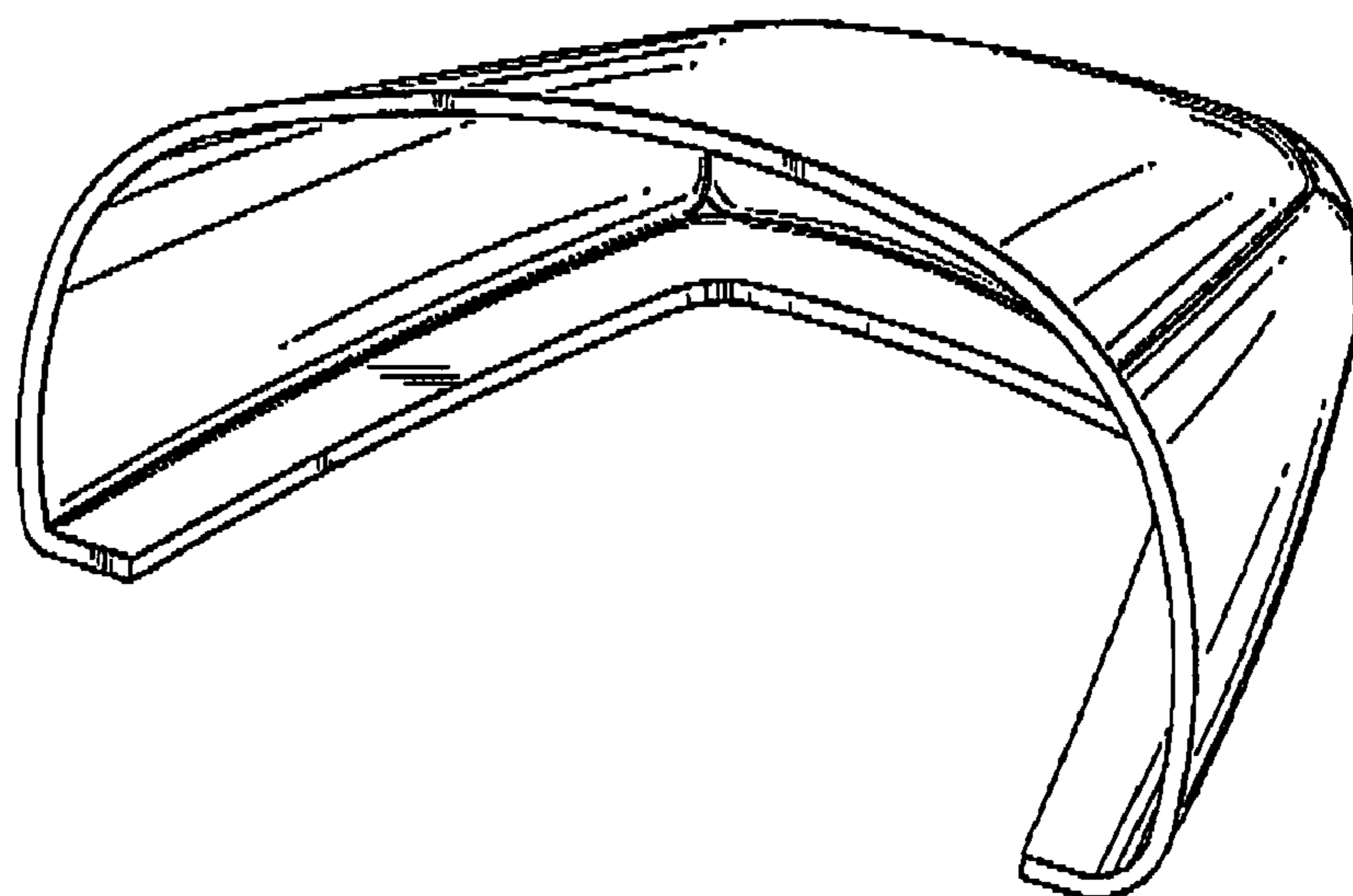


FIG. 8

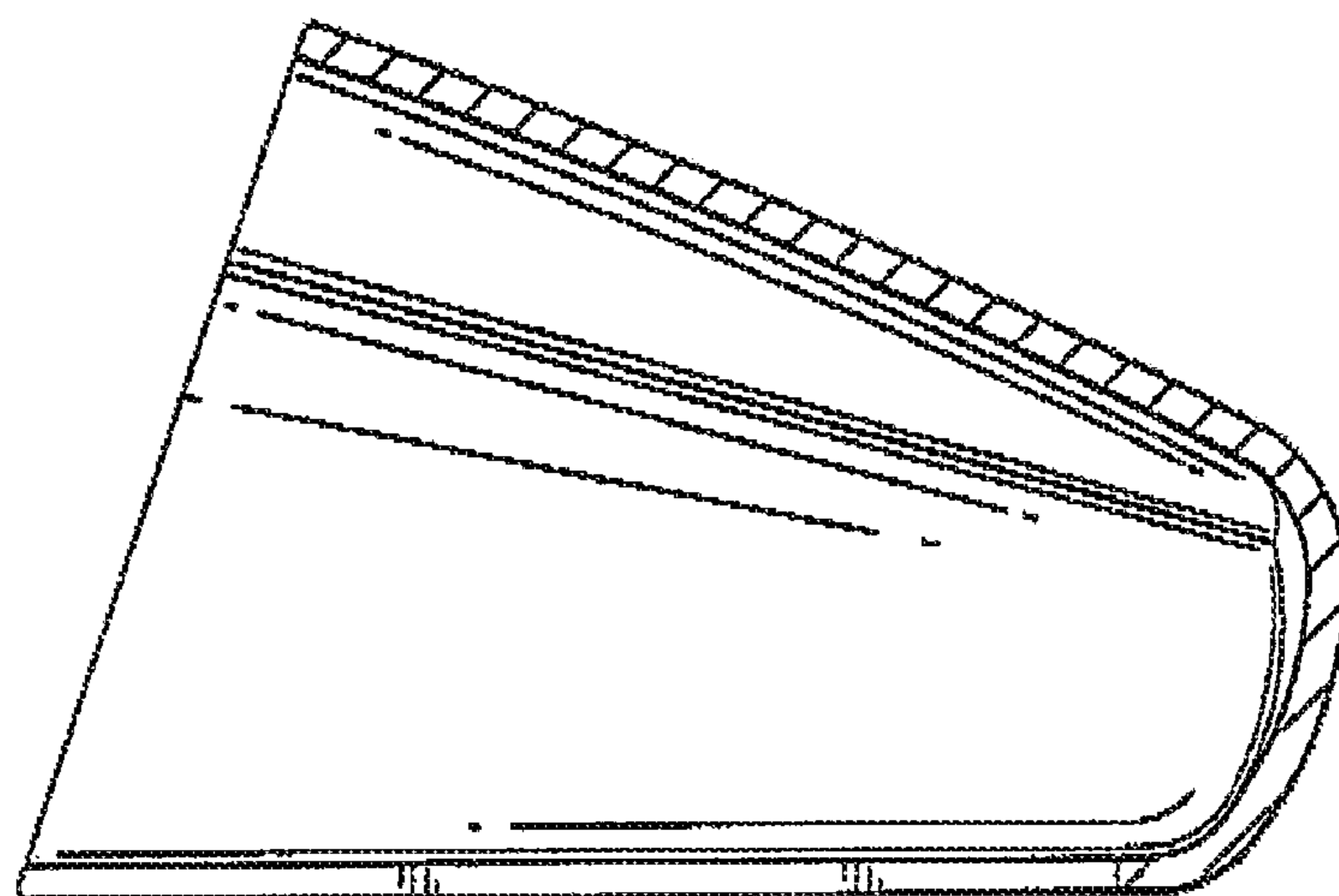


FIG. 9