



US00D646462S

(12) **United States Design Patent**
Ellis et al.

(10) **Patent No.:** **US D646,462 S**

(45) **Date of Patent:** **** Oct. 11, 2011**

(54) **POUCH FOR MEN'S GARMENT**

(75) Inventors: **Shawn Robert Ellis**, Kelowna (CA);
Glen Allan Kirk, Kelowna (CA)

(73) Assignee: **0912139 B.C. Ltd.**, Kelowna (CA)

(**) Term: **14 Years**

(21) Appl. No.: **29/382,591**

(22) Filed: **Jan. 5, 2011**

(51) **LOC (9) Cl.** **02-01**

(52) **U.S. Cl.** **D2/712; D2/738; D2/742**

(58) **Field of Classification Search** D2/712,
D2/713, 714, 715, 716, 717, 728, 731, 732,
D2/738, 747, 860, 742, 743, 744; D24/189,
D24/190, 191; 2/69, 70, 71, 72, 73, 78.1,
2/78.2, 78.3, 78.4, 134, 227, 234, 228, 237,
2/311, 400, 401, 402, 403, 405, 406, 407,
2/408; 602/68, 69, 70, 73

See application file for complete search history.

(56) **References Cited**

U.S. PATENT DOCUMENTS

642,227	A *	1/1900	Reis	2/78.2
847,779	A *	3/1907	Jarrett	602/70
1,020,588	A *	3/1912	West	602/70
1,592,732	A *	7/1926	Friedman	602/69
1,688,910	A *	10/1928	Winship	2/78.1
2,235,849	A *	3/1941	Reis	2/234
2,457,260	A *	12/1948	Morris	602/67
2,529,115	A *	11/1950	Thalman	450/105
2,639,708	A *	5/1953	Chatfield	602/67
3,207,155	A *	9/1965	Casey	602/67

3,517,666	A *	6/1970	Atlee	602/68
4,870,958	A *	10/1989	Webster	602/67
5,647,065	A *	7/1997	Richerson	2/403
5,651,144	A *	7/1997	Li	2/403
5,754,982	A *	5/1998	Gainer	2/2.5
D482,123	S *	11/2003	Jaquez	D24/190
7,895,676	B2 *	3/2011	Clark	2/403
2004/0154079	A1 *	8/2004	Rana et al.	2/406
2007/0277285	A1 *	12/2007	Gravette et al.	2/78.1

* cited by examiner

Primary Examiner — Karen E Eldridge Powers

(74) *Attorney, Agent, or Firm* — Oyen Wiggs Green & Mutala LLP

(57) **CLAIM**

The ornamental design for pouch for men's garment, as shown and described.

DESCRIPTION

FIG. 1 illustrates a perspective view of a pouch for men's garment.

FIG. 2 illustrates a front view thereof.

FIG. 3 illustrates a rear view thereof.

FIG. 4 illustrates a side view thereof.

FIG. 5 illustrates the opposite side view of FIG. 4.

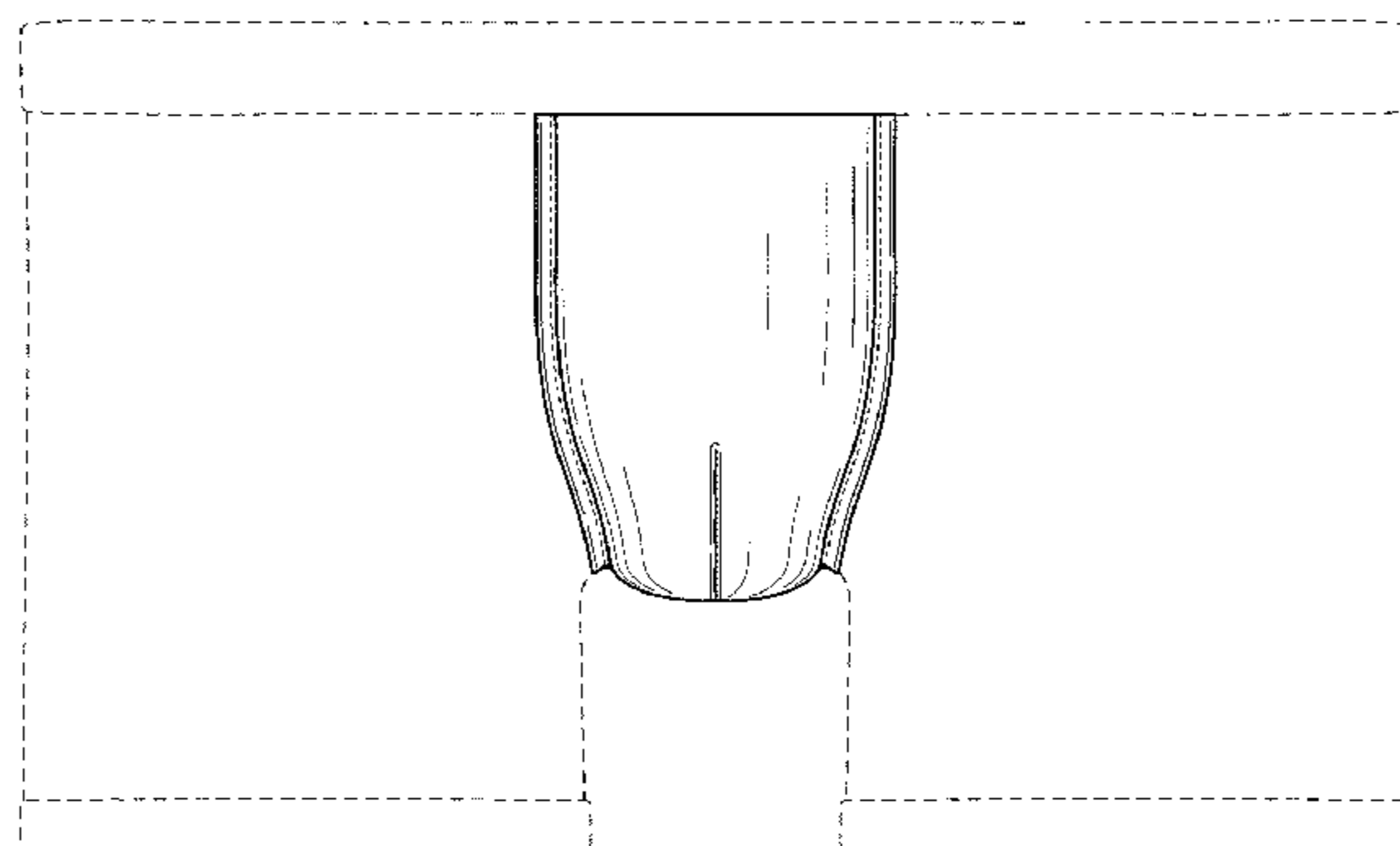
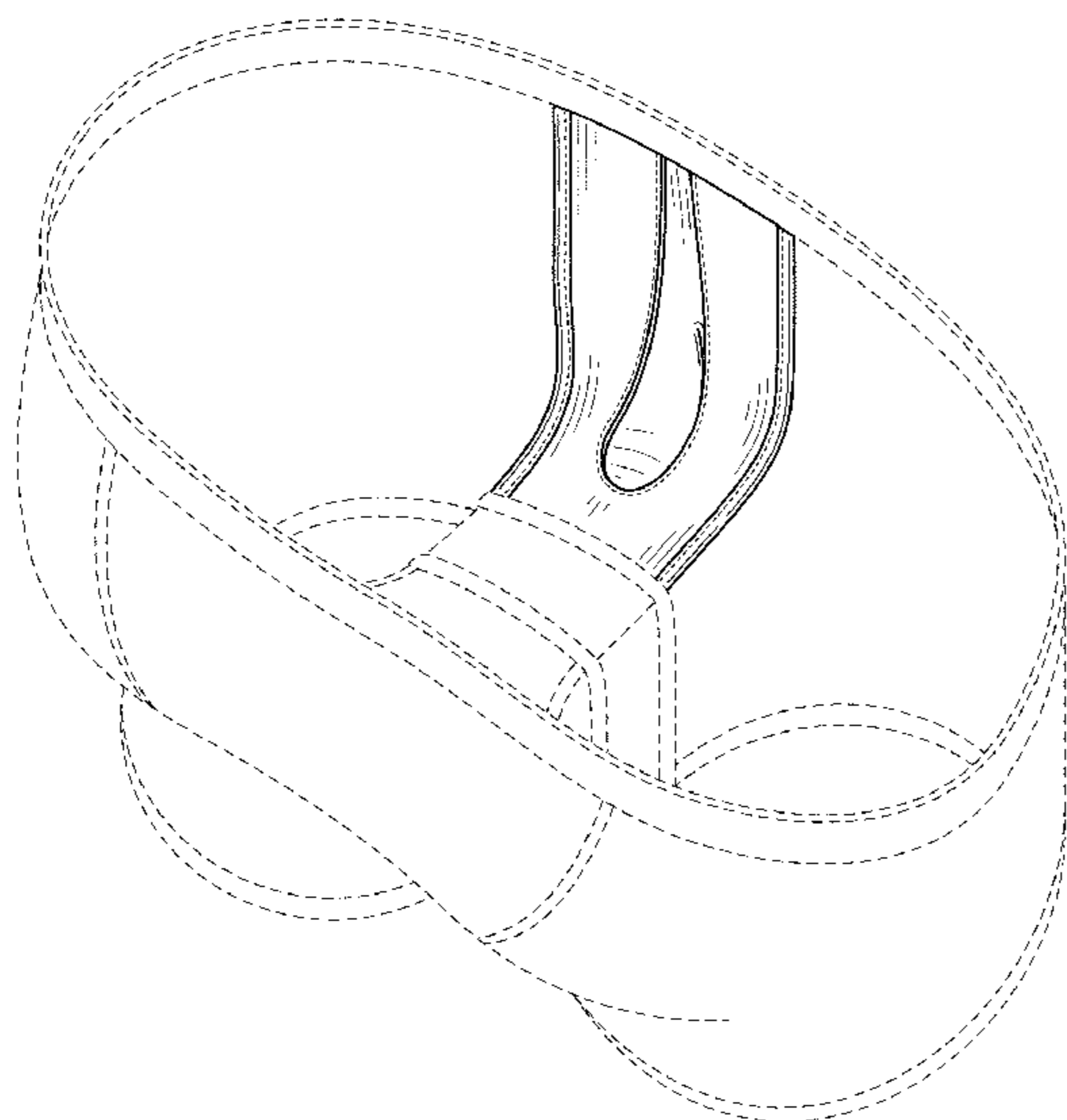
FIG. 6 illustrates a top view thereof; and,

FIG. 7 illustrates a bottom view thereof.

The pouch for men's garment has a protruding pouch and a flap defining a keyhole opening into the pouch. The pouch may be embodied in various types of men's garments, particularly in a mid-section of a front wall of men's underwear and other men's garments worn around a man's torso.

The broken-line showing of a men's garment illustrates portions of the article that form no part of the claimed design.

1 Claim, 4 Drawing Sheets



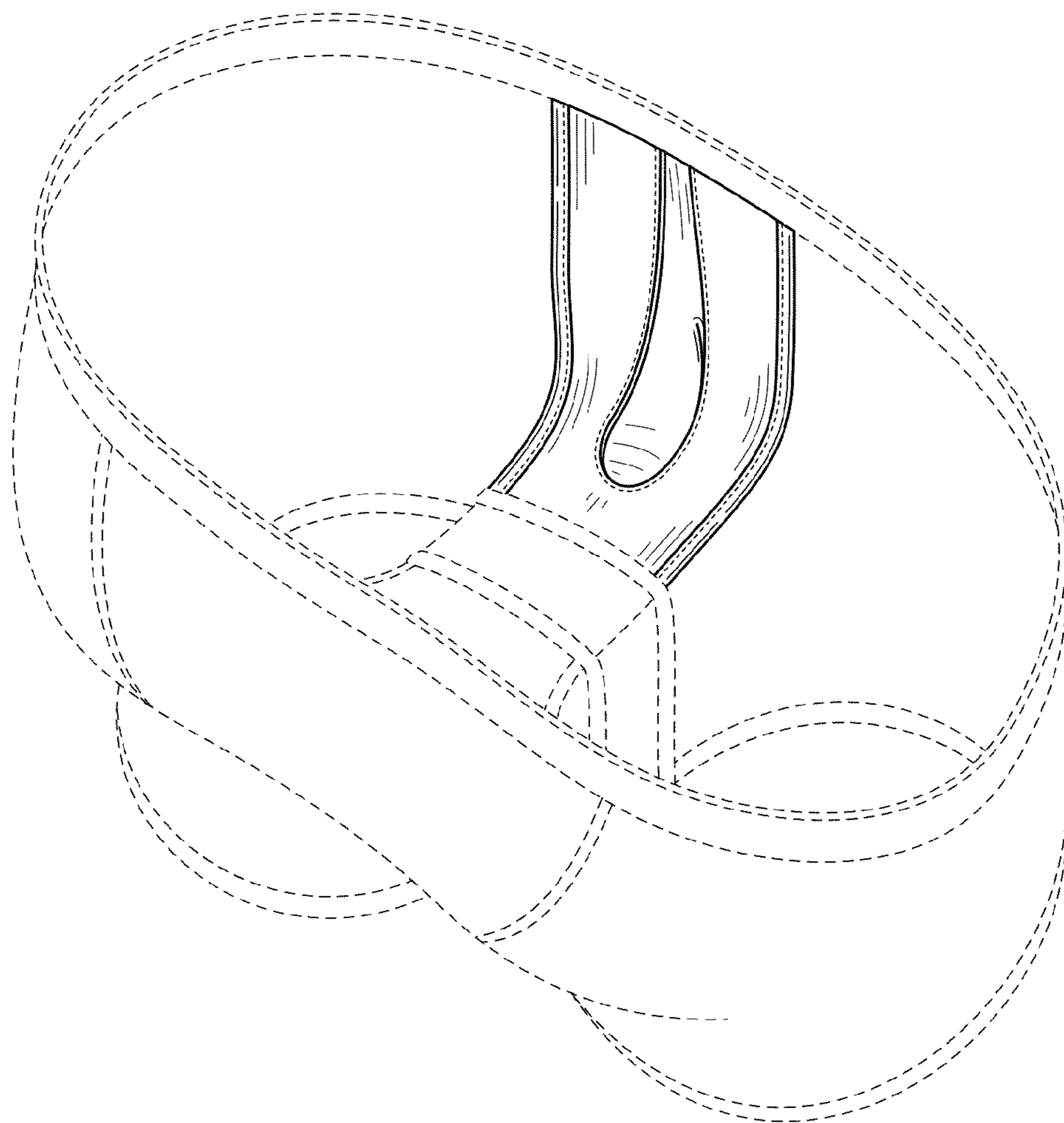


FIG. 1

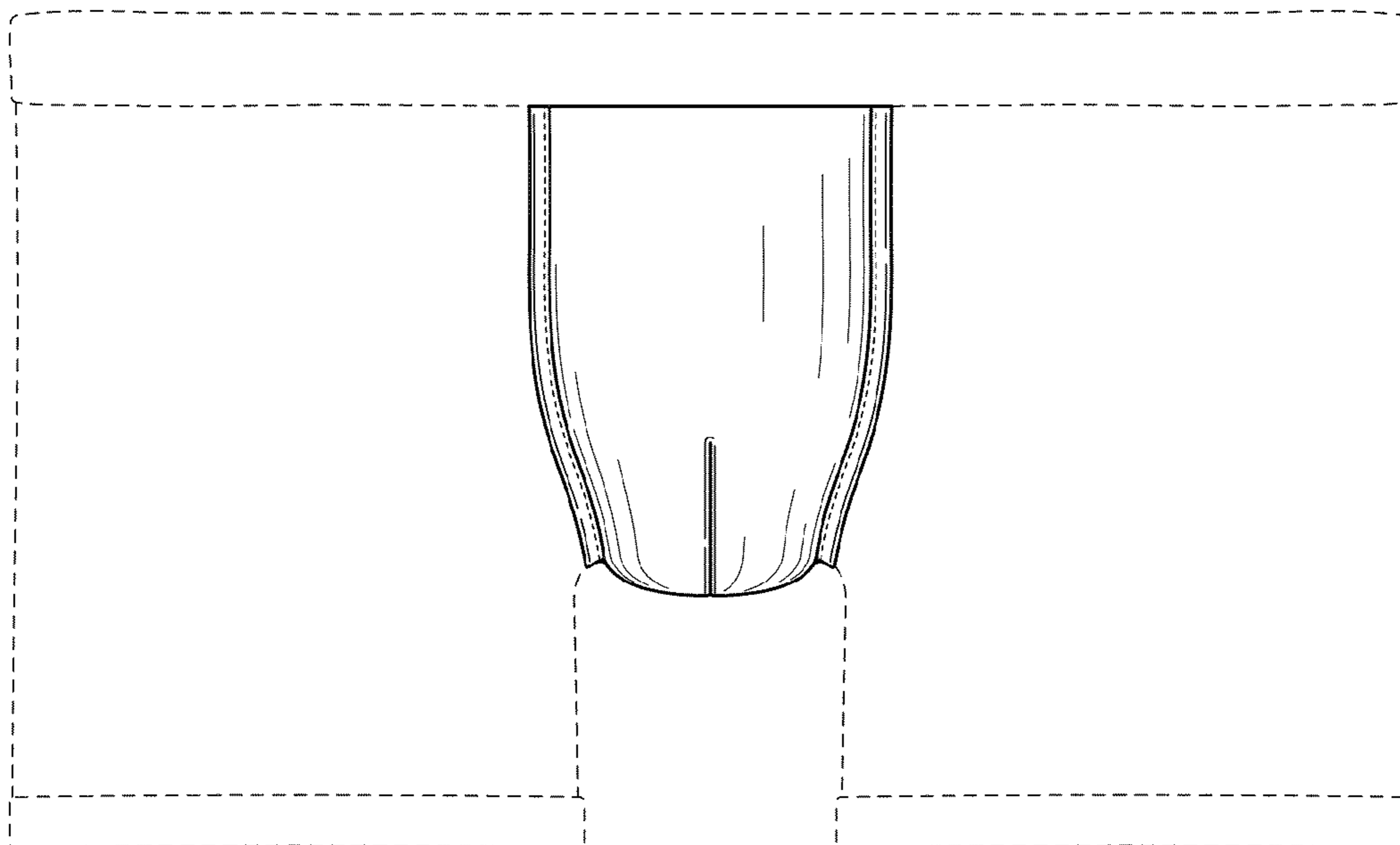


FIG. 2

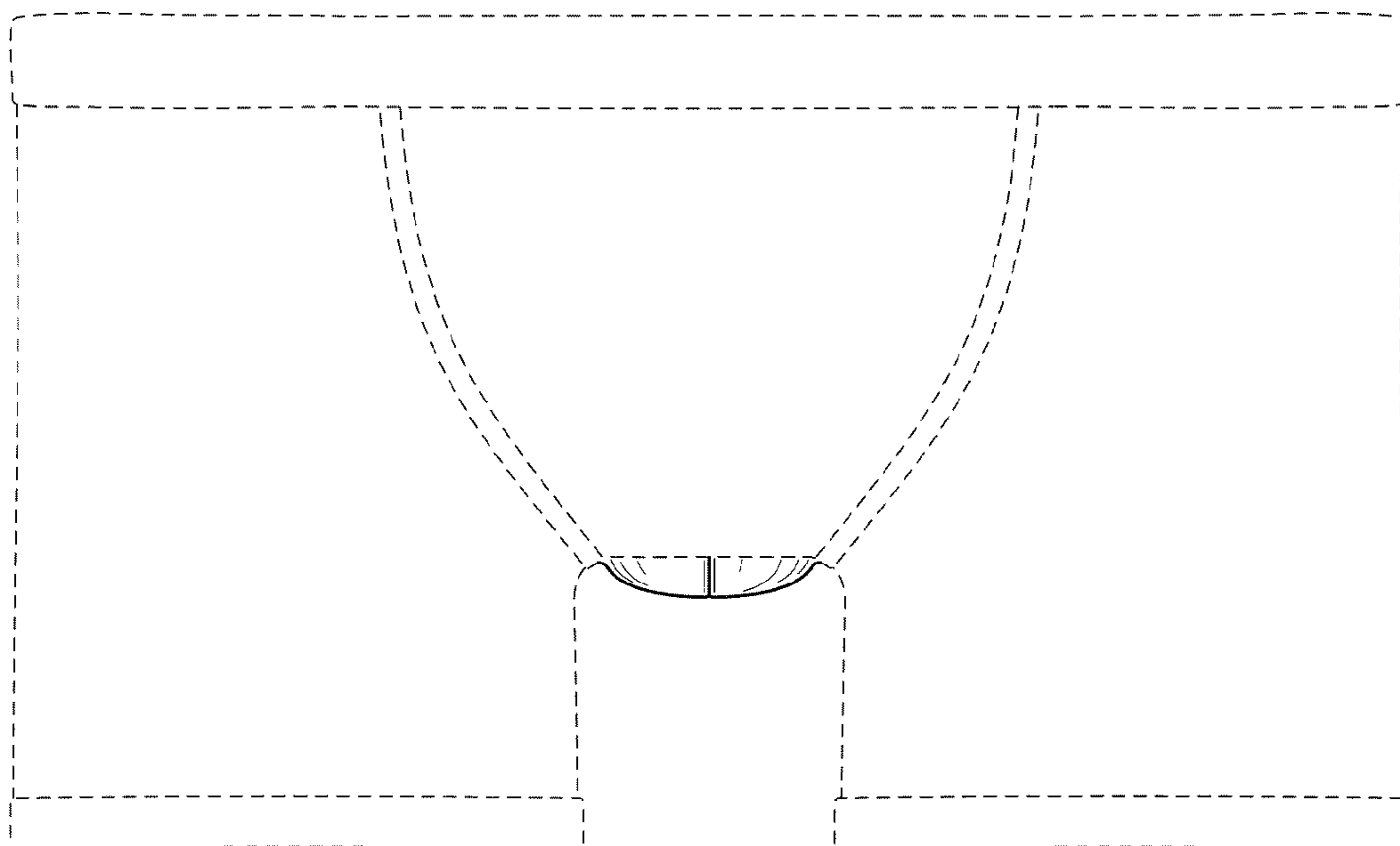


FIG. 3

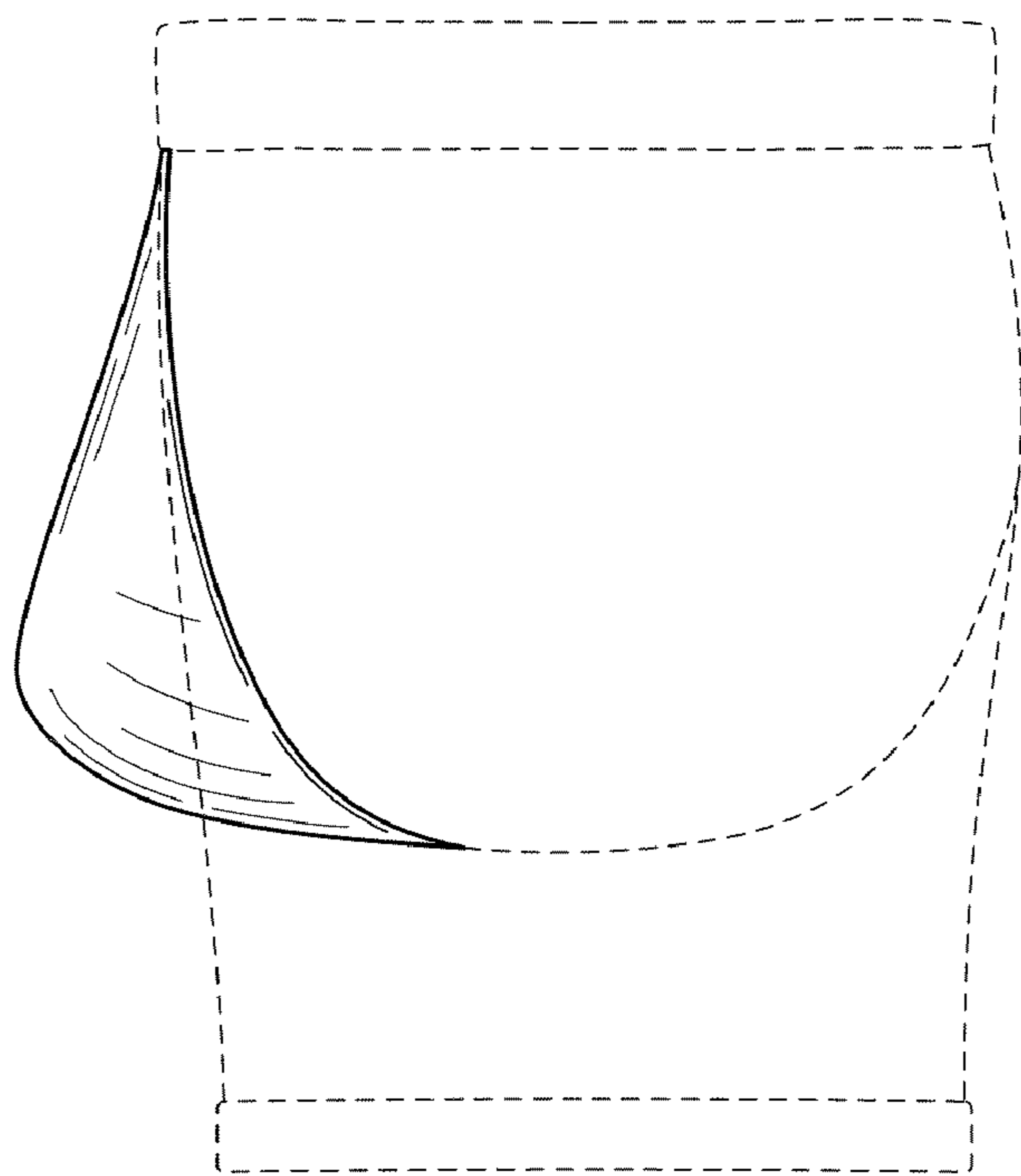


FIG. 4

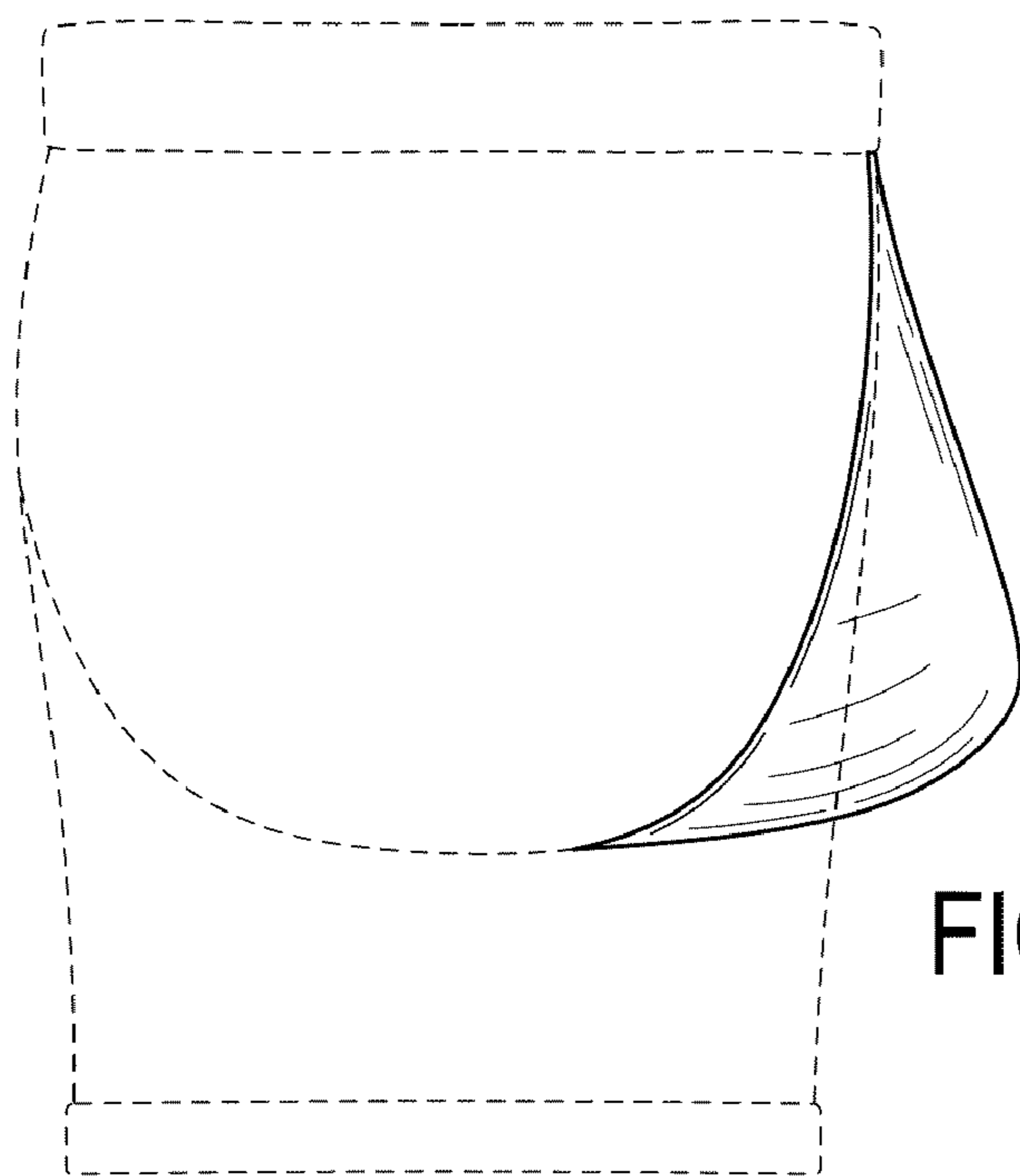


FIG. 5

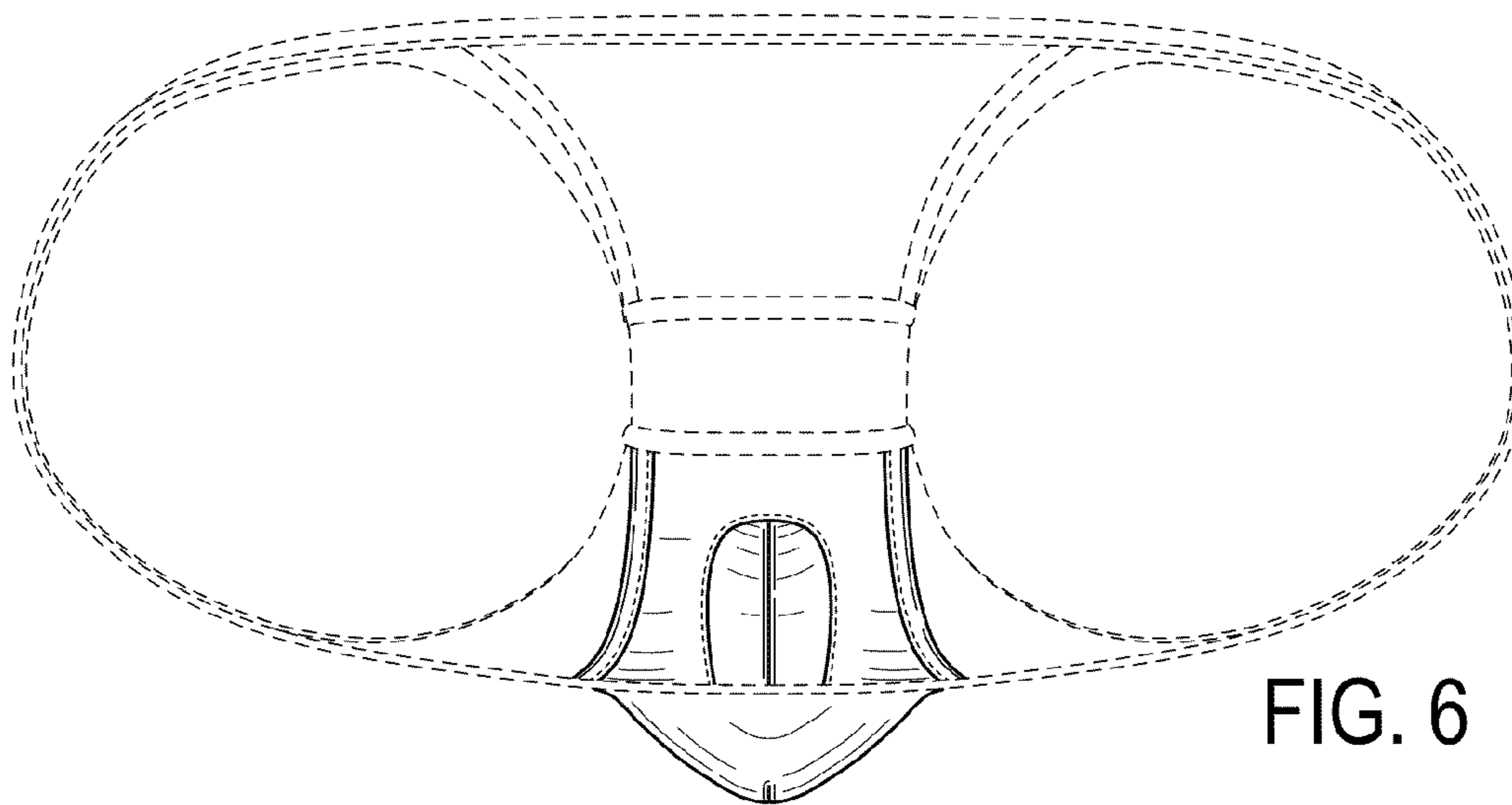


FIG. 6

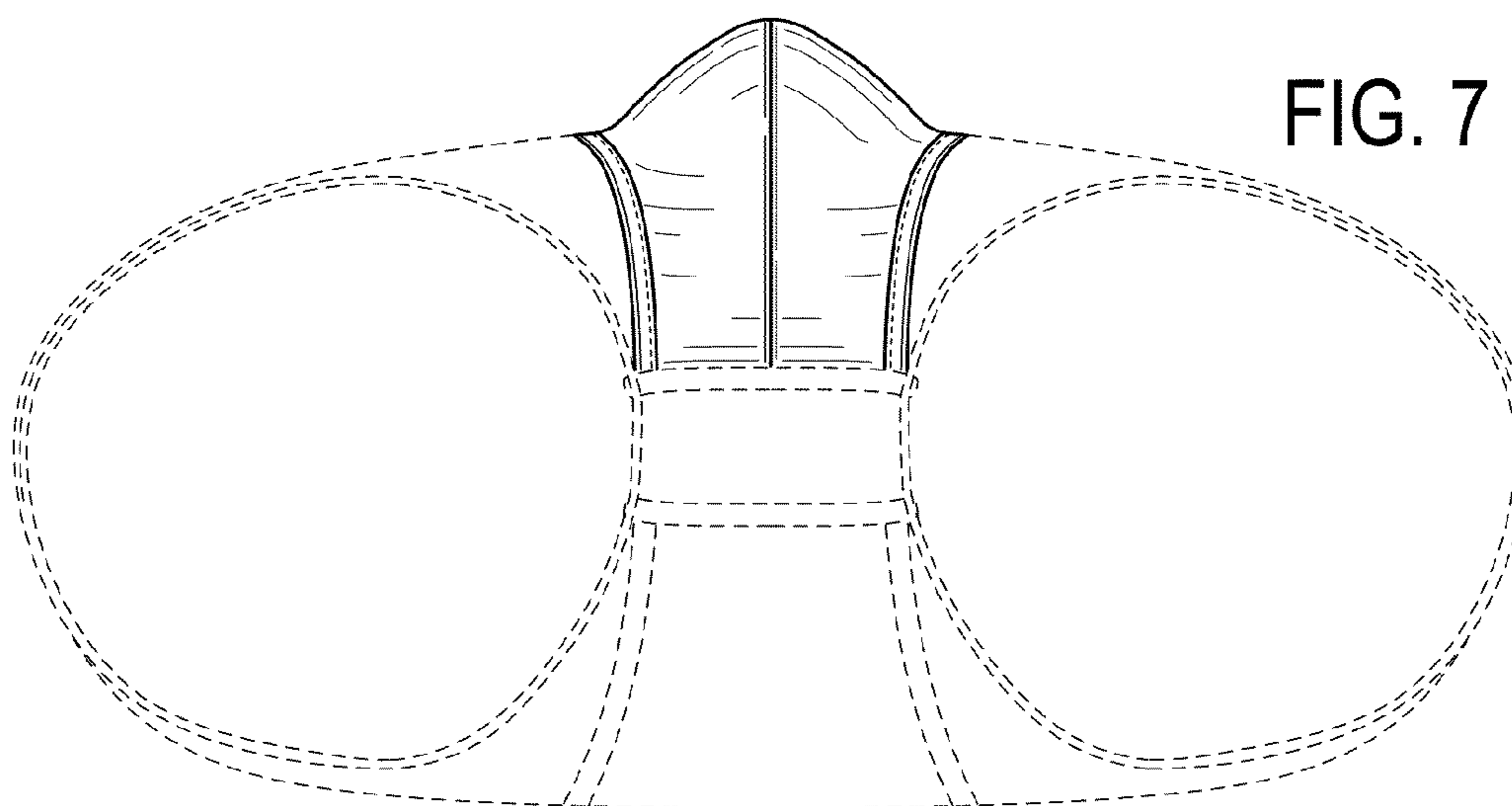


FIG. 7