



US00D646455S

(12) **United States Design Patent**
Qian

(10) **Patent No.:** **US D646,455 S**

(45) **Date of Patent:** **** Oct. 4, 2011**

(54) **PLASTIC BARREL**

(76) Inventor: **Benning Qian**, Ningbo (CN)

(**) Term: **14 Years**

(21) Appl. No.: **29/351,249**

(22) Filed: **Dec. 2, 2009**

(30) **Foreign Application Priority Data**

Jun. 5, 2009 (CN) 2009 3 0142823

(51) **LOC (9) Cl.** **09-02**

(52) **U.S. Cl.** **D34/39**

(58) **Field of Classification Search** D34/1,
D34/7, 39, 6; 220/908, 672, 601, 669, 661,
220/DIG. 1, 675; 232/43.2

See application file for complete search history.

(56) **References Cited**

U.S. PATENT DOCUMENTS

3,293,798	A *	12/1966	Johnson, Sr.	47/83
3,890,129	A *	6/1975	Chester	71/9
3,942,769	A *	3/1976	Whiteside et al.	366/192
4,105,412	A *	8/1978	Petzinger	422/275
4,108,609	A *	8/1978	Petzinger	422/194
4,125,394	A *	11/1978	Wilson	71/9
4,352,888	A *	10/1982	Tisbo et al.	435/290.1
4,683,674	A *	8/1987	Faul	47/83
D294,993	S *	3/1988	Faul	D34/1
D338,756	S *	8/1993	Pink et al.	D34/1

D368,349	S *	3/1996	Skold	D34/1
D526,110	S *	8/2006	Wentzel	D34/39
D613,925	S *	4/2010	Chenkin	D34/39

* cited by examiner

Primary Examiner — Cynthia Ramirez

(74) *Attorney, Agent, or Firm* — Head, Johnson & Kachigan, P.C.

(57) **CLAIM**

The ornamental design for a plastic barrel, as shown and described.

DESCRIPTION

FIG. 1 is a top view of a plastic barrel showing my new design;

FIG. 2 is a front view thereof;

FIG. 3 is a bottom view thereof;

FIG. 4 is a left view thereof;

FIG. 5 is a right view thereof;

FIG. 6 is a rear view thereof;

FIG. 7 is a perspective view of the plastic barrel in a closed position; and,

FIG. 8 is a perspective view of the plastic barrel in an open position.

The broken line portions of the plastic barrel in FIGS. 1 through 8 are included for the purposes of illustrating unclaimed subject matter and form no part of the claimed design.

1 Claim, 4 Drawing Sheets

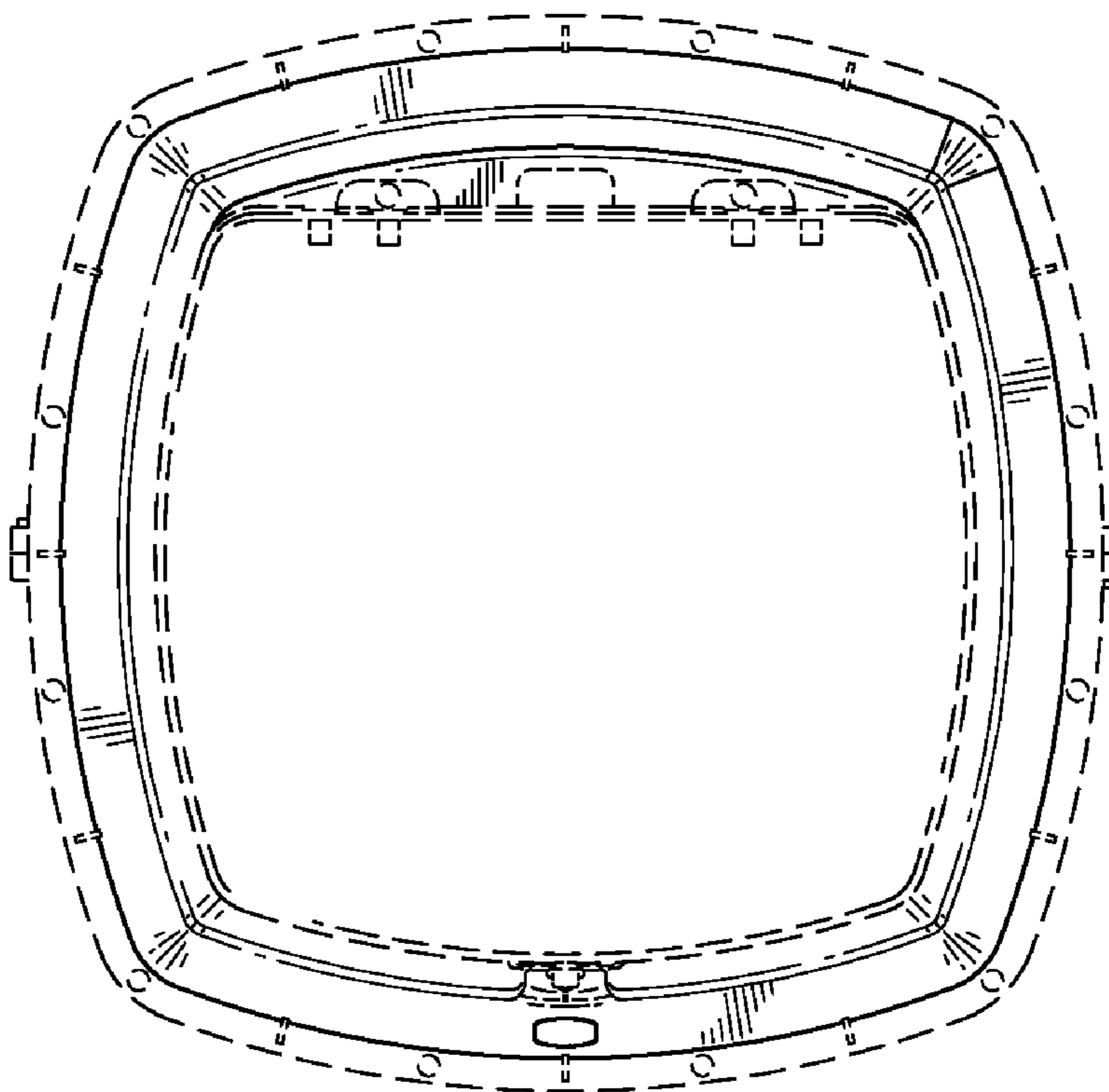


FIG. 1

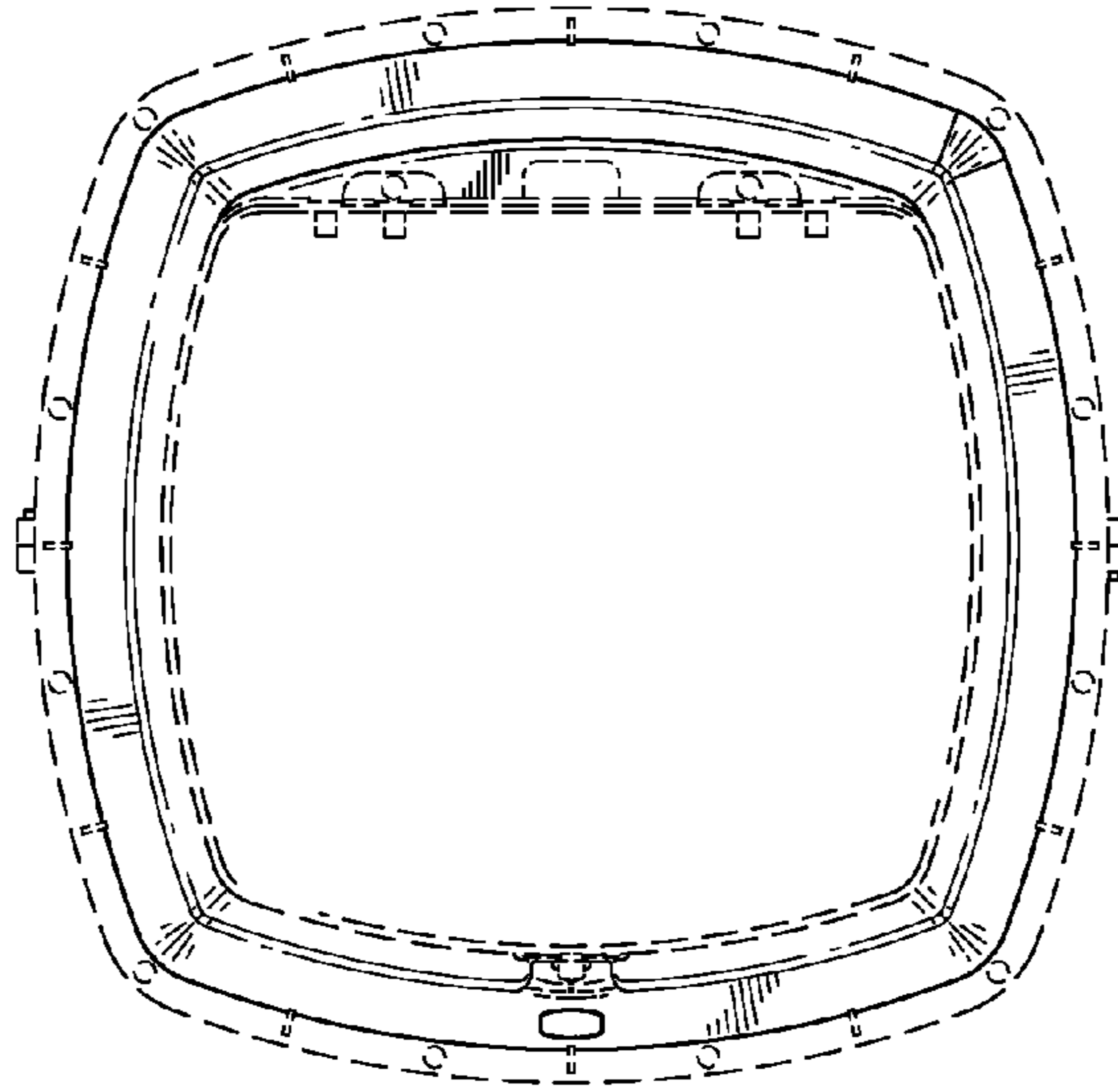


FIG. 2

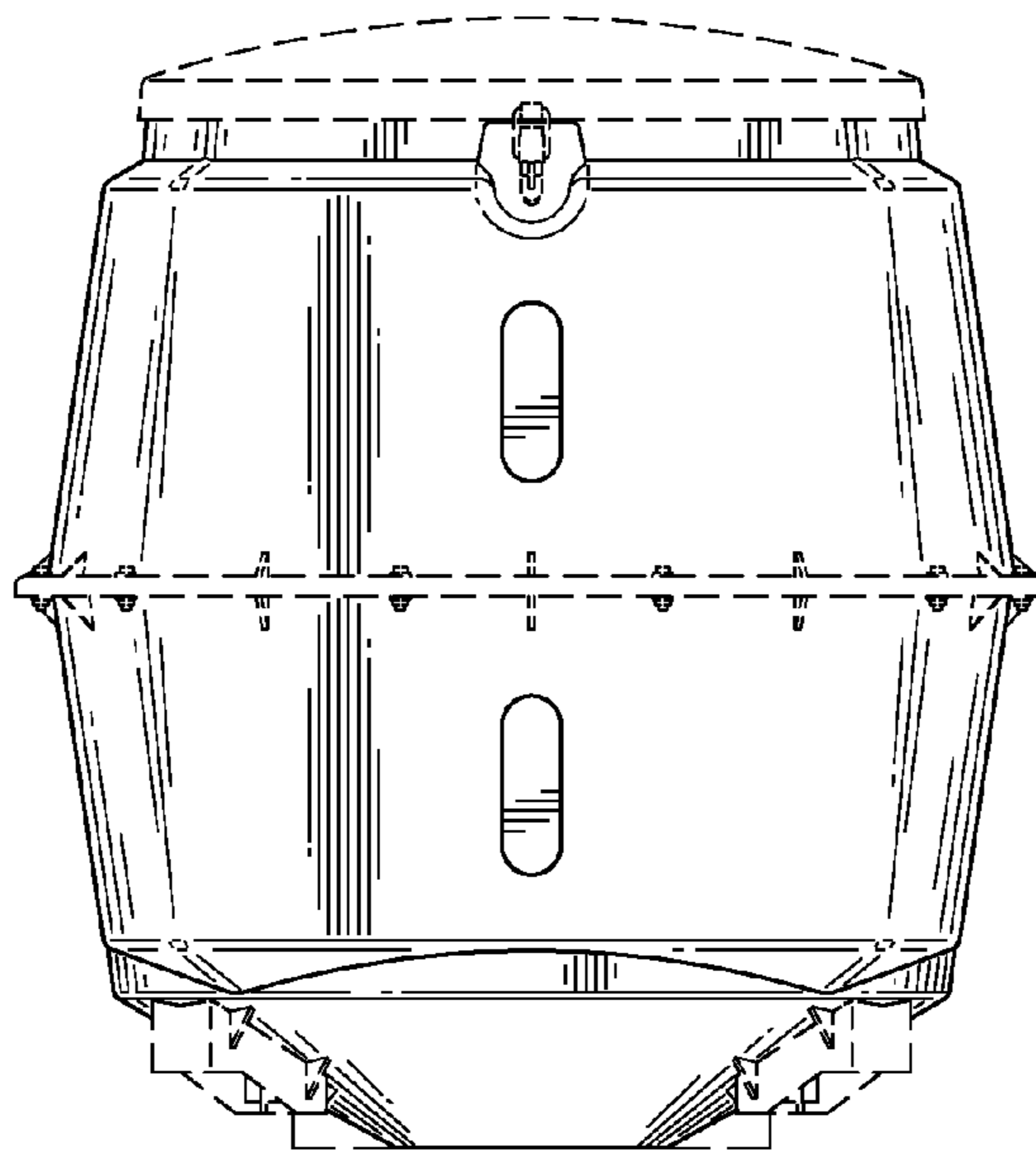


FIG. 3

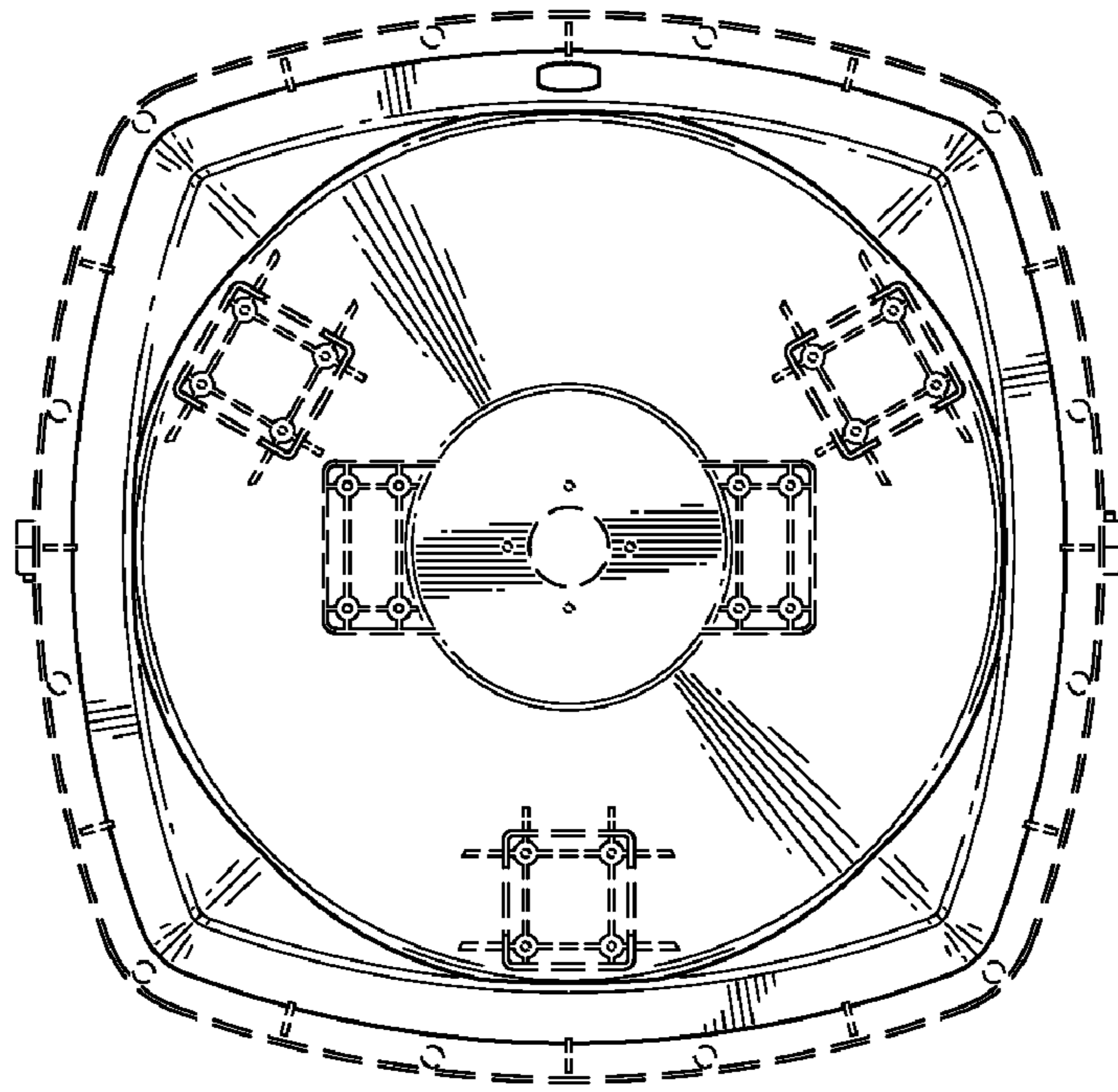
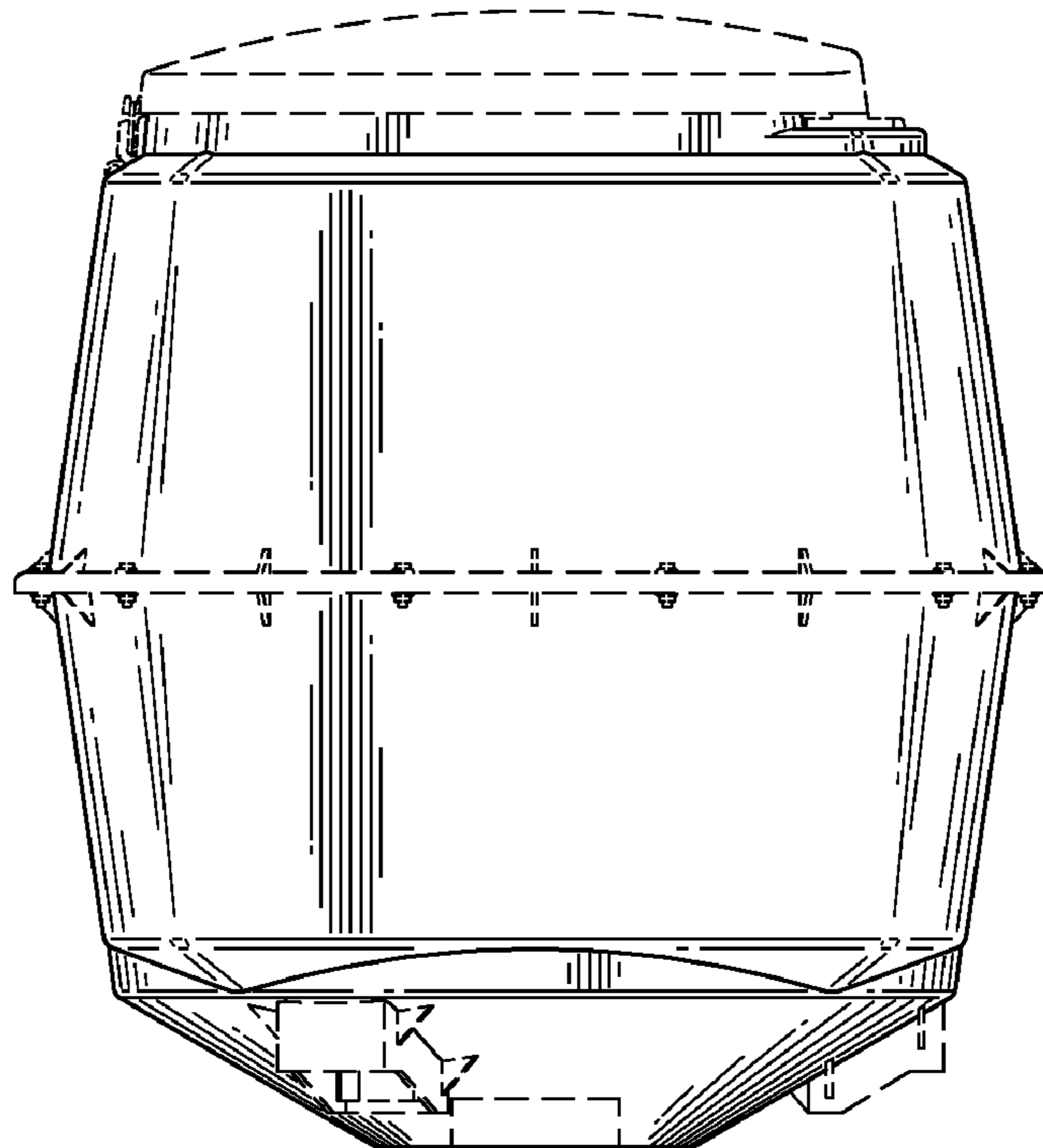


FIG. 4



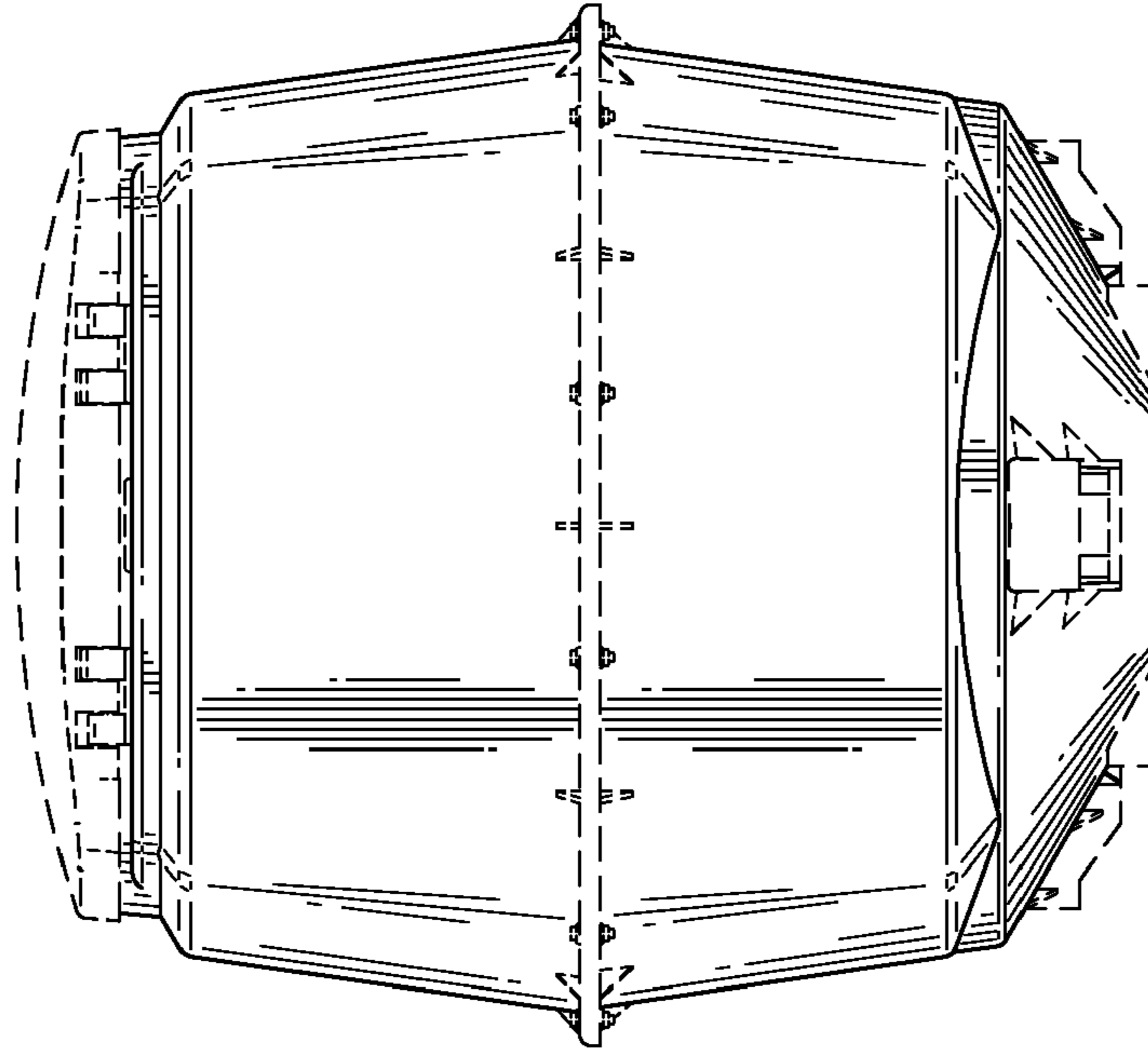


FIG. 6

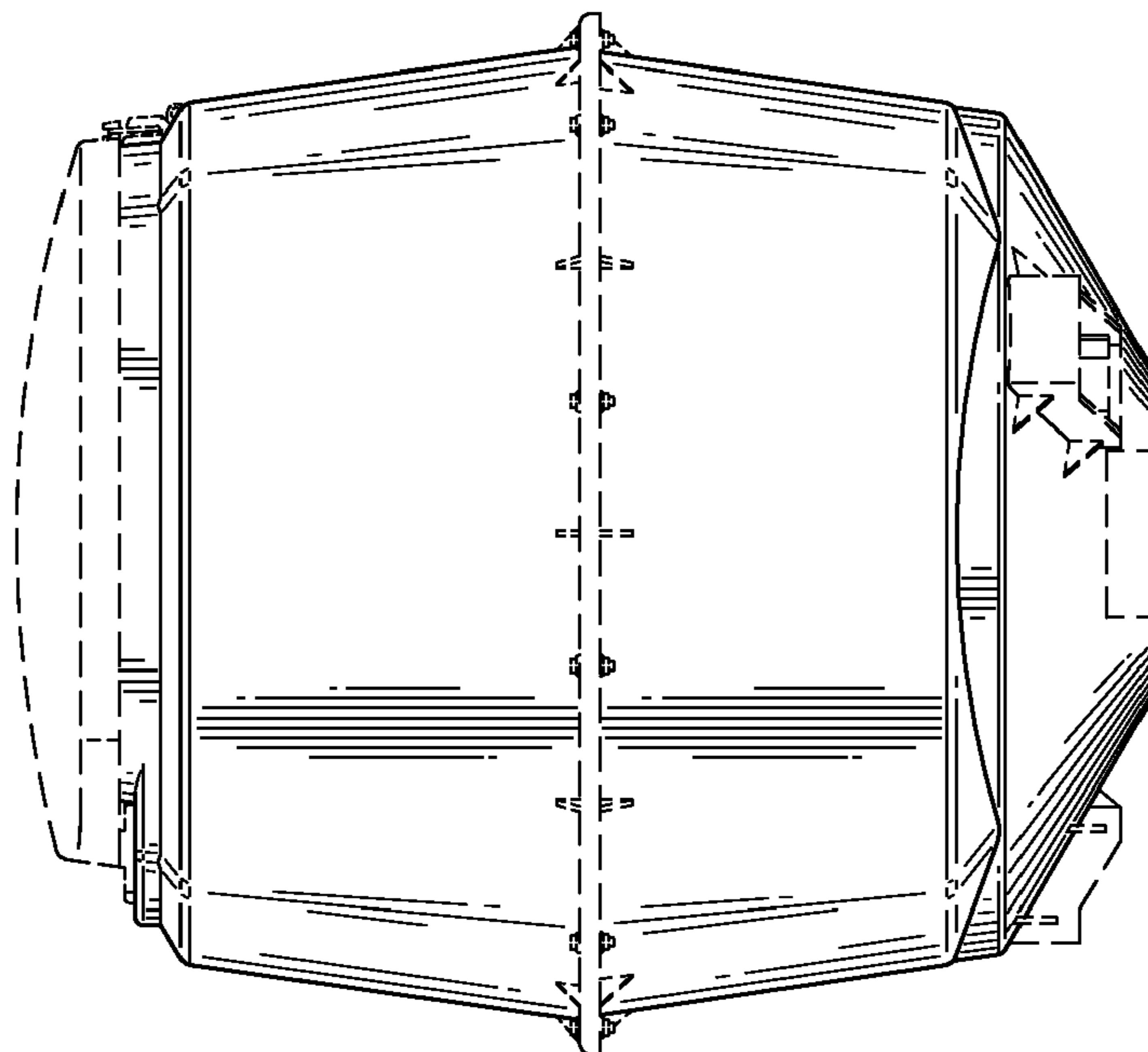


FIG. 5

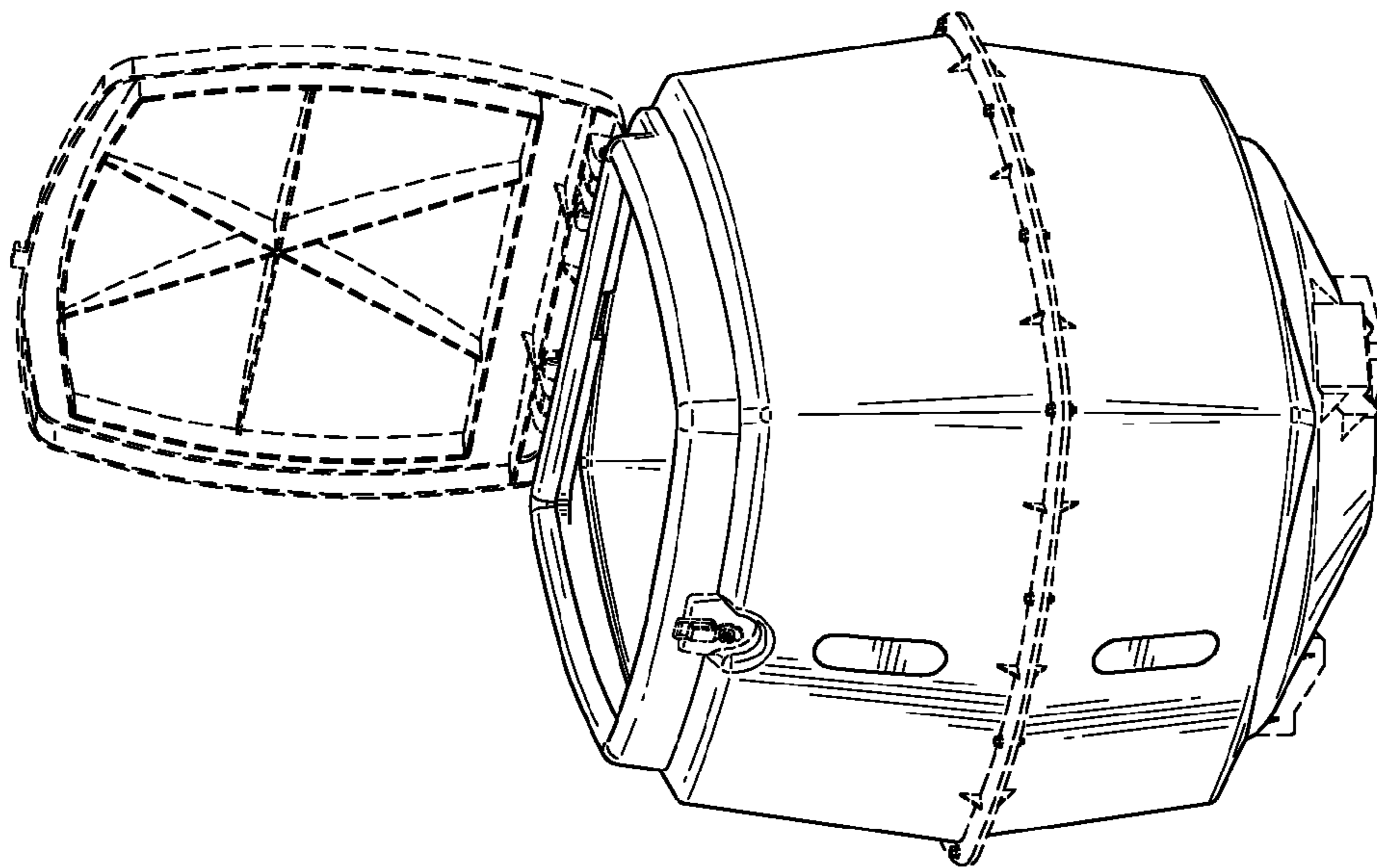


FIG. 8

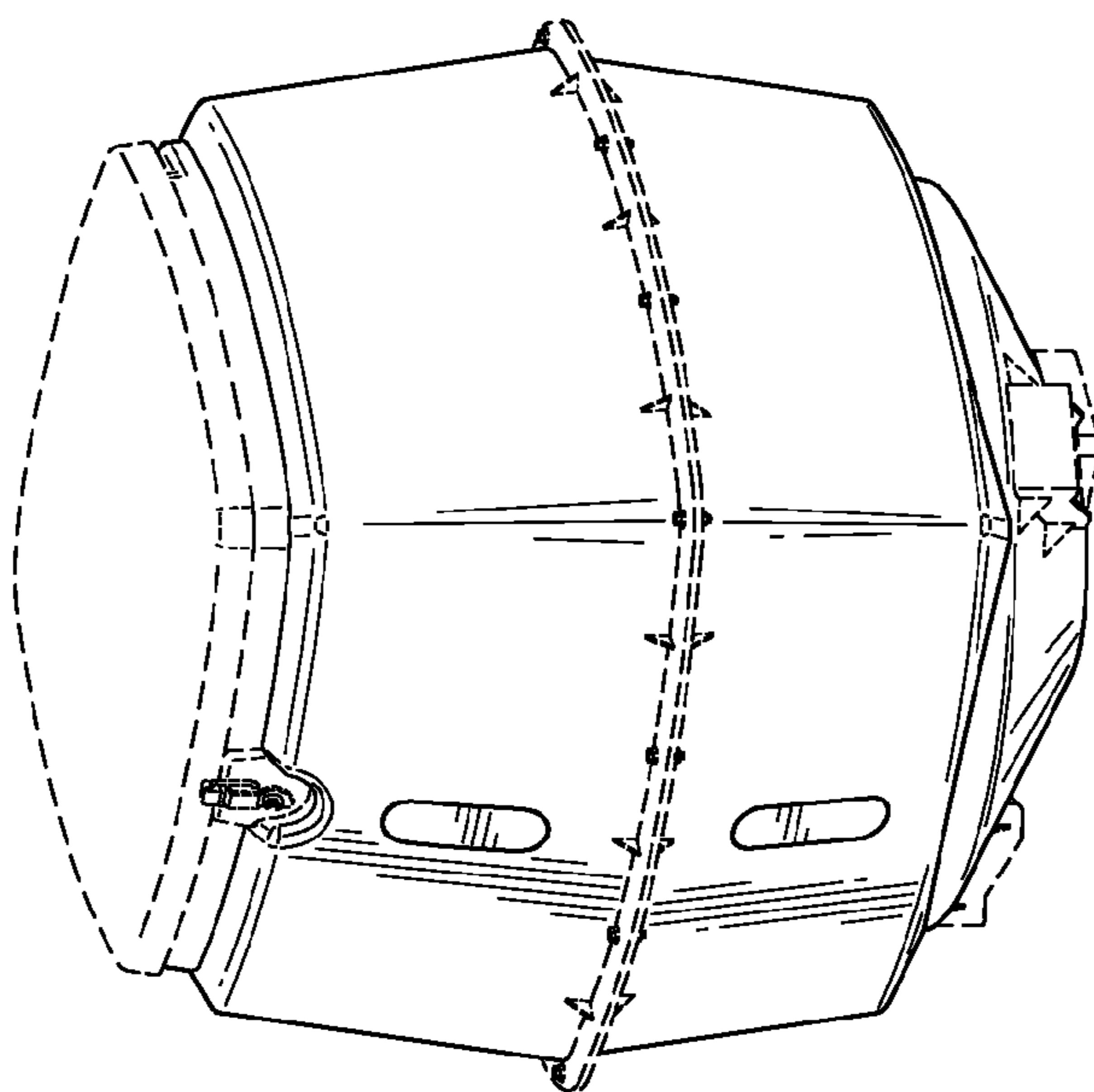


FIG. 7