



US00D646453S

(12) **United States Design Patent**
Zhou

(10) **Patent No.:** **US D646,453 S**

(45) **Date of Patent:** **** Oct. 4, 2011**

(54) **LIFTING JACK**

(76) Inventor: **Haoliang Zhou**, Zhejiang (CN)

(**) Term: **14 Years**

(21) Appl. No.: **29/380,943**

(22) Filed: **Dec. 14, 2010**

(51) **LOC (9) Cl.** **12-05**

(52) **U.S. Cl.** **D34/31**

(58) **Field of Classification Search** D34/31,

D34/28; 254/8 B, 93 H, 133 R

See application file for complete search history.

(56) **References Cited**

U.S. PATENT DOCUMENTS

3,807,694	A *	4/1974	Butorac	254/8 B
D285,854	S *	9/1986	Persson	D34/31
D358,923	S *	5/1995	Hawkins	D34/31
D423,750	S *	4/2000	Hung	D34/31
6,086,047	A *	7/2000	Lee	254/8 B

6,357,724	B1 *	3/2002	Hung	254/8 B
D561,422	S *	2/2008	Kuen et al.	D34/31
D628,760	S *	12/2010	Fox et al.	D34/31
2005/0035337	A1 *	2/2005	Hung	254/8 B
2005/0092973	A1 *	5/2005	Tatsumi	254/8 B
2008/0083913	A1 *	4/2008	Fang et al.	254/8 B

* cited by examiner

Primary Examiner — Cynthia Ramirez

(57) **CLAIM**

The ornamental design for a lifting jack, as shown.

DESCRIPTION

FIG. 1 is a front elevational view of a lifting jack showing my new design;

FIG. 2 is a rear elevational view thereof;

FIG. 3 is a left side view thereof;

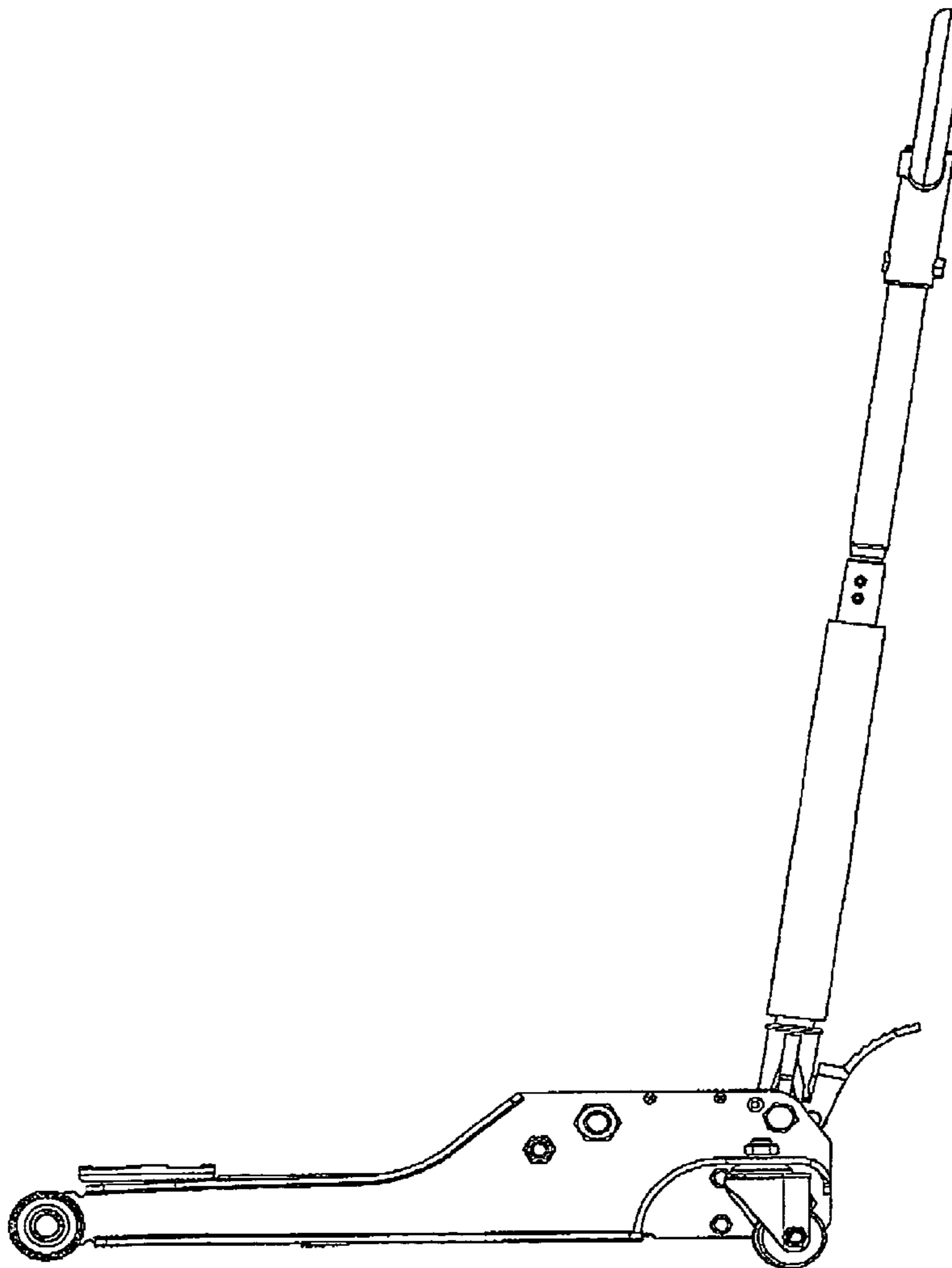
FIG. 4 is a right side view thereof;

FIG. 5 is a top plan view thereof;

FIG. 6 is a bottom plan view thereof; and,

FIG. 7 is a perspective view thereof.

1 Claim, 6 Drawing Sheets



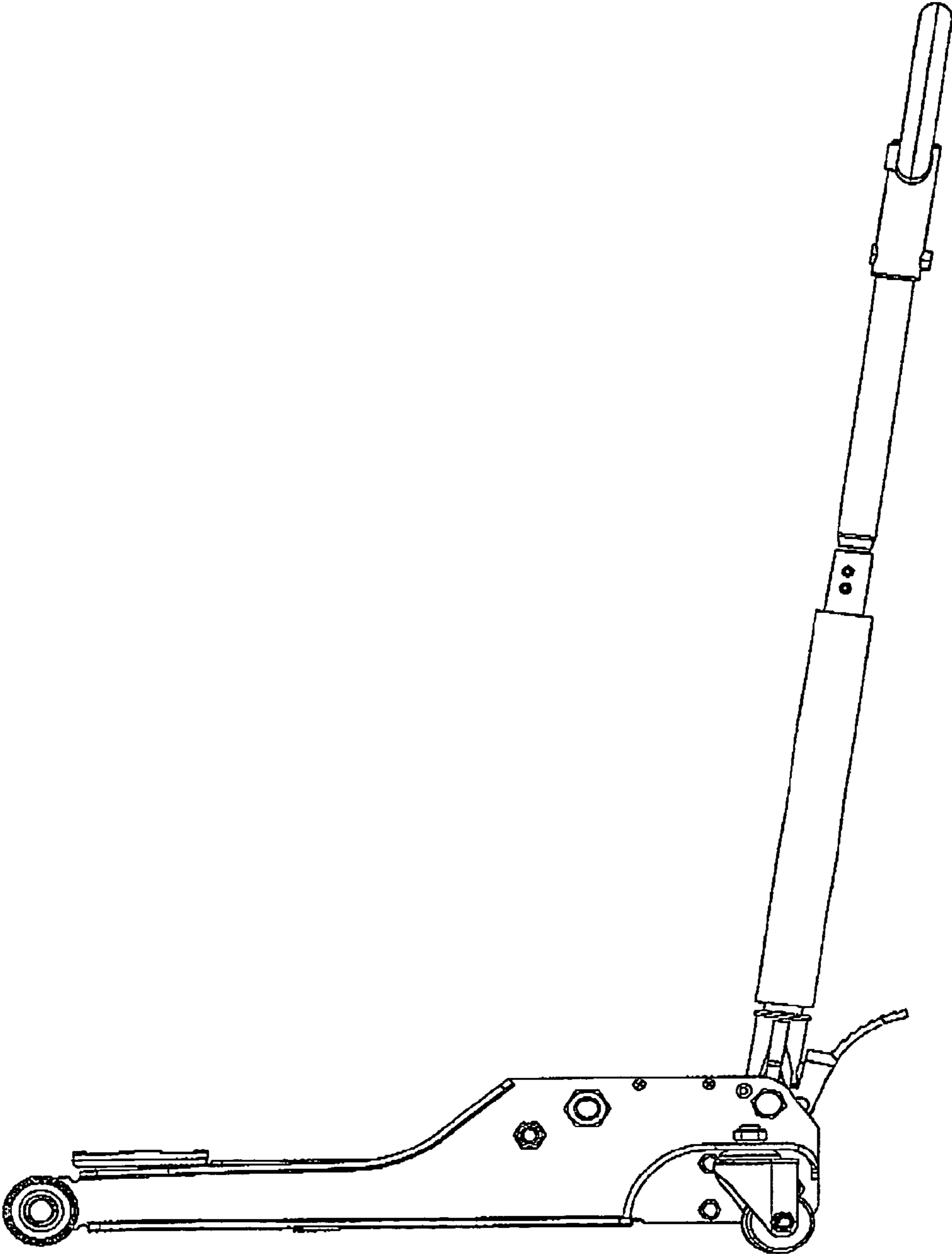


FIG. 1

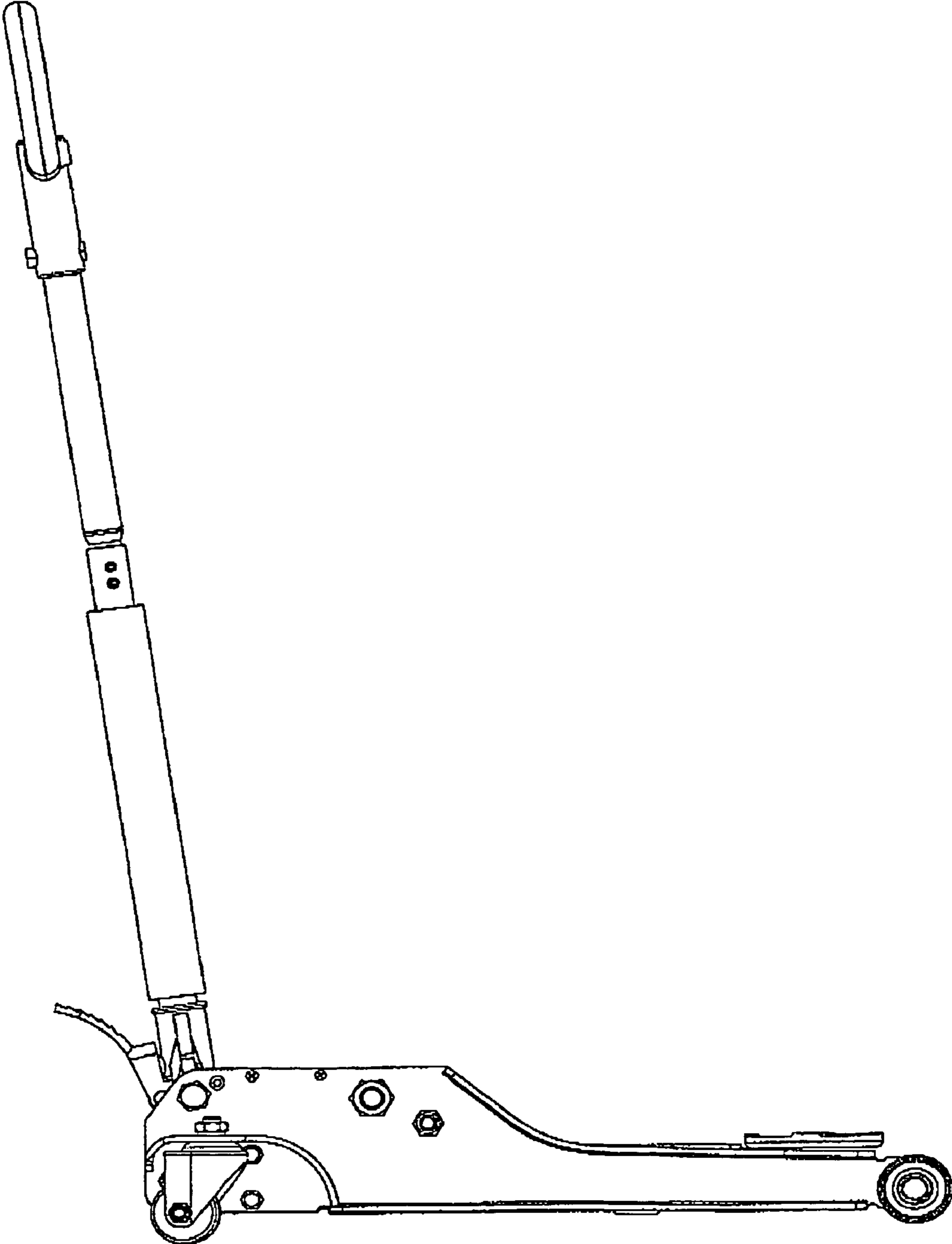


FIG. 2

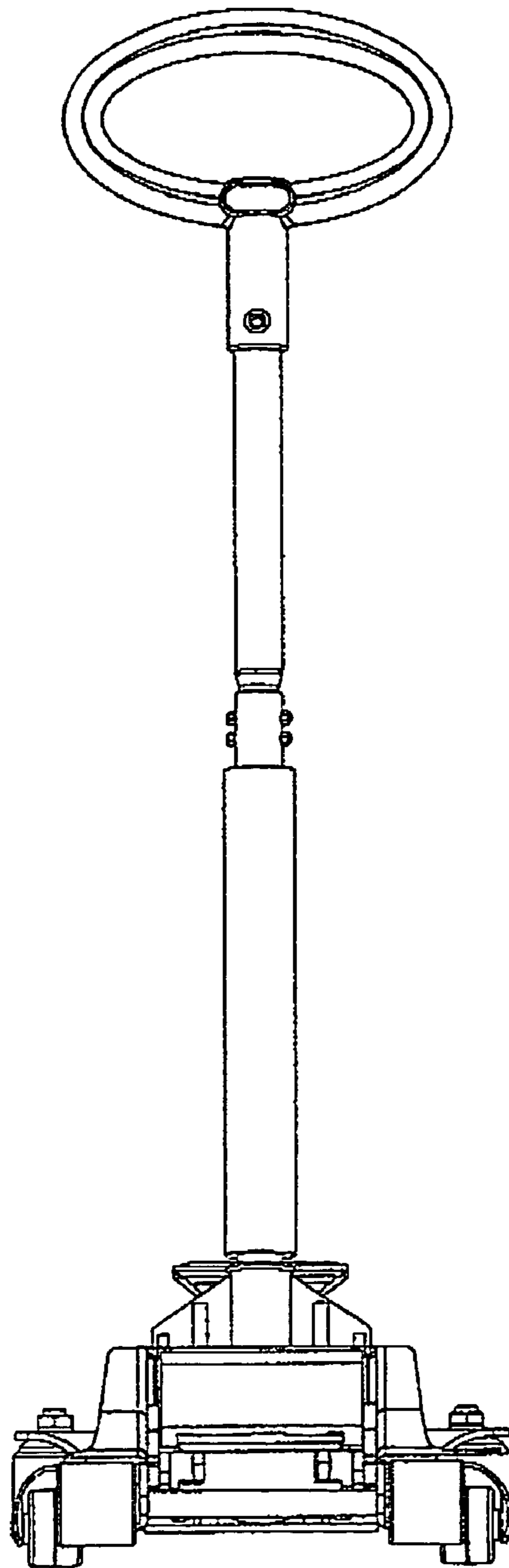


FIG. 3

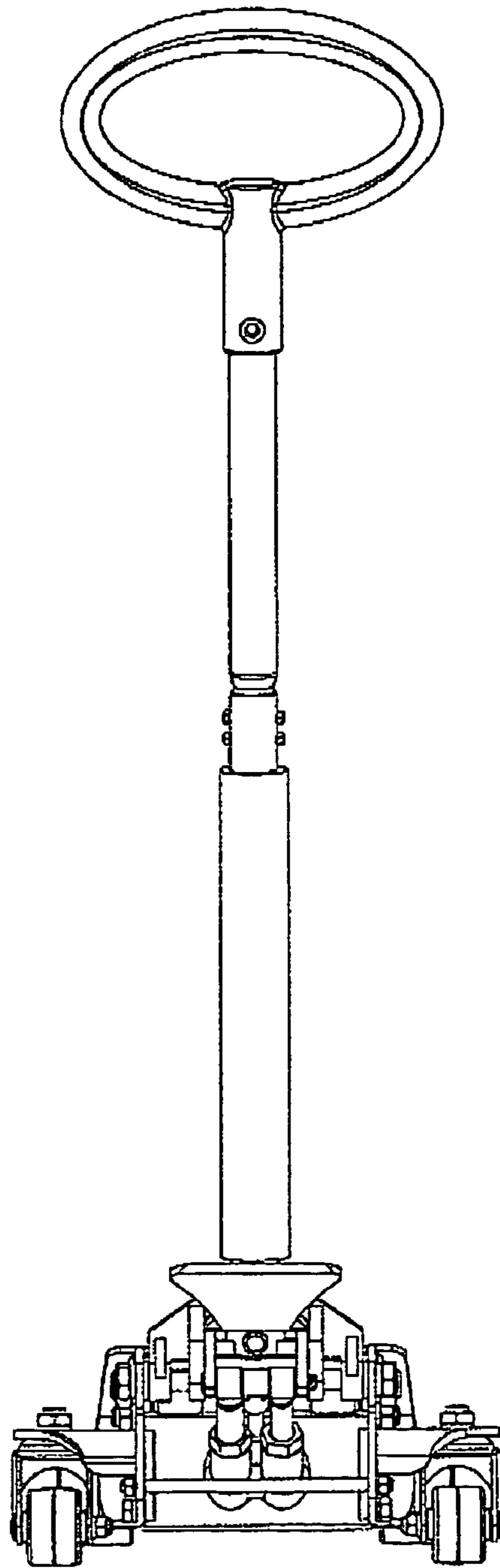


FIG. 4

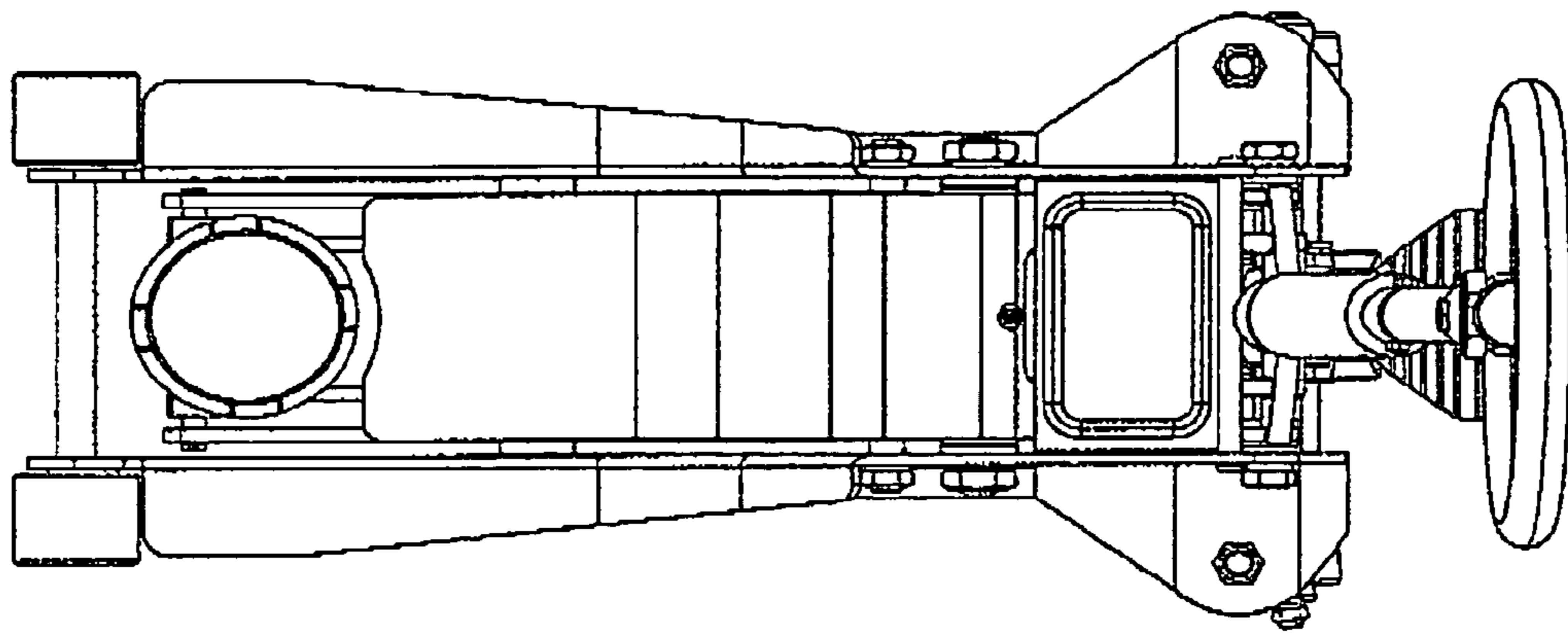


FIG. 5

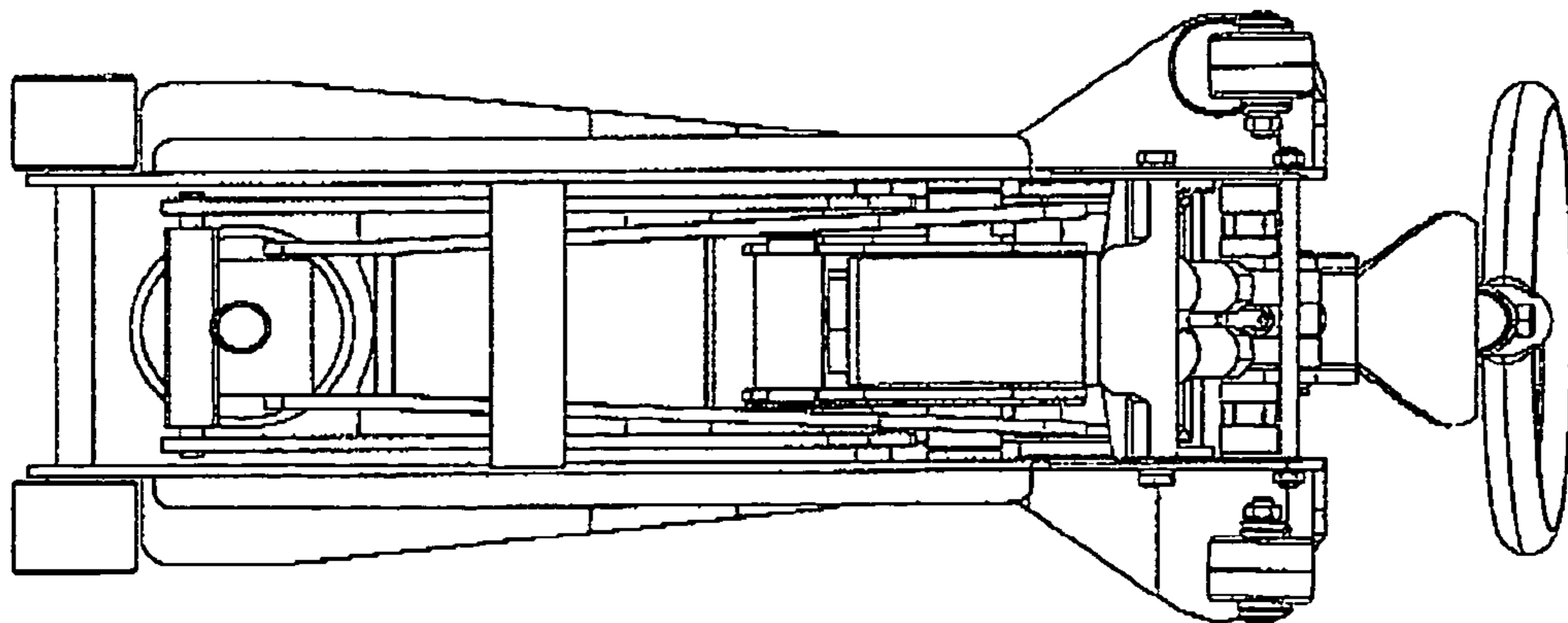


FIG. 6

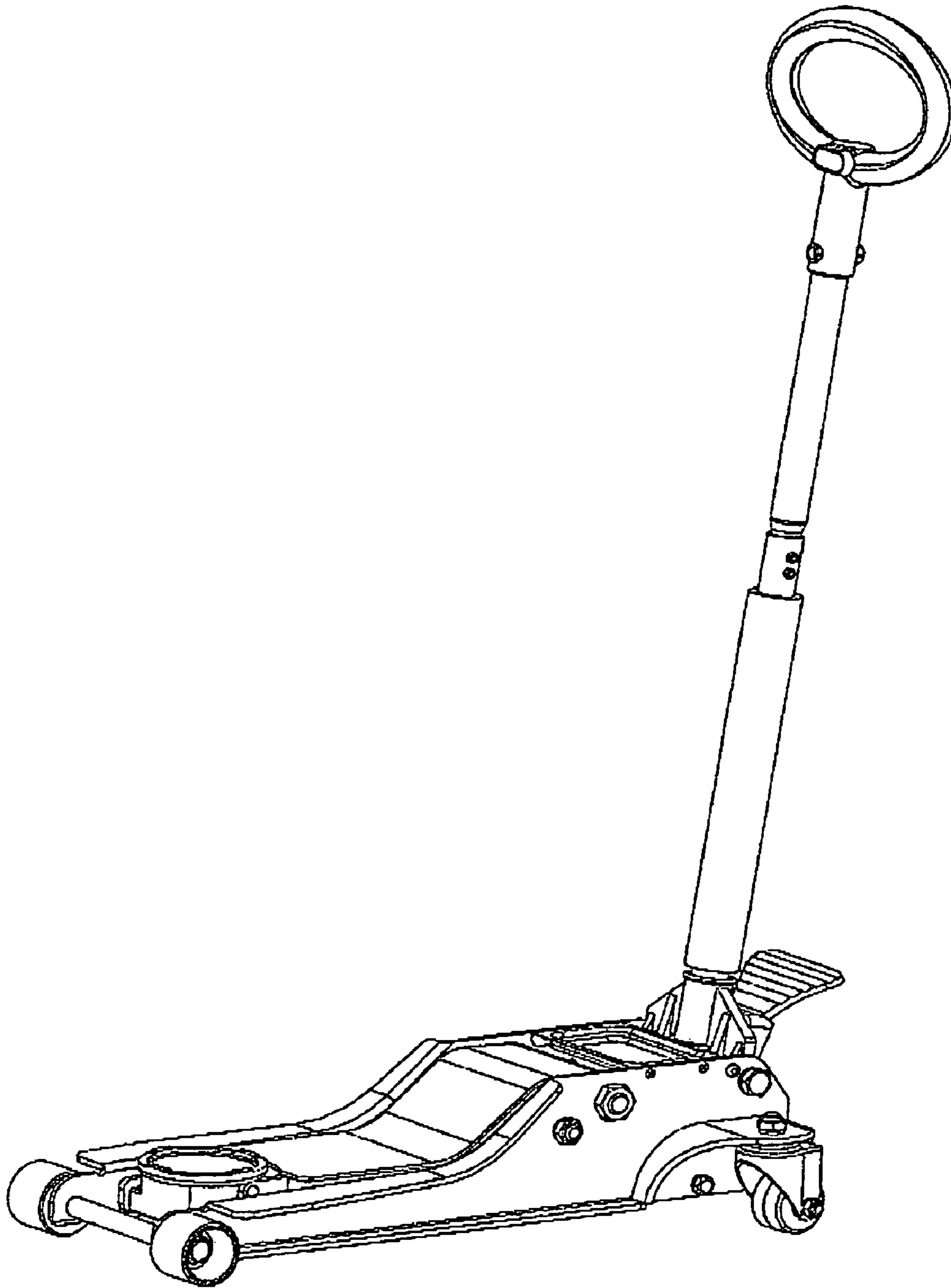


FIG. 7