



US00D646450S

(12) **United States Design Patent**
Yang et al.

(10) **Patent No.:** **US D646,450 S**

(45) **Date of Patent:** **** Oct. 4, 2011**

(54) **DISHRACK**

(75) Inventors: **Frank Yang**, Rancho Palos Verdes, CA (US); **Tzu-Hao Wei**, Hacienda Heights, CA (US); **Myk Lum**, Irvine, CA (US); **Adam Wade**, Rancho Santa Margarita, CA (US)

(73) Assignee: **SimpleHuman LLC**, Torrance, CA (US)

(**) Term: **14 Years**

(21) Appl. No.: **29/357,558**

(22) Filed: **Mar. 12, 2010**

(51) **LOC (9) Cl.** **07-05**

(52) **U.S. Cl.** **D32/55**

(58) **Field of Classification Search** D32/55,
D32/276, 3; D6/510, 525; D30/133; 211/41.5,
211/41.4, 41.3, 41.8; 361/679.4; 312/311,
312/333, 334.4

See application file for complete search history.

(56) **References Cited**

U.S. PATENT DOCUMENTS

2,708,037	A *	5/1955	Planeta	211/74
D374,526	S *	10/1996	Breen et al.	D32/55
D520,699	S *	5/2006	Yang et al.	D32/55
7,228,975	B2 *	6/2007	Yang et al.	211/41.4
D581,619	S *	11/2008	Yang et al.	D32/55
D599,067	S *	8/2009	Yang et al.	D32/55
D599,068	S *	8/2009	Yang et al.	D32/55
D599,519	S *	9/2009	Cohen	D32/55
7,748,543	B2 *	7/2010	Yang et al.	211/41.3
2005/0269273	A1 *	12/2005	Yang et al.	211/41.4

2008/0029465	A1 *	2/2008	Yang et al.	211/41.5
2008/0116155	A1 *	5/2008	Yang et al.	211/41.3
2009/0211994	A1 *	8/2009	Yang et al.	211/41.4

* cited by examiner

Primary Examiner — Austin Murphy

(74) *Attorney, Agent, or Firm* — Liu & Liu

(57) **CLAIM**

The ornamental design for a dishrack, as shown and described.

DESCRIPTION

FIG. 1 is a left side perspective view of a dishrack showing our new design;

FIG. 2 is a rear view thereof;

FIG. 3 is a front view thereof;

FIG. 4 is a left side view thereof;

FIG. 5 is a right side view thereof;

FIG. 6 is a top plan view thereof; and,

FIG. 7 is a bottom plan view thereof.

FIG. 8 is a left side perspective view of a second embodiment of a dishrack showing our new design, wherein the stippling in the drawing indicates areas of contrasting appearance;

FIG. 9 is a rear view thereof;

FIG. 10 is a front view thereof;

FIG. 11 is a left side view thereof;

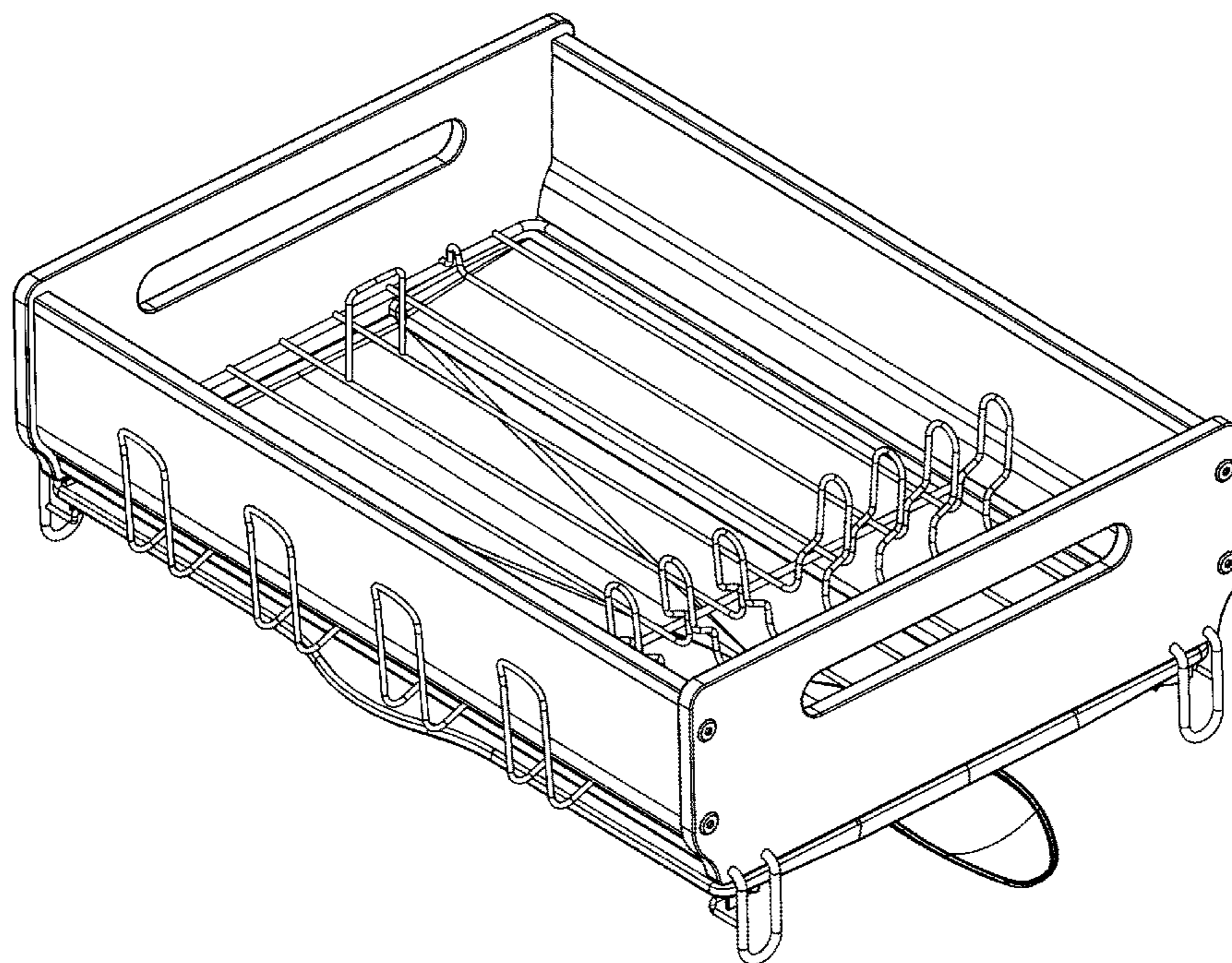
FIG. 12 is a right side view thereof;

FIG. 13 is a top plan view thereof; and,

FIG. 14 is a bottom plan view thereof.

The broken lines shown in the drawings represent portions of the dishrack that form no part of the claimed design.

1 Claim, 14 Drawing Sheets



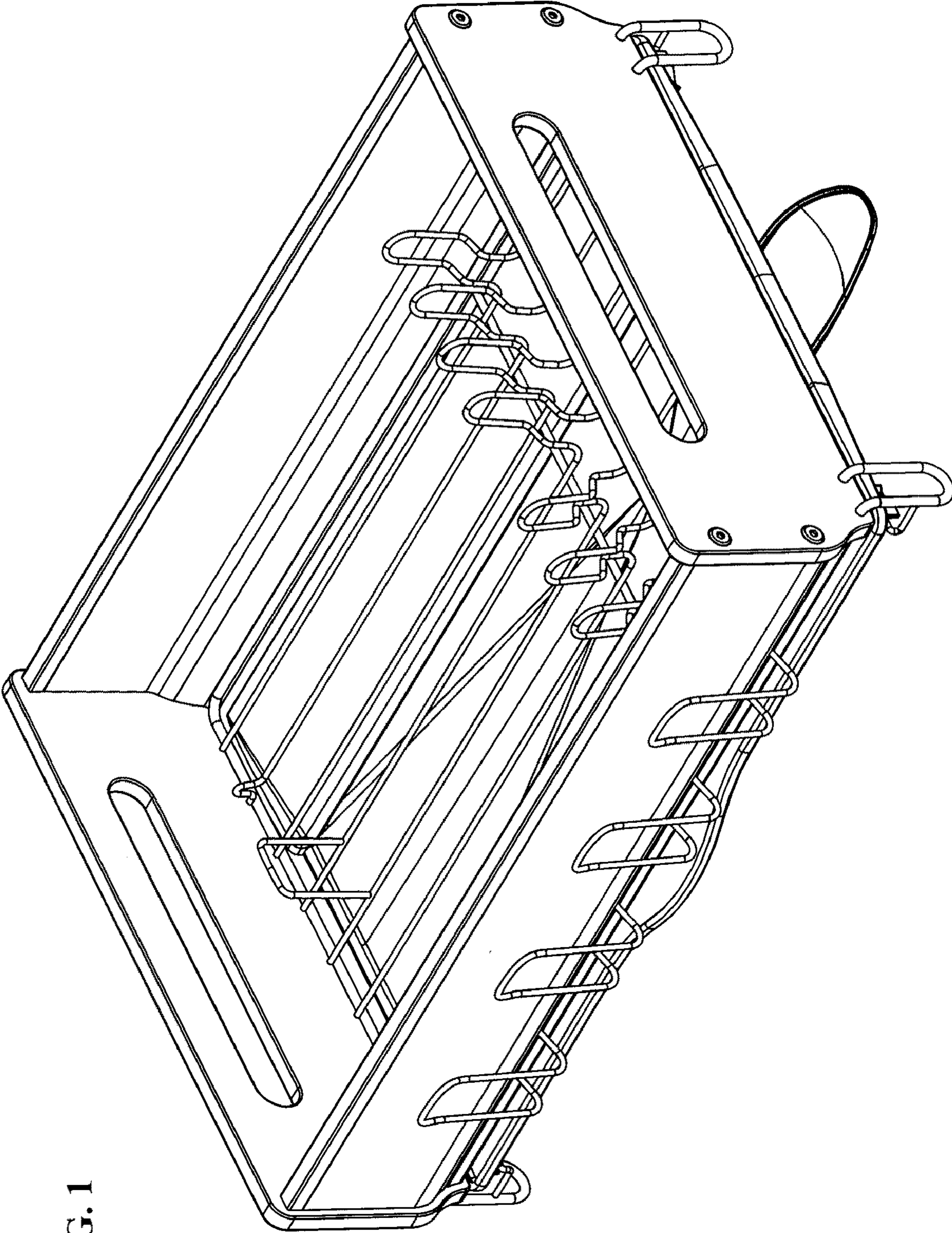


FIG. 1

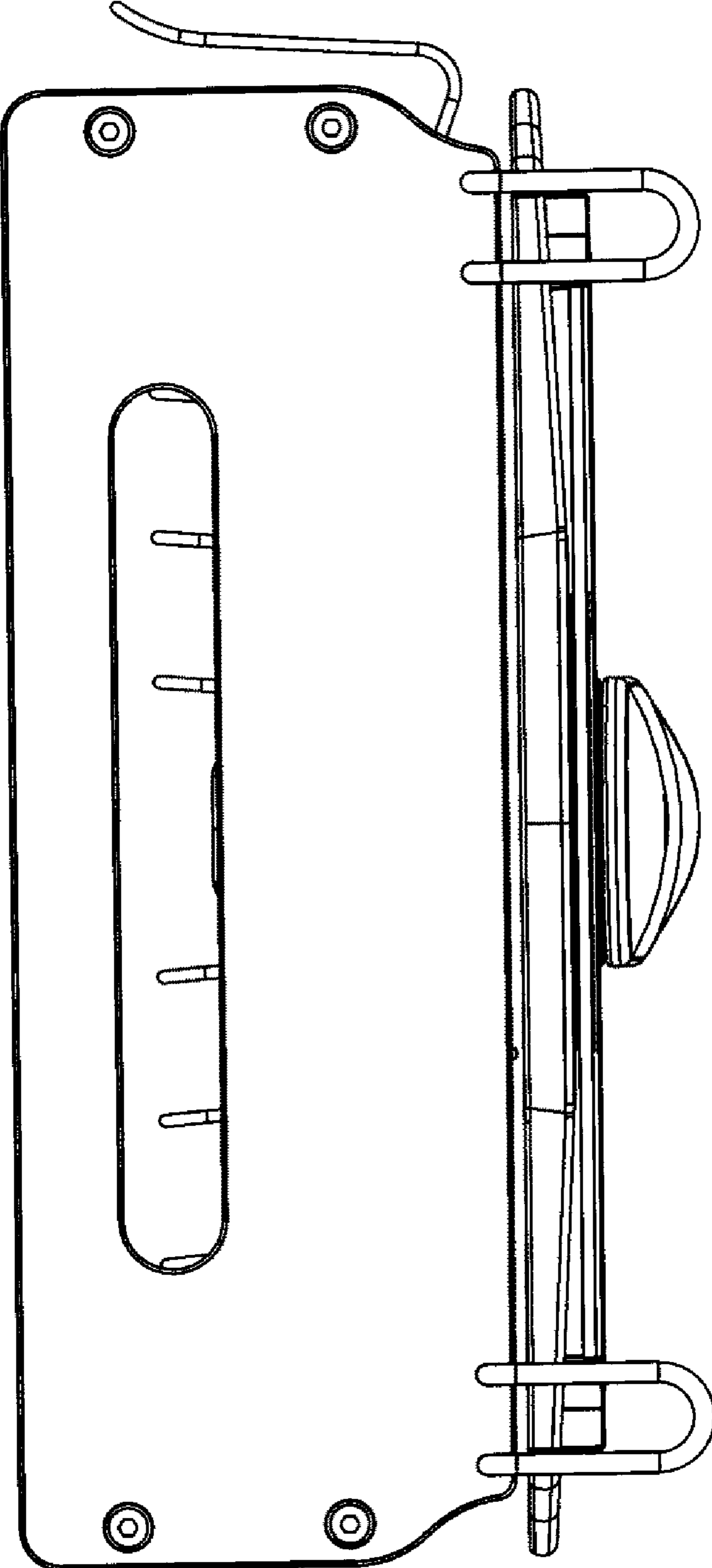


FIG. 2

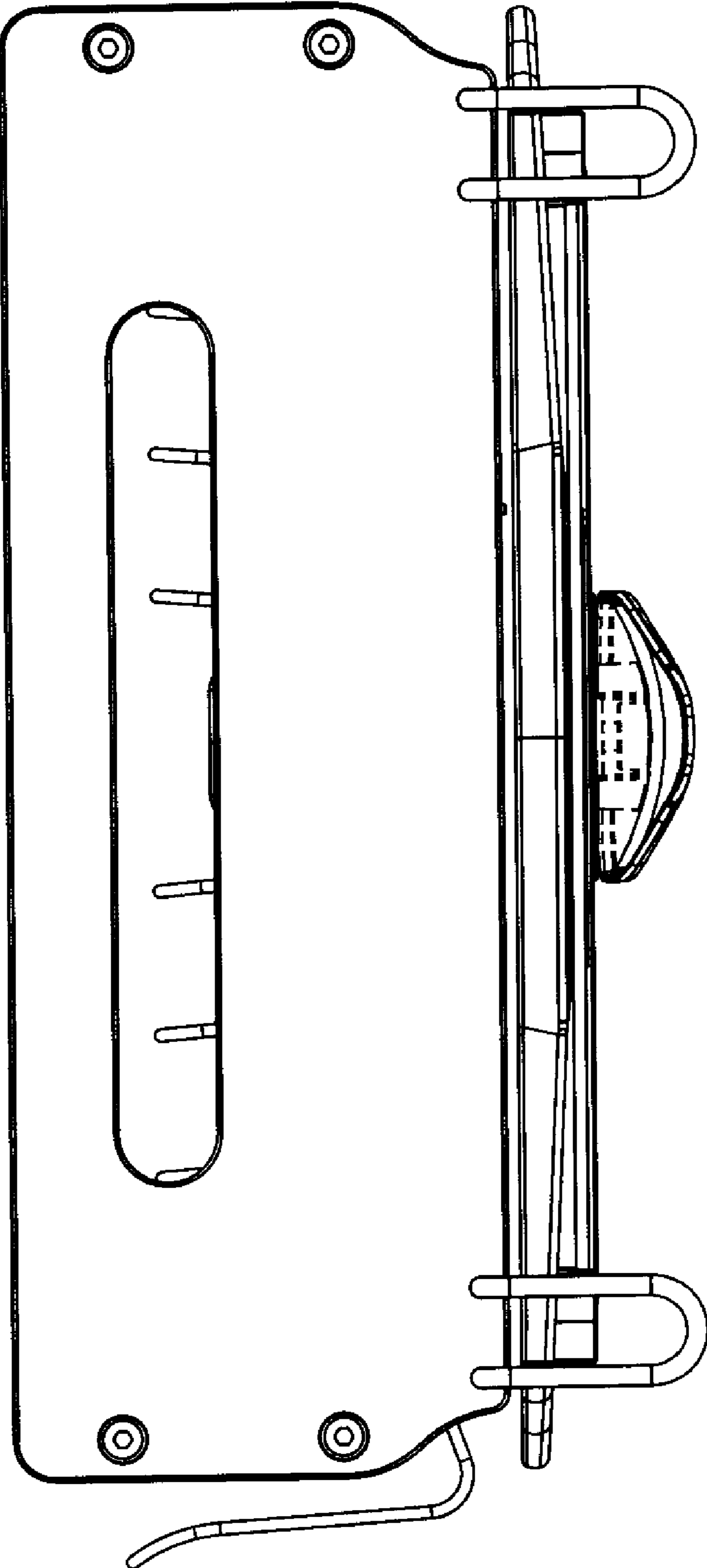


FIG. 3

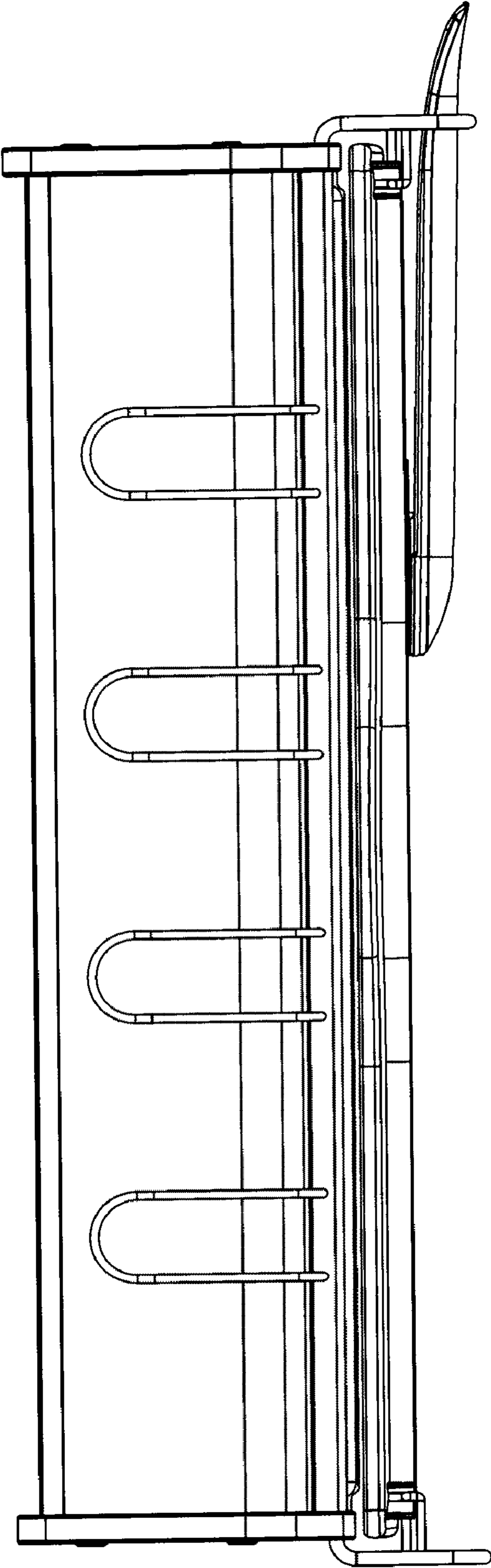
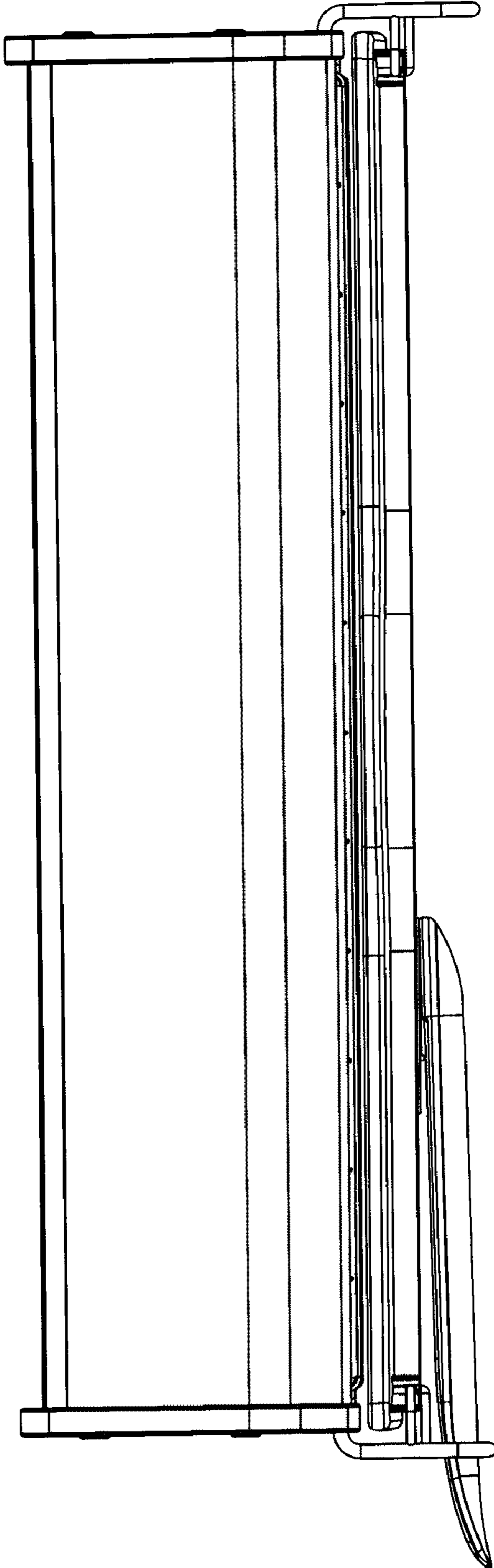


FIG. 4

FIG. 5



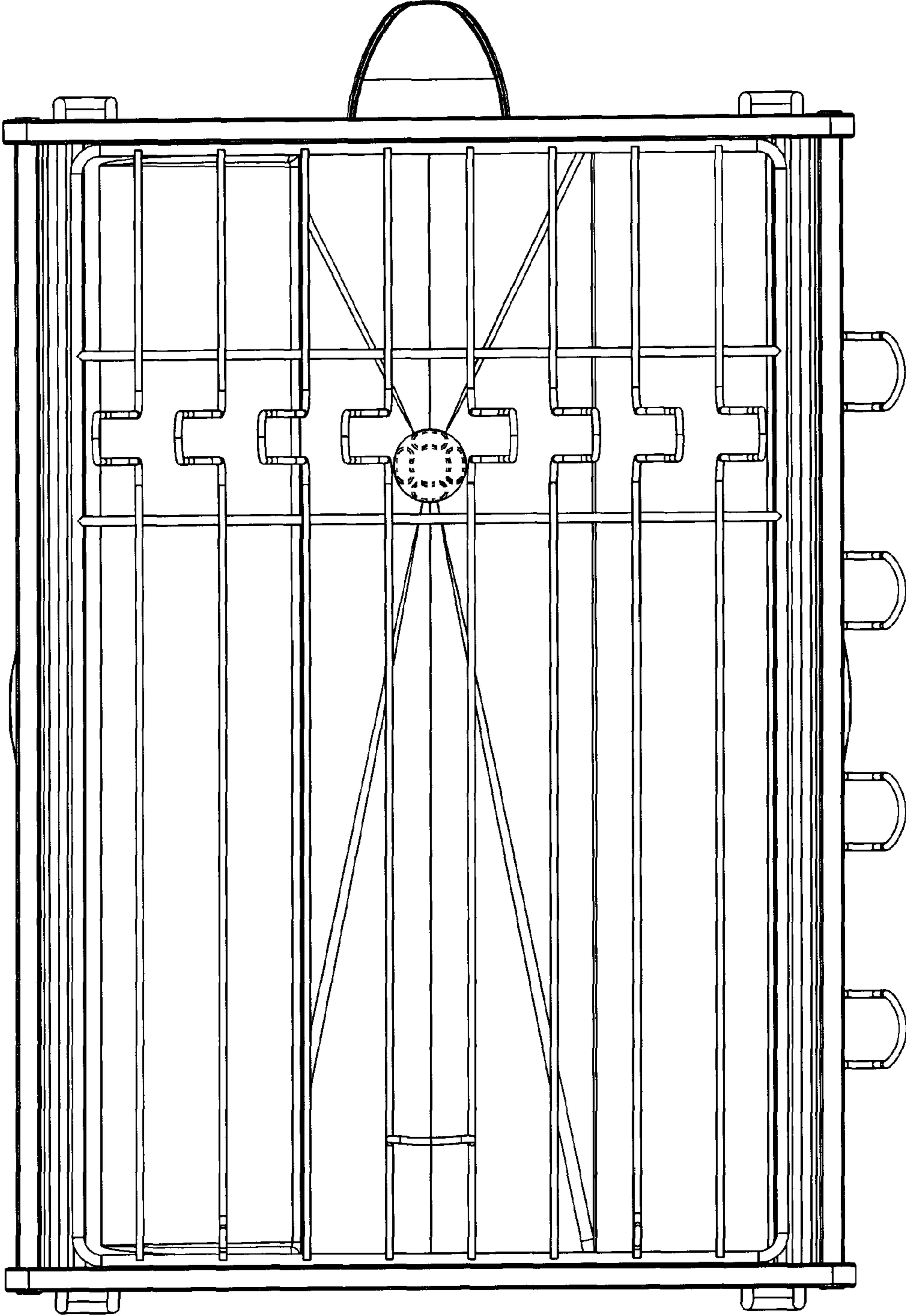


FIG. 6

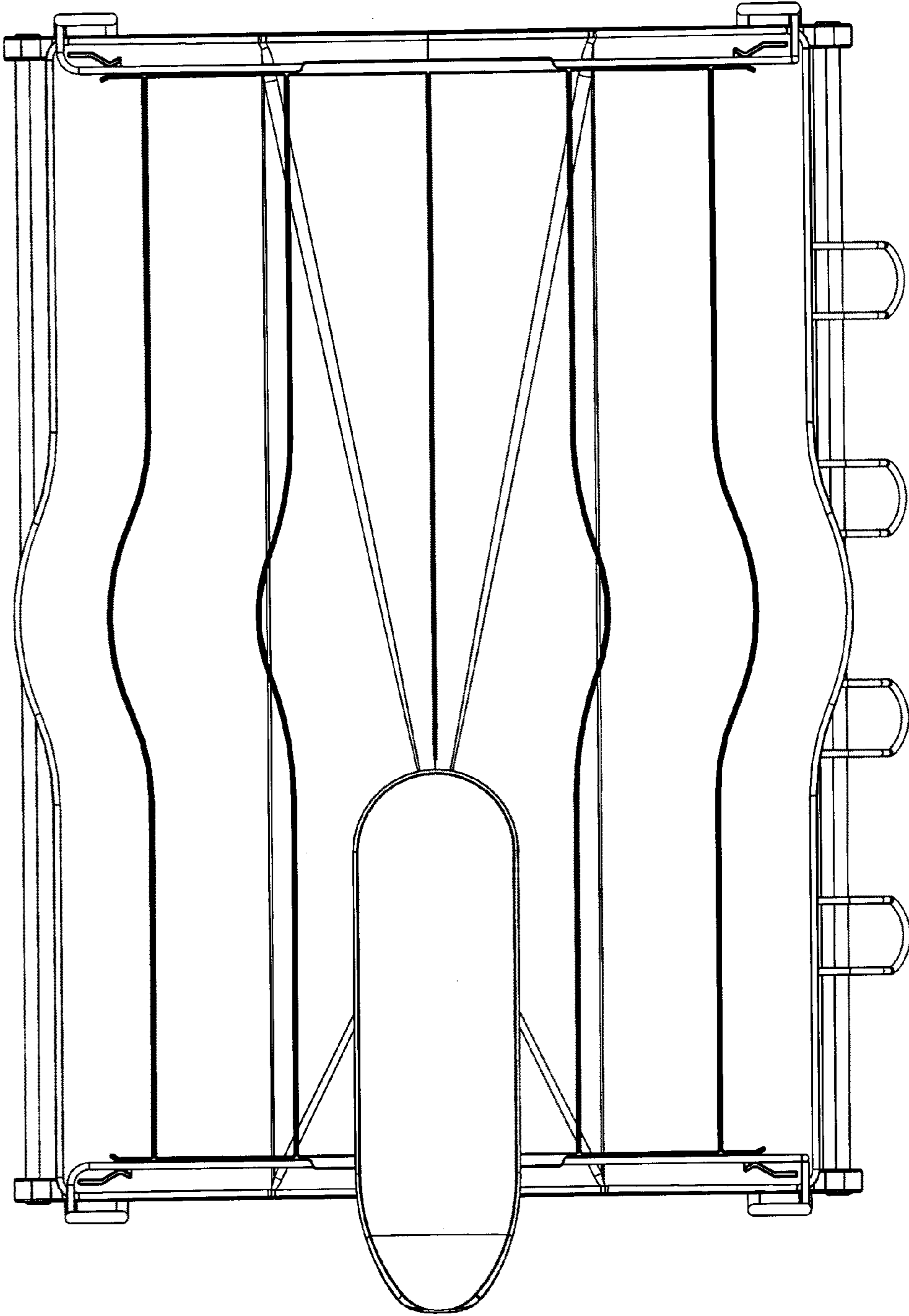


FIG. 7

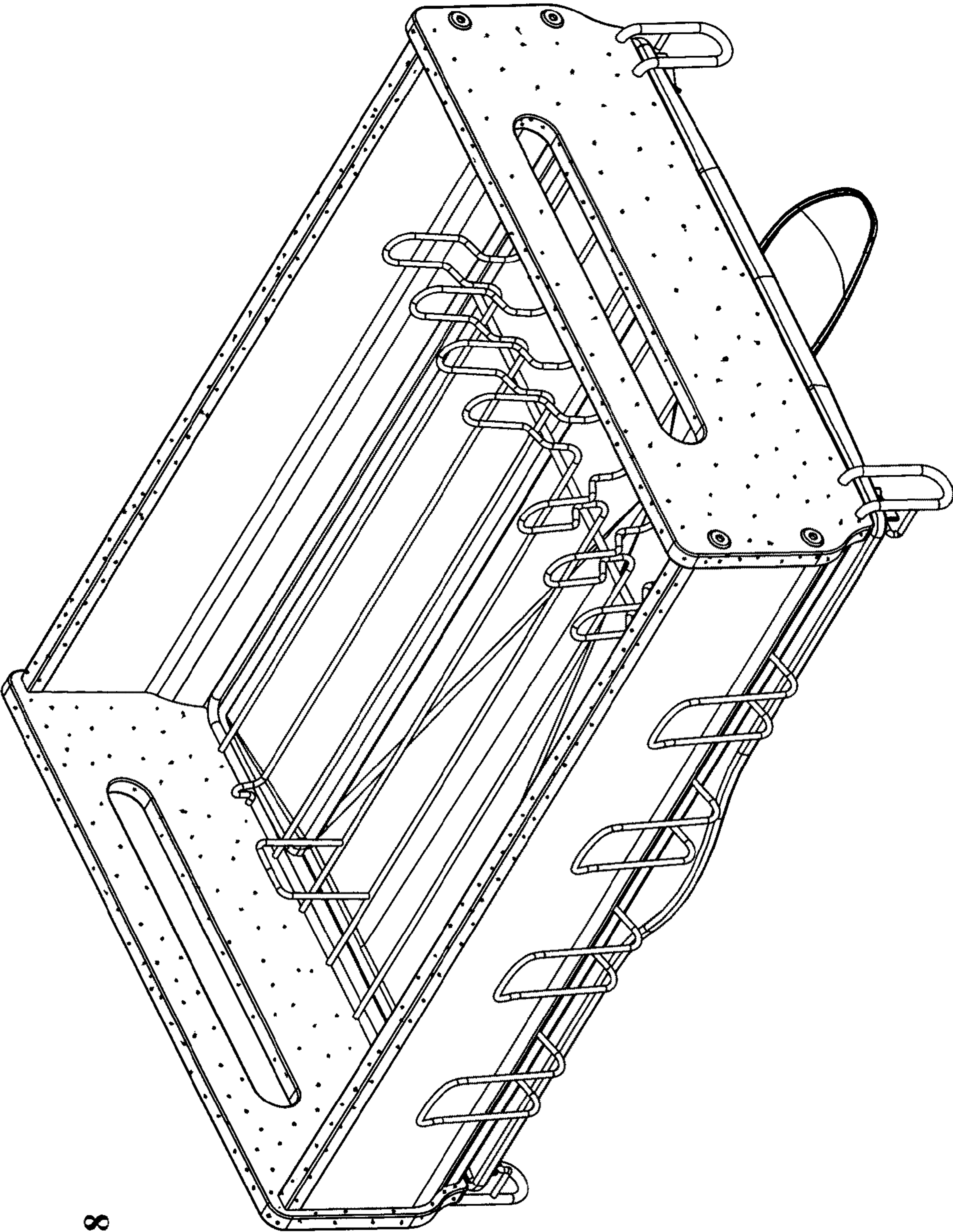


FIG. 8

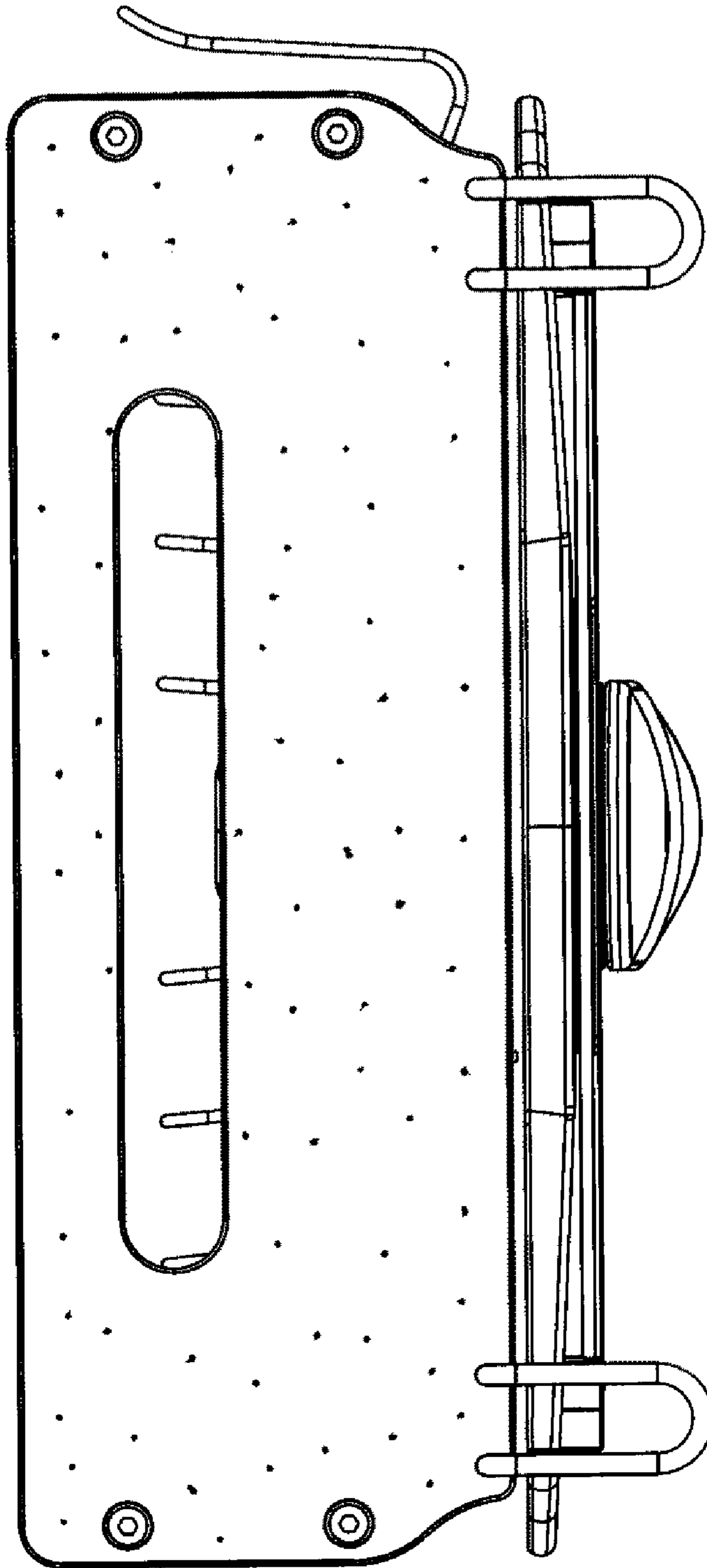
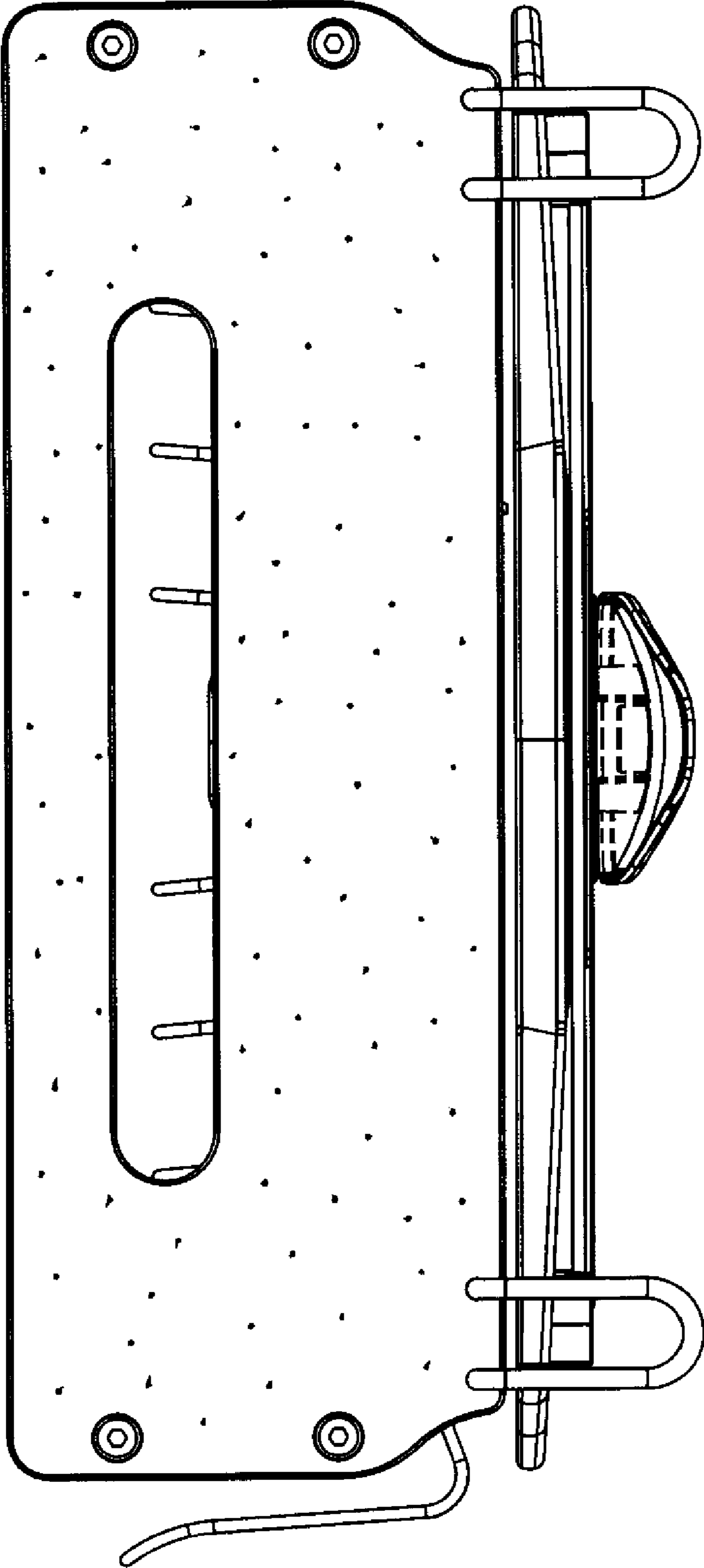


FIG. 9

FIG. 10



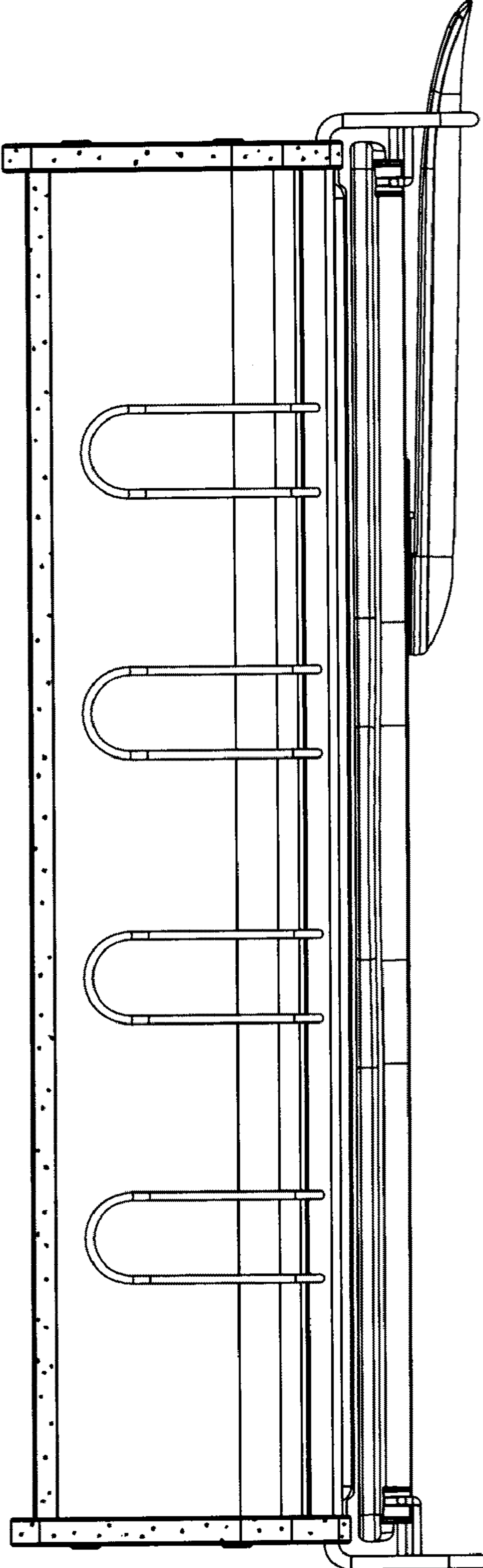


FIG. 11

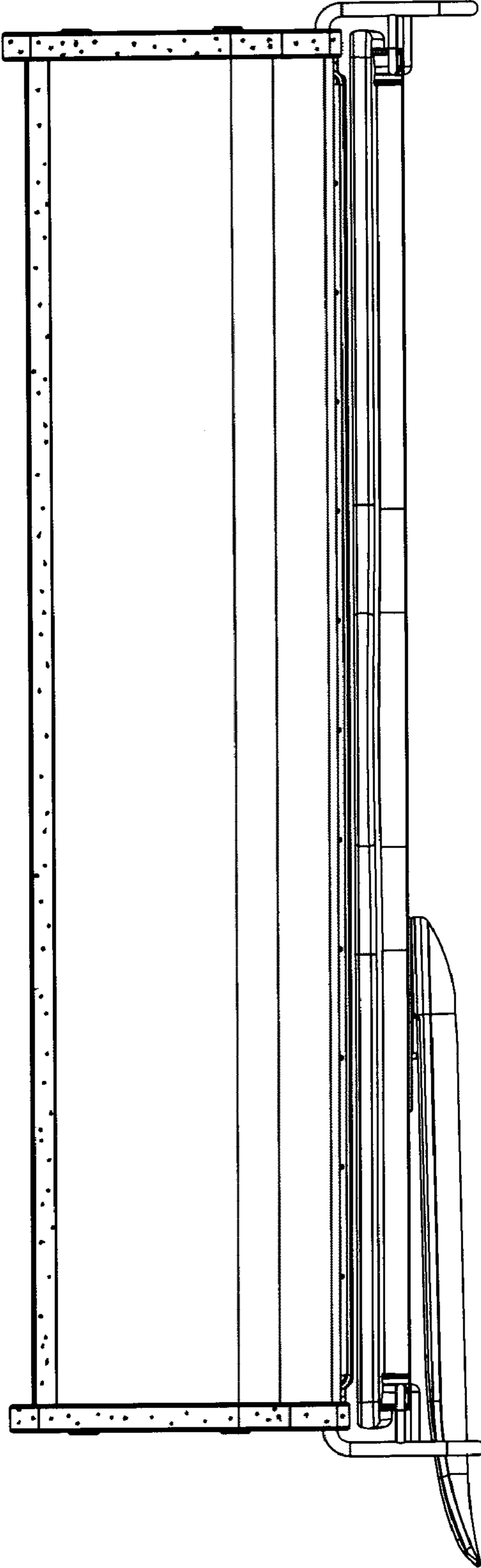


FIG. 12

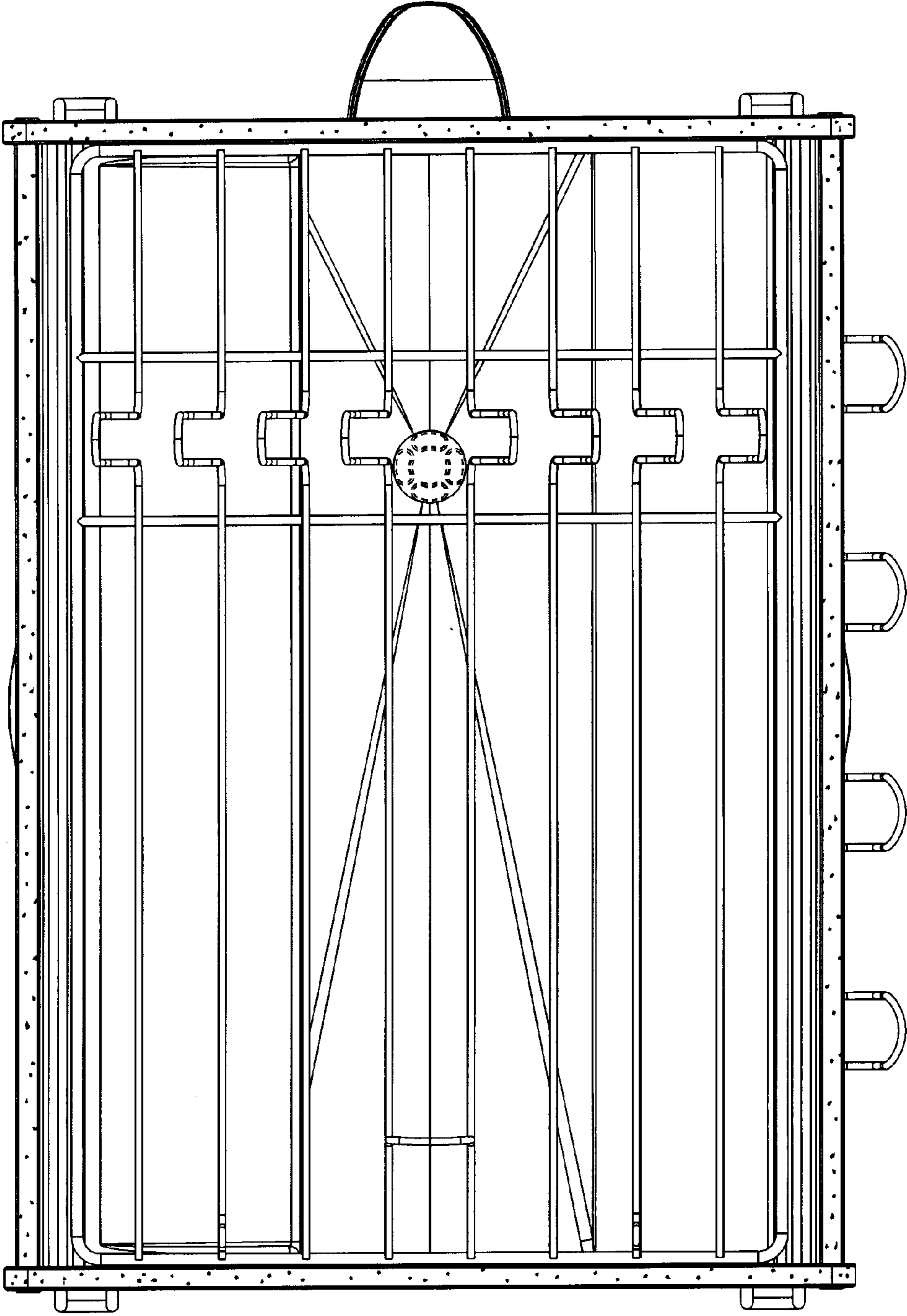


FIG. 13

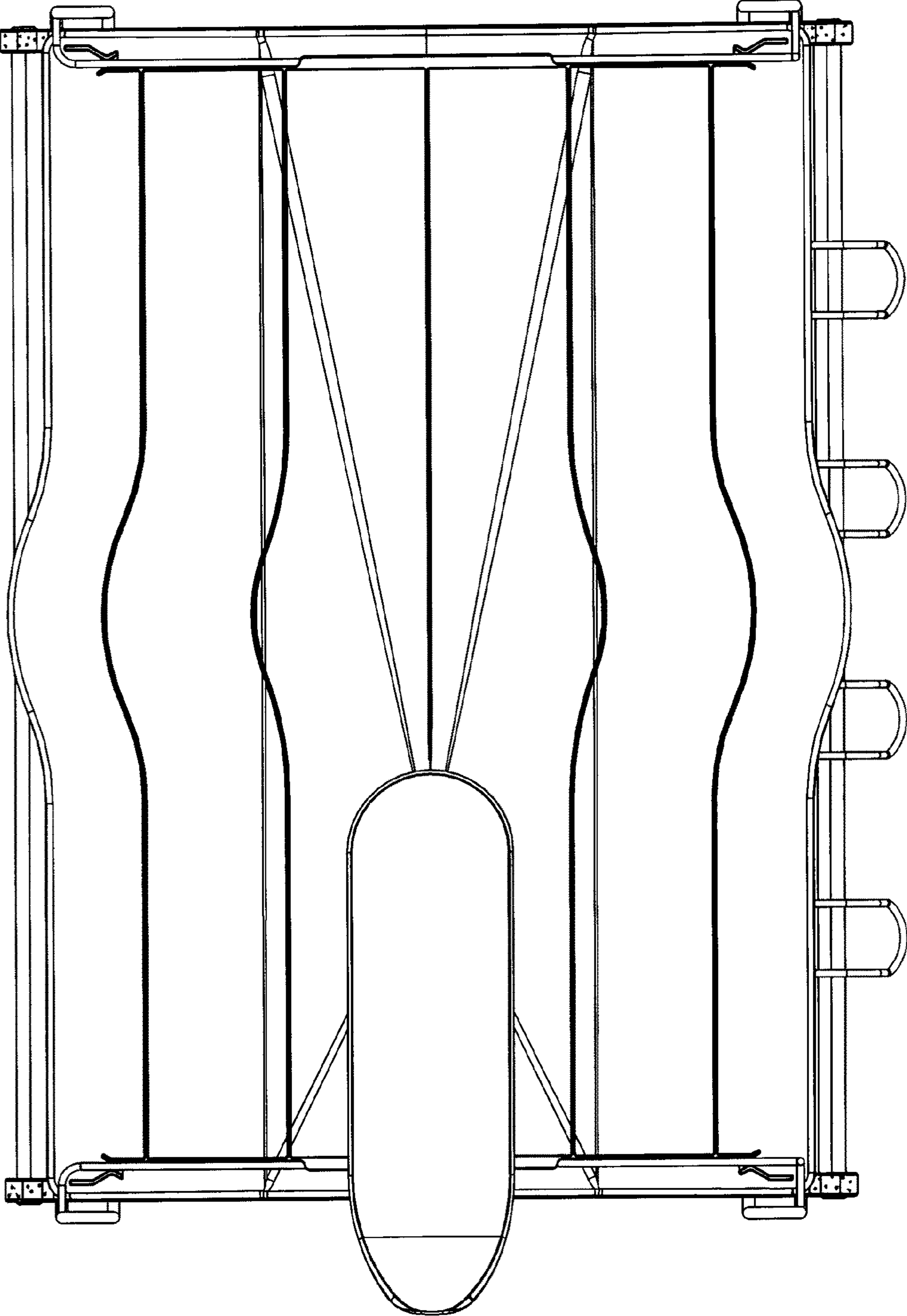


FIG. 14