



US00D646446S

(12) **United States Design Patent**
Raven

(10) **Patent No.:** **US D646,446 S**

(45) **Date of Patent:** **** Oct. 4, 2011**

(54) **HANDHELD SURFACE CLEANER**

(75) **Inventor:** **Meghan M. Raven**, Grand Rapids, MI (US)

(73) **Assignee:** **BISSELL Homecare, Inc.**, Grand Rapids, MI (US)

(**) **Term:** **14 Years**

(21) **Appl. No.:** **29/386,743**

(22) **Filed:** **Mar. 4, 2011**

(51) **LOC (9) Cl.** **15-05**

(52) **U.S. Cl.** **D32/17; D32/70**

(58) **Field of Classification Search** D32/73, D32/72, 71, 70, 69, 68, 35, 17, 18, 38; 392/404; 38/97, 96, 93, 88, 77.9, 77.83, 77.82, 77.81, 38/77.8, 77.7, 77.6, 77.5, 77.3, 77.1; 219/251, 219/245

See application file for complete search history.

(56) **References Cited**

U.S. PATENT DOCUMENTS

D203,969 S *	3/1966	Callihan et al.	D32/38
D374,522 S *	10/1996	Fan et al.	D32/18
D427,403 S *	6/2000	Gudefin	D32/70
D443,960 S *	6/2001	Shimko et al.	D32/18
D468,496 S *	1/2003	Smith	D32/17

D475,164 S *	5/2003	Murray et al.	D32/17
D528,715 S *	9/2006	Carr	D32/18
D541,502 S *	4/2007	Powell	D32/70
D582,620 S *	12/2008	Brown	D32/70
D629,989 S *	12/2010	Hollerich et al.	D32/70
D634,090 S *	3/2011	Massip et al.	D32/70
D635,316 S *	3/2011	Massip et al.	D32/70
D635,730 S *	4/2011	Choi et al.	D32/70

* cited by examiner

Primary Examiner — Austin Murphy

(74) *Attorney, Agent, or Firm* — McGarry Bair PC

(57) **CLAIM**

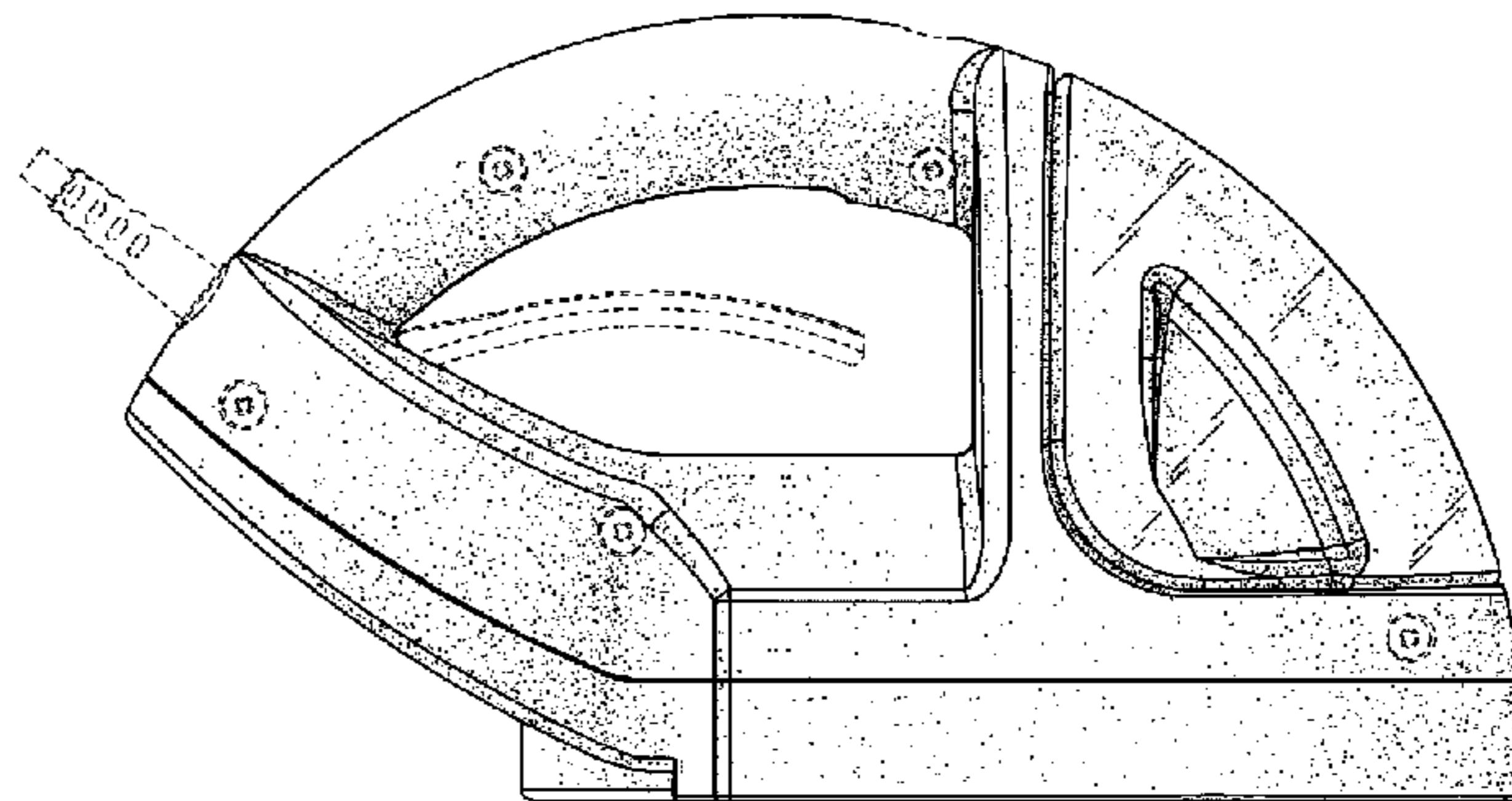
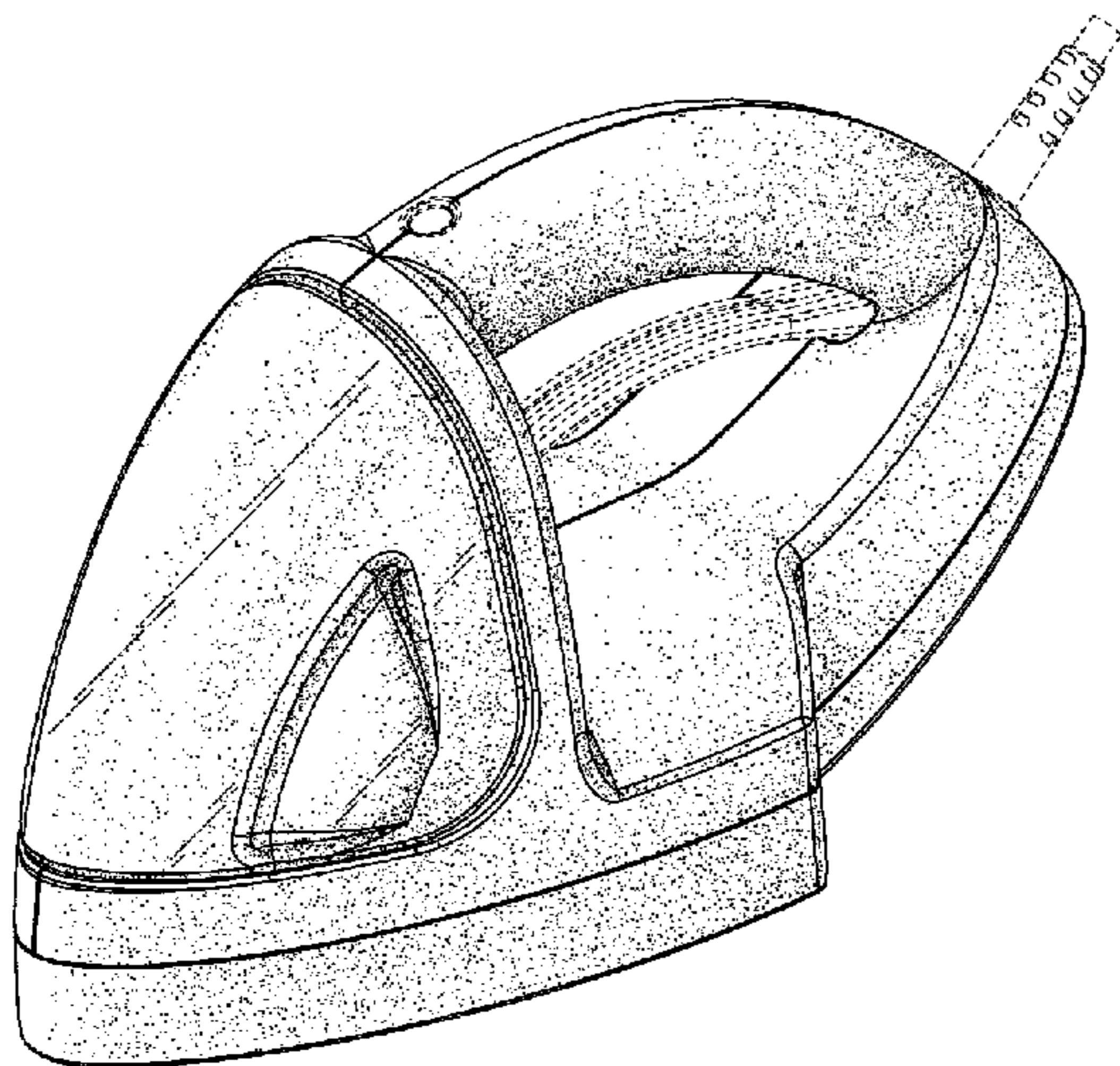
The ornamental design for a handheld surface cleaner, as shown and described.

DESCRIPTION

FIG. 1 is a perspective view of a handheld surface cleaner which embodies our design; FIG. 2 is a front view thereof; FIG. 3 is a rear view thereof; FIG. 4 is a left side view thereof; FIG. 5 is a right side view thereof; FIG. 6 is a top view thereof; and, FIG. 7 is a bottom view.

Portions of the handheld surface cleaner shown in broken lines form no part of the claimed design.

1 Claim, 4 Drawing Sheets



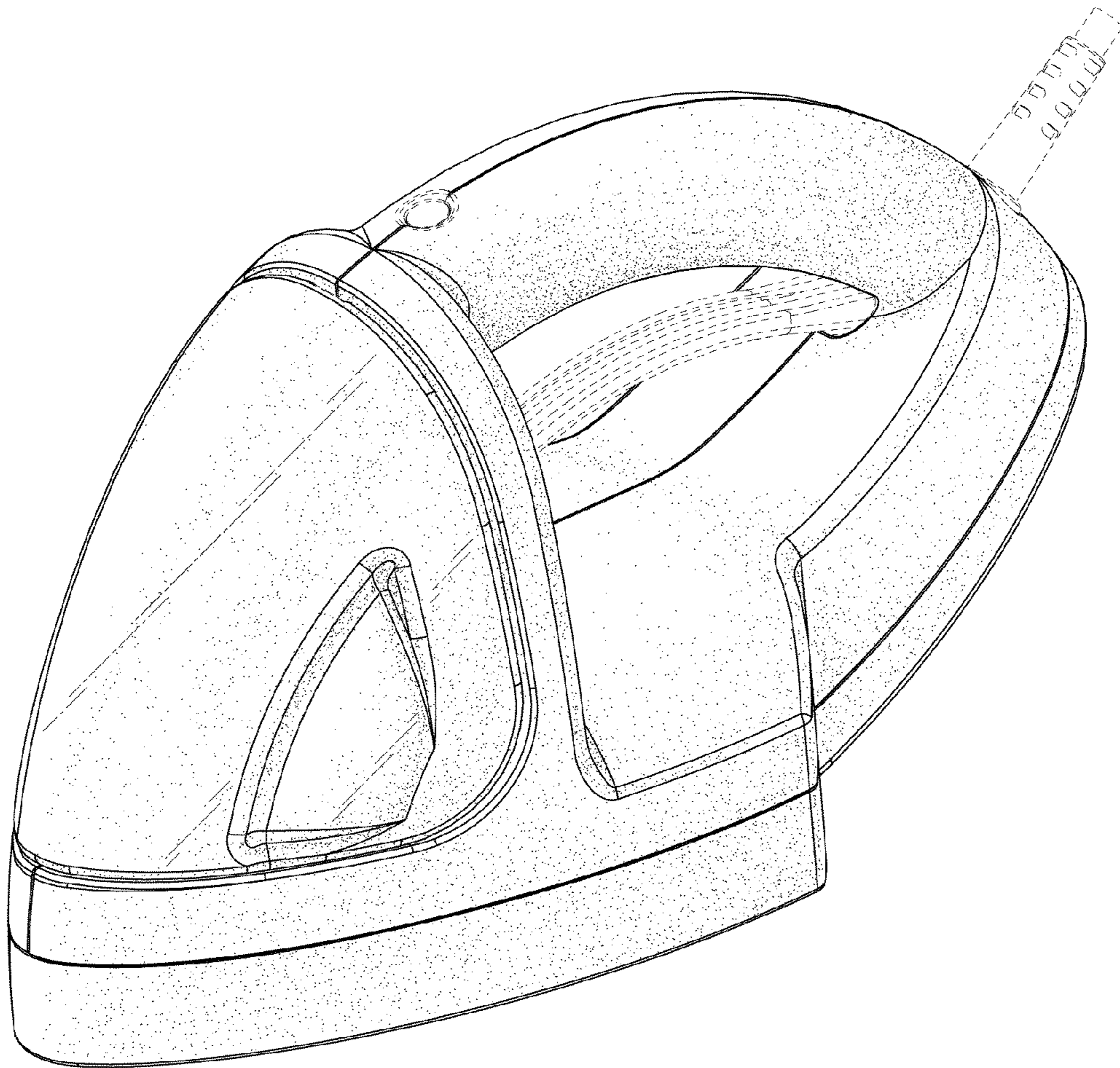


Fig. 1

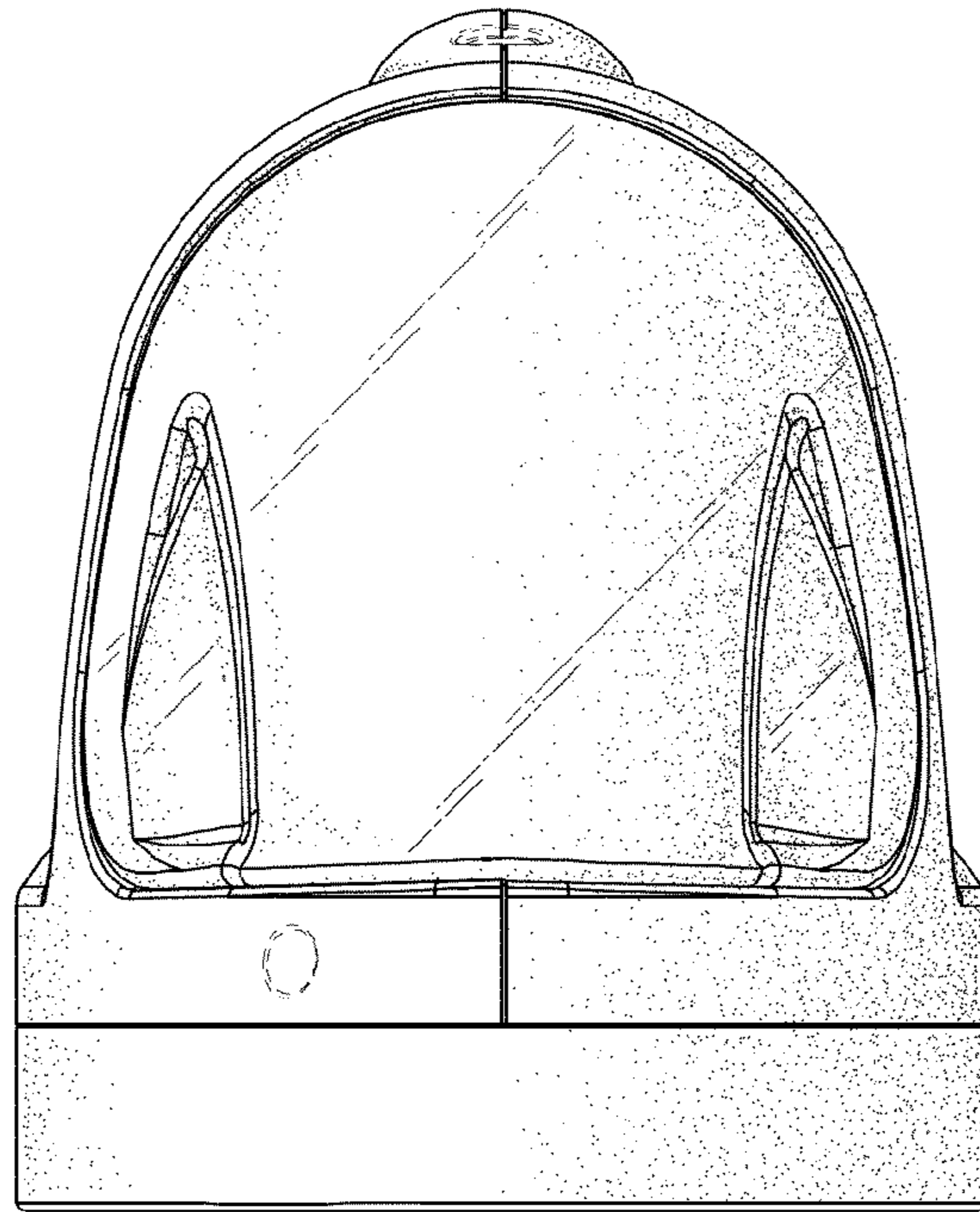


Fig. 2

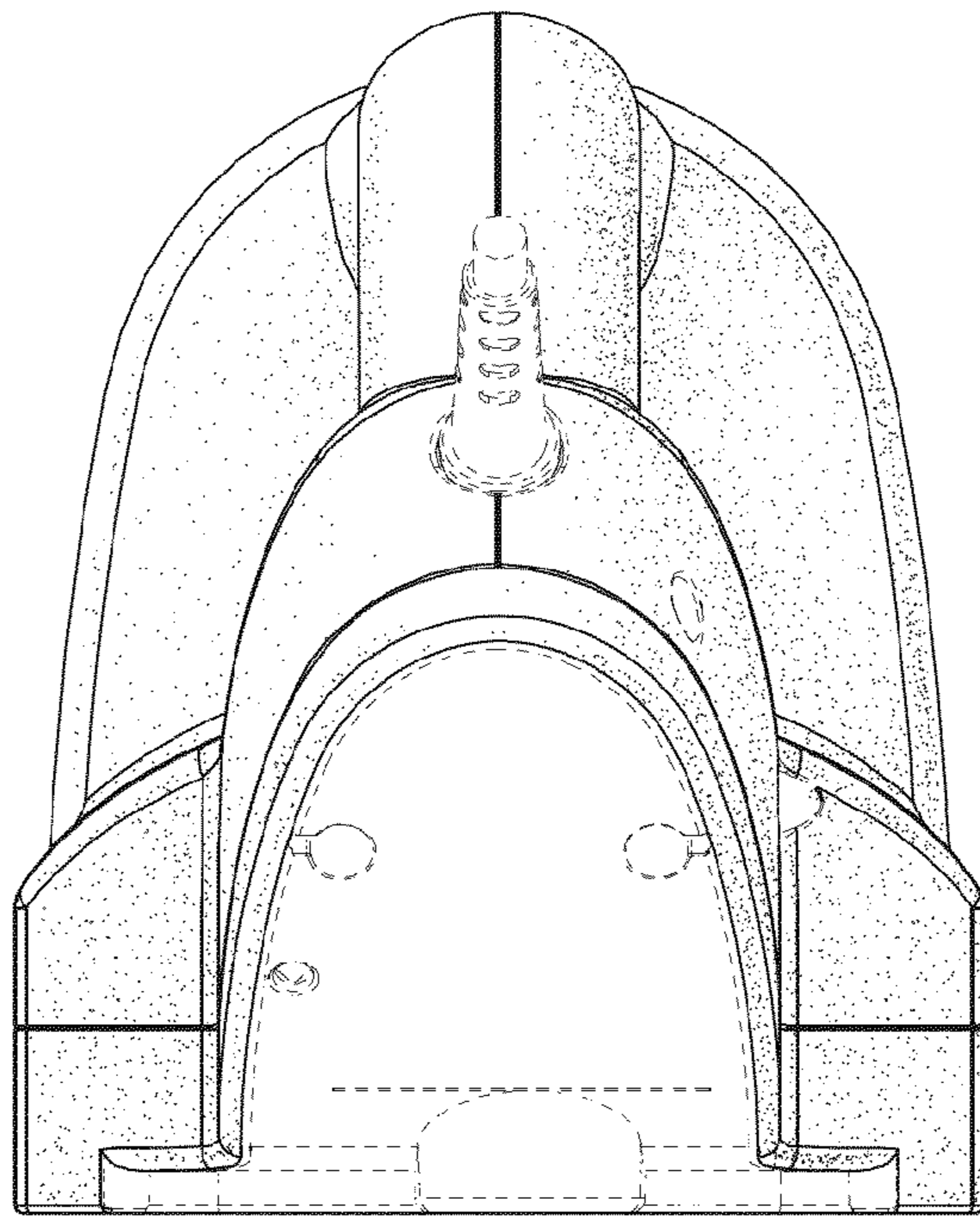


Fig. 3

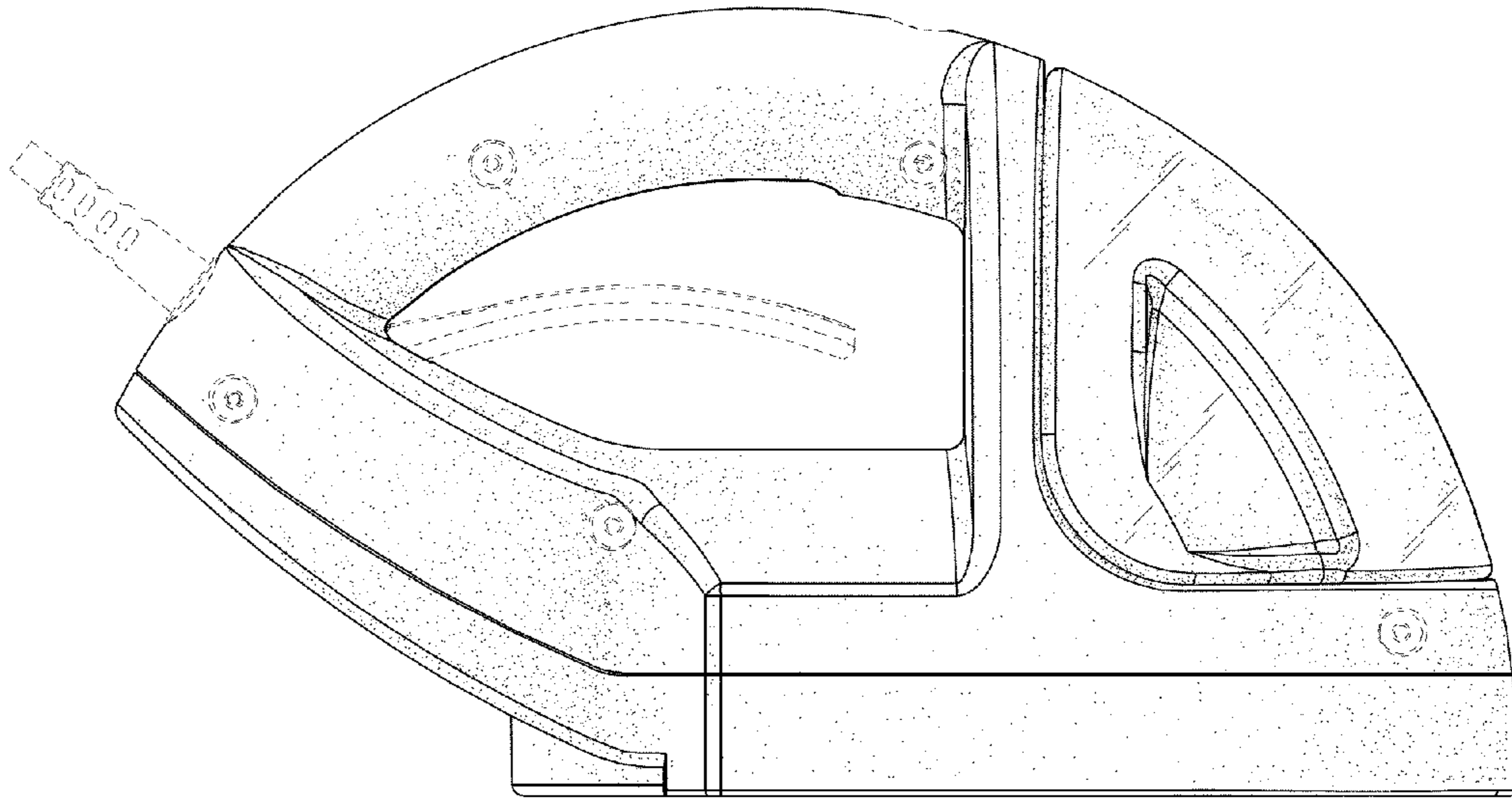


Fig. 4

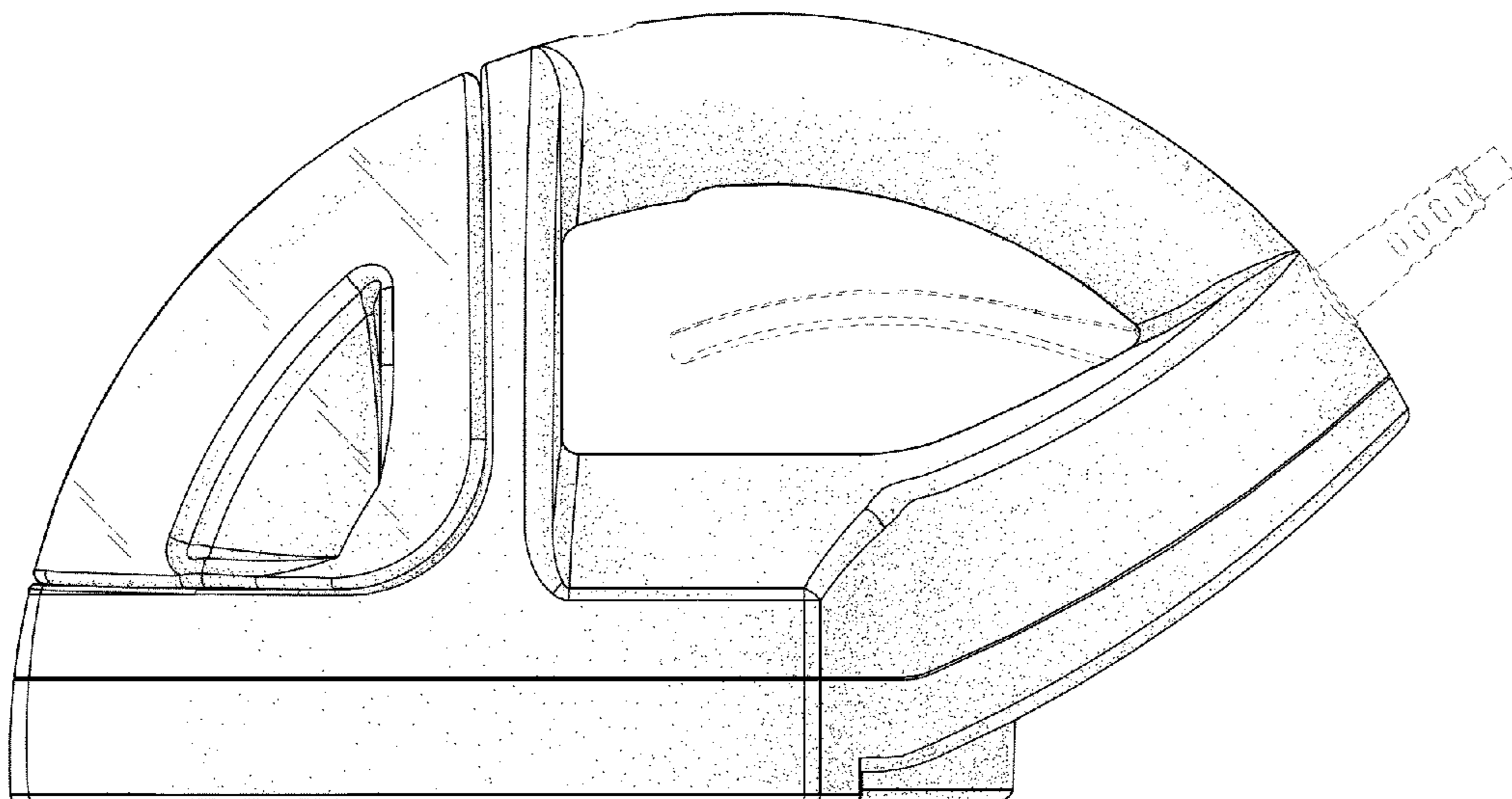


Fig. 5

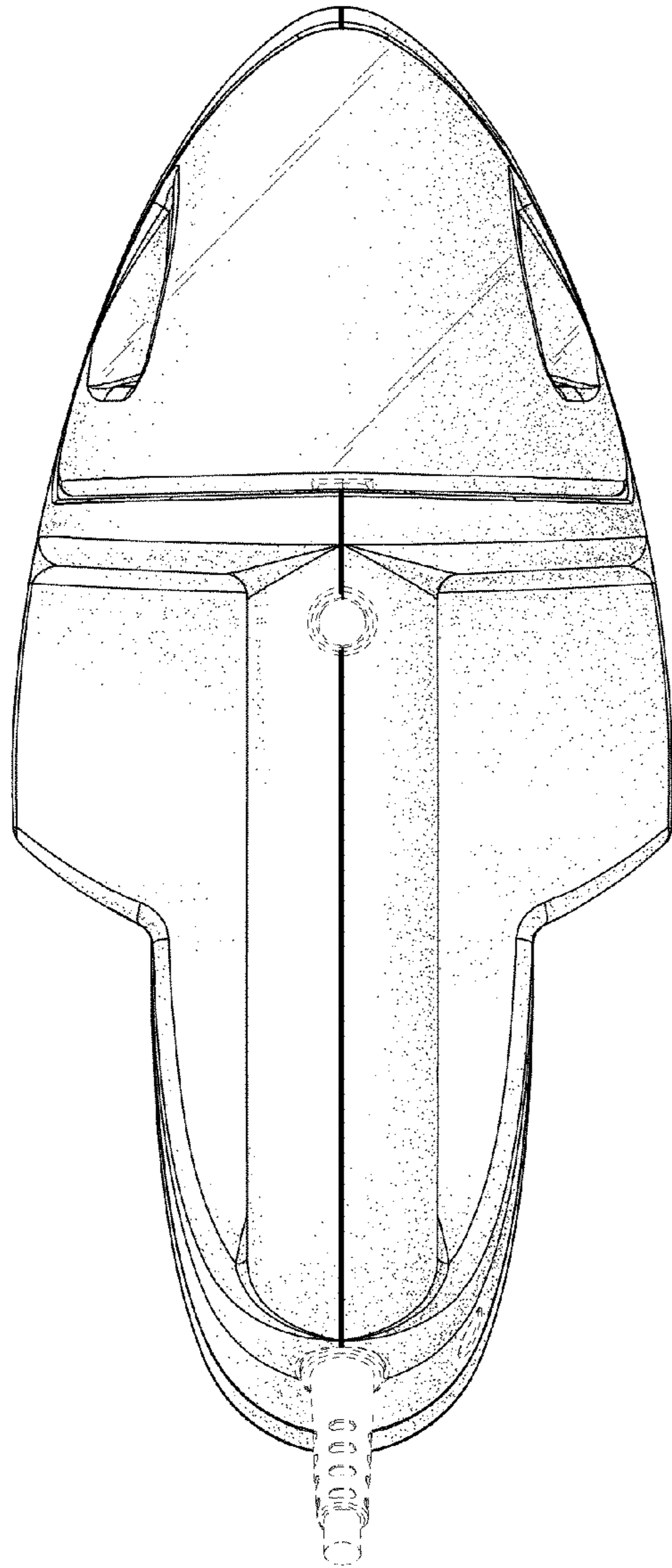


Fig. 6

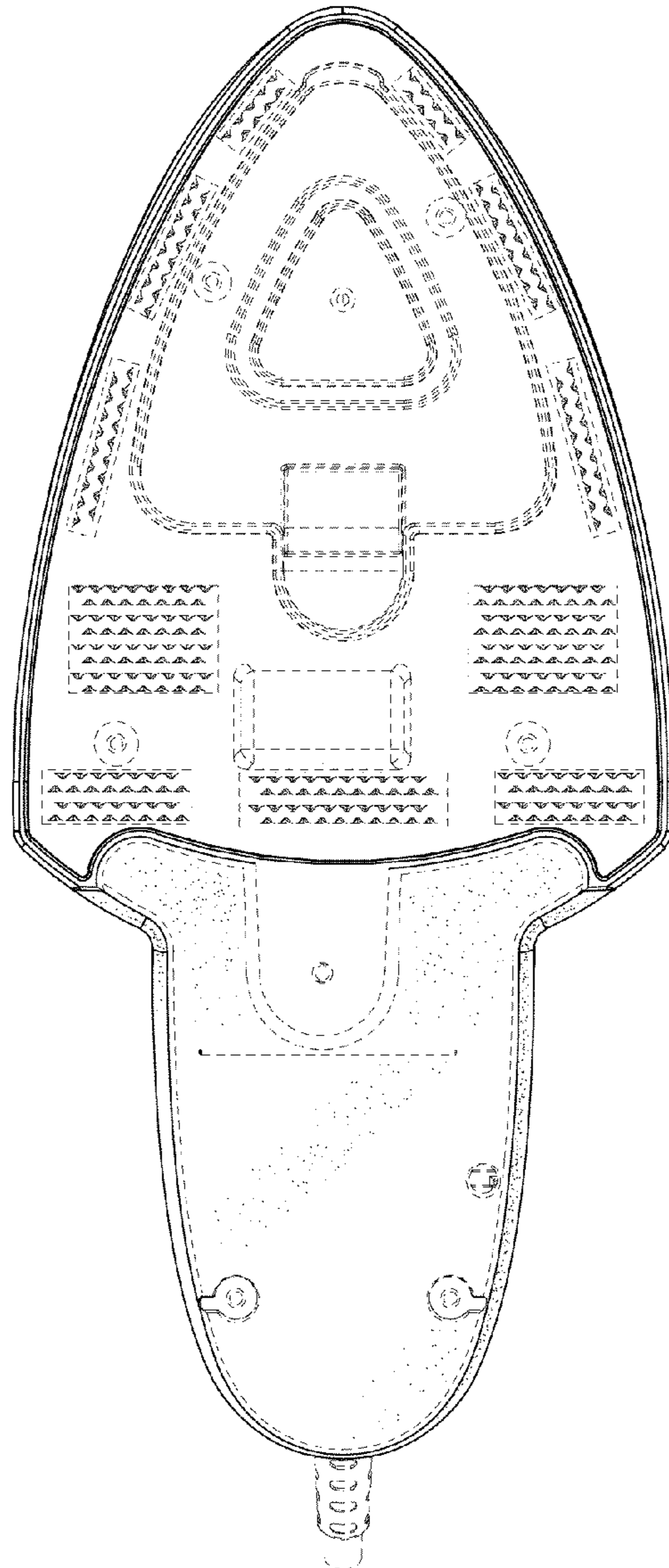


Fig. 7