



US00D646442S

(12) **United States Design Patent**  
**Chance et al.**

(10) **Patent No.:** **US D646,442 S**

(45) **Date of Patent:** **\*\* Oct. 4, 2011**

(54) **PET FEEDER**

(75) Inventors: **Christopher E. Chance**, Bella Vista, AR (US); **Andrew Bojie**, Centerton, AR (US)

(73) Assignee: **Stout Stuff, LLC**, Bentonville, AR (US)

(\*\*) Term: **14 Years**

(21) Appl. No.: **29/385,845**

(22) Filed: **Feb. 21, 2011**

(51) **LOC (9) Cl.** ..... **30-03**

(52) **U.S. Cl.** ..... **D30/133; D30/130; D30/131**

(58) **Field of Classification Search** ..... **D30/133, D30/121, 128, 130, 132; 119/52.1, 55, 61.5-61.56; D6/480-485; 248/188; 312/204; 108/153.1-157**  
See application file for complete search history.

(56) **References Cited**

**U.S. PATENT DOCUMENTS**

2,584,301	A	2/1952	Sinclair	
3,180,316	A *	4/1965	Chatfield et al.	119/51.12
D207,198	S *	3/1967	Robert	D30/133
D209,677	S *	12/1967	Robert	D30/133
D209,678	S *	12/1967	Robert	D30/133
D209,679	S *	12/1967	Robert	D30/133
3,785,348	A *	1/1974	Polidori et al.	119/62
D260,043	S	7/1981	Robinson	
4,357,905	A	11/1982	Carpenter	
D280,773	S *	9/1985	Addy et al.	D3/309
4,613,048	A *	9/1986	McGill	224/400
4,922,858	A *	5/1990	Ahrens	119/73
5,174,534	A *	12/1992	Mitchell	248/311.2
D353,232	S *	12/1994	Chrisco	D30/130
D373,449	S *	9/1996	Chen	D30/130
D373,858	S	9/1996	Chen	
D374,516	S *	10/1996	Lillelund et al.	D30/132
D374,517	S	10/1996	Morrill	
D375,819	S	11/1996	Benson	

D377,244	S	1/1997	Steininger	
5,718,405	A *	2/1998	Adachi	248/311.2
D397,278	S *	8/1998	Wang	D7/701
D412,377	S	7/1999	Sharon	
D414,303	S	9/1999	Sharon	
6,145,474	A *	11/2000	Lemkin	119/61.5
6,209,487	B1	4/2001	Quinlan et al.	
D442,443	S *	5/2001	Perndocaj et al.	D7/701
D444,683	S *	7/2001	Corrion	D7/701
D467,045	S *	12/2002	Tsengas	D30/130
D478,193	S	8/2003	Routh	
D485,529	S *	1/2004	Schoenberger	D12/419
D486,273	S *	2/2004	Tsengas	D30/130
D486,274	S *	2/2004	Tsengas	D30/130
6,705,249	B2	3/2004	Quinlan et al.	
D488,036	S *	4/2004	Dimeo	D7/708
D491,697	S	6/2004	Tsengas	
6,786,177	B1	9/2004	Lemkin	
D505,523	S	5/2005	Rahman	
D551,400	S	9/2007	Tsengas	

(Continued)

*Primary Examiner* — Susan Moon Lee

(74) *Attorney, Agent, or Firm* — Larkin Hoffman Daly & Lindgren Ltd.

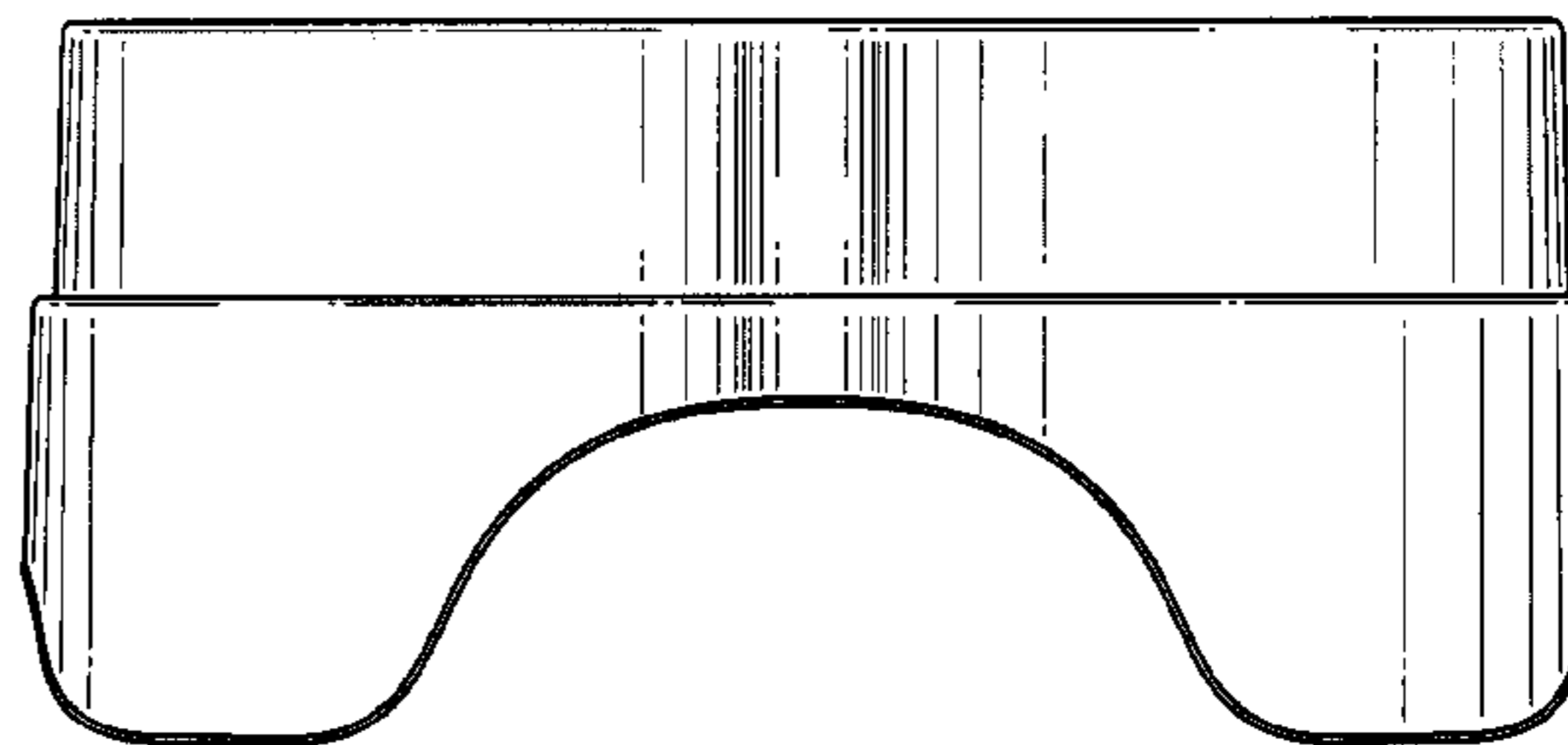
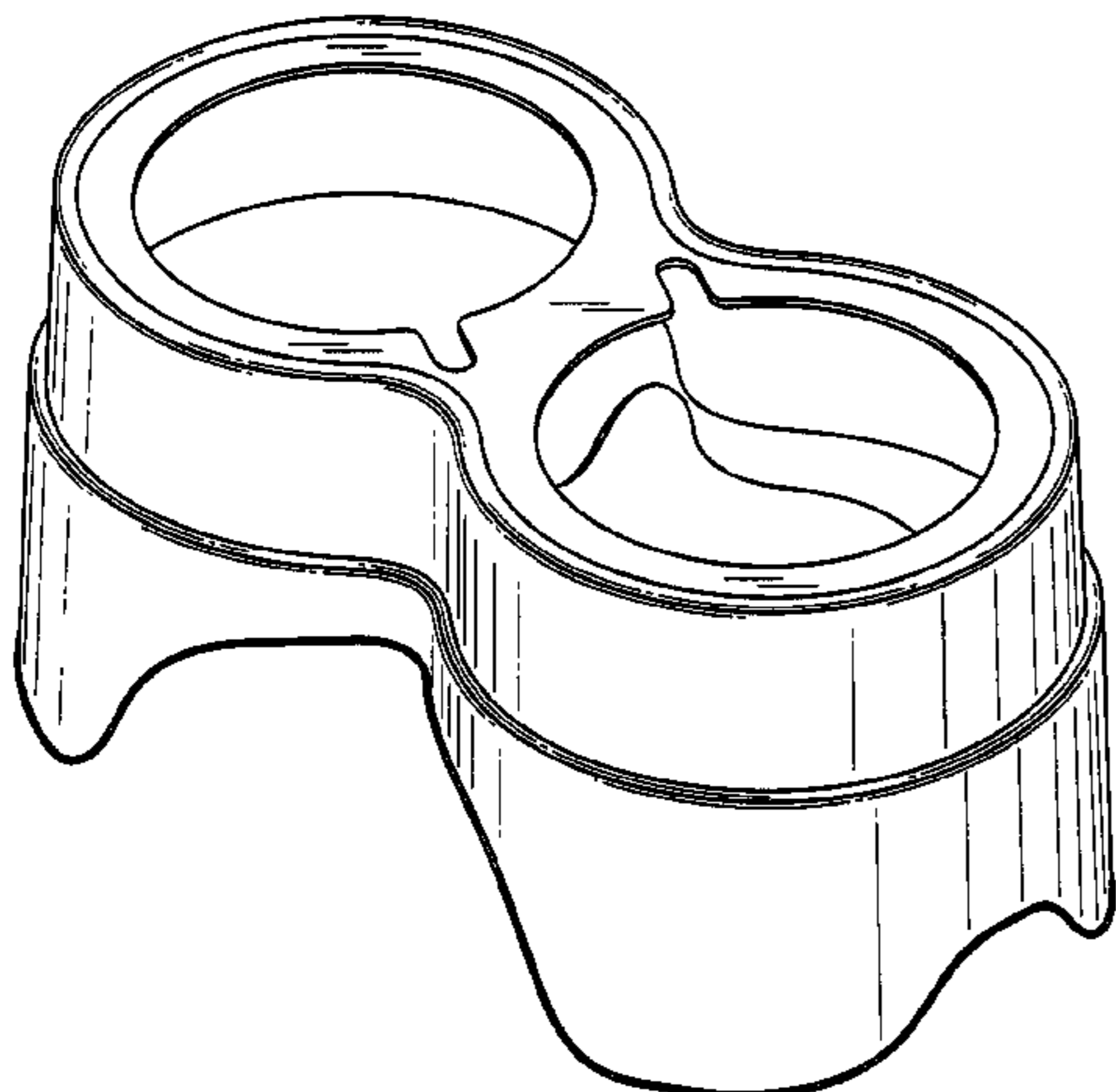
(57) **CLAIM**

The ornamental design for a pet feeder, as shown and described.

**DESCRIPTION**

FIG. 1 is a perspective view of the pet feeder of the present design.  
FIG. 2 is a front elevation view of the pet feeder of FIG. 1.  
FIG. 3 is a rear elevation view of the pet feeder of FIG. 1.  
FIG. 4 is a top plan view of the pet feeder of FIG. 1.  
FIG. 5 is a bottom plan view of the pet feeder of FIG. 1.  
FIG. 6 is a right side elevation view of the pet feeder of FIG. 1; and,  
FIG. 7 is a left side elevation view of the pet feeder of FIG. 1.

**1 Claim, 6 Drawing Sheets**



# US D646,442 S

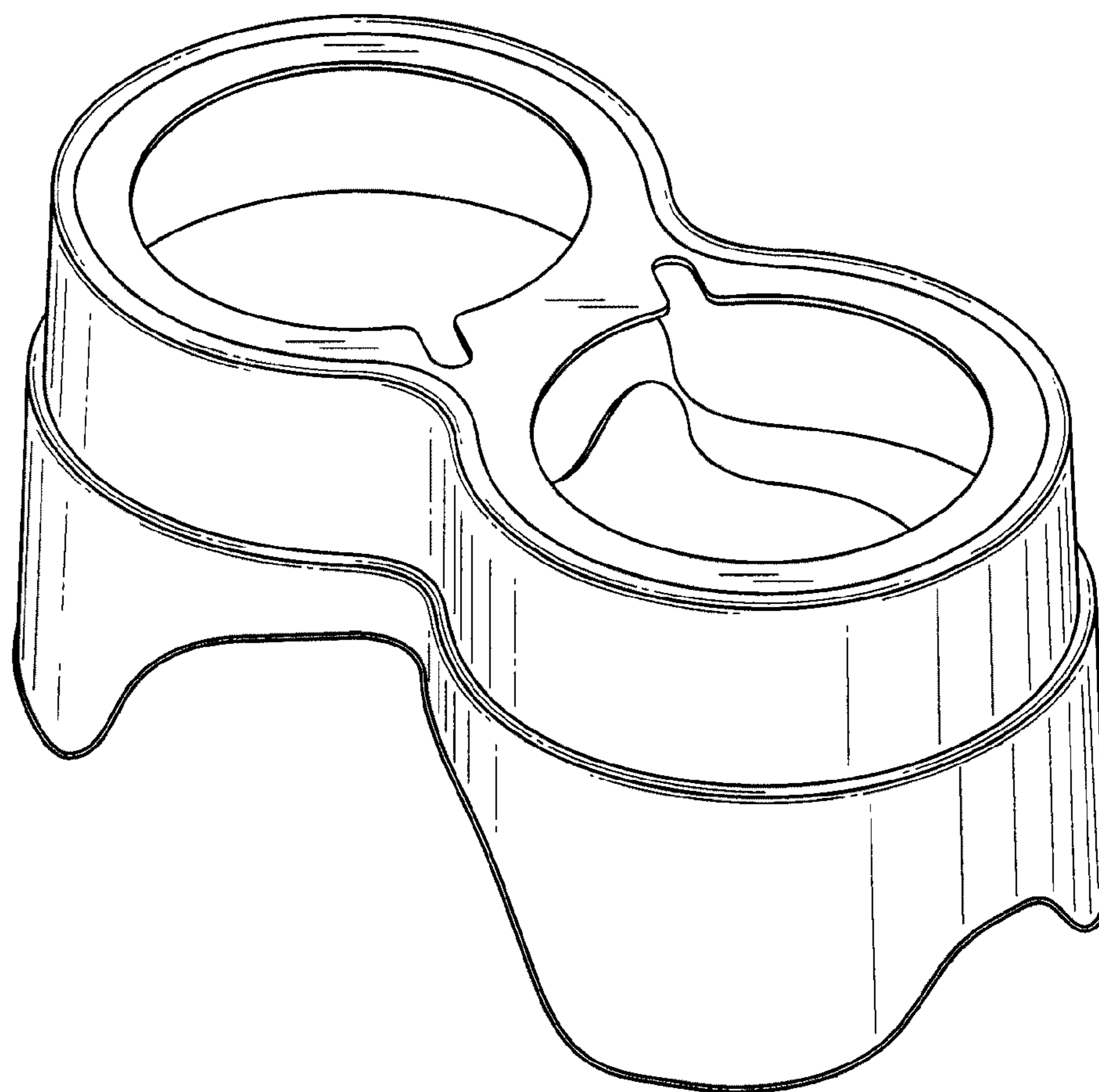
Page 2

---

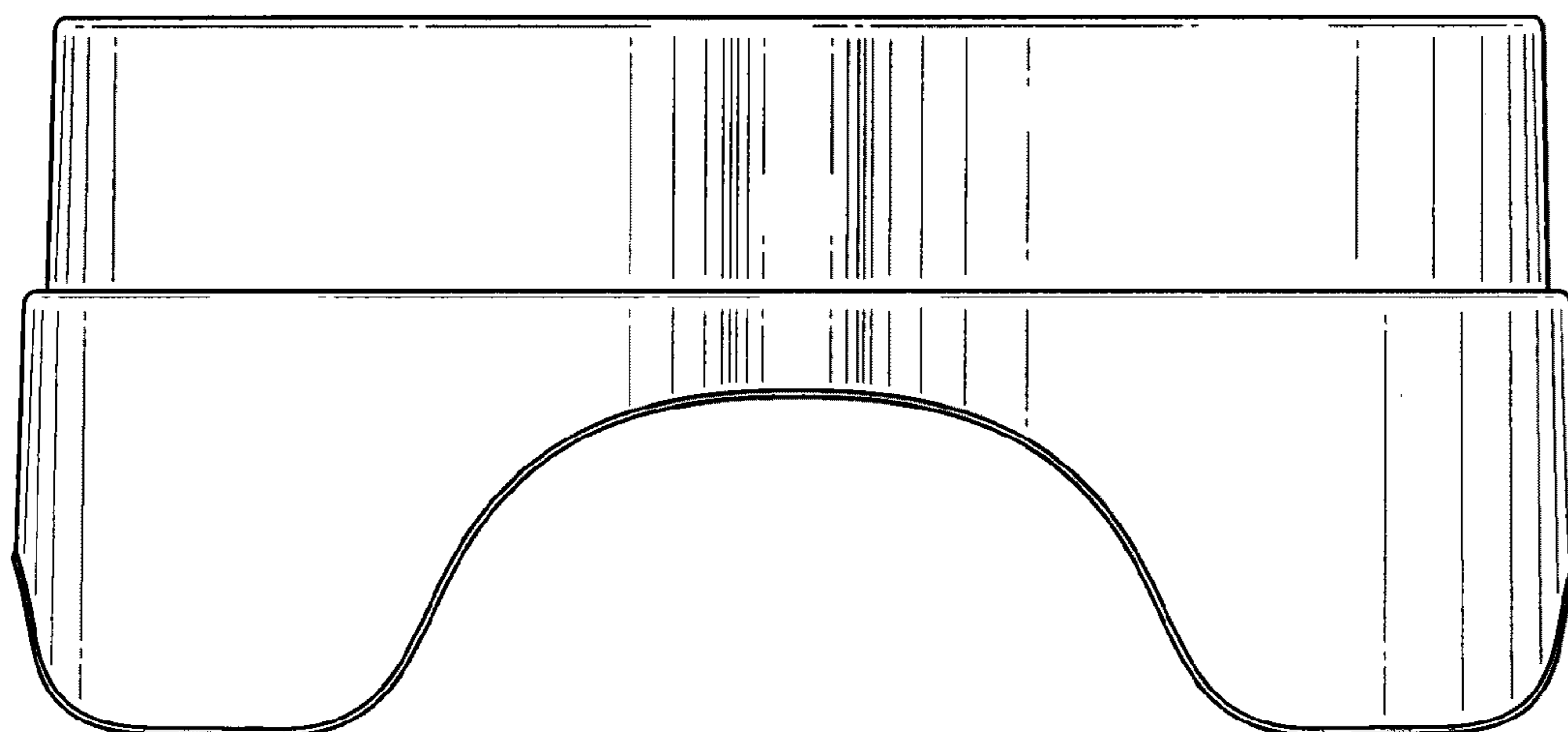
## U.S. PATENT DOCUMENTS

D565,805 S	4/2008	Modi et al.	D618,862 S	6/2010	Shamoon et al.
D577,466 S	9/2008	Shamoon	D621,559 S *	8/2010	Clark, Jr. .... D30/133
D580,109 S	11/2008	Rutherford et al.	2003/0037732 A1 *	2/2003	Quinlan et al. .... 119/51.01
D592,814 S	5/2009	Uffner et al.	2008/0011235 A1 *	1/2008	Bahnean et al. .... 119/61.5
D592,911 S *	5/2009	Buchanan ..... D7/605	2008/0196668 A1	8/2008	Clark
D618,861 S	6/2010	Bahnean et al.	2011/0114025 A1 *	5/2011	McMurphy ..... 119/51.5

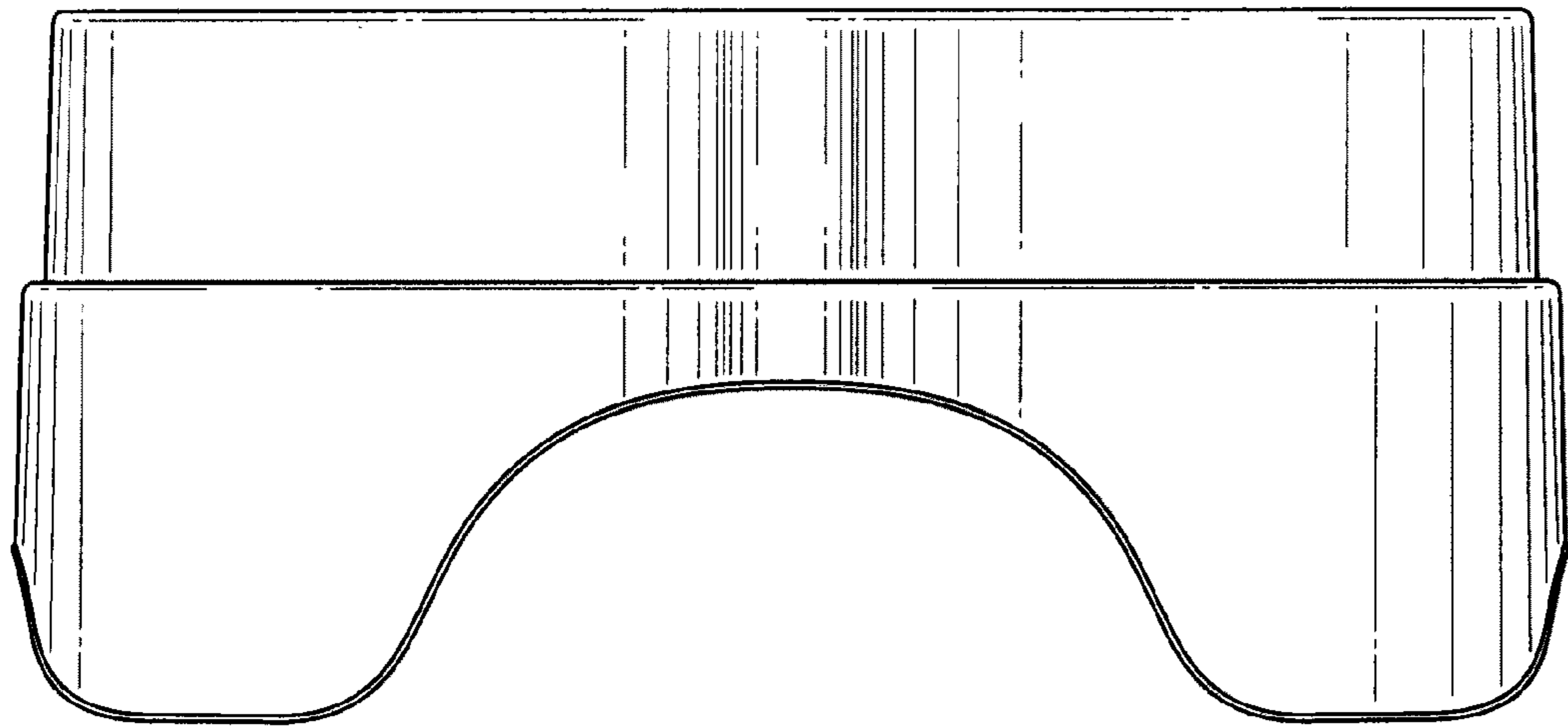
\* cited by examiner



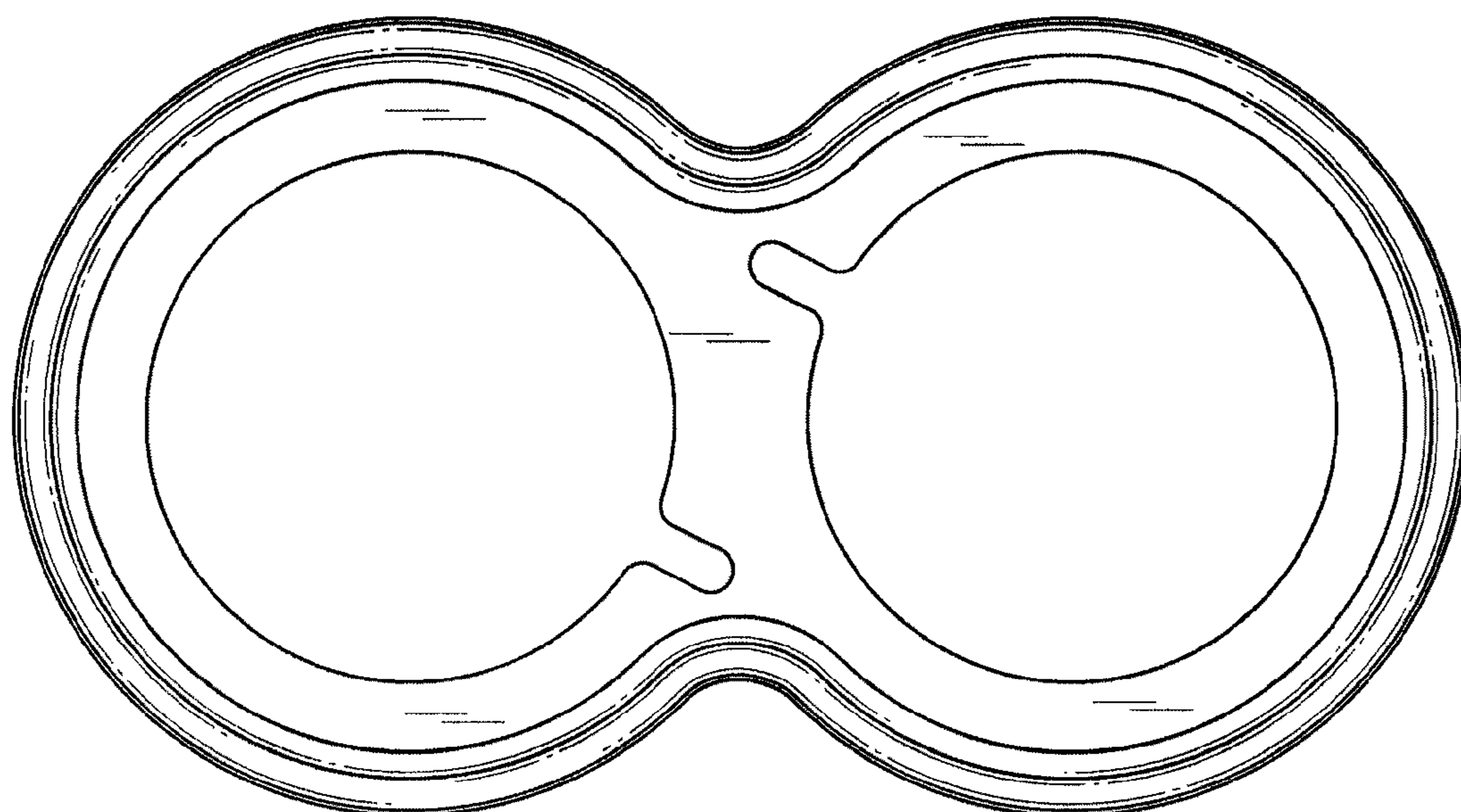
**Fig. 1**



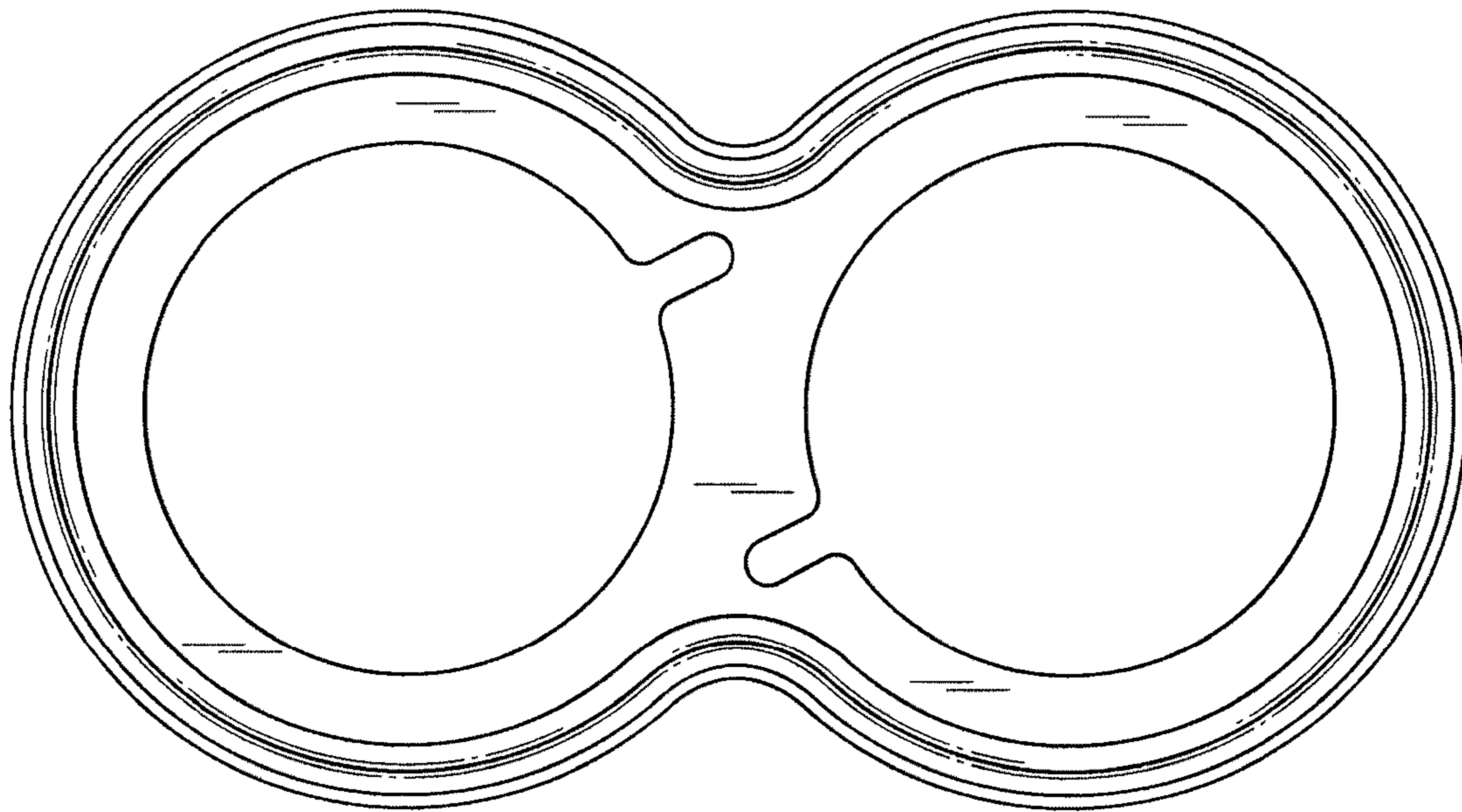
**Fig. 2**



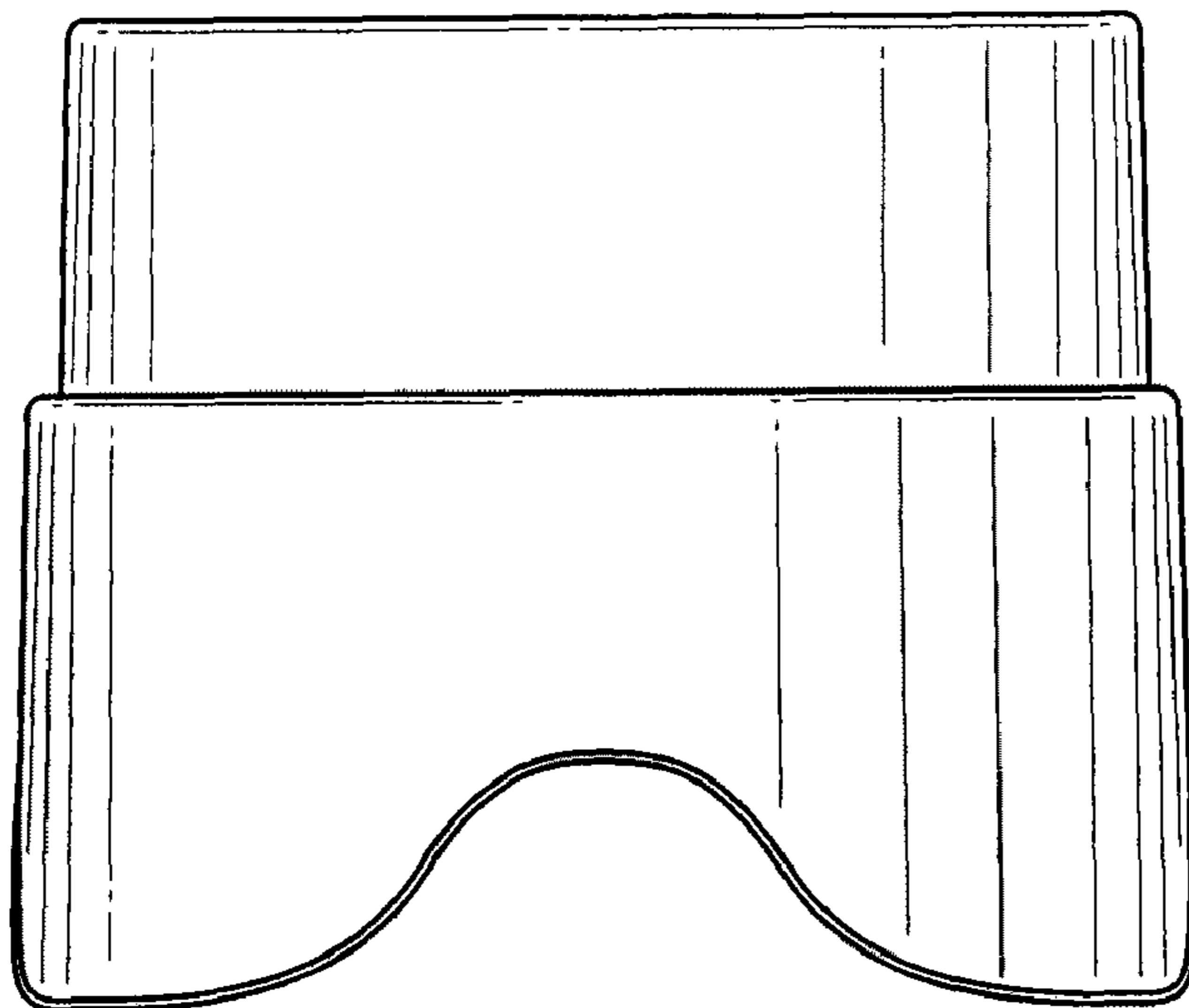
**Fig. 3**



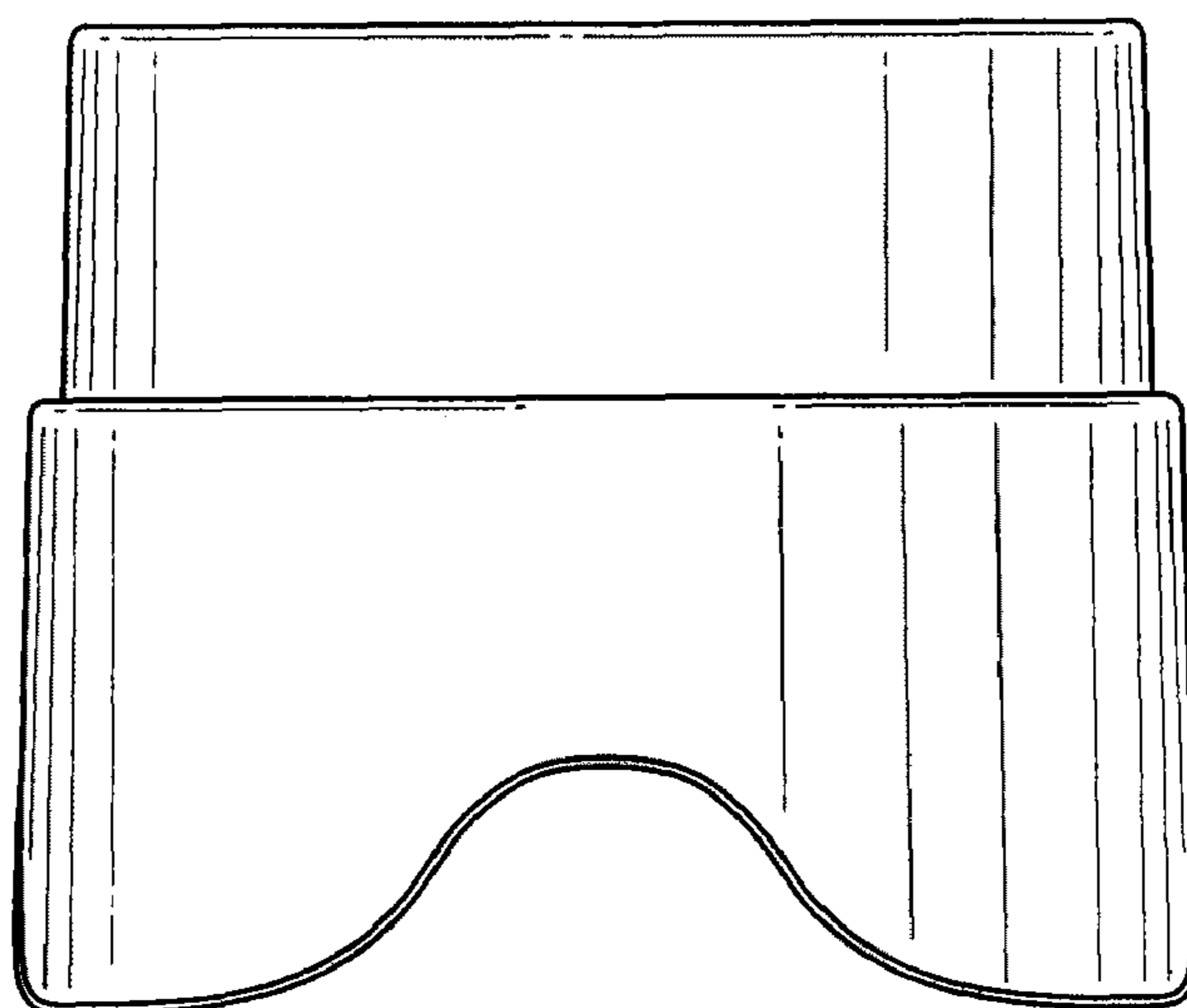
**Fig. 4**



**Fig. 5**



**Fig. 6**



**Fig. 7**