

US00D646441S

(12) **United States Design Patent**
Chance et al.

(10) **Patent No.:** **US D646,441 S**

(45) **Date of Patent:** **** Oct. 4, 2011**

(54) **PET FEEDER**

(75) Inventors: **Christopher E. Chance**, Bella Vista, AR (US); **Andrew Bojie**, Centerton, AR (US)

(73) Assignee: **Stout Stuff, LLC**, Bentonville, AR (US)

(**) Term: **14 Years**

(21) Appl. No.: **29/385,844**

(22) Filed: **Feb. 21, 2011**

(51) **LOC (9) Cl.** **30-03**

(52) **U.S. Cl.** **D30/133; D30/130; D30/131**

(58) **Field of Classification Search** **D30/133, D30/121, 128, 130, 132; 119/52.1, 55, 61.5-61.56; D6/480-485; 248/188; 312/204; 108/153.1-157**
See application file for complete search history.

(56) **References Cited**

U.S. PATENT DOCUMENTS

2,584,301	A	2/1952	Sinclair	
D186,124	S *	9/1959	Myers	D7/708
D188,415	S *	7/1960	Scheuer	D12/419
D207,198	S	3/1967	Robert	
D221,217	S *	7/1971	Beychok	D12/419
3,690,724	A *	9/1972	Douglas et al.	297/188.18
3,874,085	A *	4/1975	Atkins	33/524
D252,310	S *	7/1979	Shannon	D7/619.1
D260,043	S	7/1981	Robinson	
4,357,905	A	11/1982	Carpenter	
D280,773	S *	9/1985	Addy et al.	D3/309
4,613,048	A *	9/1986	McGill	224/400
D287,789	S *	1/1987	Johnson	D7/620
D314,314	S *	2/1991	Shipman	D7/708
D322,512	S *	12/1991	Andrykovitz	D12/420
5,174,534	A *	12/1992	Mitchell	248/311.2
5,259,580	A *	11/1993	Anderson et al.	248/311.2
D352,213	S *	11/1994	Keven	D7/701
D353,082	S *	12/1994	Keven	D7/701

D359,425	S *	6/1995	Meeker et al.	D7/708
D373,858	S	9/1996	Chen	
D374,517	S	10/1996	Morrill	
D375,819	S	11/1996	Benson	
D377,244	S	1/1997	Steininger	
D397,278	S *	8/1998	Wang	D7/701
D412,377	S	7/1999	Sharon	
D413,563	S *	9/1999	Gravenstreter	D12/419
D414,303	S	9/1999	Sharon	
D425,262	S *	5/2000	Scott et al.	D30/130
D437,159	S *	2/2001	Fiegl et al.	D6/535
6,209,487	B1	4/2001	Quinlan et al.	
D444,683	S *	7/2001	Corrion	D7/701
D458,092	S *	6/2002	Rumpf	D7/707
D478,193	S	8/2003	Routh	
D485,529	S *	1/2004	Schoenberger	D12/419
6,705,249	B2	3/2004	Quinlan et al.	
D491,697	S	6/2004	Tsengas	
6,786,177	B1	9/2004	Lemkin	

(Continued)

Primary Examiner — Susan Moon Lee

(74) *Attorney, Agent, or Firm* — Larkin Hoffman Daly & Lindgren Ltd.; Thomas J. Oppold

(57) **CLAIM**

The ornamental design for a pet feeder, as shown and described.

DESCRIPTION

FIG. 1 is a perspective view of the pet feeder of the present design.

FIG. 2 is a front elevation view of the pet feeder of FIG. 1.

FIG. 3 is a rear elevation view of the pet feeder of FIG. 1.

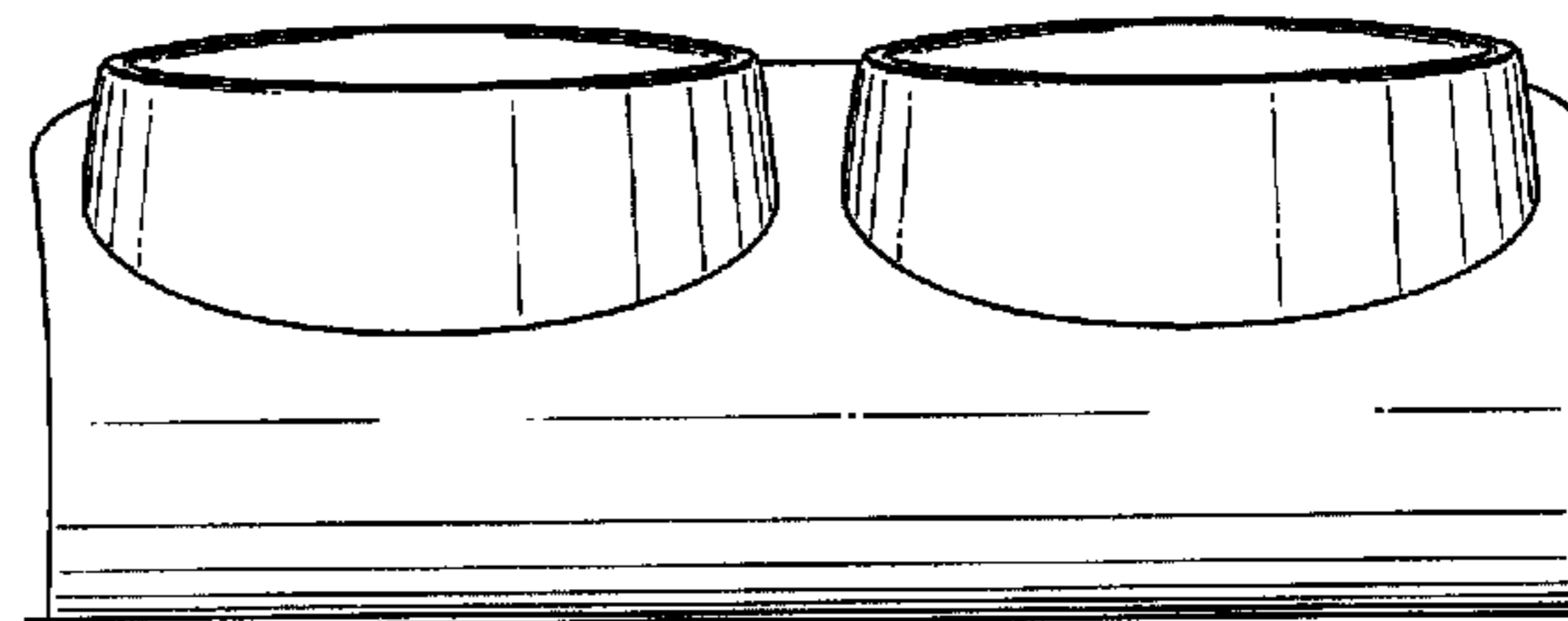
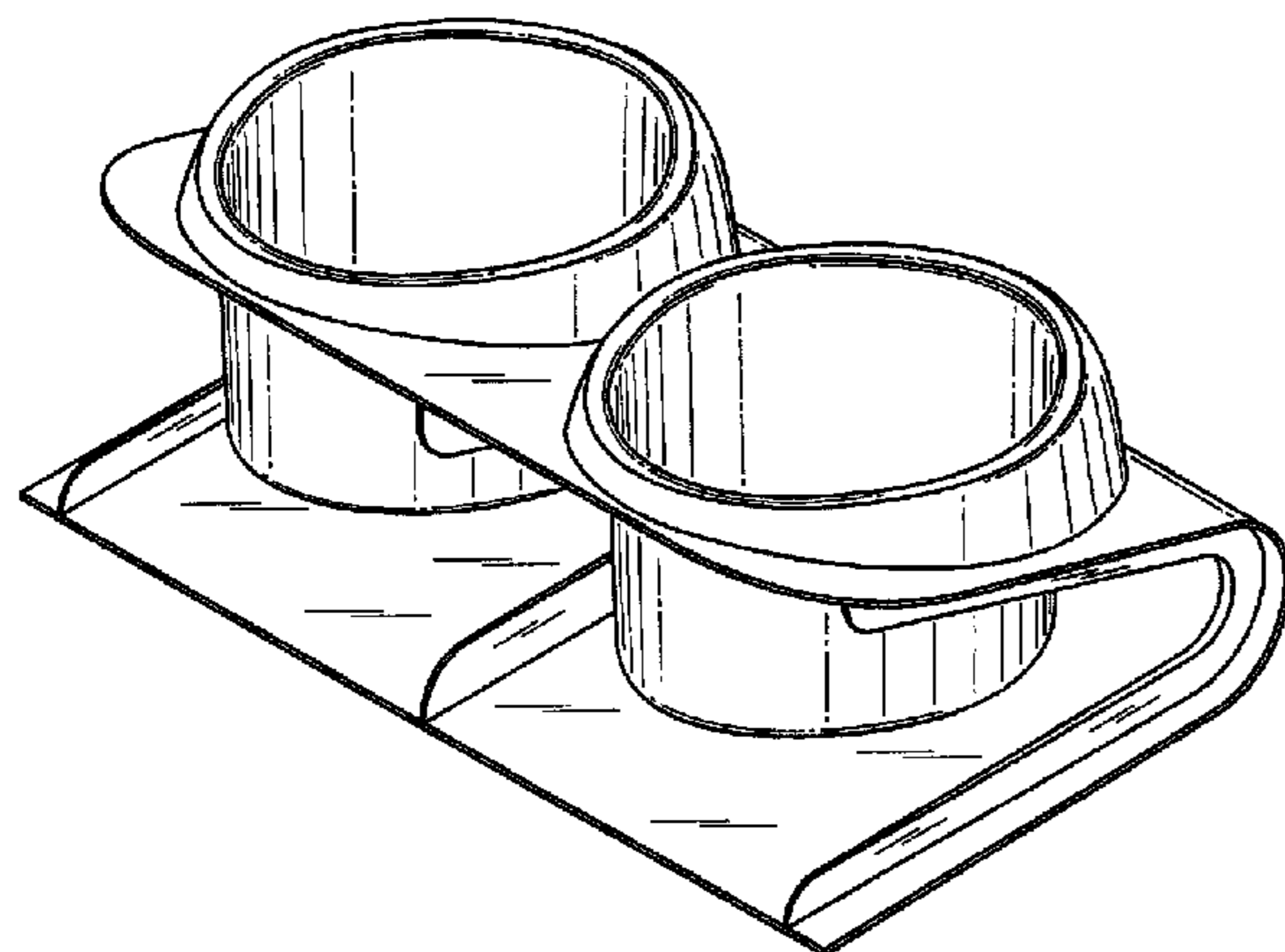
FIG. 4 is a top plan view of the pet feeder of FIG. 1.

FIG. 5 is a bottom plan view of the pet feeder of FIG. 1.

FIG. 6 is a right side elevation view of the pet feeder of FIG. 1; and,

FIG. 7 is a left side elevation view of the pet feeder of FIG. 1.

1 Claim, 7 Drawing Sheets



US D646,441 S

Page 2

U.S. PATENT DOCUMENTS

D505,523 S	5/2005	Rahman		D604,564 S *	11/2009	Walter	D7/620
D551,400 S	9/2007	Tsengas		D612,691 S *	3/2010	Barnes, Jr.	D7/620
7,344,056 B2 *	3/2008	Shelmon et al. 224/549	D618,861 S	6/2010	Bahnean et al.		
D565,805 S	4/2008	Modi et al.		D618,862 S	6/2010	Shamoon et al.		
D577,466 S	9/2008	Shamoon		D635,832 S *	4/2011	Bergin	D7/701
D579,661 S *	11/2008	Sawdey D3/311	2003/0106498 A1 *	6/2003	Mersits et al.	119/61
D580,109 S	11/2008	Rutherford et al.		2008/0196668 A1	8/2008	Clark		
D592,814 S	5/2009	Uffner et al.						

* cited by examiner

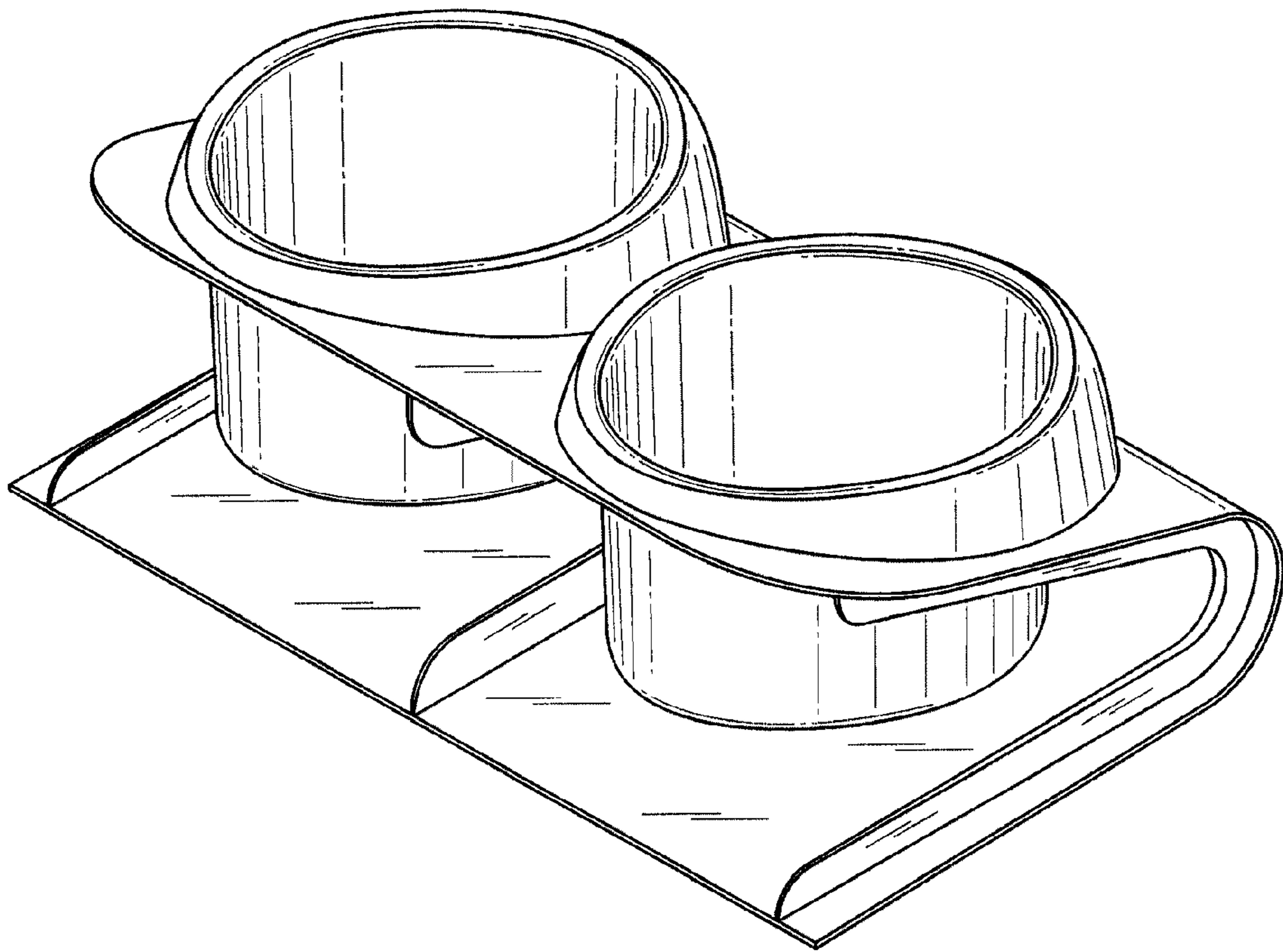


Fig. 1

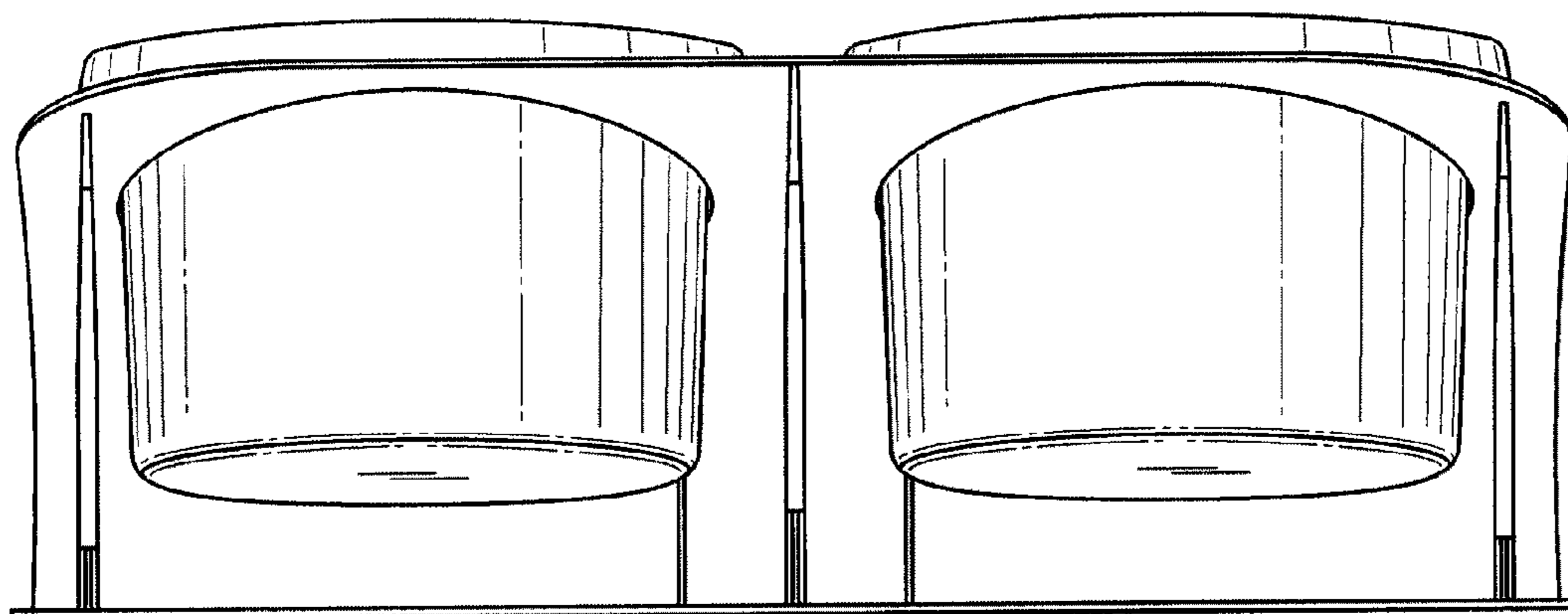


Fig. 2

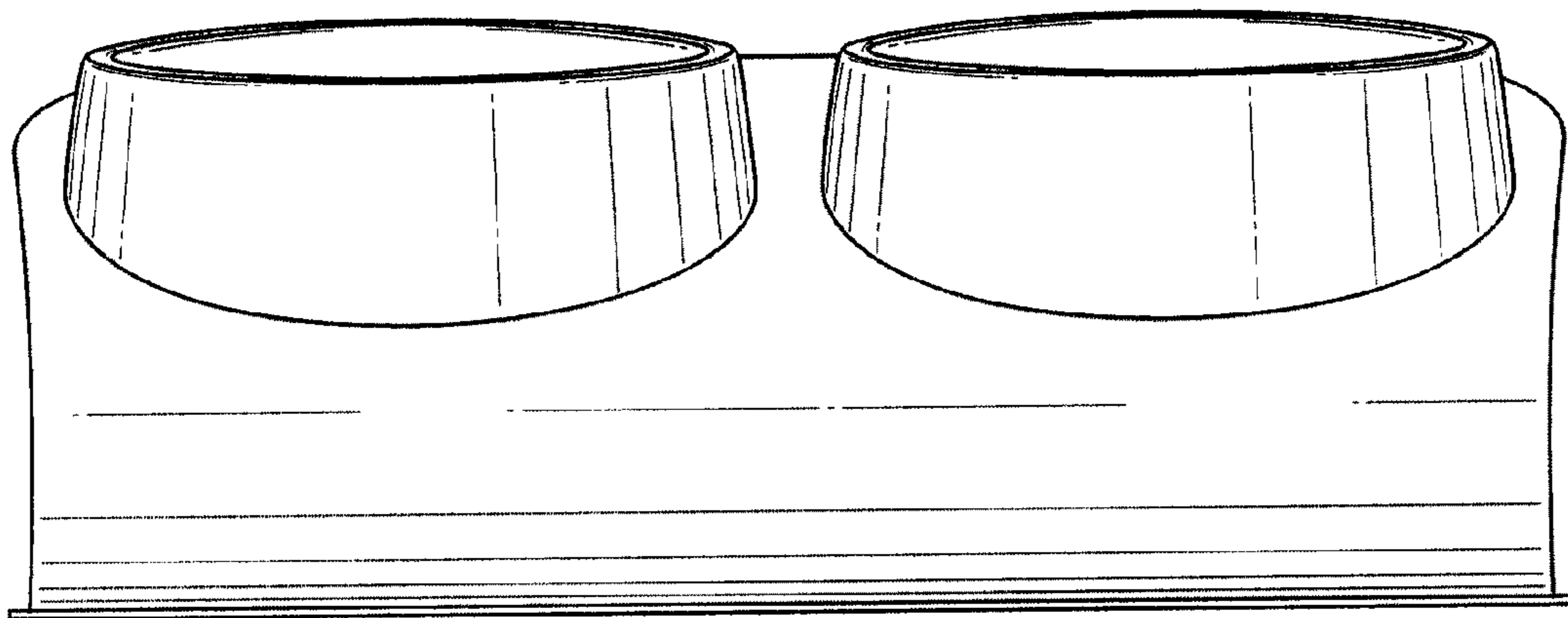


Fig. 3

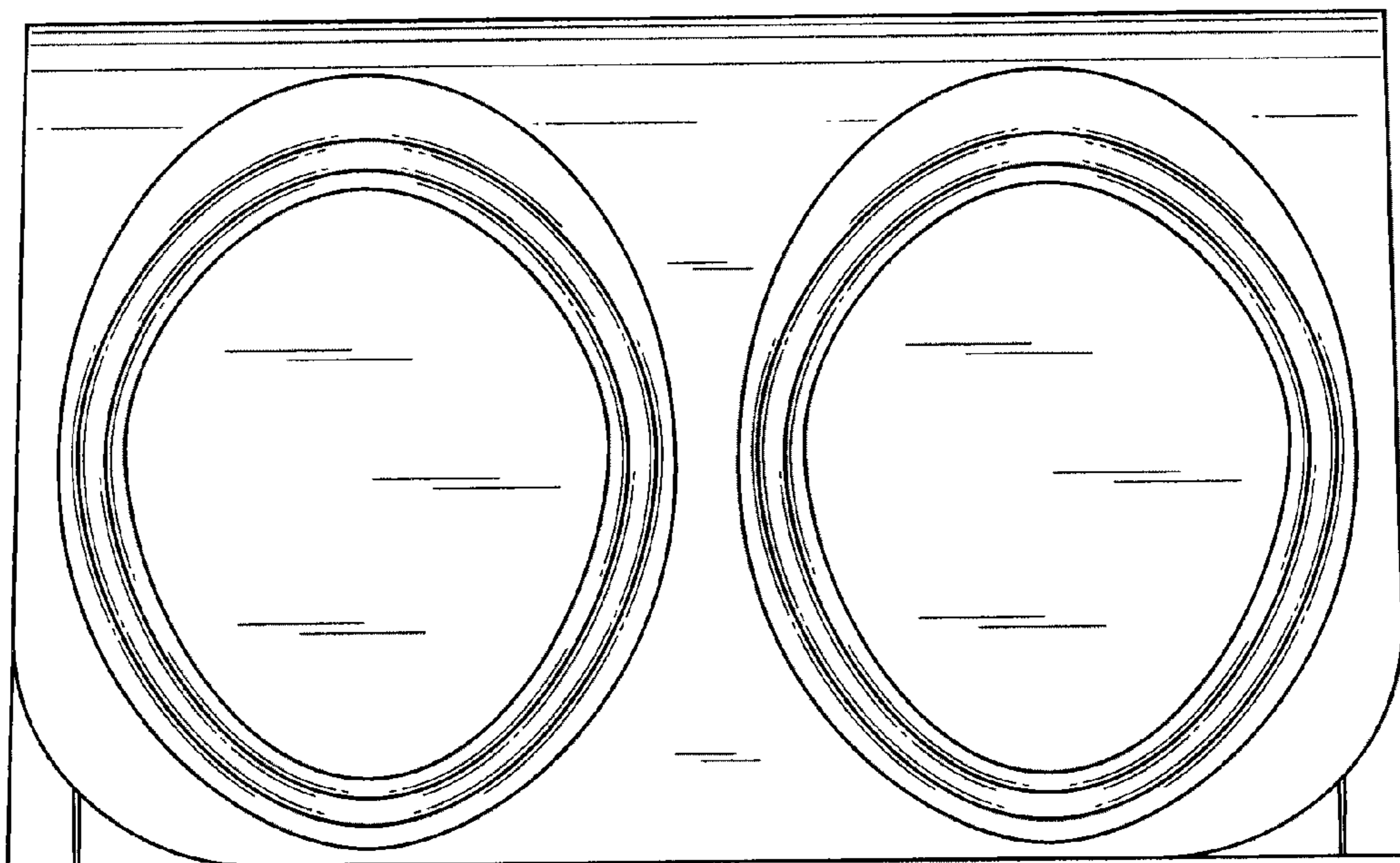


Fig. 4

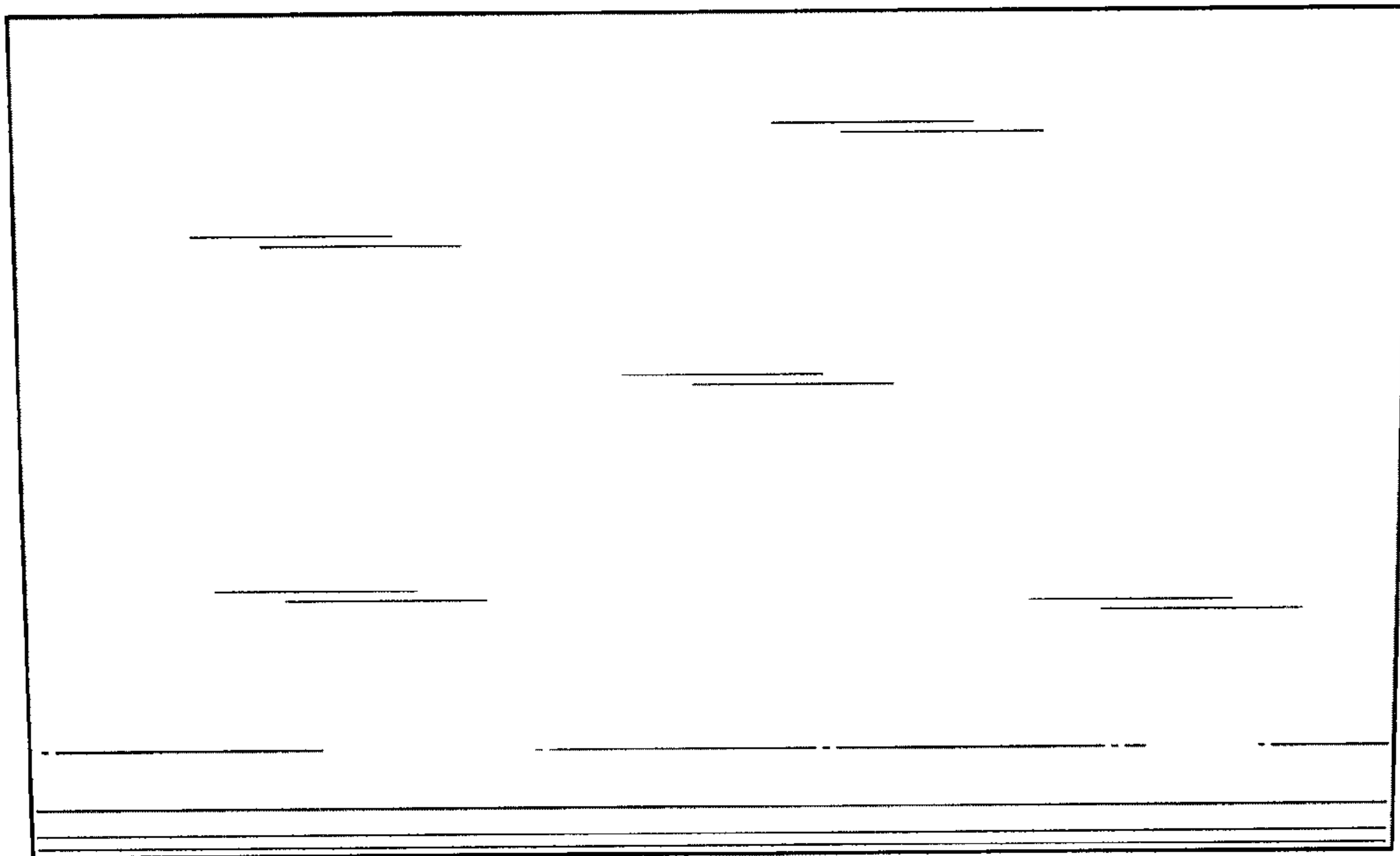


Fig. 5

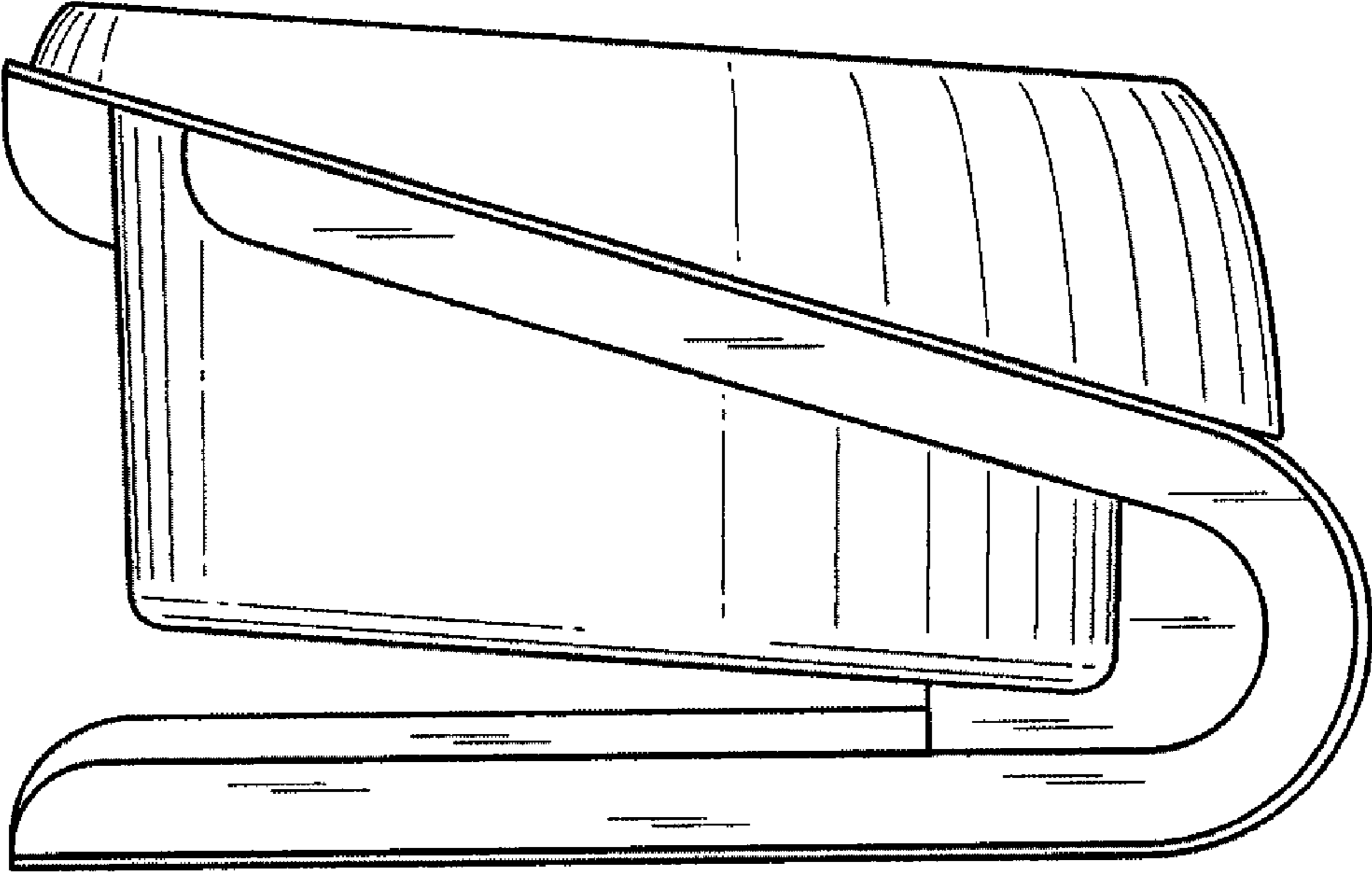


Fig. 6

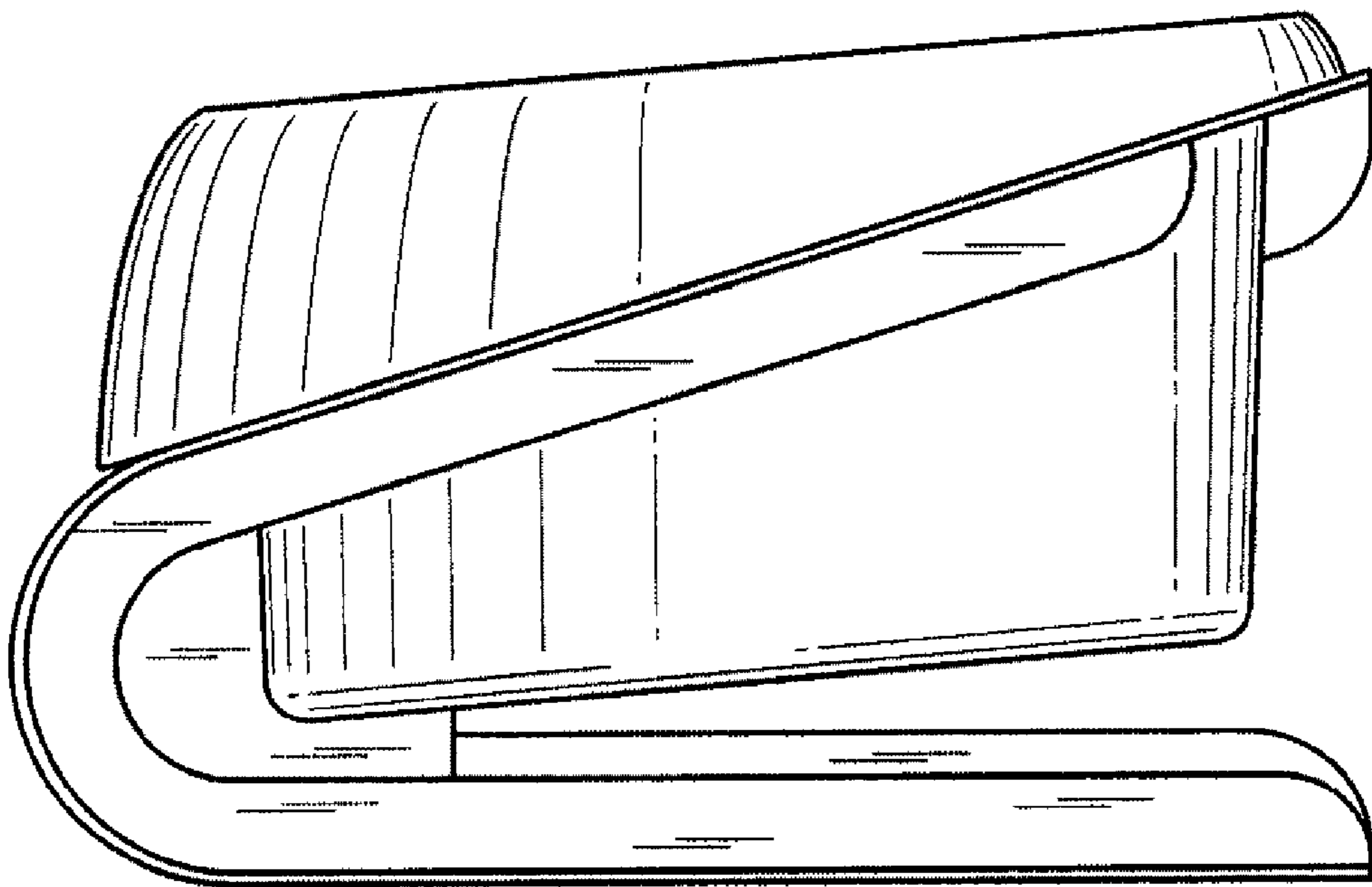


Fig. 7