



US00D646440S

(12) **United States Design Patent**
Chance et al.

(10) **Patent No.:** **US D646,440 S**
(45) **Date of Patent:** **** Oct. 4, 2011**

(54) **PET FEEDER**

(75) Inventors: **Christopher E. Chance**, Bella Vista, AR (US); **Andrew Bojie**, Centerton, AR (US)

(73) Assignee: **Stout Stuff, LLC**, Bentonville, AR (US)

(**) Term: **14 Years**

(21) Appl. No.: **29/385,843**

(22) Filed: **Feb. 21, 2011**

(51) **LOC (9) Cl.** **30-03**

(52) **U.S. Cl.** **D30/133; D30/130; D30/131**

(58) **Field of Classification Search** D30/133, D30/121, 128, 130, 132; 119/52.1, 55, 61.5-61.56; D6/480-485; 248/188; 312/204; 108/153.1-157
See application file for complete search history.

(56) **References Cited**

U.S. PATENT DOCUMENTS

D81,285 S *	6/1930	Huntington	D6/406.6
D105,450 S *	7/1937	Clifton	D30/130
D132,893 S *	6/1942	Corbett	D6/406.6
2,584,301 A *	2/1952	Sinclair		
2,741,901 A *	4/1956	Silos	211/85.4
D180,720 S *	7/1957	Orvedahl	D6/406.6
D188,415 S *	7/1960	Scheuer	D12/419
D207,198 S	3/1967	Robert		
D218,980 S *	10/1970	Balkus	D6/406.6
D221,217 S *	7/1971	Beychok	D12/419
D233,293 S *	10/1974	Rosen	D6/484
3,874,085 A *	4/1975	Atkins	33/524
D237,787 S *	11/1975	Weirich	D34/24
3,939,986 A *	2/1976	Pierro	211/74
D257,914 S *	1/1981	Wooters	D12/419
D260,043 S	7/1981	Robinson		
4,357,905 A	11/1982	Carpenter		
D276,767 S *	12/1984	Livi	D6/349
D279,845 S *	7/1985	Holliman	D14/457

D296,284 S *	6/1988	Colby	D6/487
D298,091 S *	10/1988	Wilson	D6/406.1
D300,290 S *	3/1989	Moberg	D7/701
D315,974 S *	4/1991	Steiner	D30/131
D318,960 S *	8/1991	Lilly et al.	D6/406.6
D319,358 S *	8/1991	Giugiaro	D6/406.6
D338,576 S *	8/1993	Livi	D6/484
D340,594 S *	10/1993	Lambert	D6/406.6
D342,350 S *	12/1993	Gower	D30/133
D358,158 S *	5/1995	Bush	D16/222
D359,862 S *	7/1995	Rousch	D6/406.6
D373,858 S	9/1996	Chen		
D374,517 S *	10/1996	Morrill	D30/133
D375,819 S	11/1996	Benson		
D377,244 S	1/1997	Steininger		
5,624,043 A *	4/1997	Baptista	211/74
D383,918 S *	9/1997	Prince	D6/406.3
D390,718 S *	2/1998	Howland et al.	D6/406.6
D405,291 S *	2/1999	Yu	D6/406.5

(Continued)

Primary Examiner — Susan Moon Lee

(74) *Attorney, Agent, or Firm* — Larkin Hoffman Daly & Lindgren, Ltd.; Thomas J. Oppold

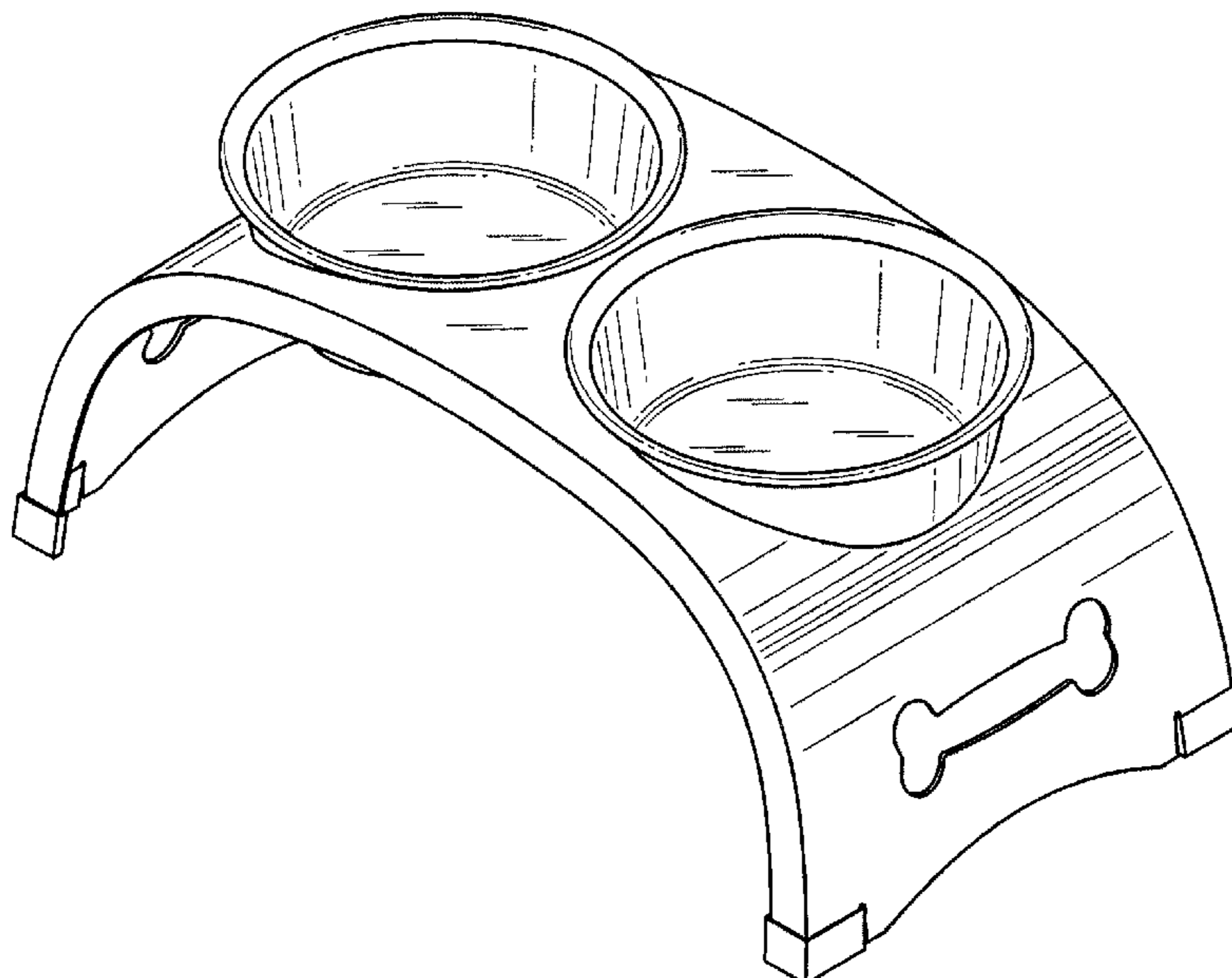
(57) **CLAIM**

The ornamental design for a pet feeder, as shown and described.

DESCRIPTION

FIG. 1 is a perspective view of the pet feeder of the present design.
FIG. 2 is a front elevation view of the pet feeder of FIG. 1.
FIG. 3 is a rear elevation side view of the pet feeder of FIG. 1.
FIG. 4 is a top plan view of the pet feeder of FIG. 1.
FIG. 5 is a bottom plan view of the pet feeder of FIG. 1.
FIG. 6 is a right side elevation view of the pet feeder of FIG. 1; and,
FIG. 7 is a left side elevation view of the pet feeder of FIG. 1.

1 Claim, 7 Drawing Sheets



US D646,440 S

Page 2

U.S. PATENT DOCUMENTS

D412,377 S	7/1999	Sharon	
D414,303 S	9/1999	Sharon	
D428,729 S *	8/2000	Weitzman et al.	D6/406.6
6,209,487 B1	4/2001	Quinlan et al.	
D455,025 S *	4/2002	Weitzman et al.	D6/406.5
D477,691 S *	7/2003	Crowley	D30/131
D478,193 S	8/2003	Routh	
6,705,249 B2	3/2004	Quinlan et al.	
D491,697 S	6/2004	Tsengas	
6,786,177 B1	9/2004	Lemkin	
D505,523 S	5/2005	Rahman	
D551,400 S	9/2007	Tsengas	
D562,081 S *	2/2008	Ambach	D7/619.1
D565,805 S	4/2008	Modi et al.	
D577,466 S	9/2008	Shamoon	
D580,109 S	11/2008	Rutherford et al.	
D588,373 S *	3/2009	Rushton	D6/406.6
D591,074 S *	4/2009	Powers et al.	D6/406.6
D592,814 S	5/2009	Uffner et al.	
D601,865 S *	10/2009	Castellucci et al.	D7/701
D618,861 S	6/2010	Bahnean et al.	
D618,862 S	6/2010	Shamoon et al.	
D621,559 S *	8/2010	Clark, Jr.	D30/133
D636,642 S *	4/2011	Dulin	D7/701
2008/0196668 A1	8/2008	Clark	
2009/0241844 A1 *	10/2009	Becattini et al.	119/51.5
2010/0107984 A1 *	5/2010	Uffner et al.	119/61.5

* cited by examiner

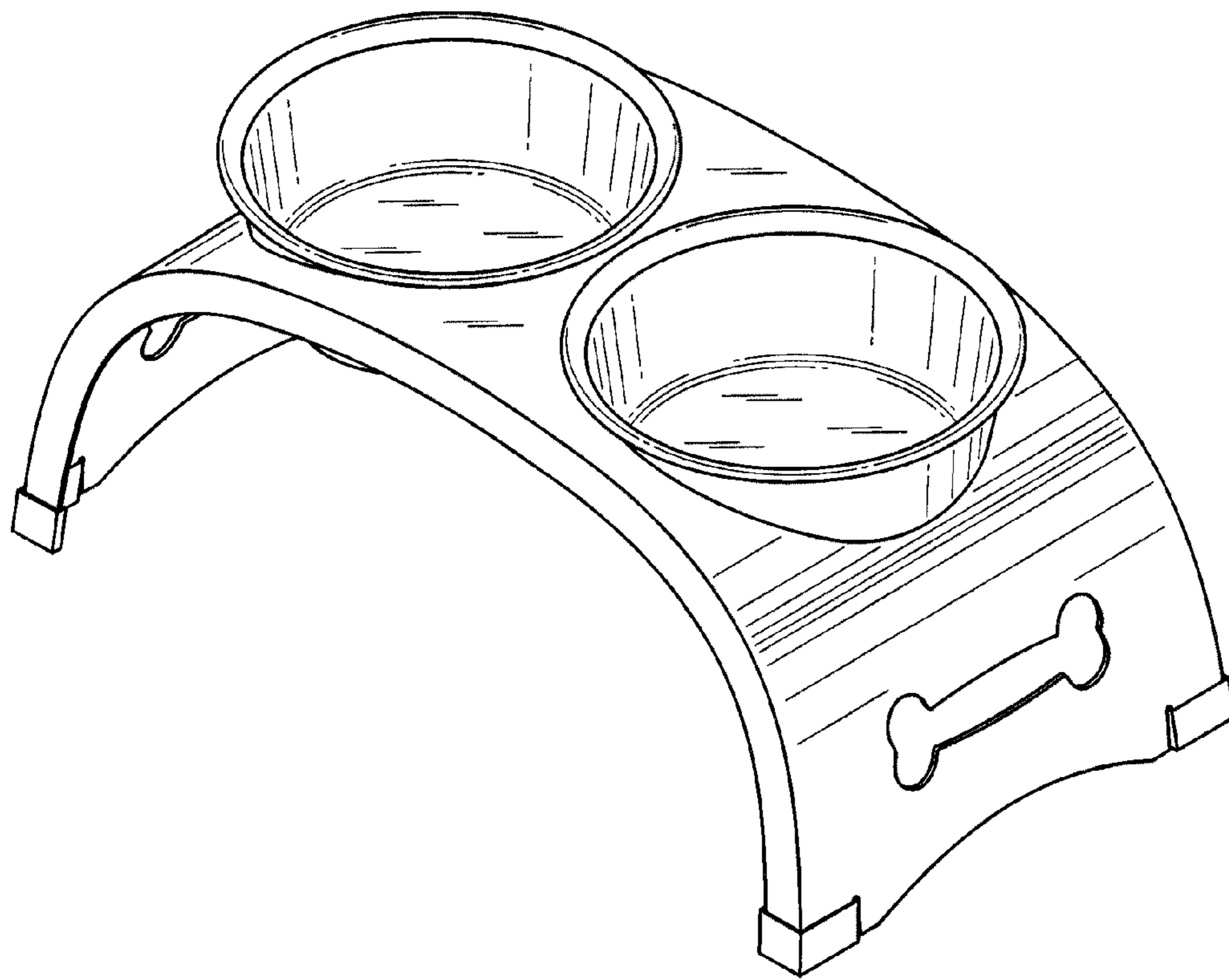


Fig. 1

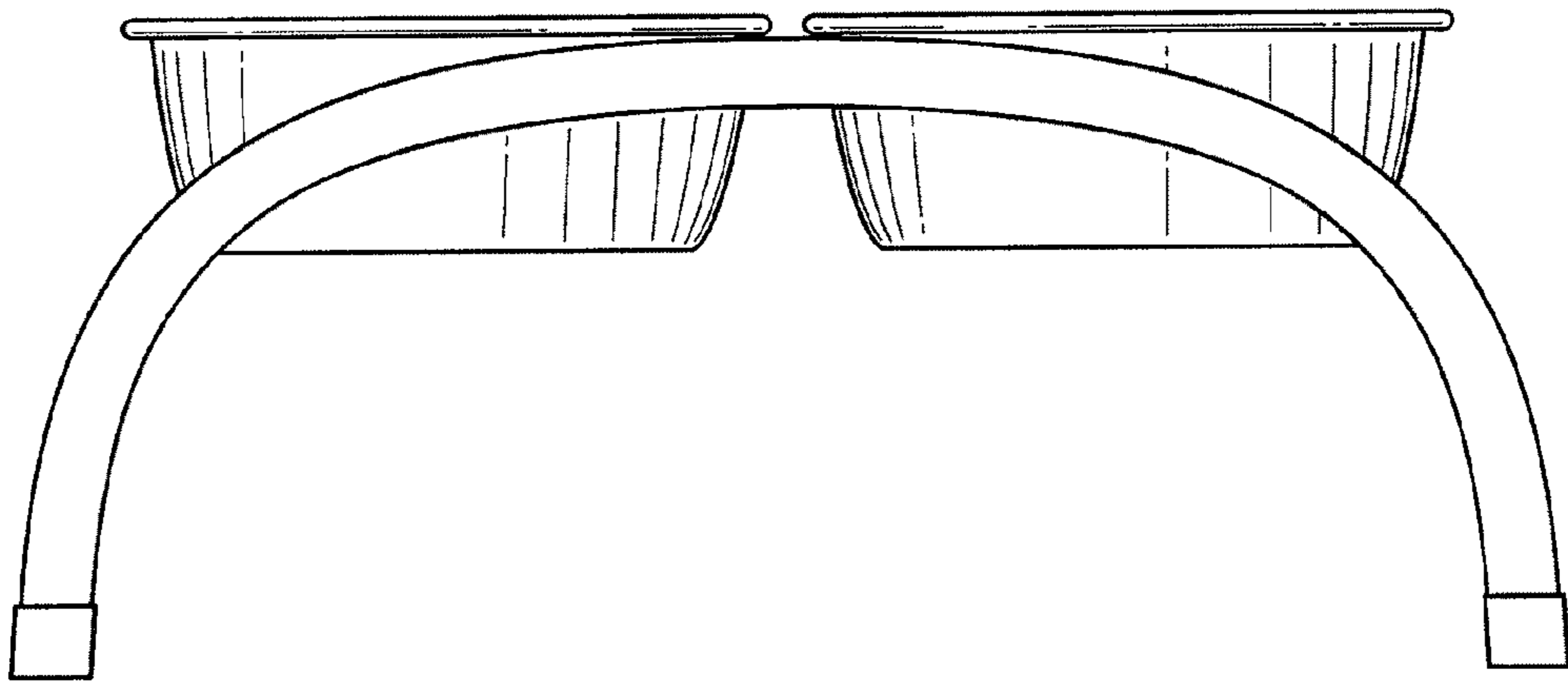


Fig. 2

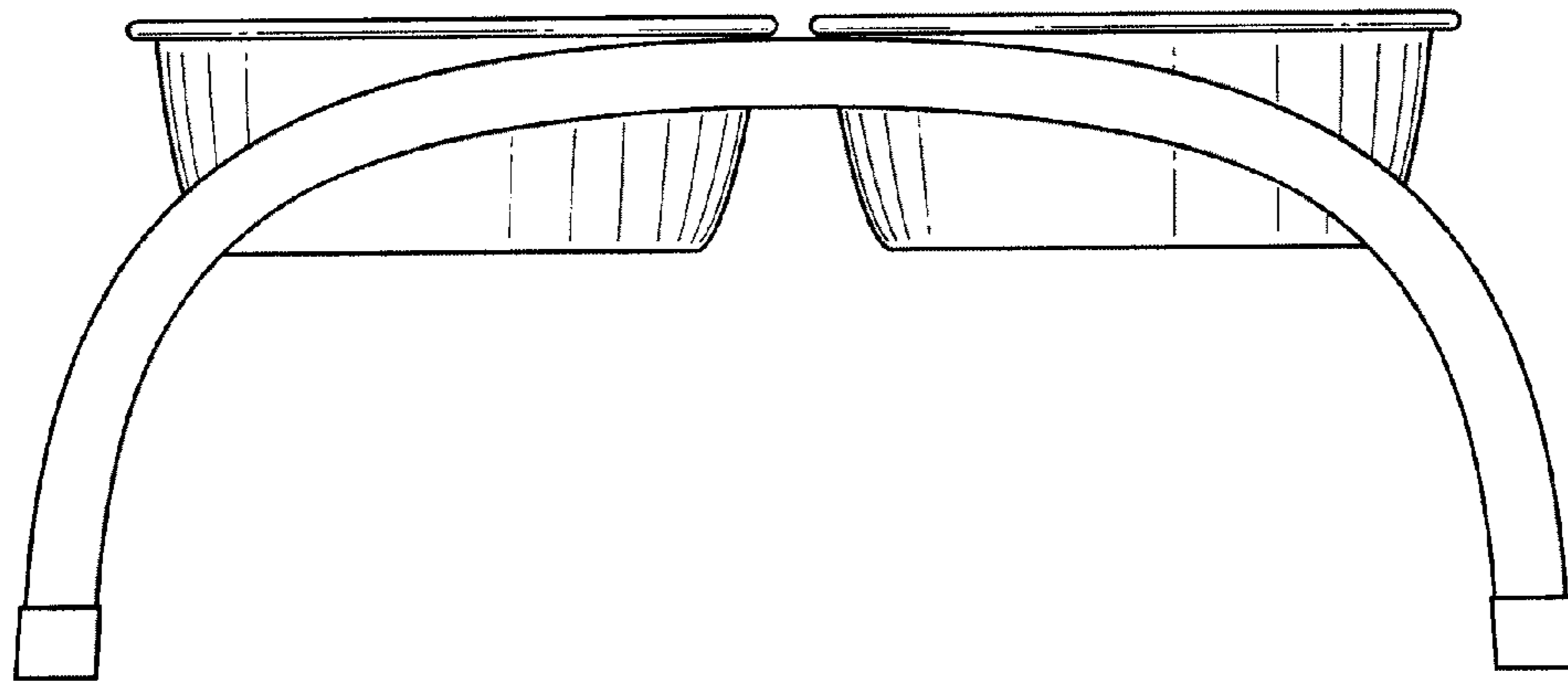


Fig. 3

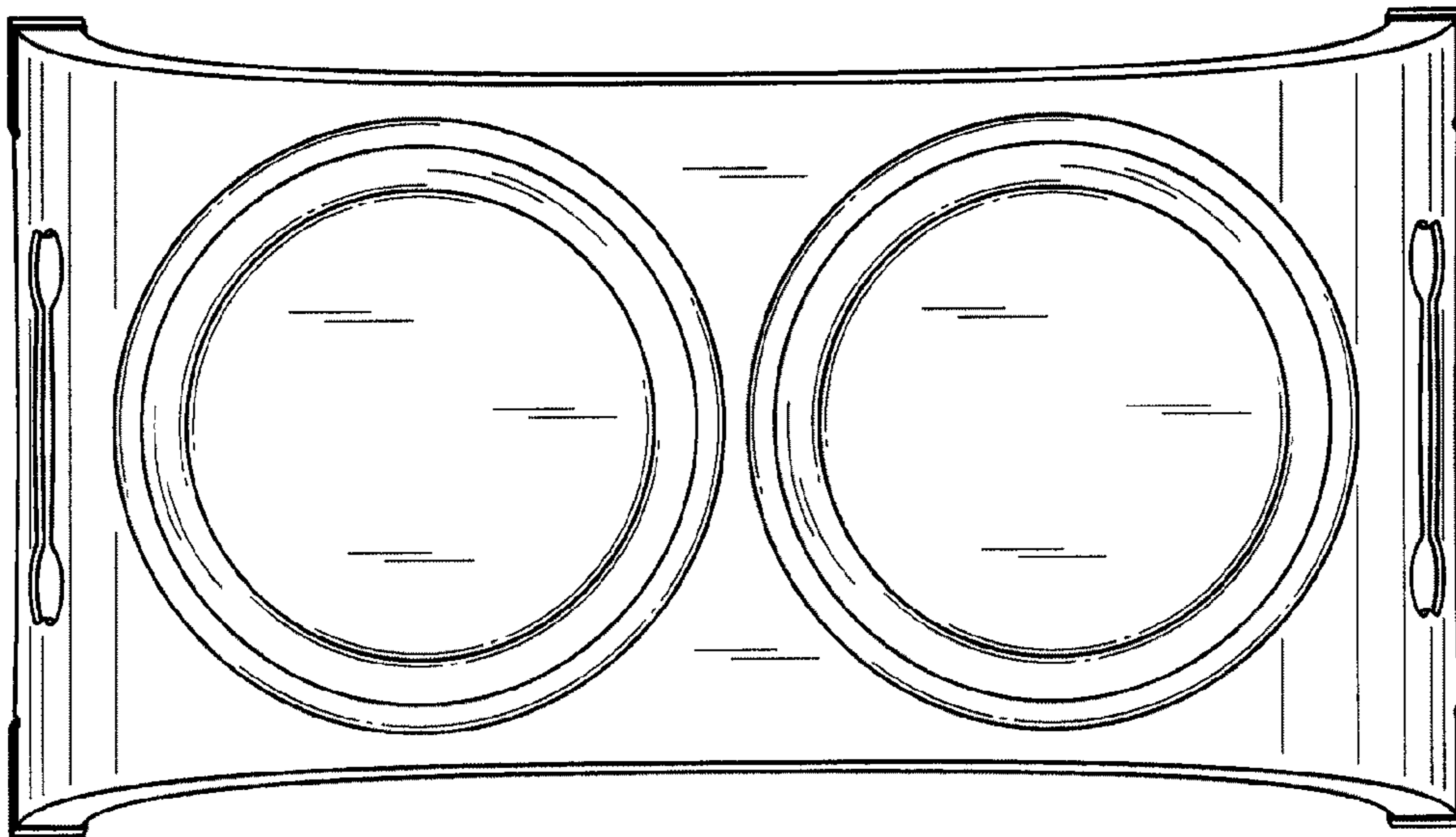


Fig. 4

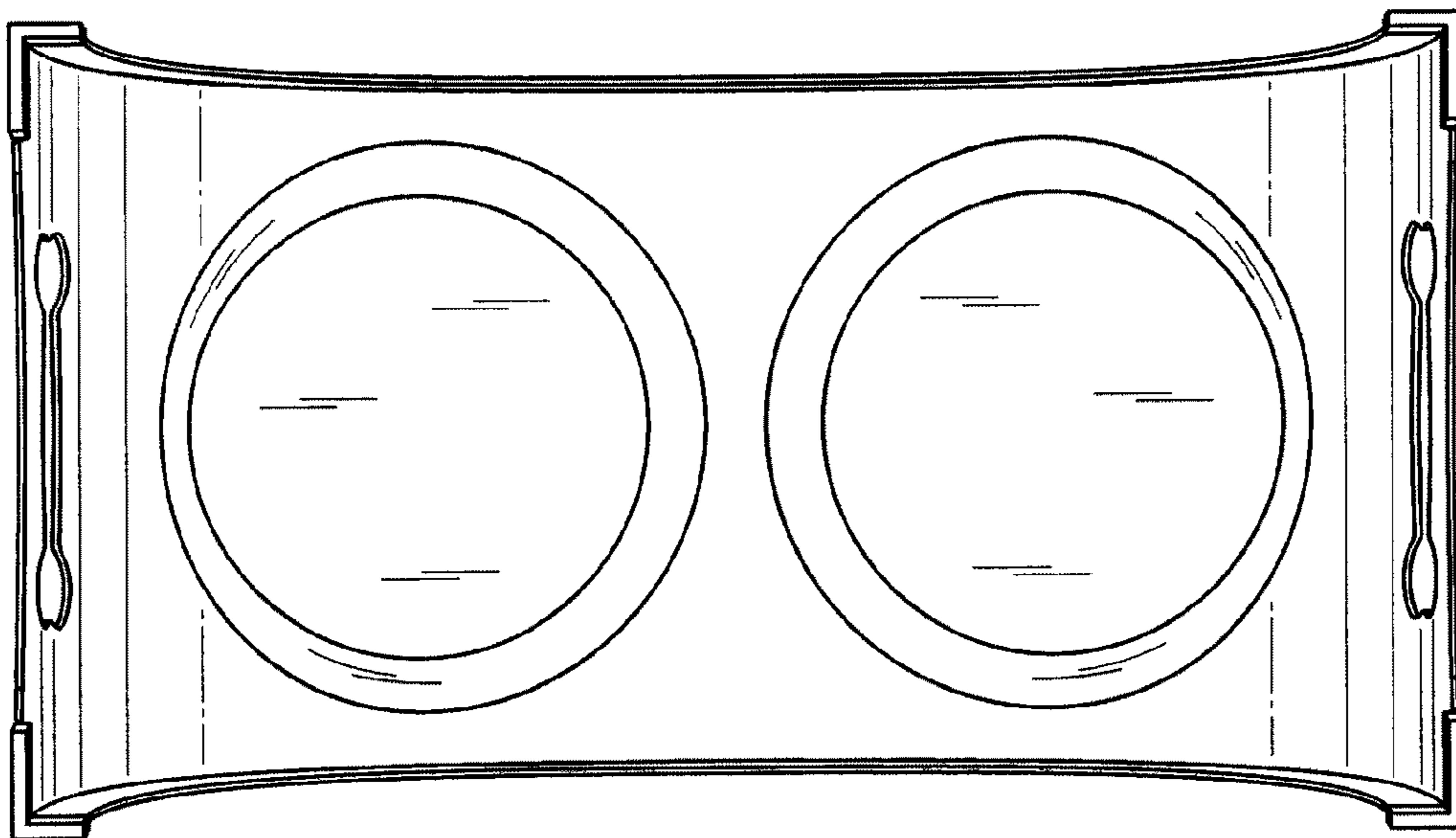


Fig. 5

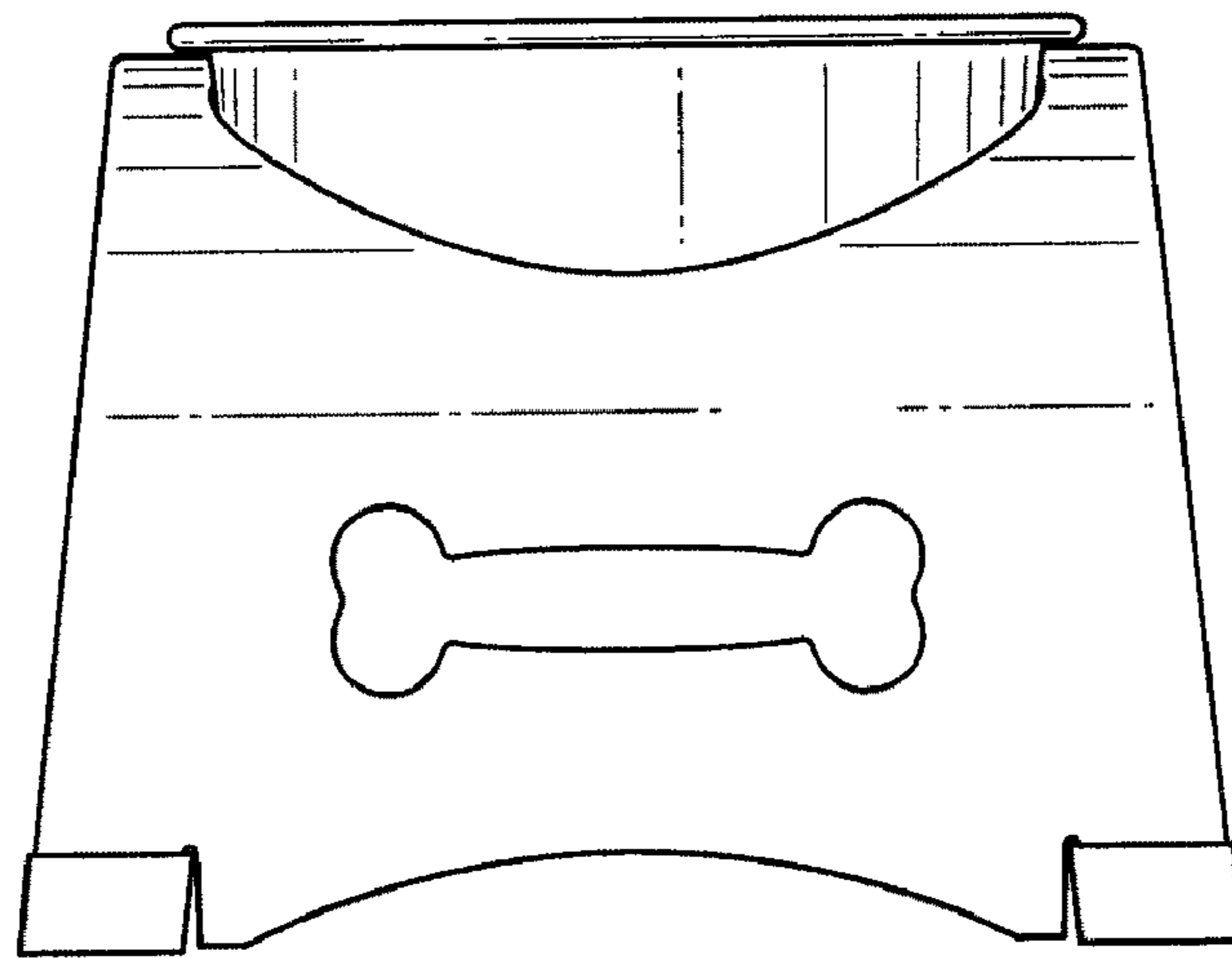


Fig. 6

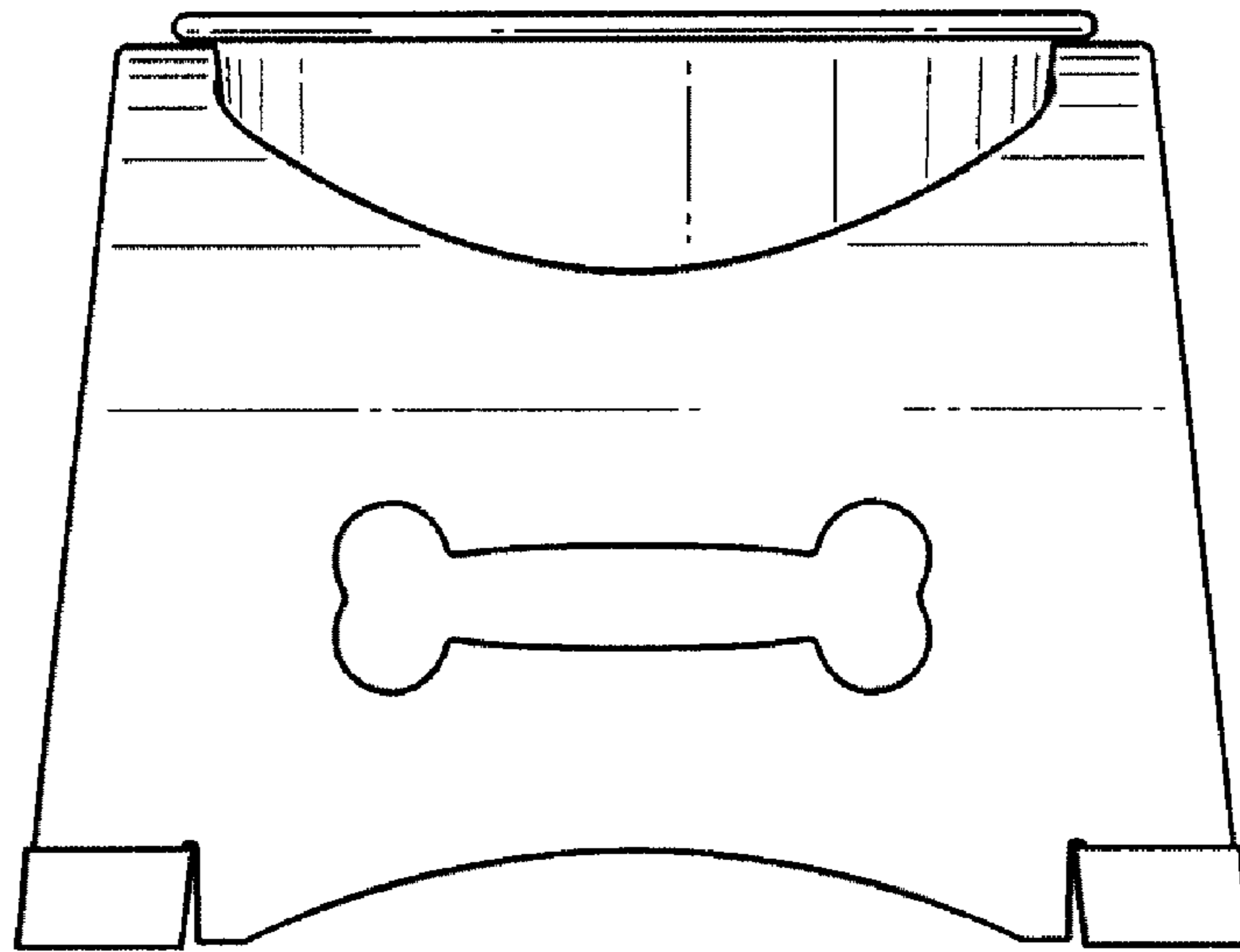


Fig. 7