



US00D646438S

(12) **United States Design Patent**
Leventhal et al.

(10) **Patent No.:** **US D646,438 S**

(45) **Date of Patent:** **** Oct. 4, 2011**

(54) **SHAVER**

(75) Inventors: **James M. Leventhal**, Watertown, MA
(US); **Jordan Nollman**, Cambridge, MA
(US)

(73) Assignee: **Clio Designs, Incorporated**, Watertown,
MA (US)

(**) Term: **14 Years**

(21) Appl. No.: **29/382,035**

(22) Filed: **Dec. 28, 2010**

(51) **LOC (9) Cl.** **28-03**

(52) **U.S. Cl.** **D28/51**

(58) **Field of Classification Search** 30/32, 32.05,
30/34.1-34.2, 41, 43-43.92, 44-46, 47-51,
30/57-58, 77-84, 526-539, 346.5-346.56,
30/346.61; D28/44-54

See application file for complete search history.

(56) **References Cited**

U.S. PATENT DOCUMENTS

4,512,077	A *	4/1985	Tanabe et al.	30/43
D311,971	S *	11/1990	Faerber	D28/46
5,544,415	A *	8/1996	Huang	30/43.92
D413,181	S *	8/1999	Yamagishi	D28/48
D437,087	S *	1/2001	Yamagishi	D28/48
D484,642	S *	12/2003	Lau	D28/51

D496,492	S *	9/2004	McCambridge et al.	D28/53
D506,034	S *	6/2005	Cornelissen	D28/46
D518,236	S *	3/2006	Butcher	D28/53
D519,678	S *	4/2006	Butcher	D28/51
D571,040	S *	6/2008	Seki et al.	D28/44.1
D588,743	S *	3/2009	Kubono et al.	D28/44.1
D593,253	S *	5/2009	Tamsiran	D28/51
D608,051	S *	1/2010	Tamsiran	D28/44.1
D629,159	S *	12/2010	Yoon	D28/46

* cited by examiner

Primary Examiner — Jennifer Rivard

(74) *Attorney, Agent, or Firm* — Mintz, Levin, Cohn, Ferris,
Glovsky and Popeo, P.C.

(57) **CLAIM**

The ornamental design for a shaver, as shown and described.

DESCRIPTION

FIG. 1 is a front perspective view of a shaver showing our new design;

FIG. 2 is a front view thereof;

FIG. 3 is a back view thereof;

FIG. 4 is a left side view thereof;

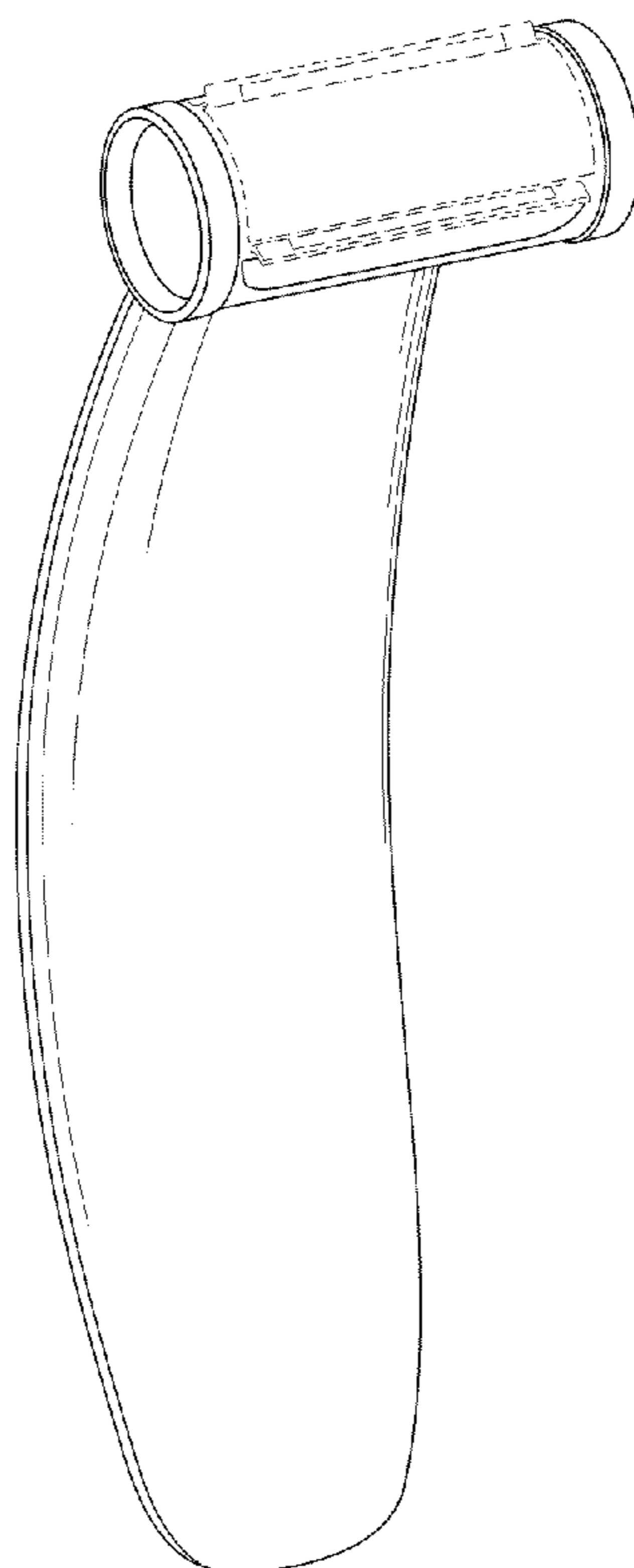
FIG. 5 is a right side view thereof;

FIG. 6 is a top plan view thereof; and,

FIG. 7 is a bottom plan view thereof.

The broken lines shown in the drawing disclosure are for illustrative purposes only and form no part of the claimed design.

1 Claim, 6 Drawing Sheets



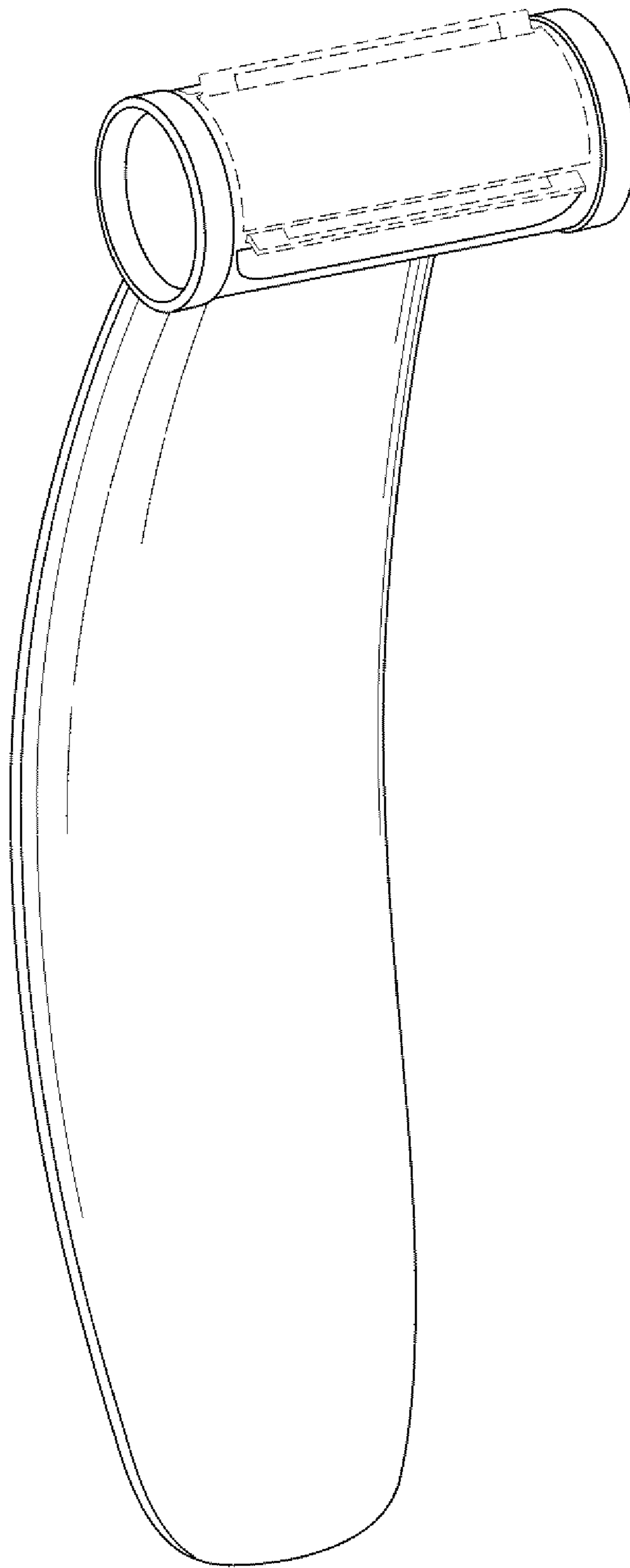


Fig. 1

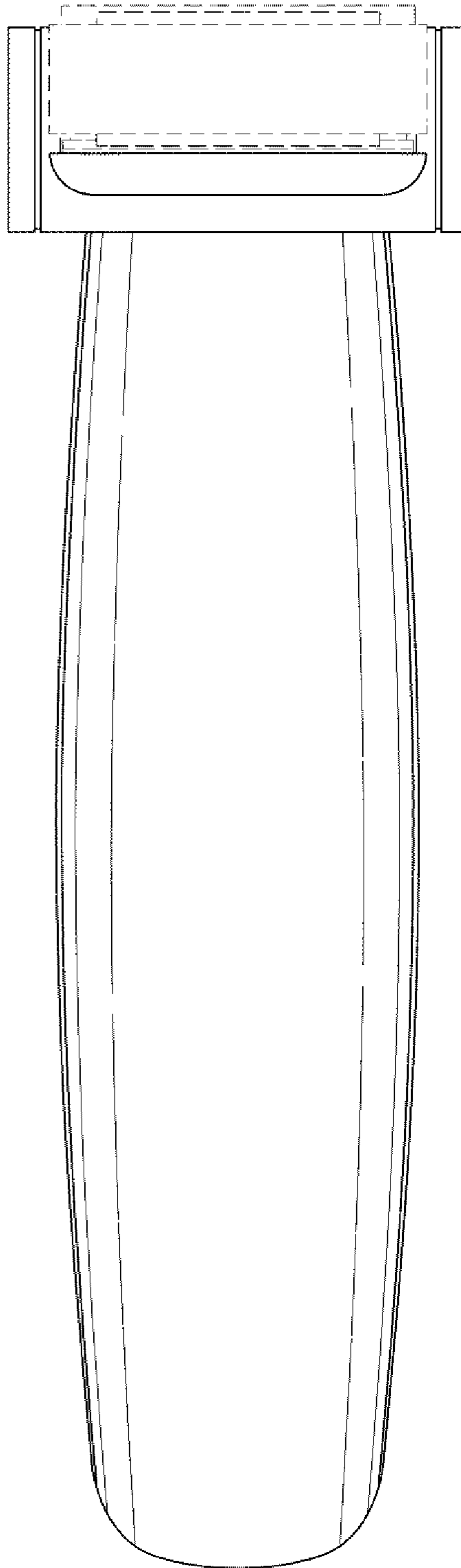


Fig. 2

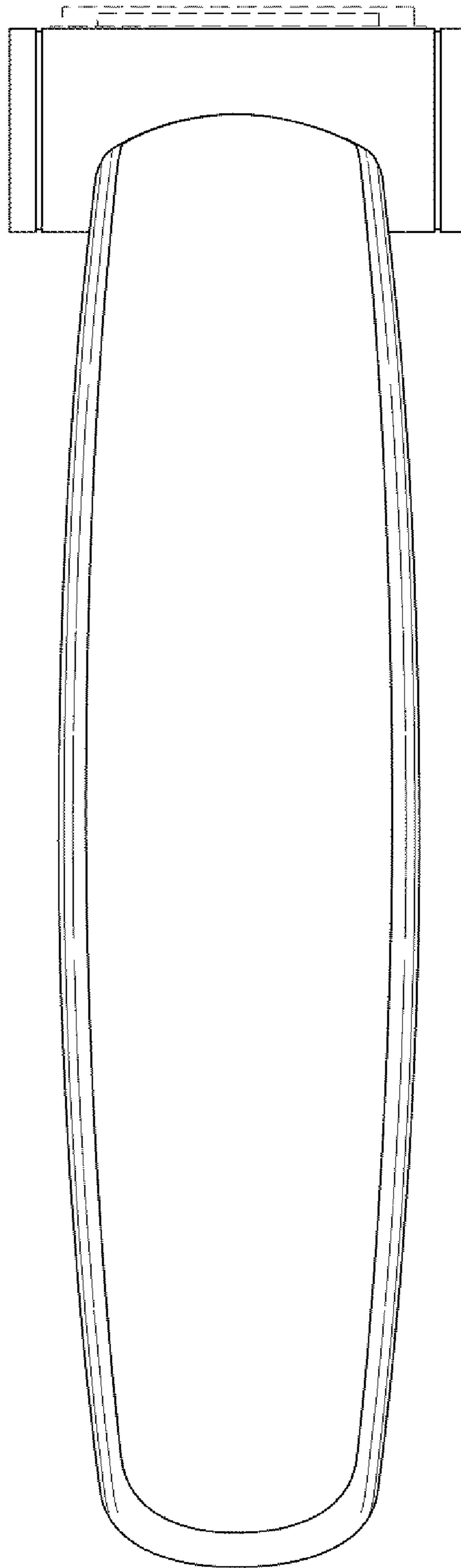


Fig. 3

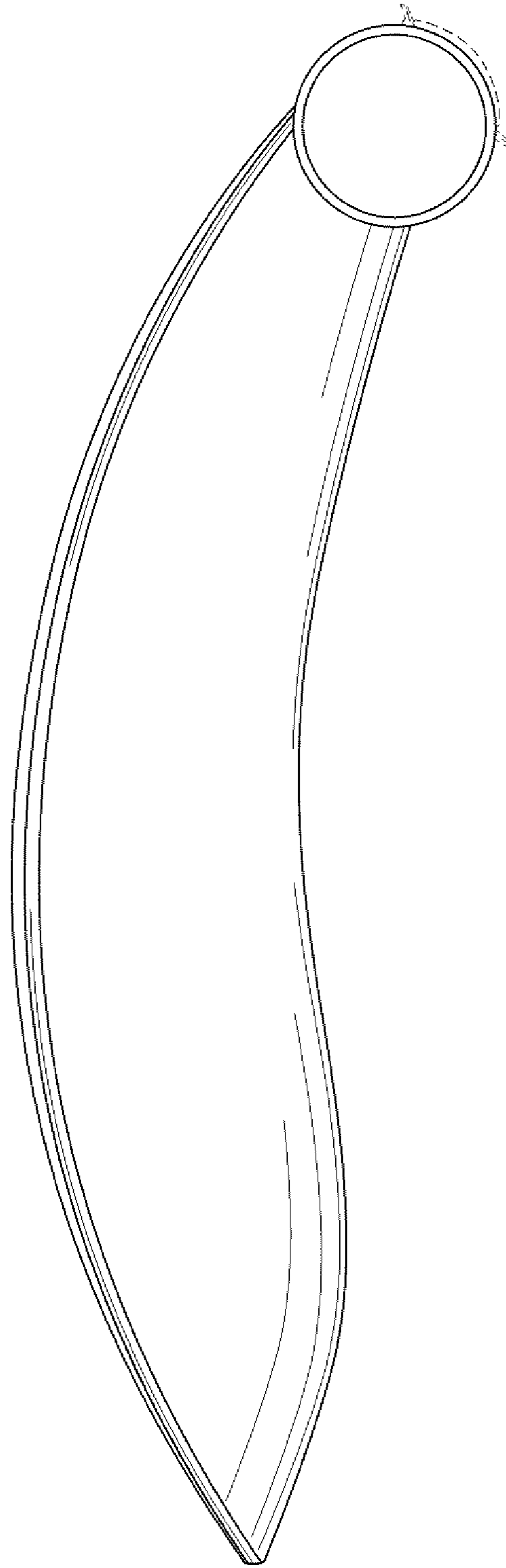


Fig. 4

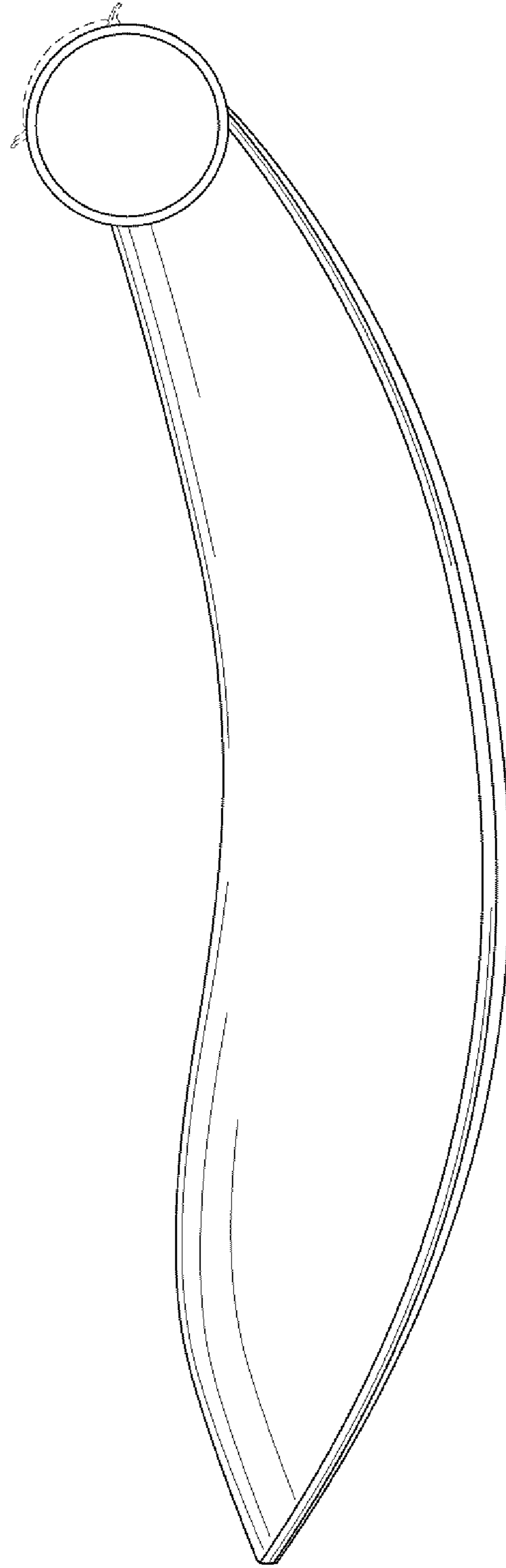


Fig. 5

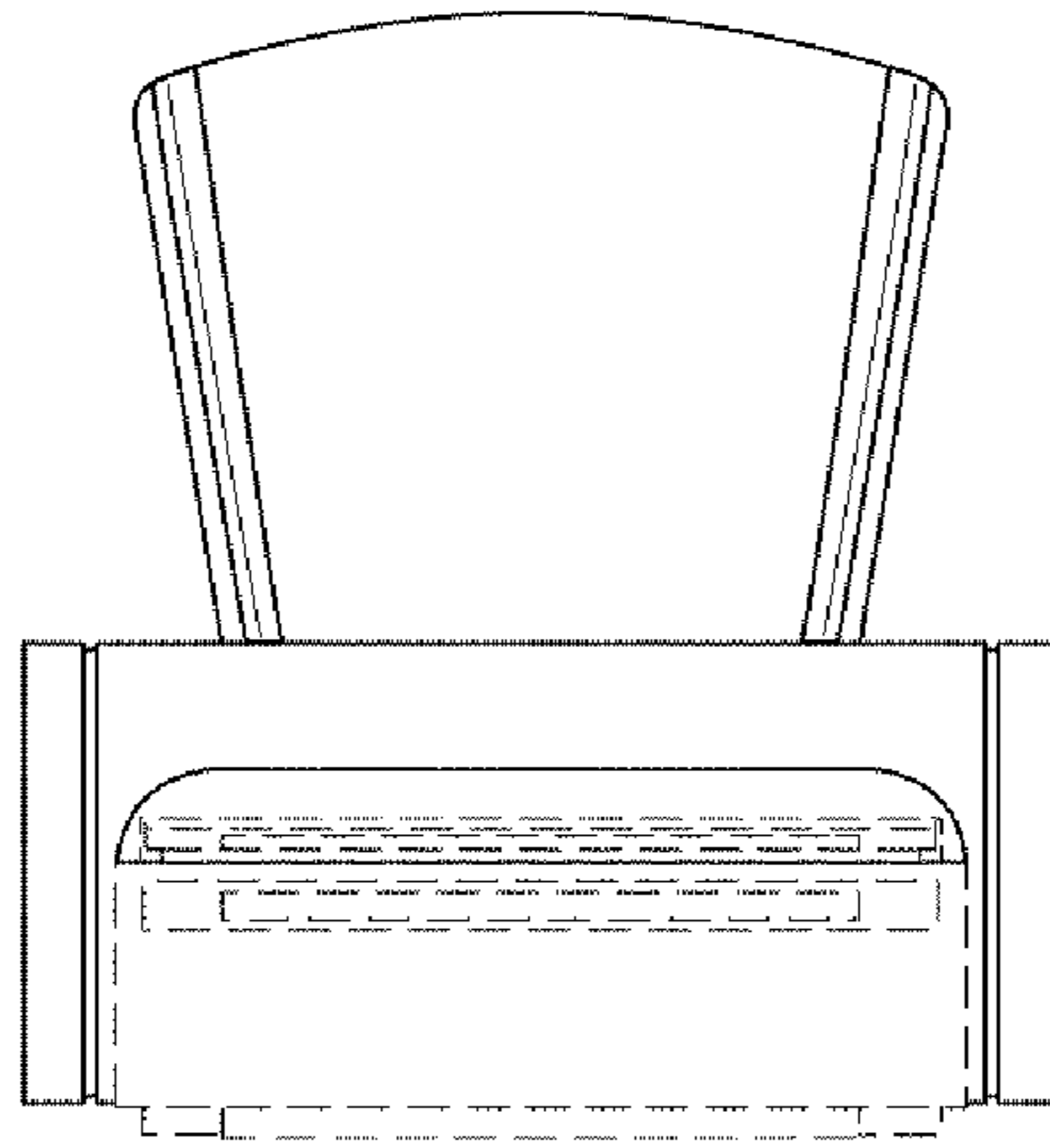


Fig. 6

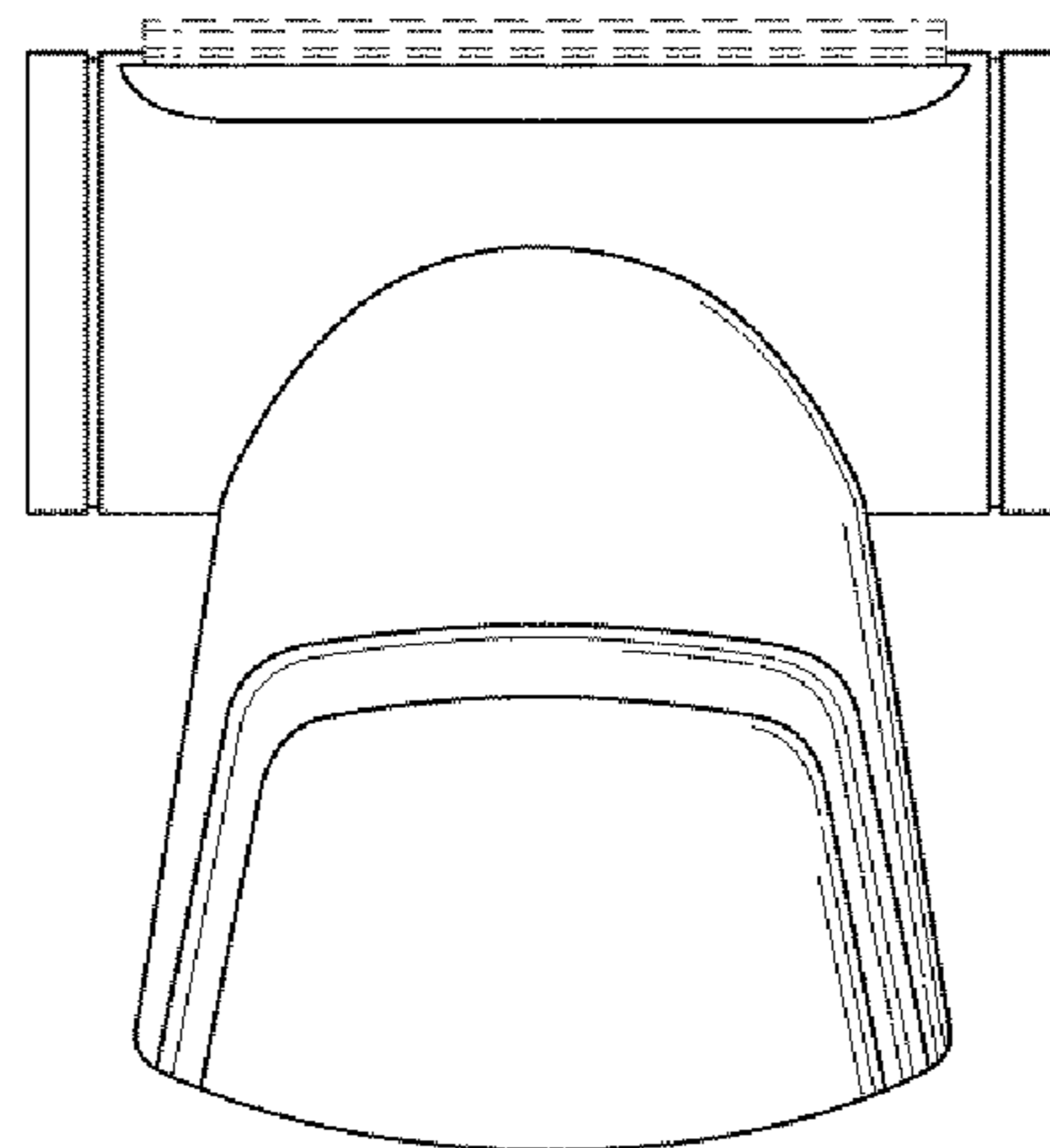


Fig. 7