



US00D646434S

(12) **United States Design Patent**
Libman et al.

(10) **Patent No.:** **US D646,434 S**
(45) **Date of Patent:** **** Oct. 4, 2011**

(54) **COMB**

(75) Inventors: **Andrew Libman**, Arcola, IL (US);
Robert J. Libman, Arcola, IL (US);
Aaron Libman, Arcola, IL (US); **Tobia Berti**, Venice (IT)

(73) Assignee: **The Libman Company**, Arcola, IL (US)

(**) Term: **14 Years**

(21) Appl. No.: **29/386,540**

(22) Filed: **Mar. 2, 2011**

(51) **LOC (9) Cl.** **28-03**

(52) **U.S. Cl.** **D28/33**

(58) **Field of Classification Search** D28/7,
D28/20-34; 132/53, 112, 126, 150, 208,
132/219.216; D32/49; 15/142, 143.1; D30/158,
D30/159

See application file for complete search history.

(56) **References Cited**

U.S. PATENT DOCUMENTS

1,425,923	A	8/1922	Weyrauch	
2,254,816	A *	9/1941	Bergmann	132/122
2,564,721	A	2/1947	Raya	
D159,716	S *	8/1950	Castelli	D28/25
2,564,239	A *	8/1951	Voight	132/106
3,170,182	A	2/1965	Burian	
3,358,698	A *	12/1967	Blanchard	132/252

D244,712	S *	6/1977	Houston	D30/159
D253,970	S *	1/1980	Whiteman	D28/25
D276,945	S	12/1984	Goodrich	
D327,821	S *	7/1992	Desbiens	D7/669
5,802,657	A	9/1998	Nogues et al.	
D457,983	S *	5/2002	Bejdova	D28/37

* cited by examiner

Primary Examiner — Zenia Bennett

(74) *Attorney, Agent, or Firm* — Banner & Witcoff, Ltd.

(57) **CLAIM**

The ornamental design for a comb, as shown and described.

DESCRIPTION

FIG. 1 is a top, front, left perspective view of a comb showing our new design;

FIG. 2 is a bottom perspective view thereof;

FIG. 3 is a top view thereof;

FIG. 4 is a bottom view thereof;

FIG. 5 is a left side view thereof;

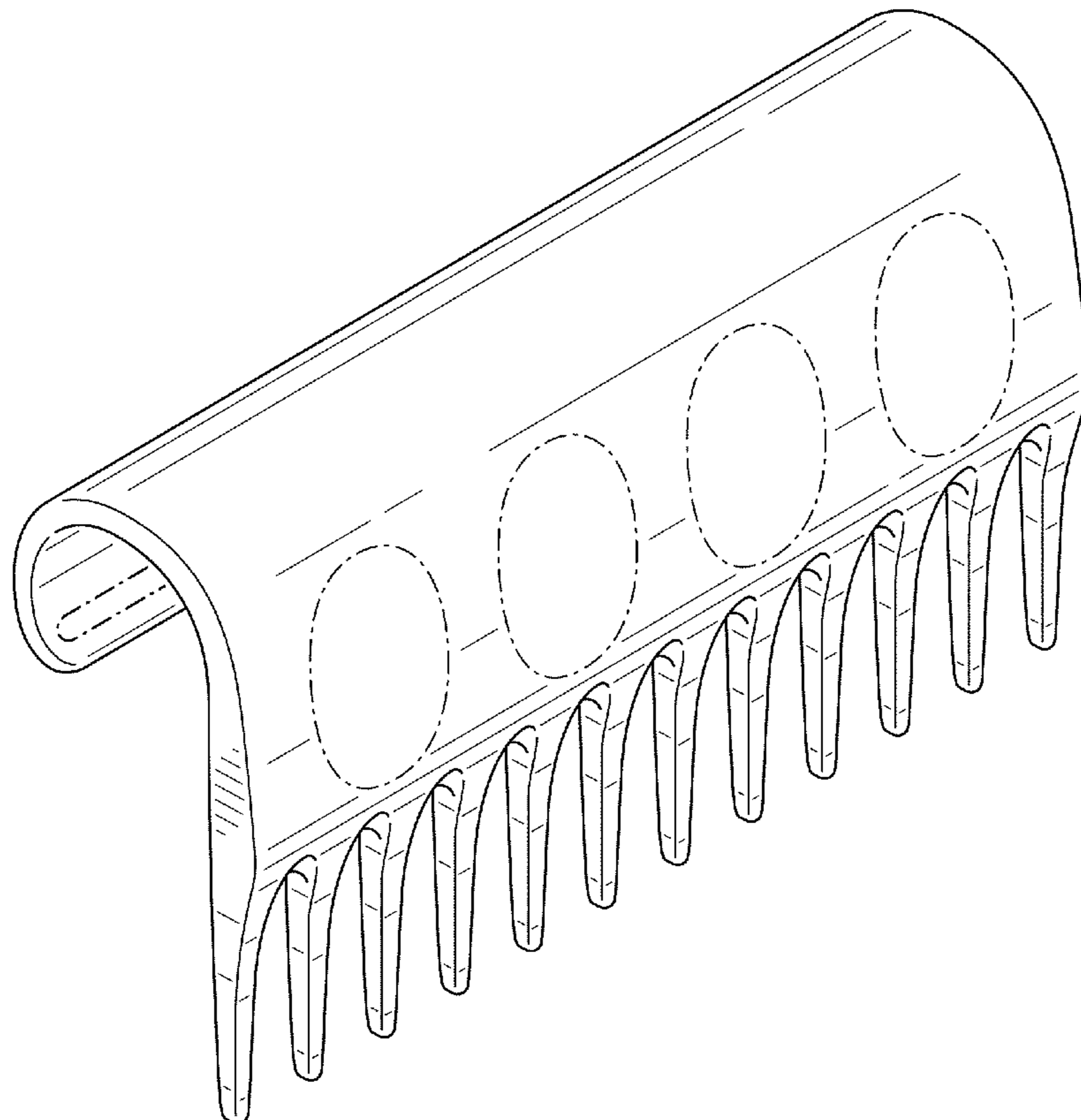
FIG. 6 is a right side view thereof;

FIG. 7 is a front view thereof; and,

FIG. 8 is a rear view thereof.

The broken lines represent unclaimed boundaries of the design.

1 Claim, 5 Drawing Sheets



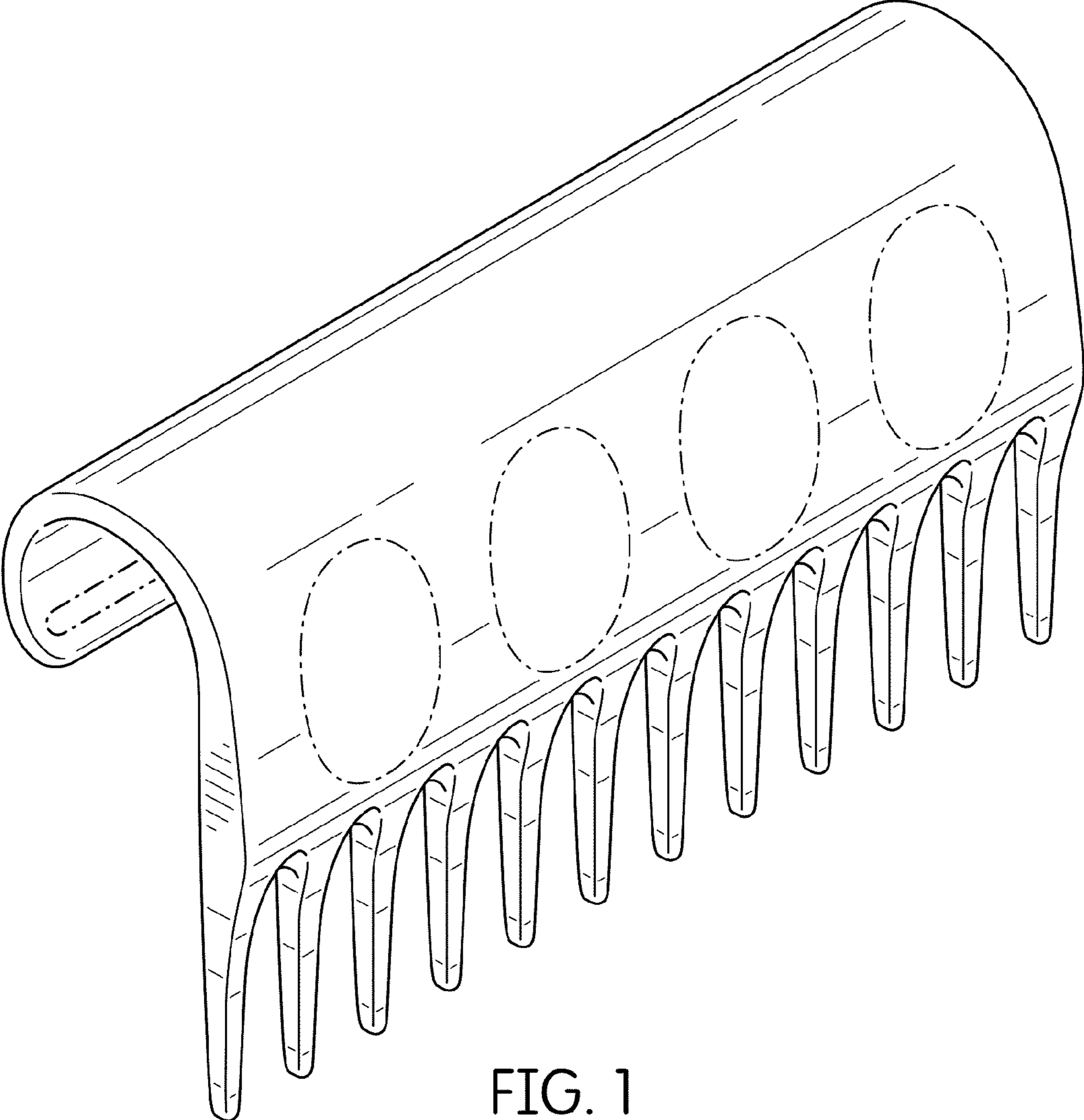


FIG. 1

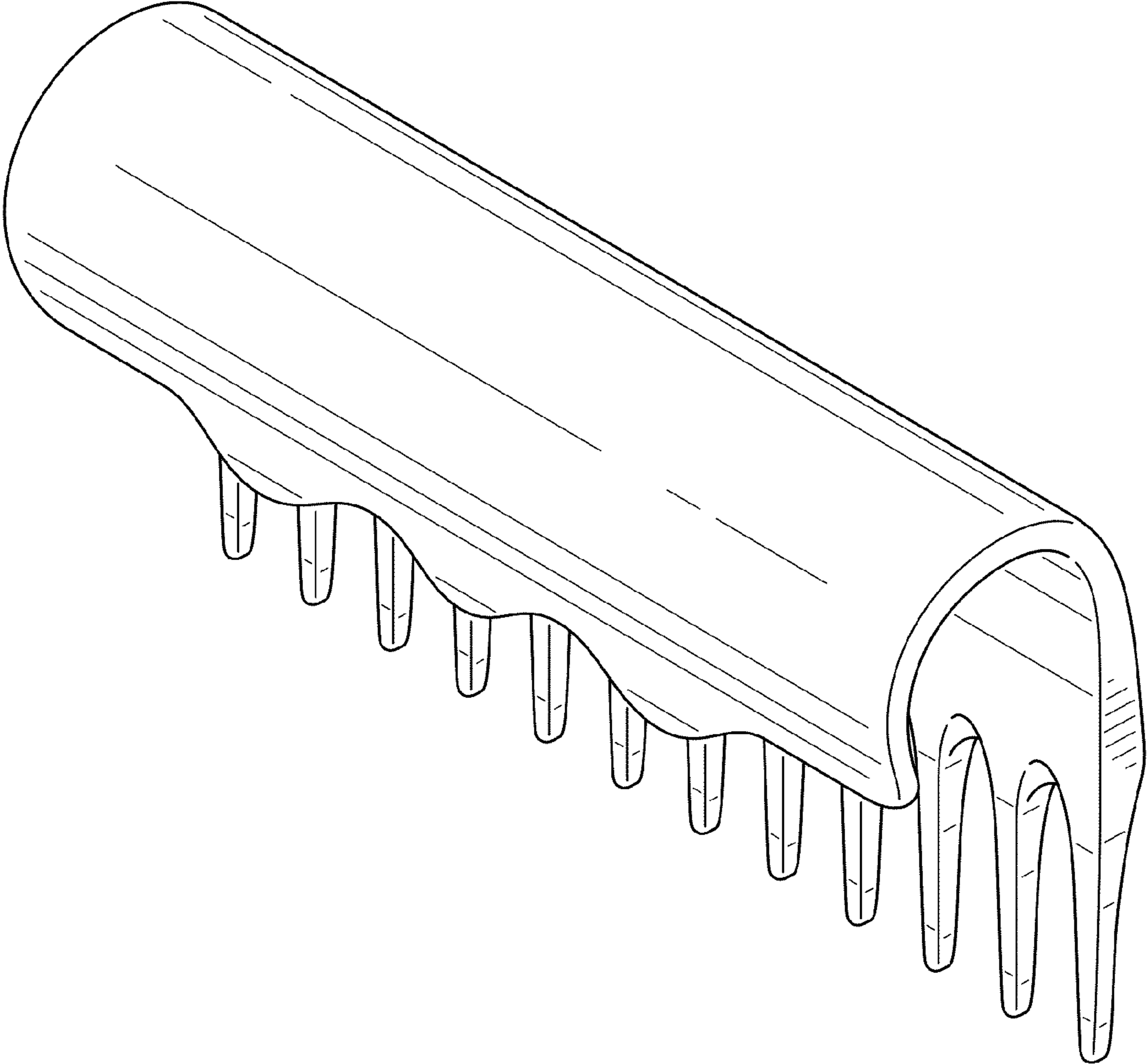


FIG. 2

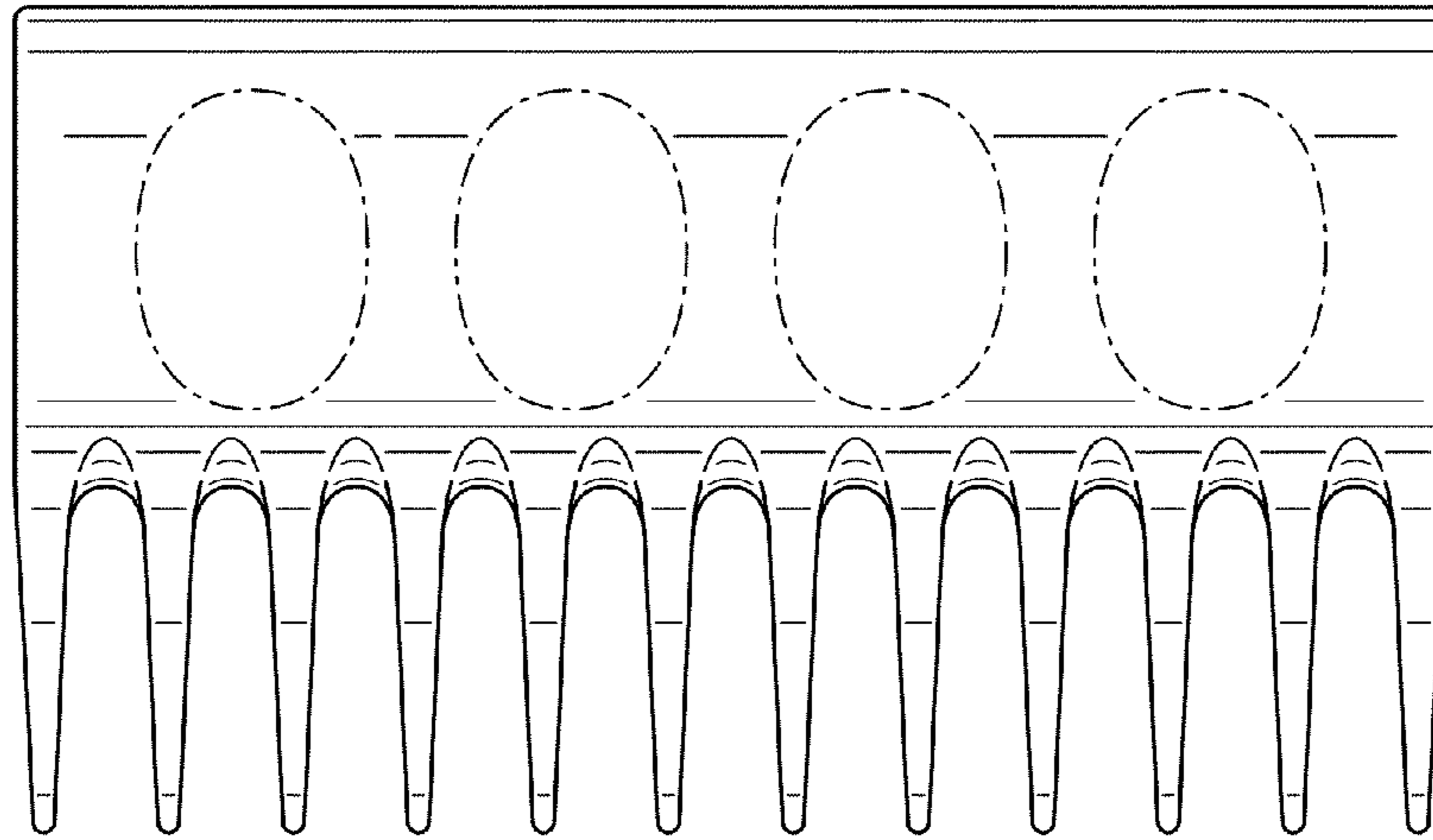


FIG. 3

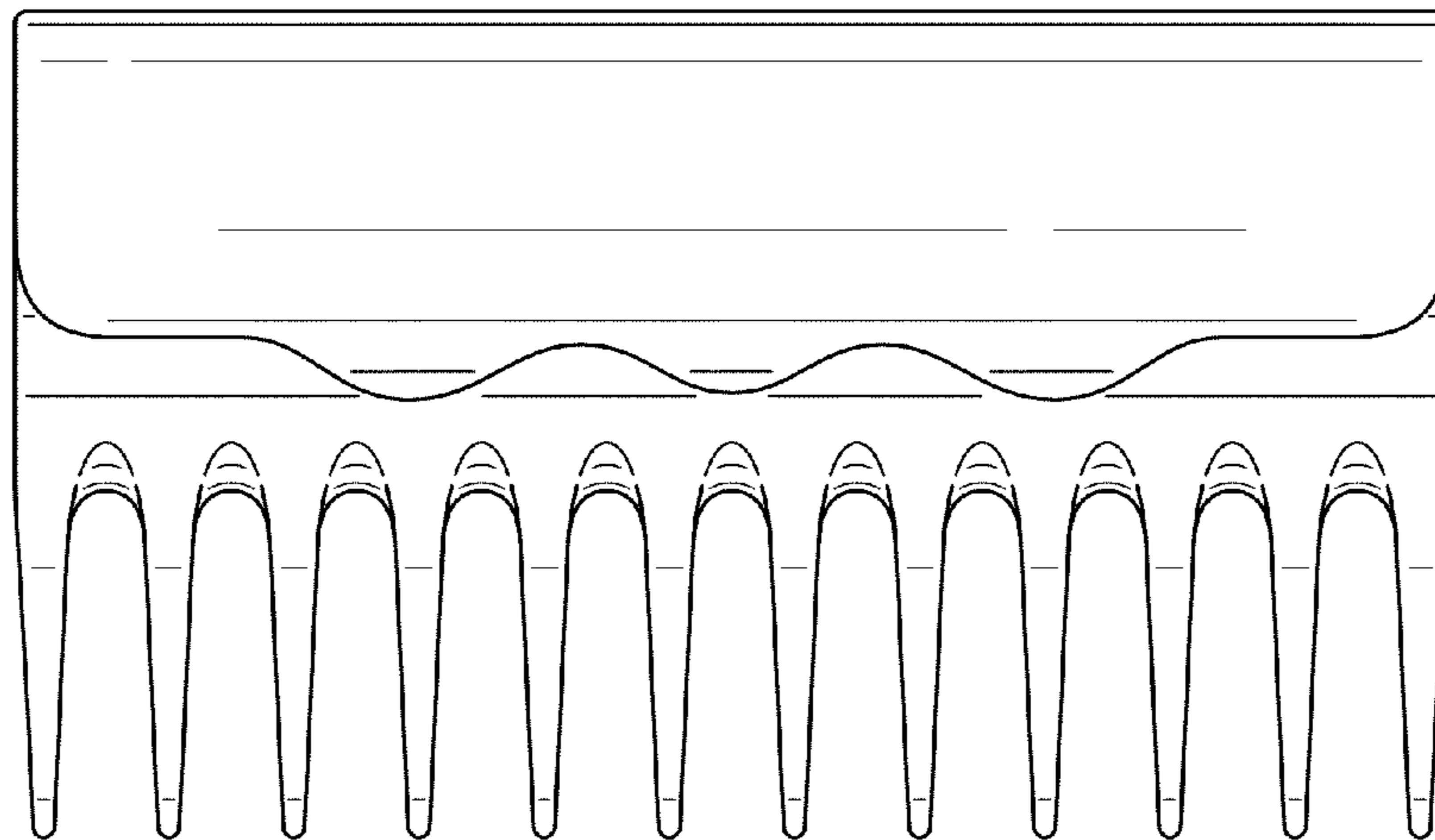


FIG. 4

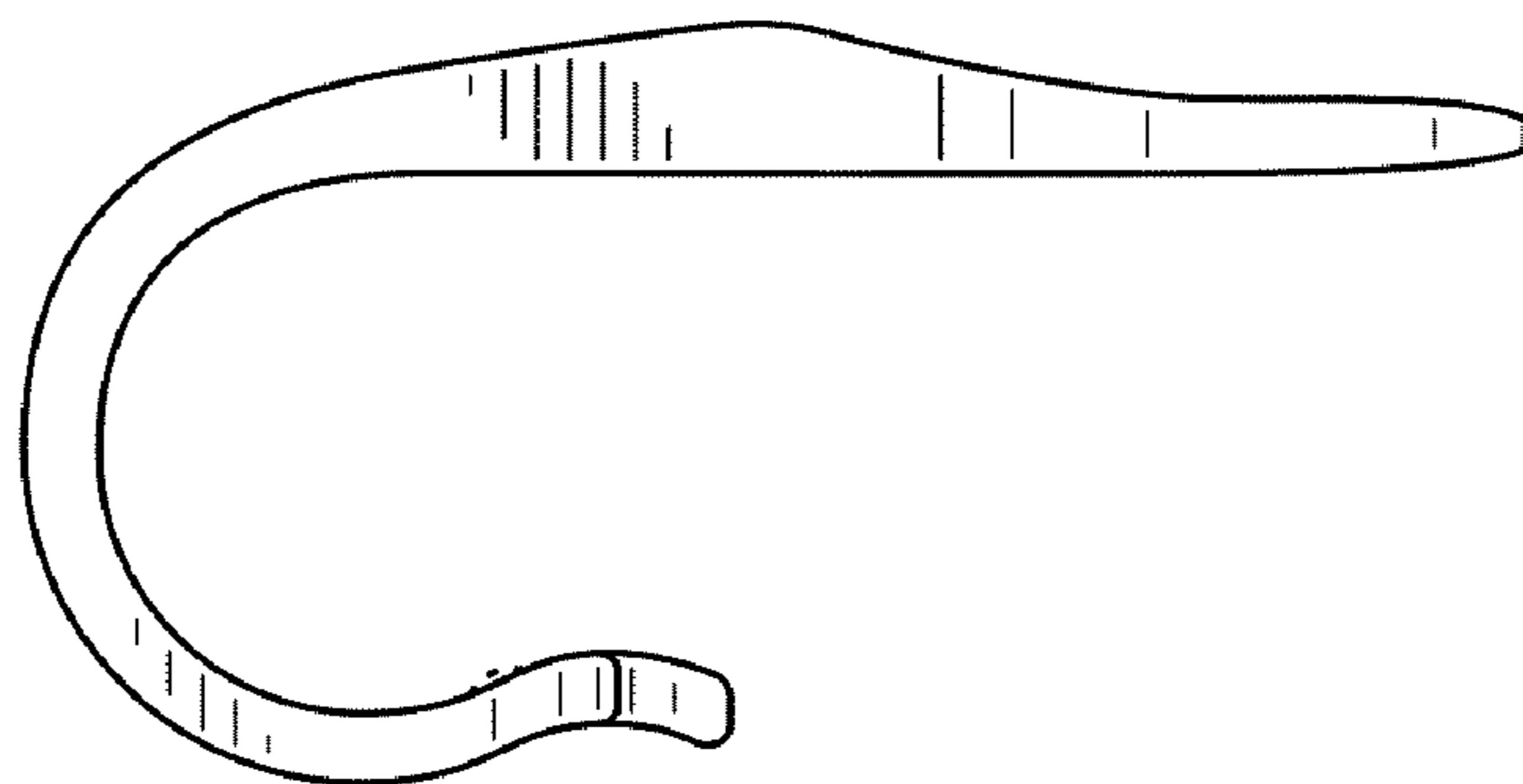


FIG. 5

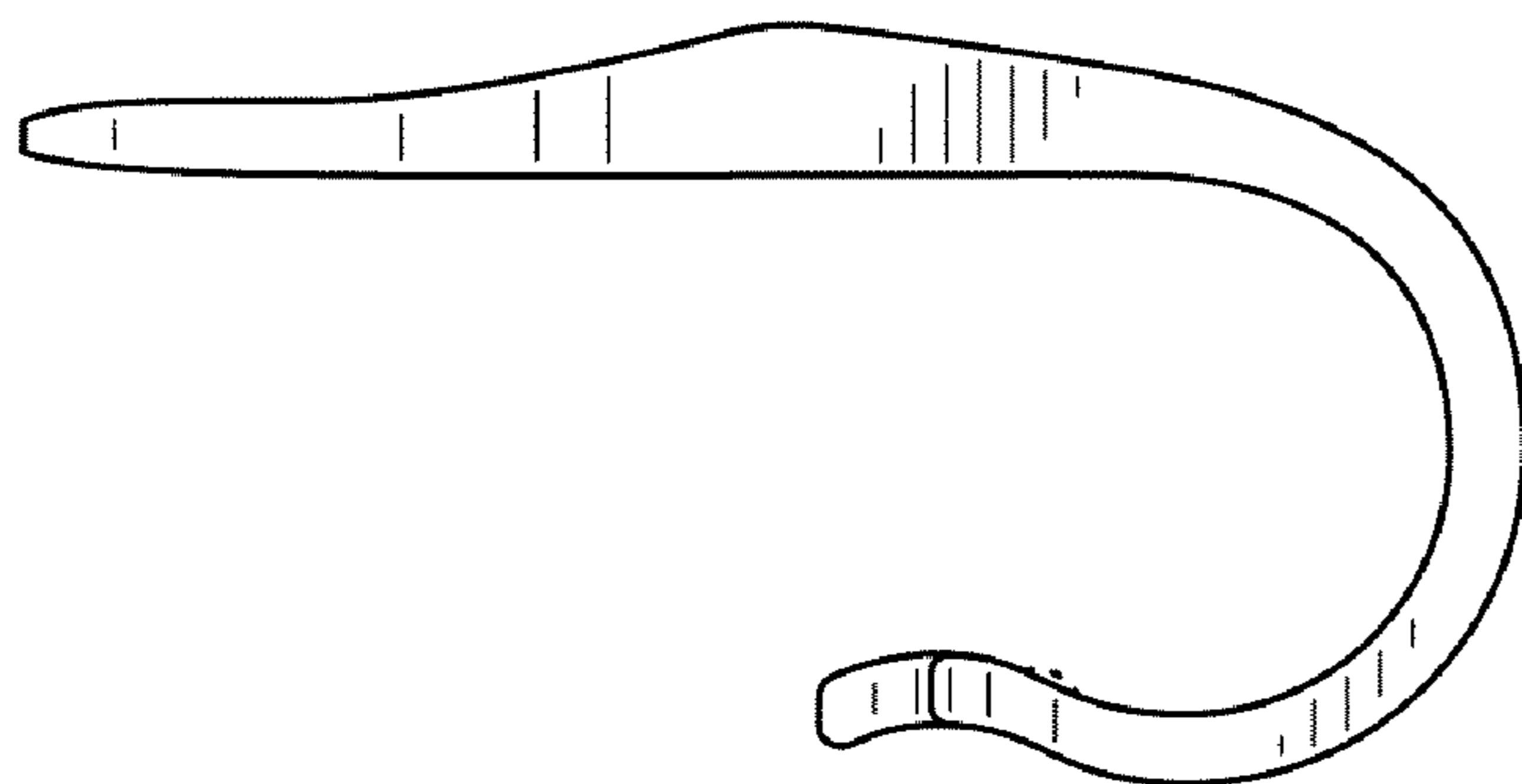


FIG. 6

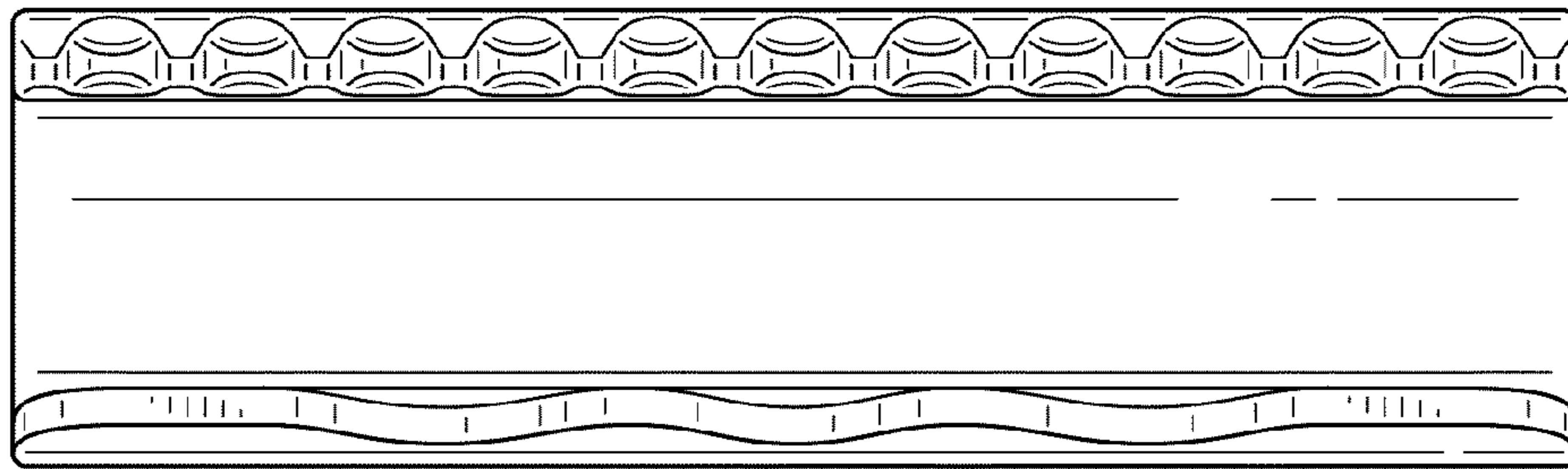


FIG. 7

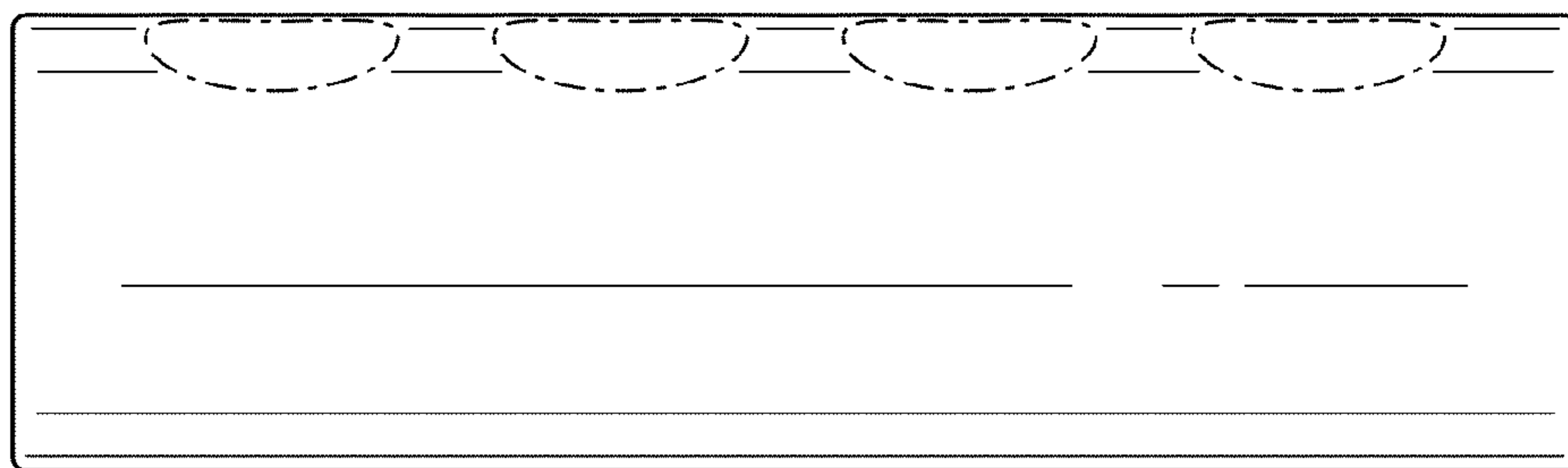


FIG. 8