



US00D646431S

(12) **United States Design Patent**  
**Awty et al.**

(10) **Patent No.:** **US D646,431 S**

(45) **Date of Patent:** **\*\* Oct. 4, 2011**

(54) **SMOKING ARTICLE FILTER**

(75) Inventors: **Edward Awty**, London (GB); **Paulo Oliveira**, London (GB)

(73) Assignee: **British American Tobacco (Investments) Limited**, London (GB)

(\*\*) Term: **14 Years**

(21) Appl. No.: **29/335,627**

(22) Filed: **Apr. 17, 2009**

(30) **Foreign Application Priority Data**

Oct. 20, 2008 (WO) ..... DM/070 882  
Apr. 7, 2009 (WO) ..... DM/071 693

(51) **LOC (9) Cl.** ..... **27-99**

(52) **U.S. Cl.** ..... **D27/194; D27/101**

(58) **Field of Classification Search** ..... D27/100,  
D27/101, 194; 131/280, 88, 329, 330, 202,  
131/215.1-215.3

See application file for complete search history.

(56) **References Cited**

**U.S. PATENT DOCUMENTS**

3,288,145	A *	11/1966	Rosenthal	.....	131/349
D223,879	S *	6/1972	Chernack	.....	D27/194
D229,790	S *	1/1974	Berger	.....	D27/101
5,067,500	A *	11/1991	Keritsis	.....	131/335
D334,631	S *	4/1993	Jones	.....	D27/194
5,345,951	A *	9/1994	Serrano et al.	.....	131/194
5,396,909	A *	3/1995	Gentry et al.	.....	131/332
5,568,819	A *	10/1996	Gentry et al.	.....	131/342
6,526,986	B1 *	3/2003	Sinclair, Jr.	.....	131/365
D483,148	S *	12/2003	Merideth	.....	D27/170
D589,647	S *	3/2009	Danforth	.....	D27/101
D613,902	S *	4/2010	Kaljura	.....	D27/101
D623,351	S *	9/2010	Kirkeby	.....	D27/101
2006/0130862	A1 *	6/2006	Dittrich et al.	.....	131/364

**OTHER PUBLICATIONS**

Bethlehem Steel Company, "Representative Sections", p. 8, 1937.\*

\* cited by examiner

*Primary Examiner* — Stella Reid

*Assistant Examiner* — Keli L Hill

(74) *Attorney, Agent, or Firm* — Chadbourne & Parke LLP;  
Walter G. Hanchuk

(57) **CLAIM**

The ornamental design for a smoking article filter, as shown and described.

**DESCRIPTION**

FIG. 1 is a front view of a first embodiment of a smoking article filter, embodying our new design;

FIG. 2 is a rear view thereof;

FIG. 3 is a side view thereof;

FIG. 4 is a front and side perspective view thereof;

FIG. 5 is a front view of a second embodiment of a smoking article filter, embodying our new design;

FIG. 6 is a rear view thereof;

FIG. 7 is a side view thereof;

FIG. 8 is a front and side perspective view thereof;

FIG. 9 is a front view of a third embodiment of a smoking article filter, embodying our new design;

FIG. 10 is a rear view thereof;

FIG. 11 is a side view thereof;

FIG. 12 is a front and side perspective view thereof;

FIG. 13 is a front view of a fourth embodiment of a smoking article filter, embodying our new design;

FIG. 14 is a rear view thereof;

FIG. 15 is a side view thereof;

FIG. 16 is a front and side perspective view thereof;

FIG. 17 is a front view of a fifth embodiment of a smoking article filter, embodying our new design;

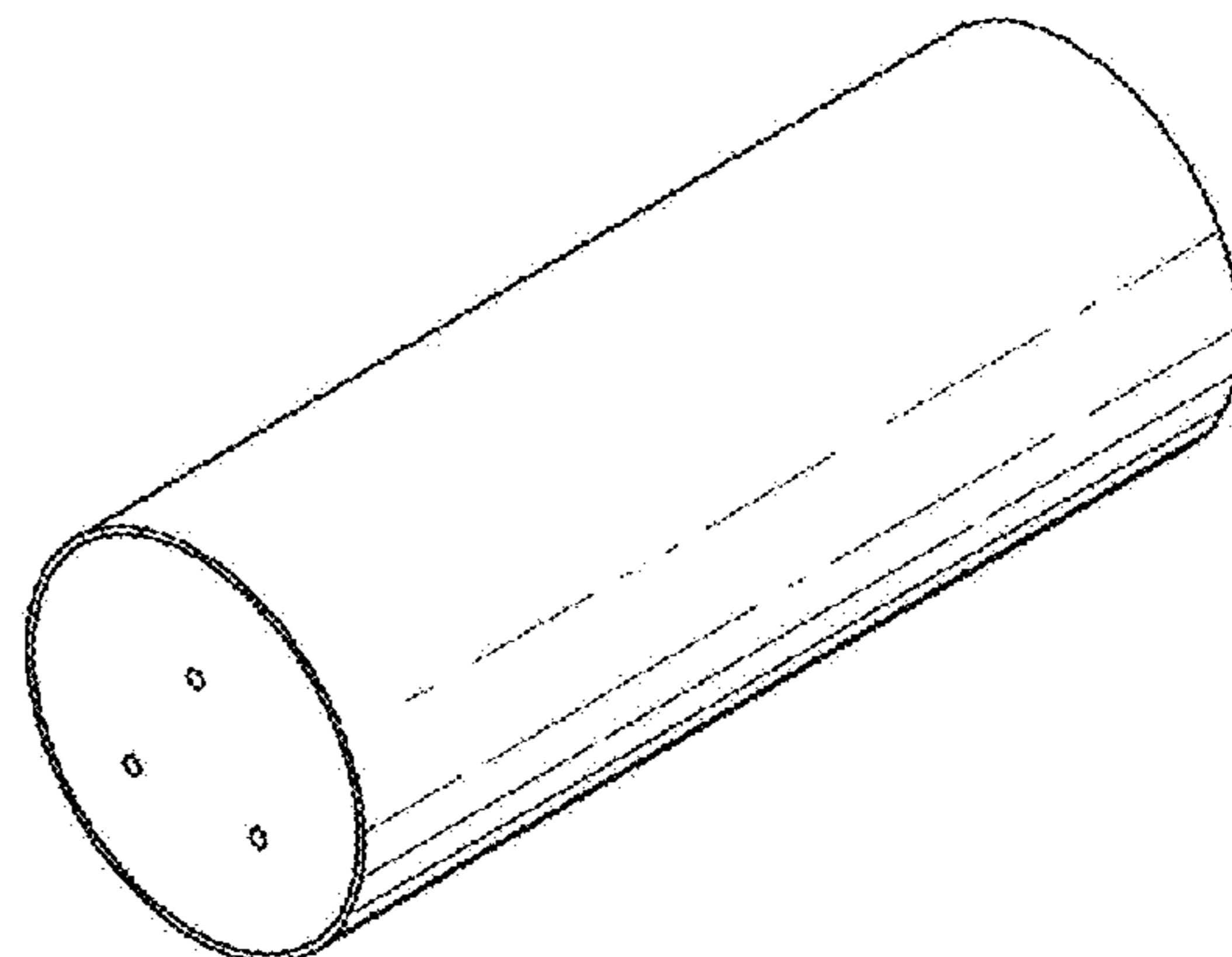
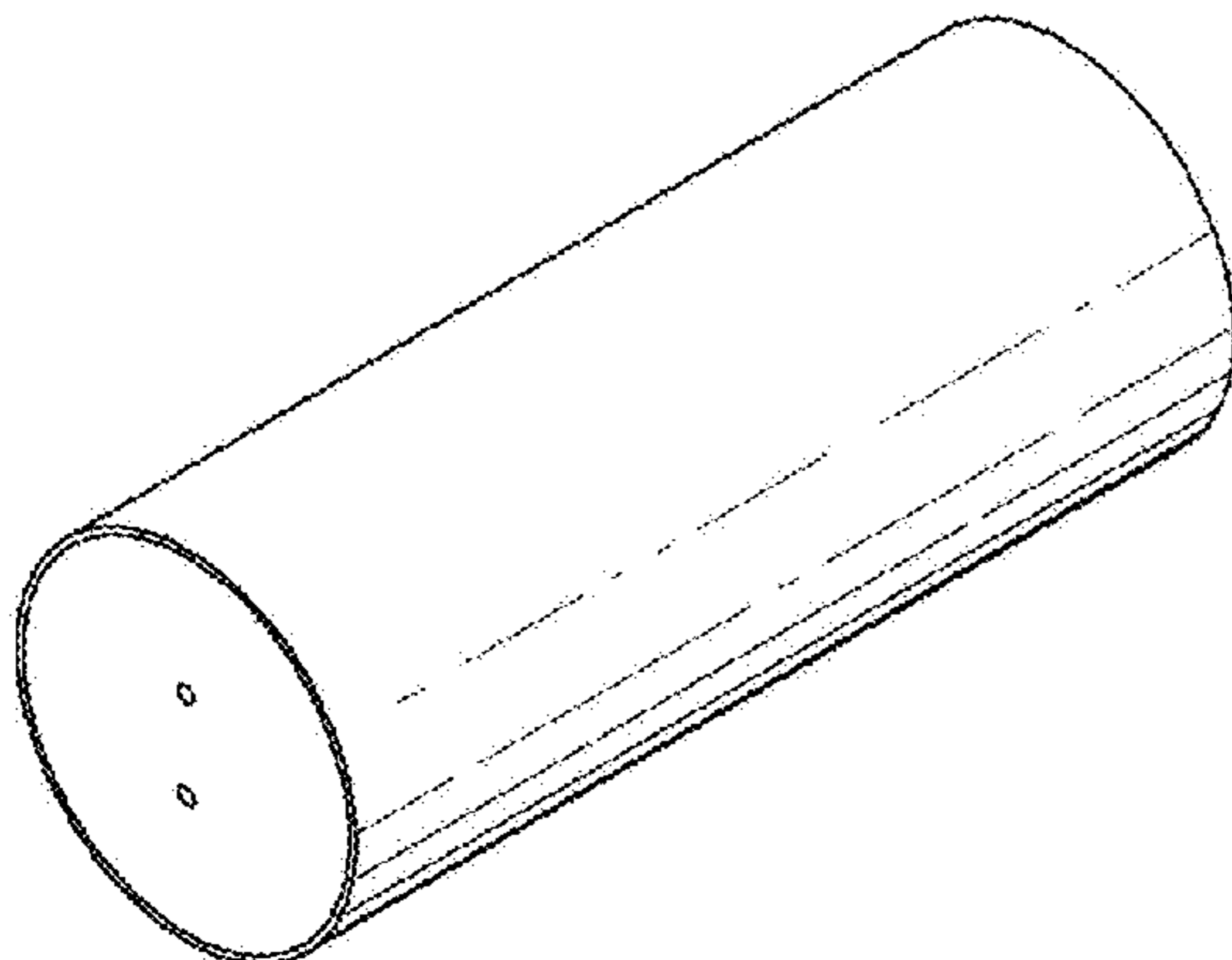
FIG. 18 is a rear view thereof;

FIG. 19 is a side view thereof; and,

FIG. 20 is a front and side perspective view thereof.

The broken lines showing various features on the smoking article filter are for illustration purposes only and form no part of the claimed design.

**1 Claim, 5 Drawing Sheets**



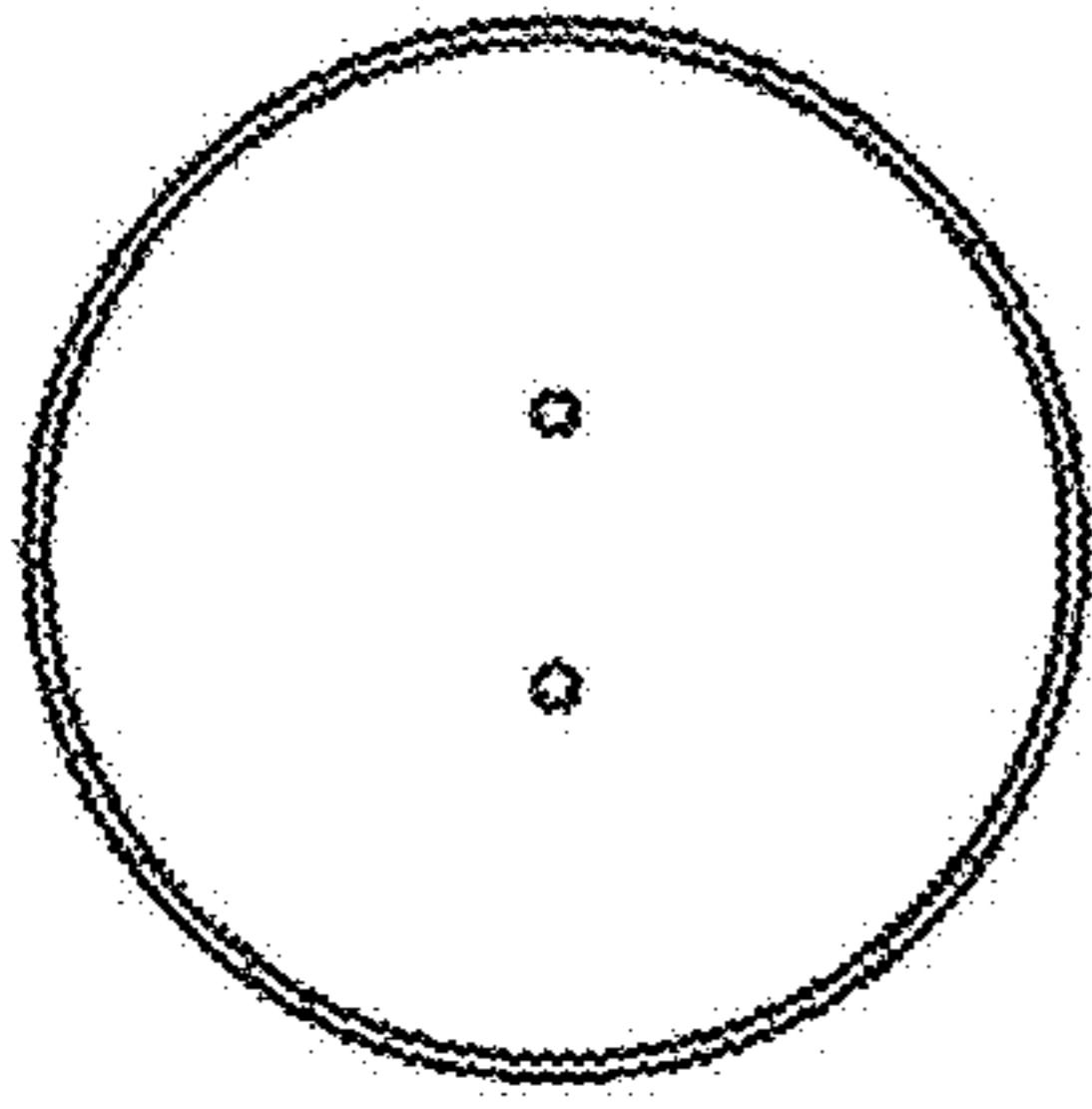


Fig. 1

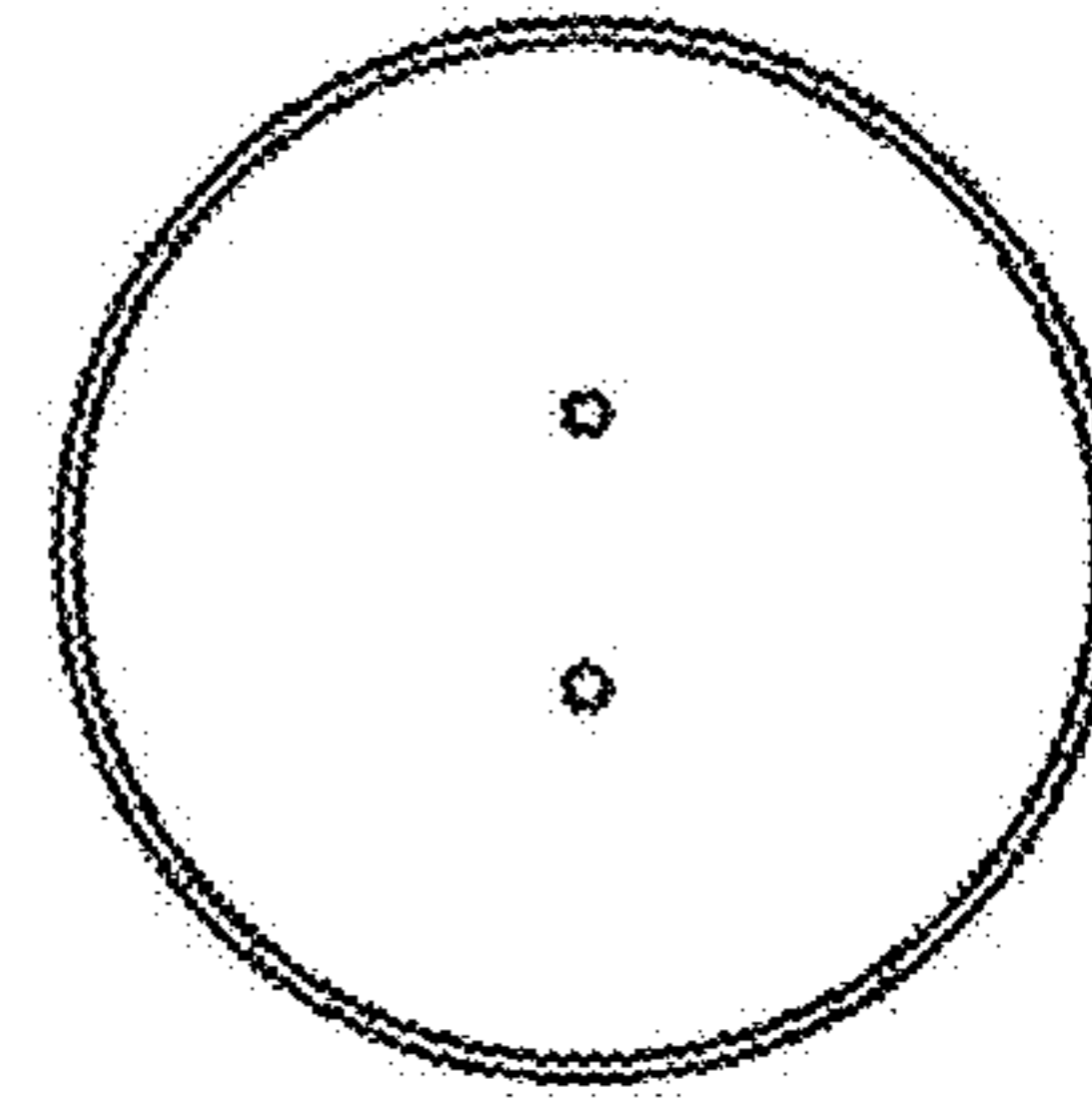


Fig. 2

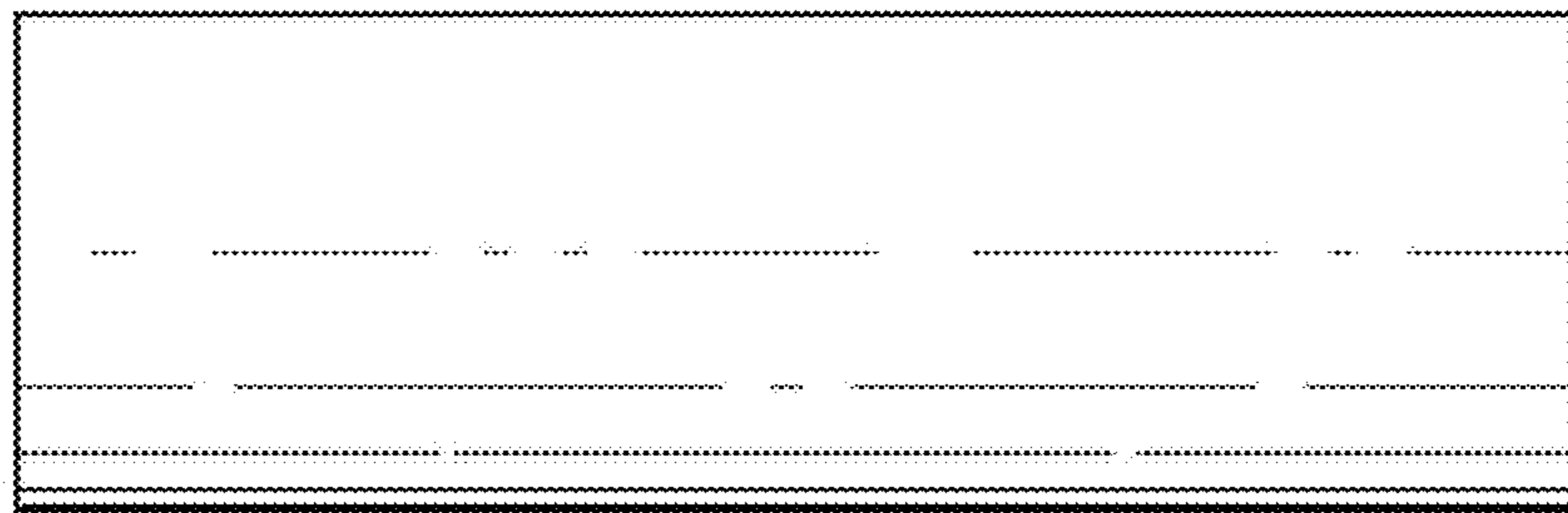


Fig. 3

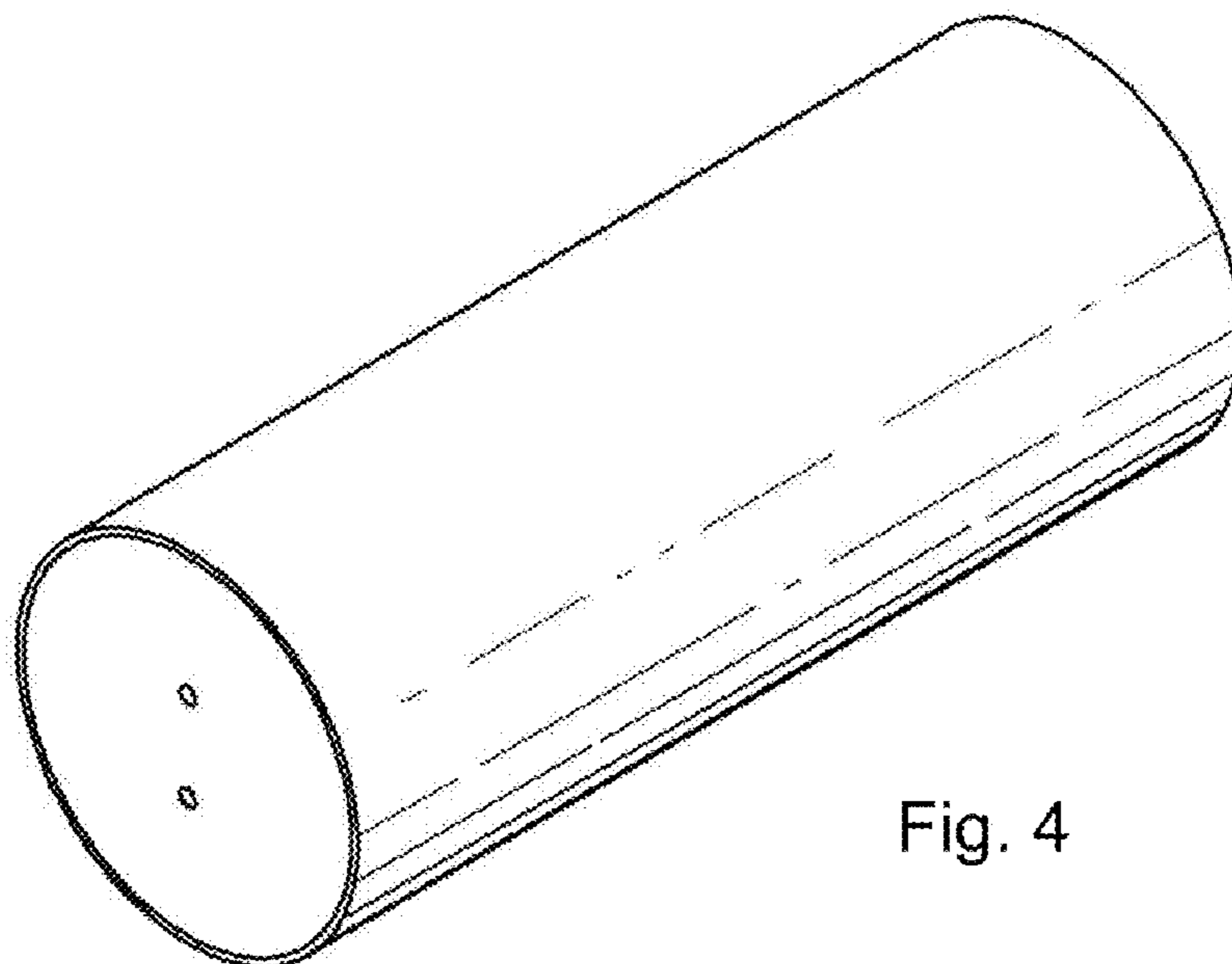


Fig. 4

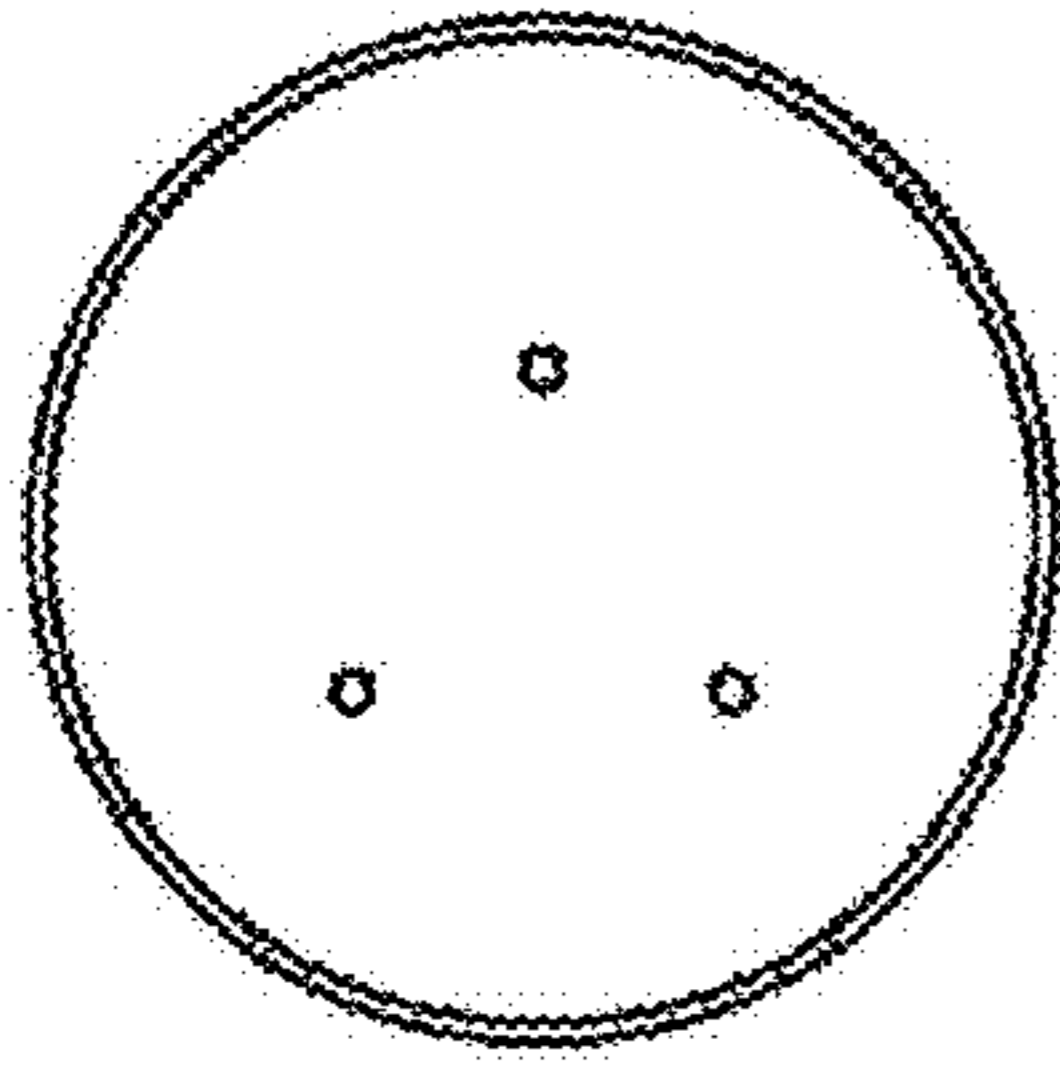


Fig. 5

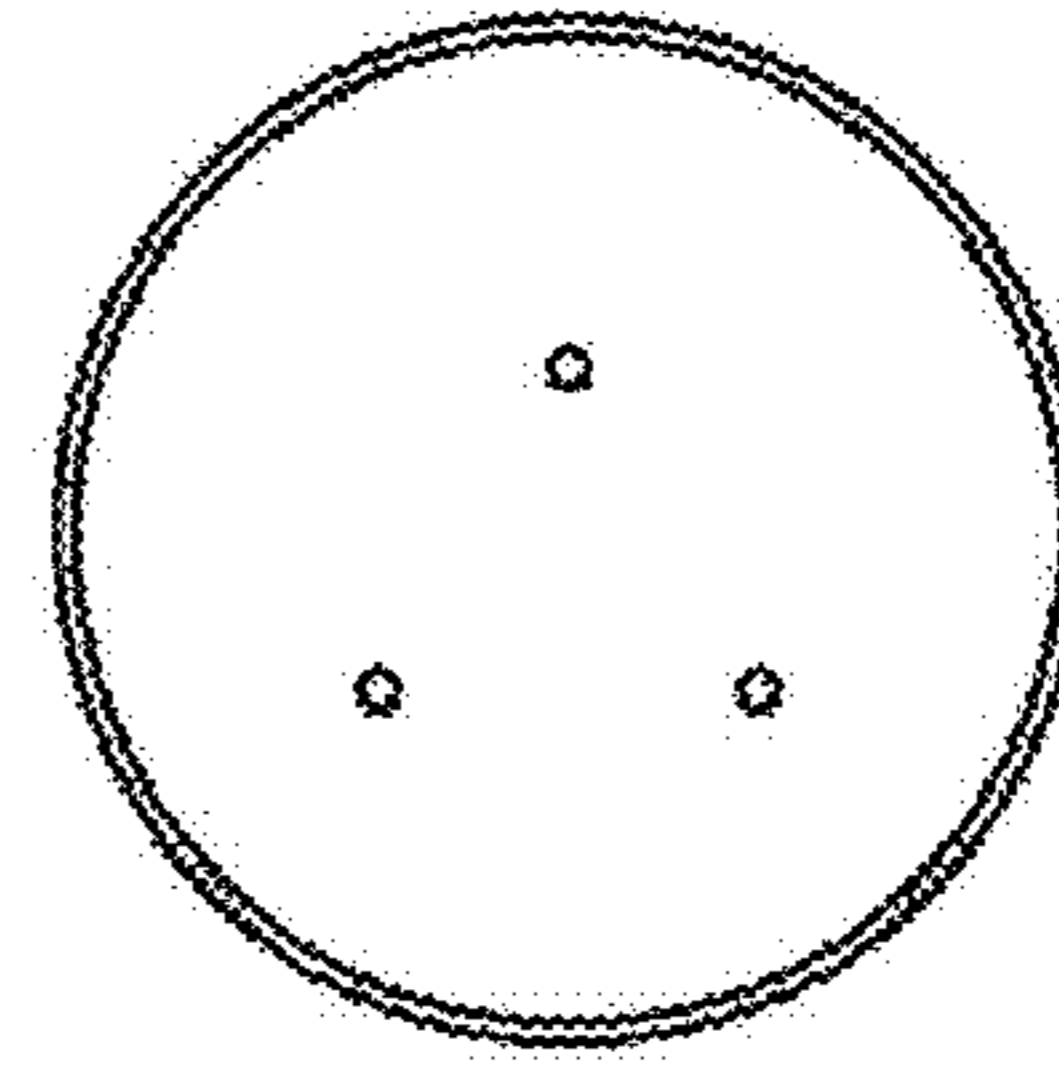


Fig. 6

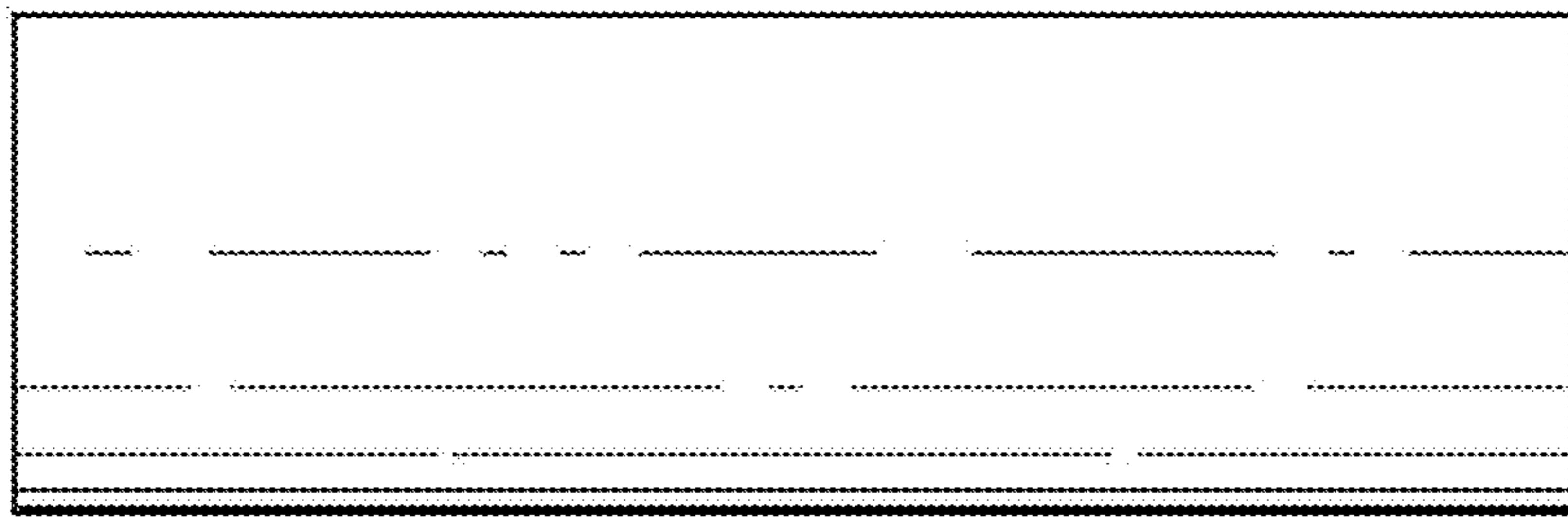


Fig. 7

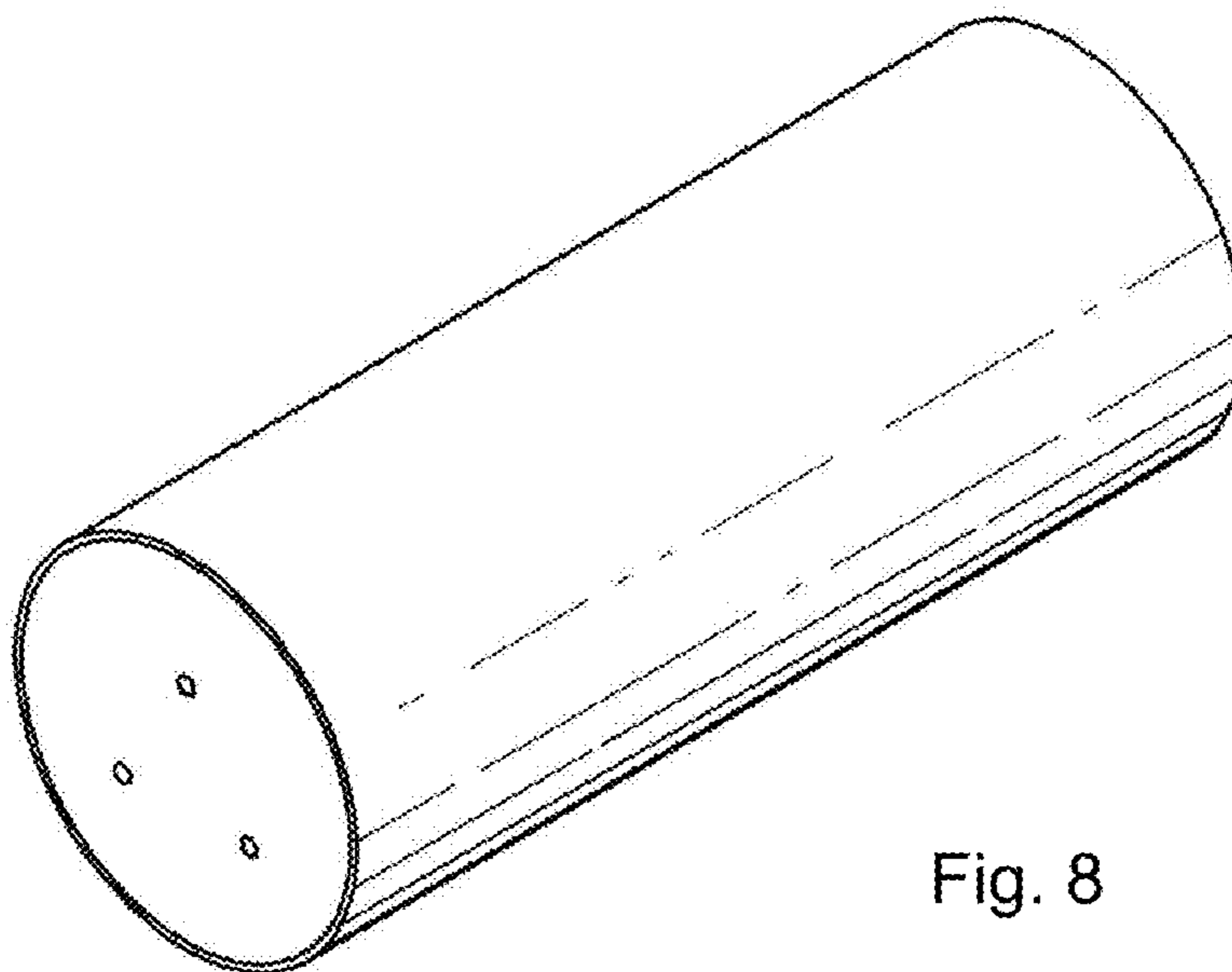


Fig. 8

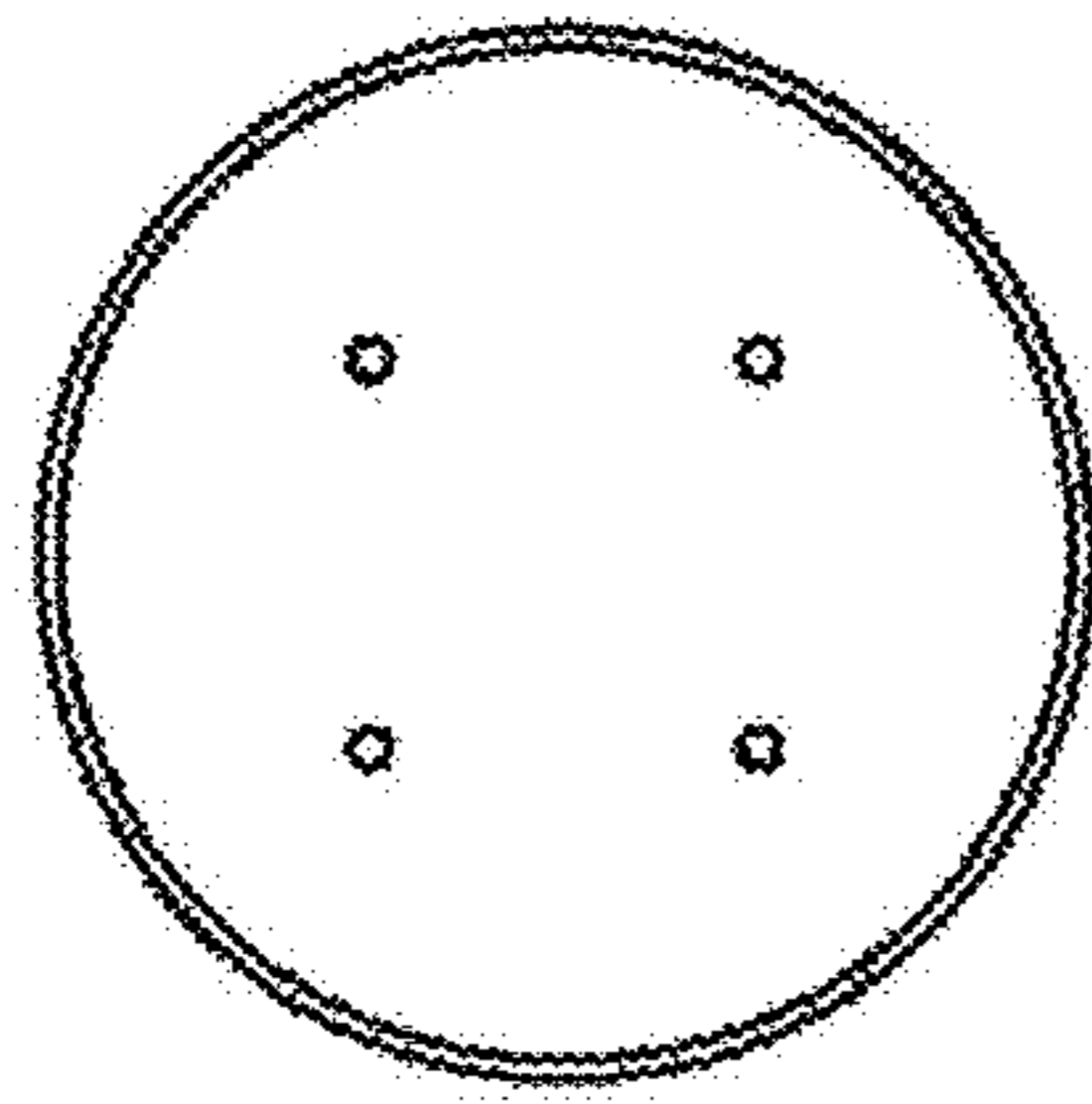


Fig. 9

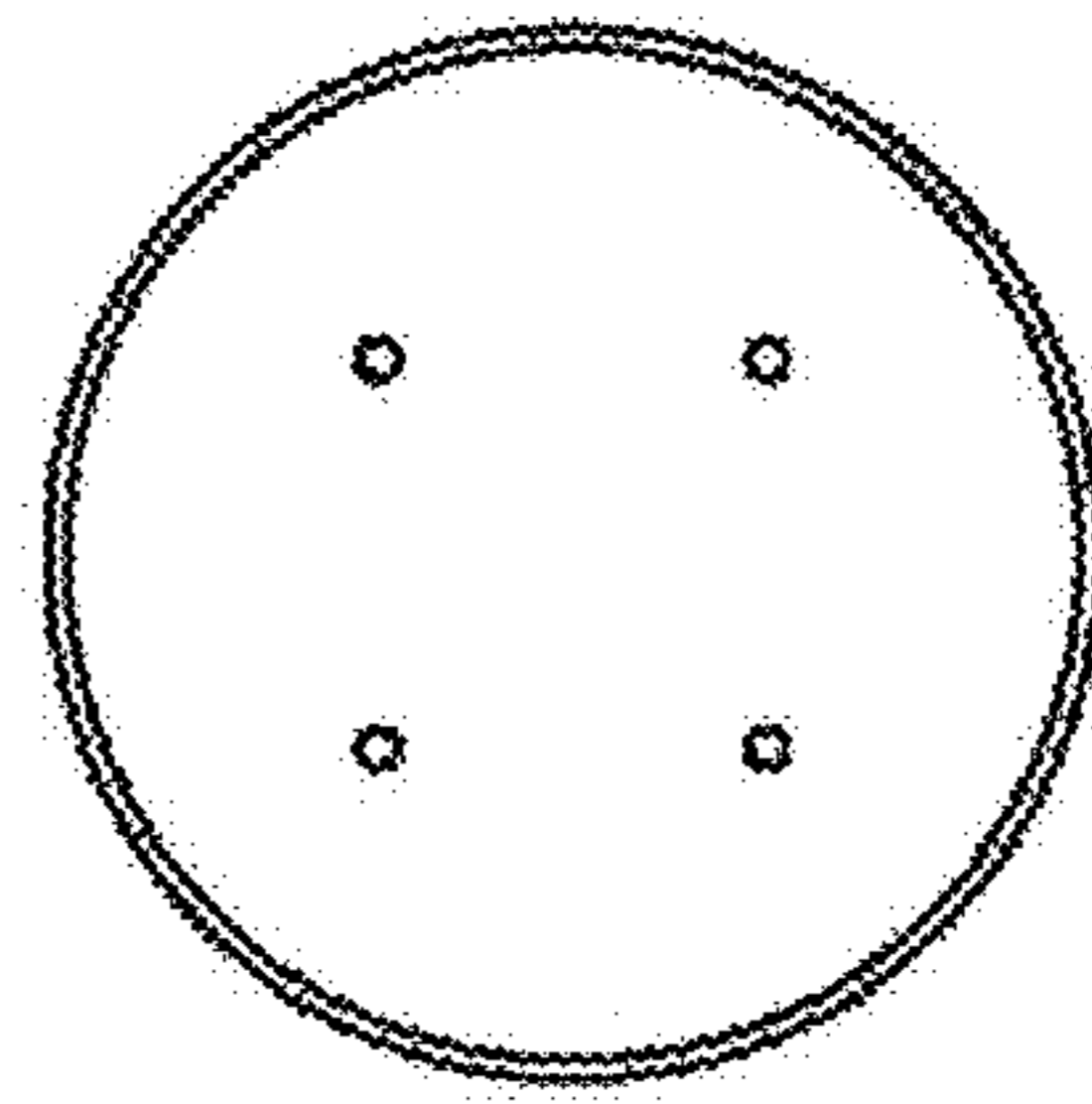


Fig. 10

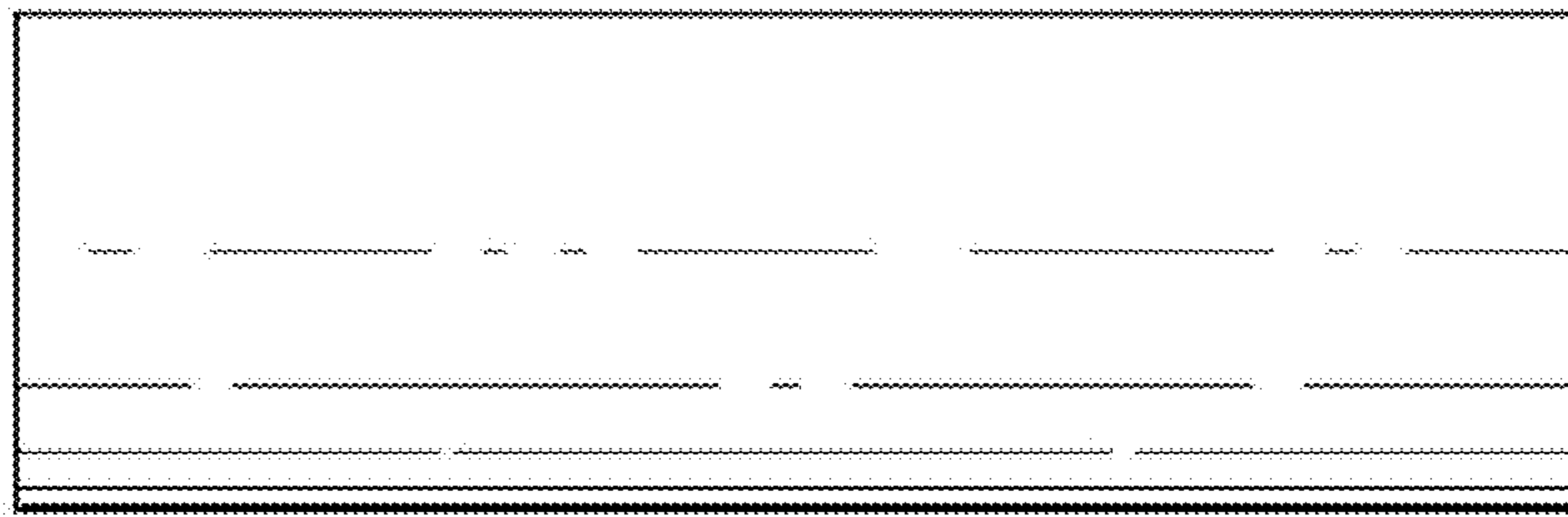


Fig. 11

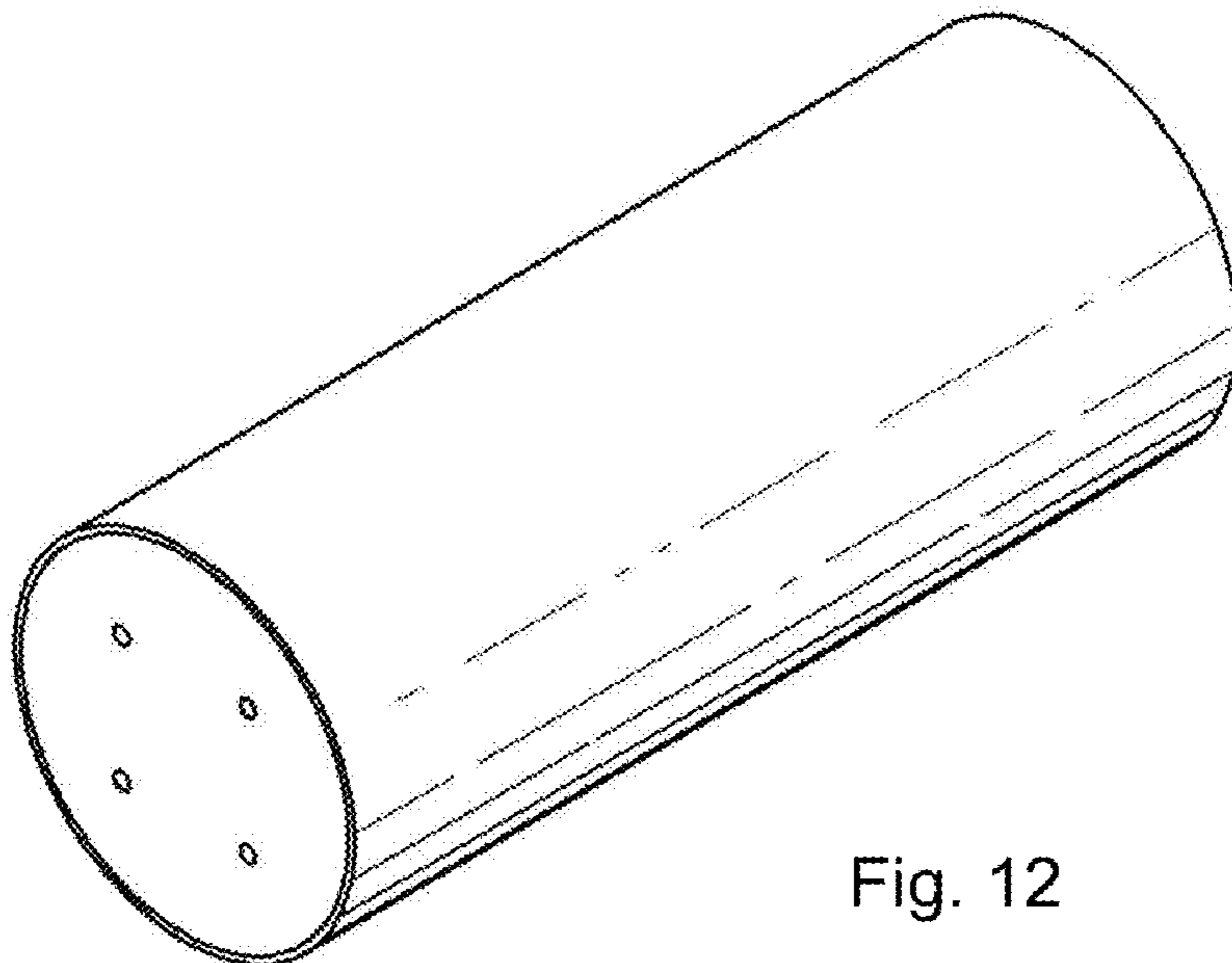


Fig. 12

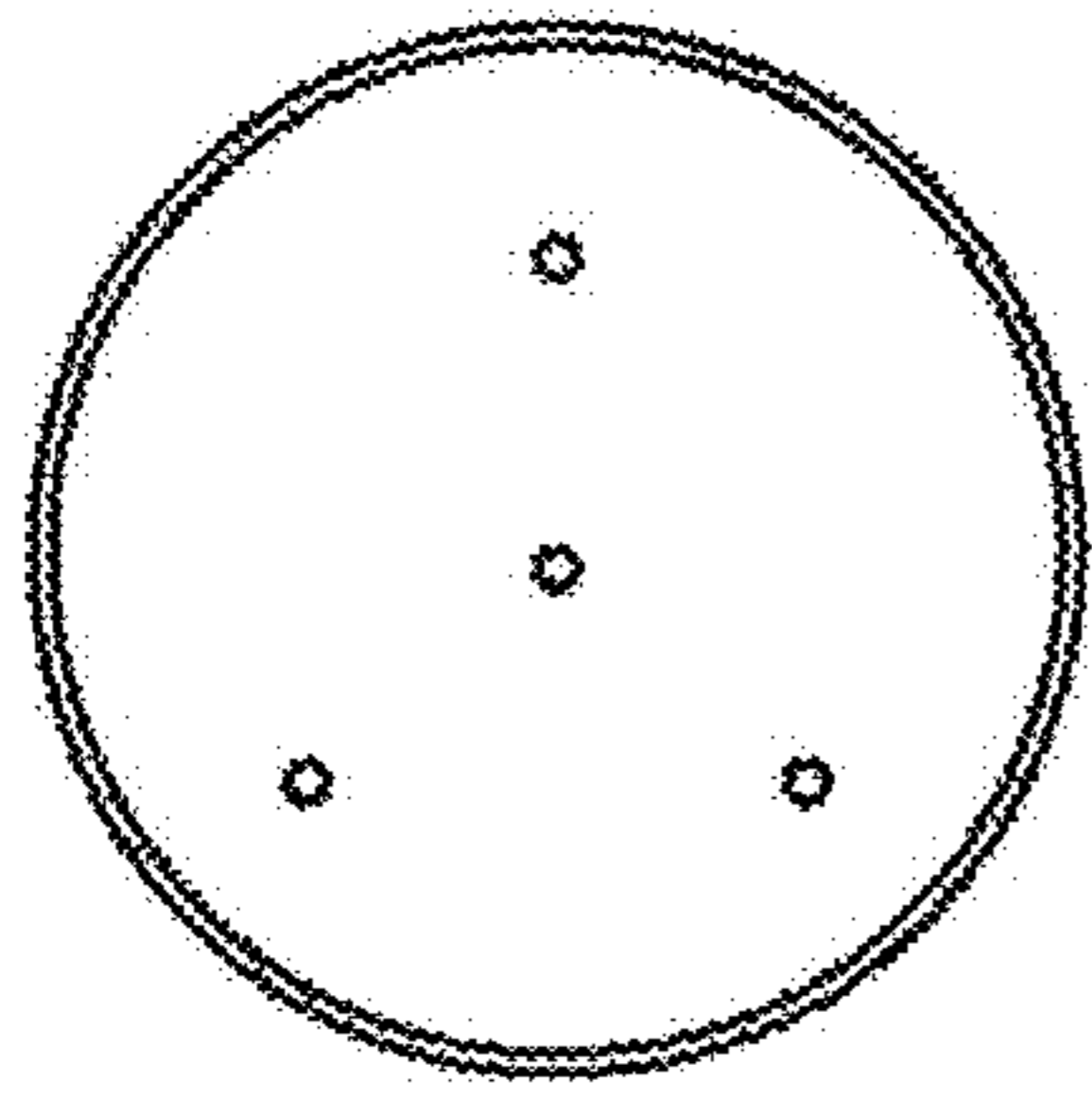


Fig. 13

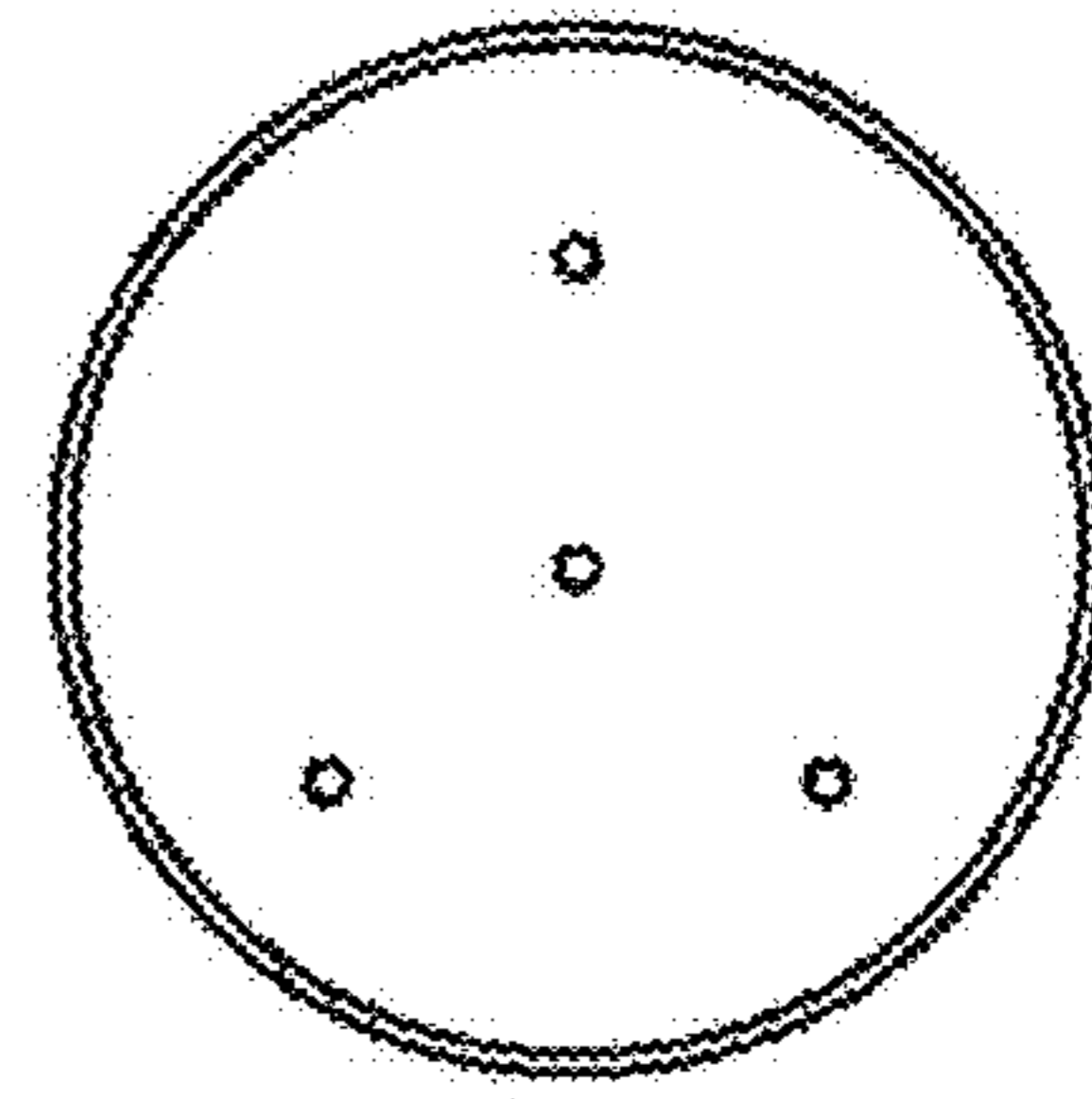


Fig. 14

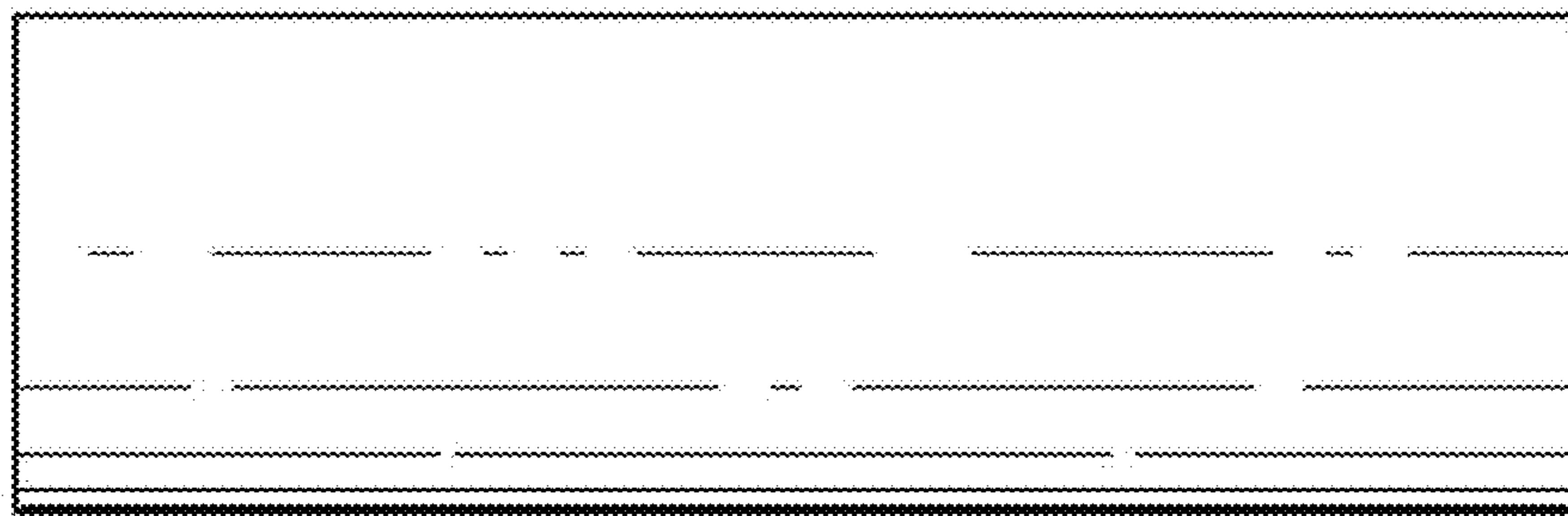


Fig. 15

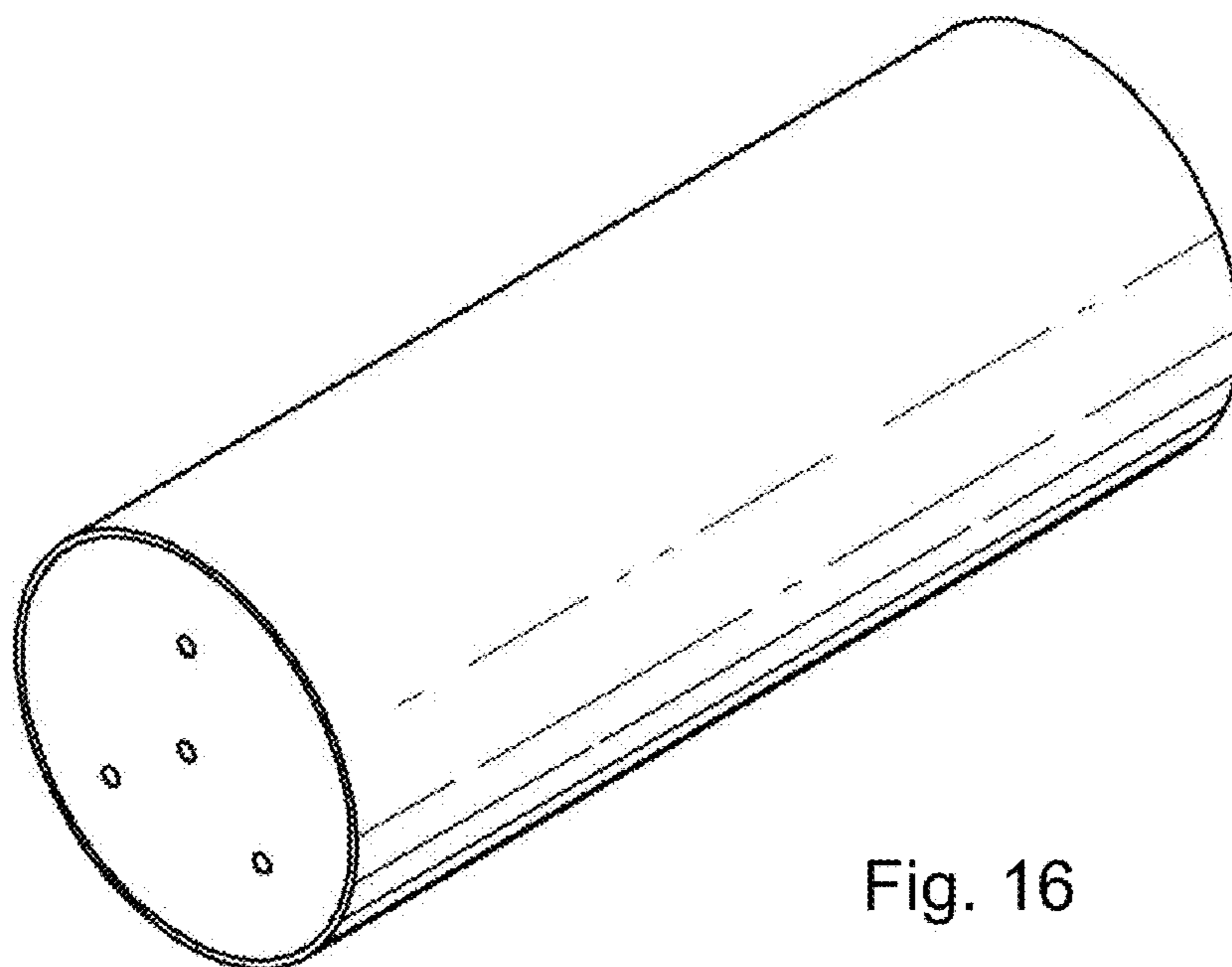


Fig. 16

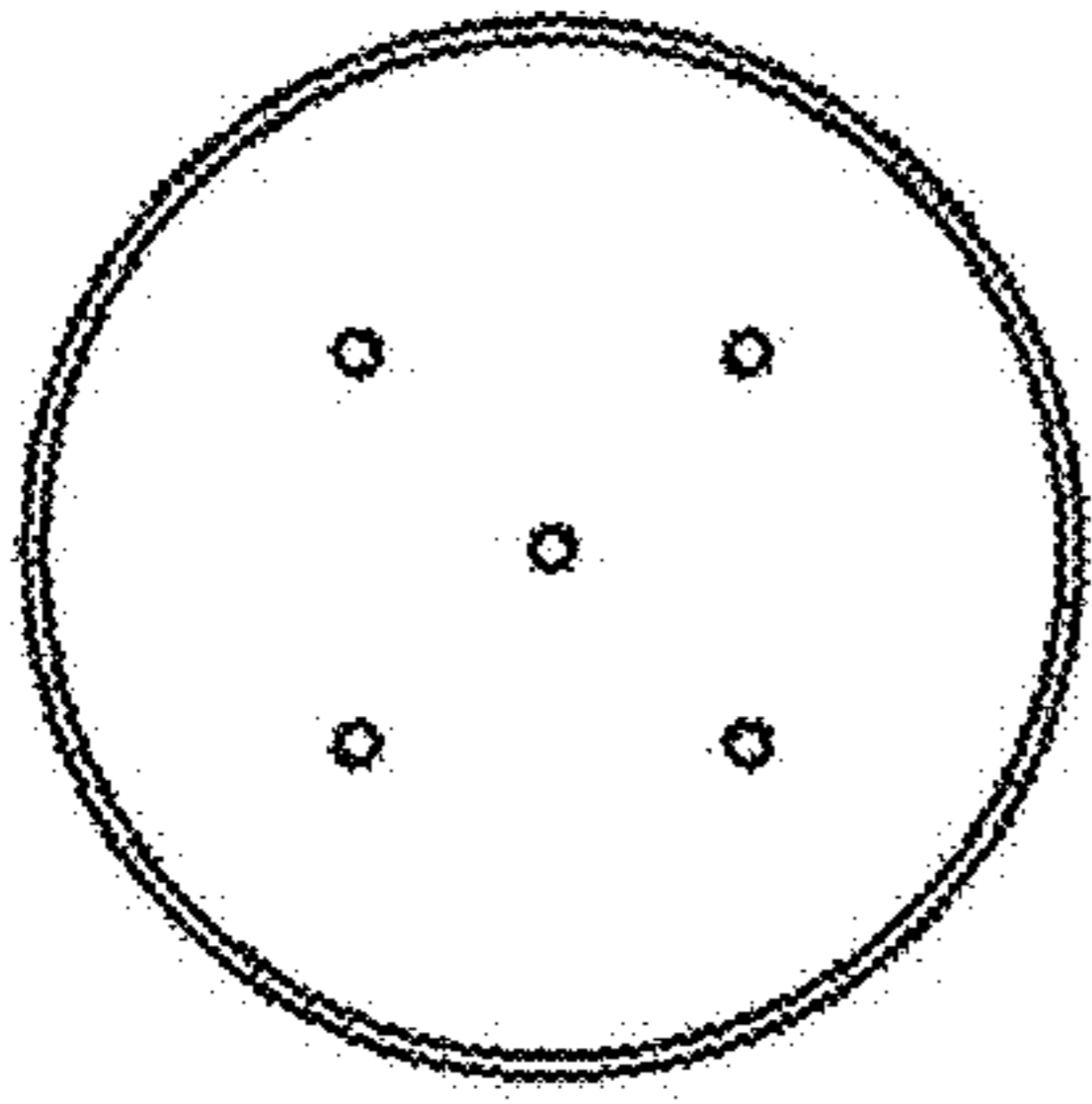


Fig. 17

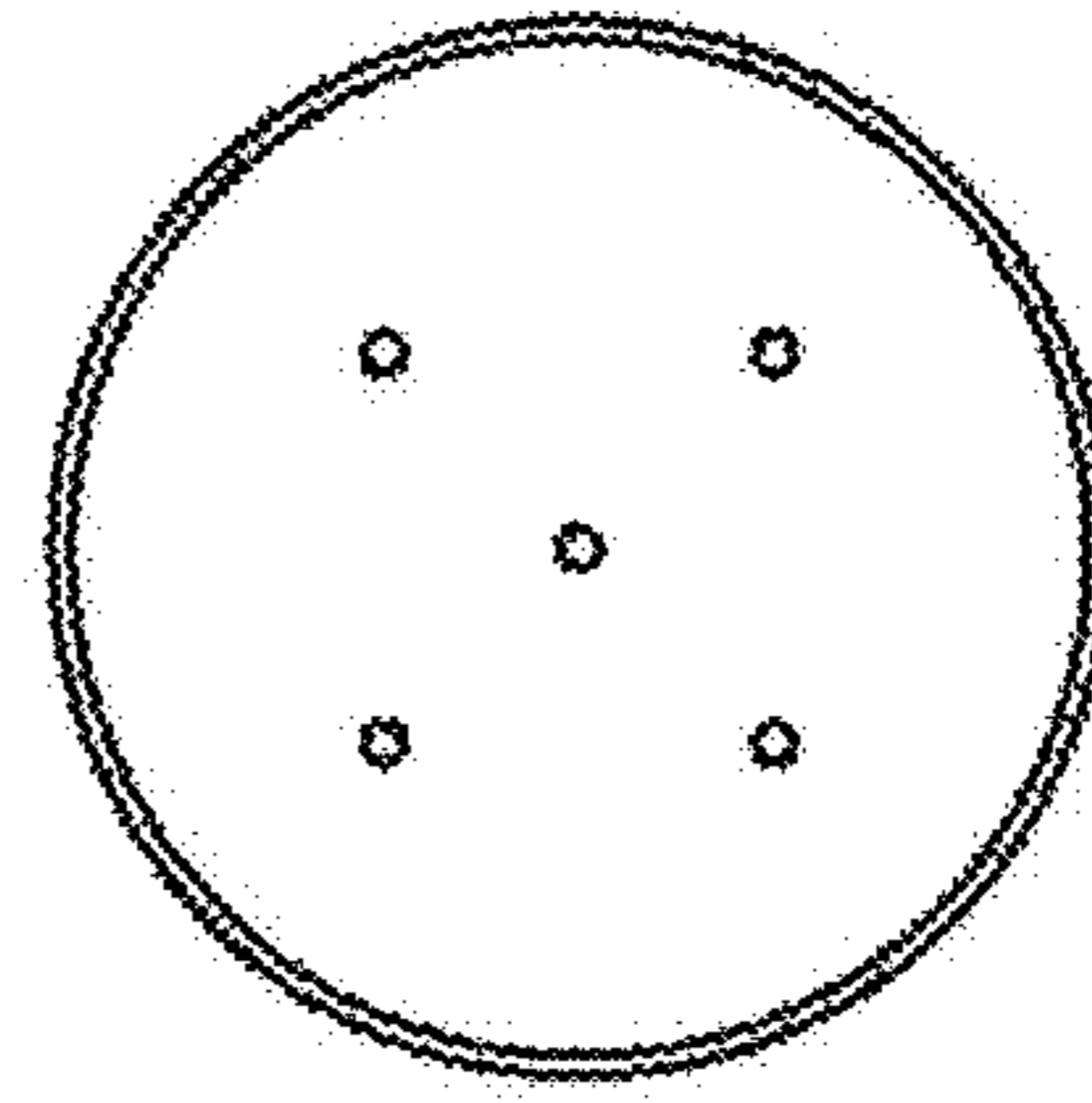


Fig. 18

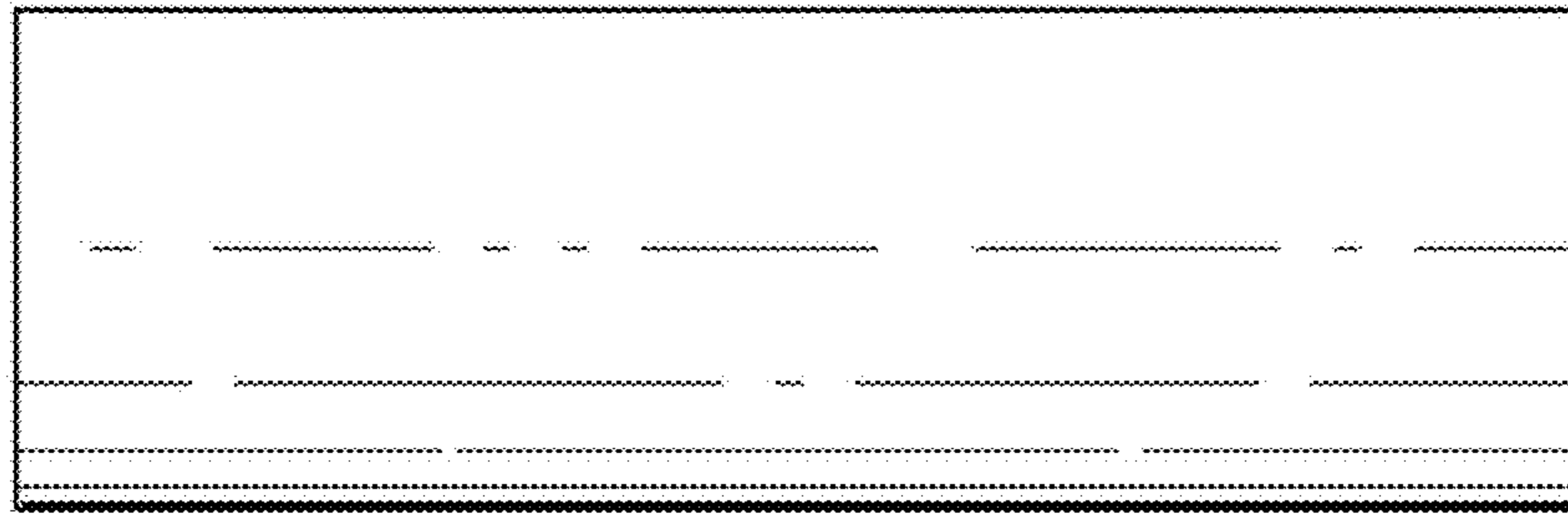


Fig. 19

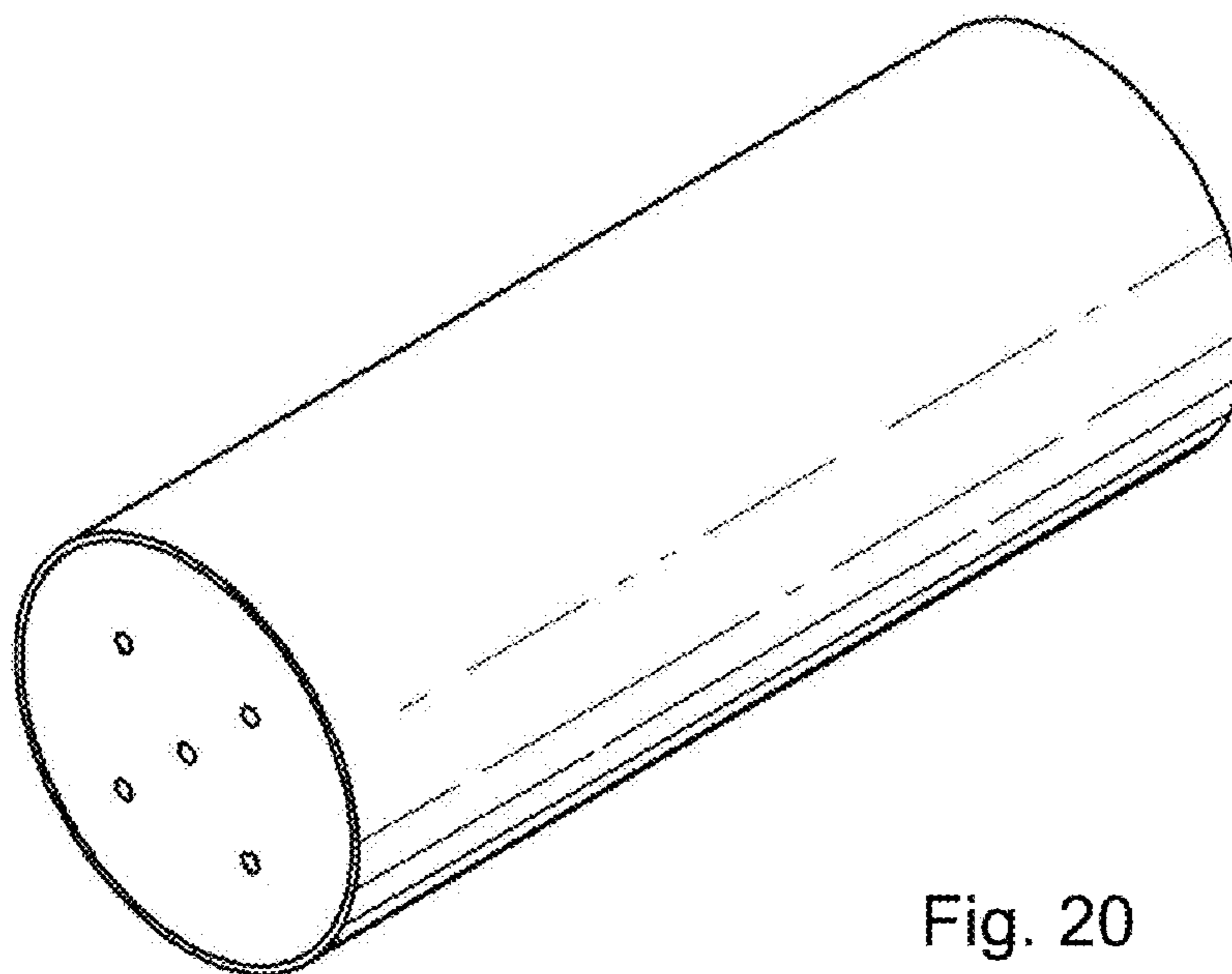


Fig. 20