



US00D646430S

(12) **United States Design Patent**
Gomez Paz et al.

(10) **Patent No.:** **US D646,430 S**

(45) **Date of Patent:** **** Oct. 4, 2011**

(54) **LAMP PART**

(75) Inventors: **Francisco Gomez Paz**, Milan (IT);
Daniele Moioli, Milan (IT)

(73) Assignee: **Artemide S.p.A.**, Milan (IT)

(**) Term: **14 Years**

(21) Appl. No.: **29/327,022**

(22) Filed: **Oct. 29, 2008**

(30) **Foreign Application Priority Data**

Apr. 29, 2008 (EM) 000926316

(51) **LOC (9) Cl.** **26-99**

(52) **U.S. Cl.** **D26/138**

(58) **Field of Classification Search** D26/113,
D26/118, 152, 88, 85, 84, 90, 142, 138, 143,
D26/153, 110, 65, 145, 155, 87, 13, 19, 61,
D26/72, 76, 91, 92, 93, 128, 129, 135, 140,
D26/154; 362/402, 352, 147, 217, 257, 277,
362/285, 287, 317, 351, 355, 356, 370, 371,
362/395, 405, 410, 432

See application file for complete search history.

(56) **References Cited**

U.S. PATENT DOCUMENTS

D302,735	S	*	8/1989	De Lucchi	D26/65
D302,866	S	*	8/1989	De Lucchi	D26/65
D304,624	S	*	11/1989	De Lucchi	D26/65
D310,886	S	*	9/1990	Gismondi et al.	D26/65
D441,476	S	*	5/2001	Mendelsohn et al.	D26/63
D467,378	S	*	12/2002	Wang	D26/65
D471,665	S	*	3/2003	Huang	D26/145
D472,011	S	*	3/2003	Chen	D26/145
D522,681	S	*	6/2006	Chen	D26/65
D527,132	S	*	8/2006	Citterio	D26/65

* cited by examiner

Primary Examiner — Cathron Brooks

Assistant Examiner — Kevin Rudzinski

(74) *Attorney, Agent, or Firm* — Ladas & Parry LLP

(57) **CLAIM**

We claim the ornamental design for a lamp part, as shown and described.

DESCRIPTION

FIG. 1 is a bottom view of a lamp part of our design;

FIG. 2 is a right side view thereof

FIG. 3 is a rear view thereof;

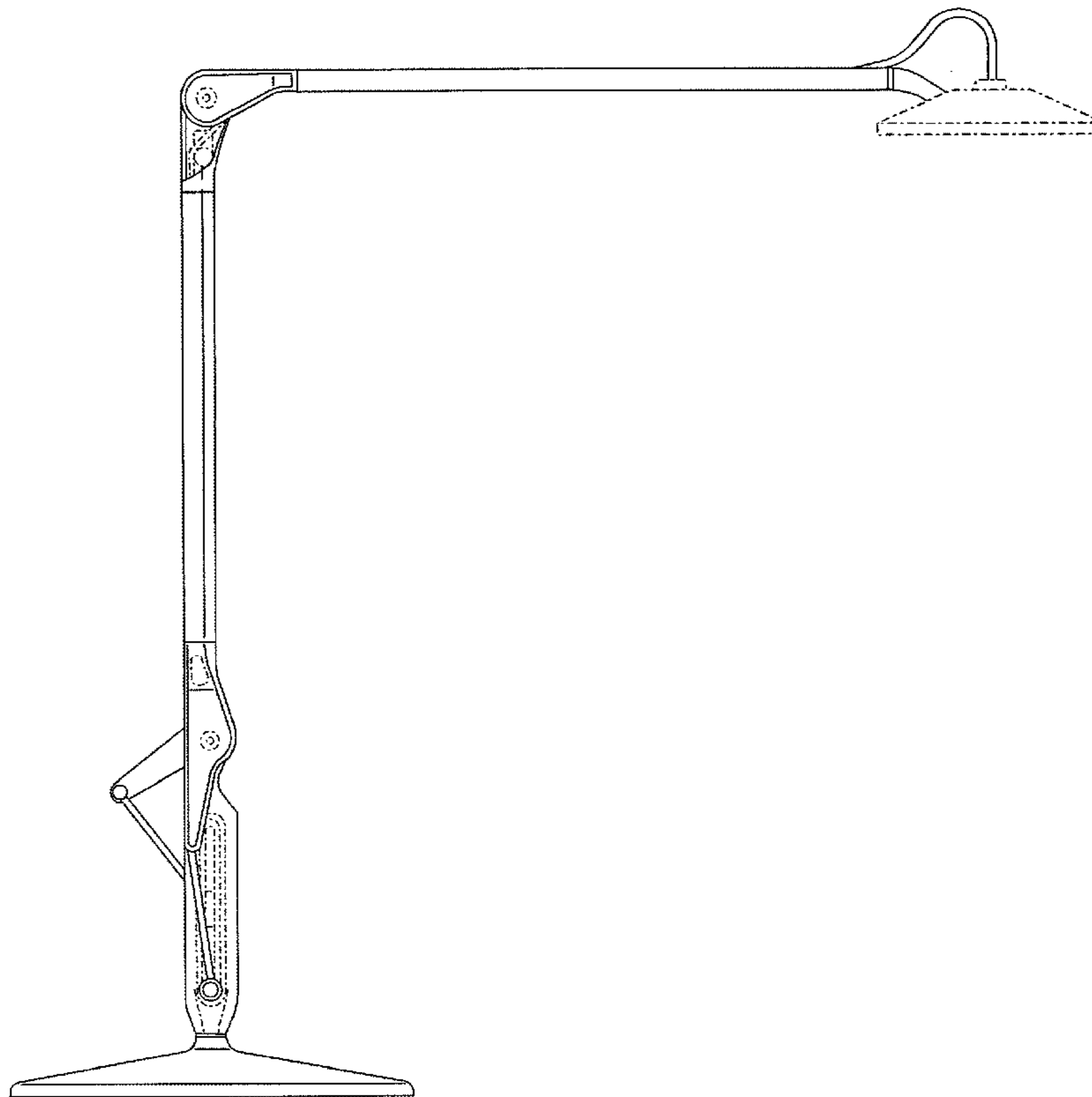
FIG. 4 is a top view thereof;

FIG. 5 is a left side view thereof; and,

FIG. 6 is a front view thereof.

Features shown in broken lines show environmental structure and form no part of the claimed design.

1 Claim, 6 Drawing Sheets



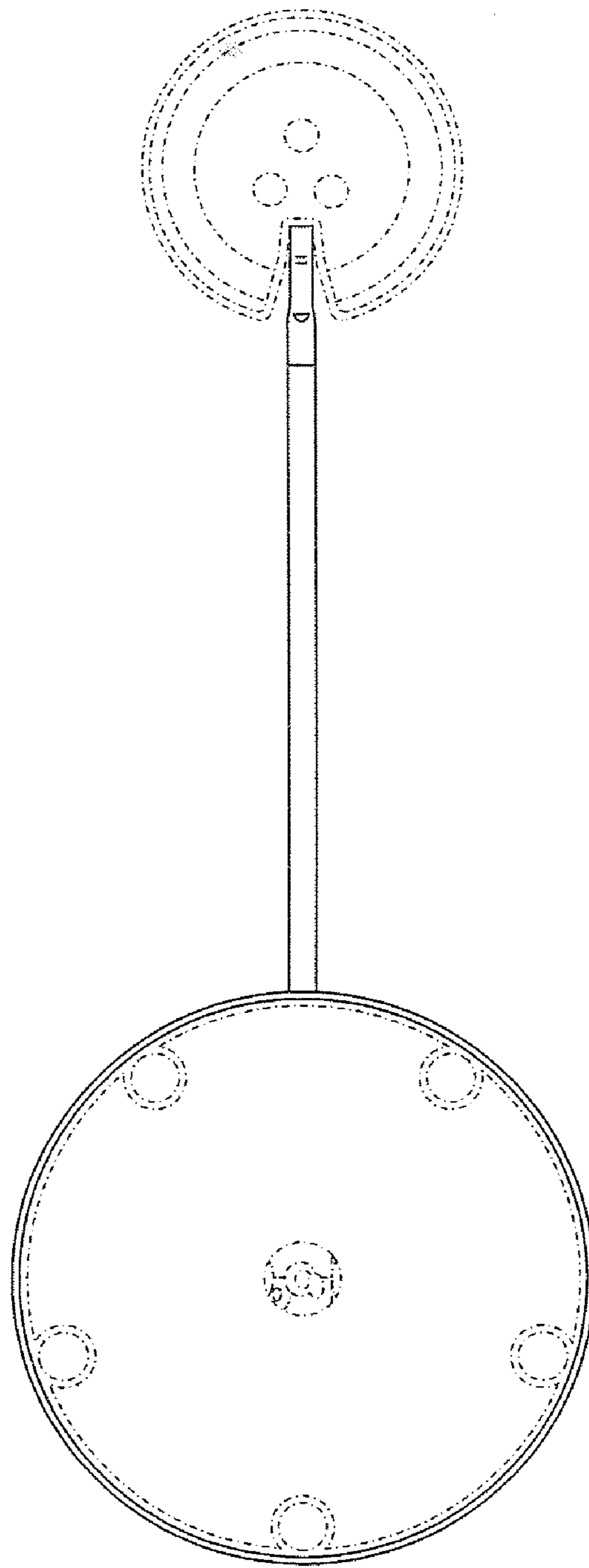


FIG. 1

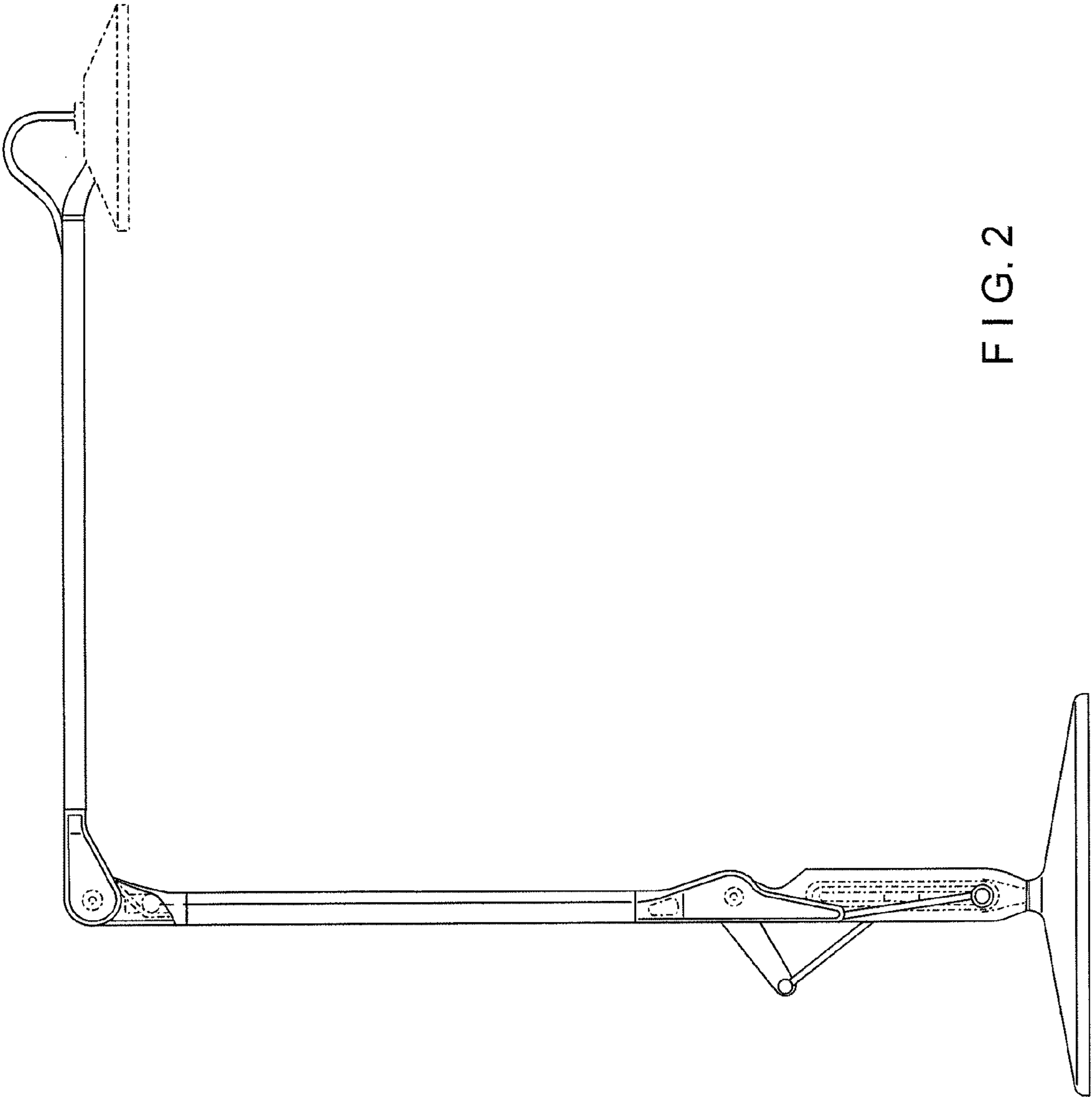


FIG. 2

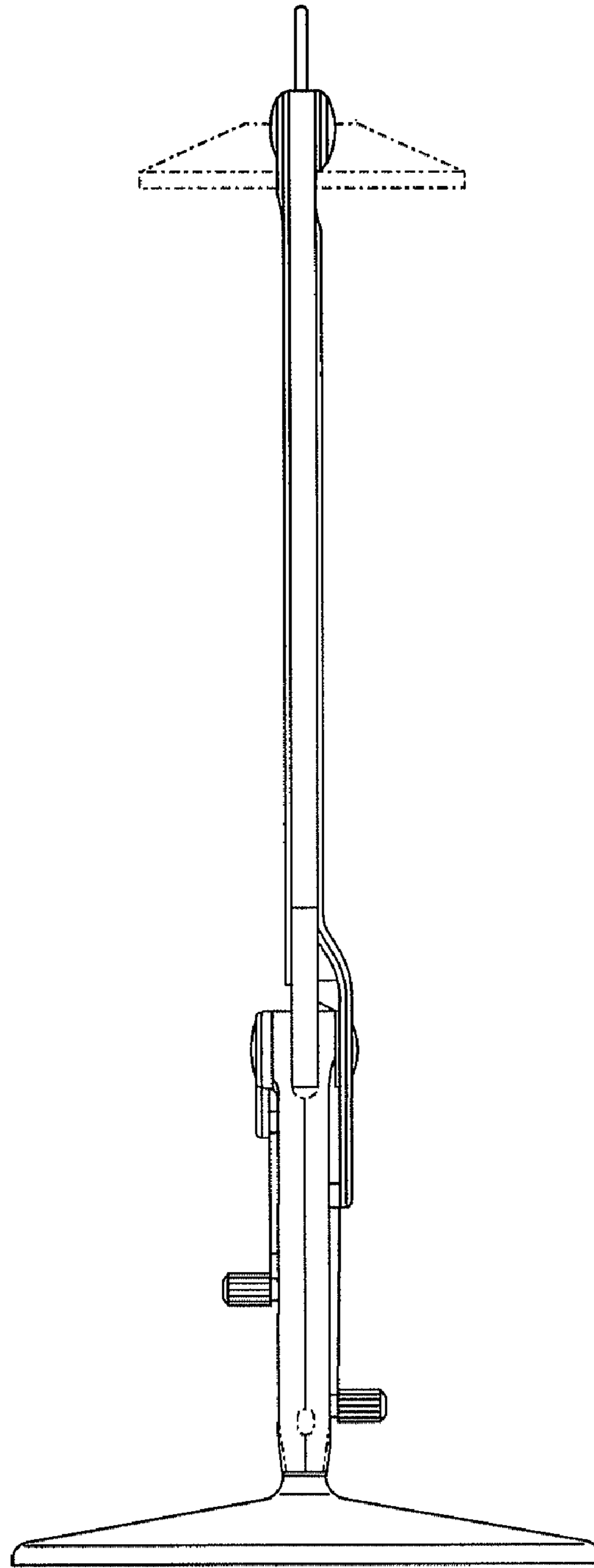


FIG. 3

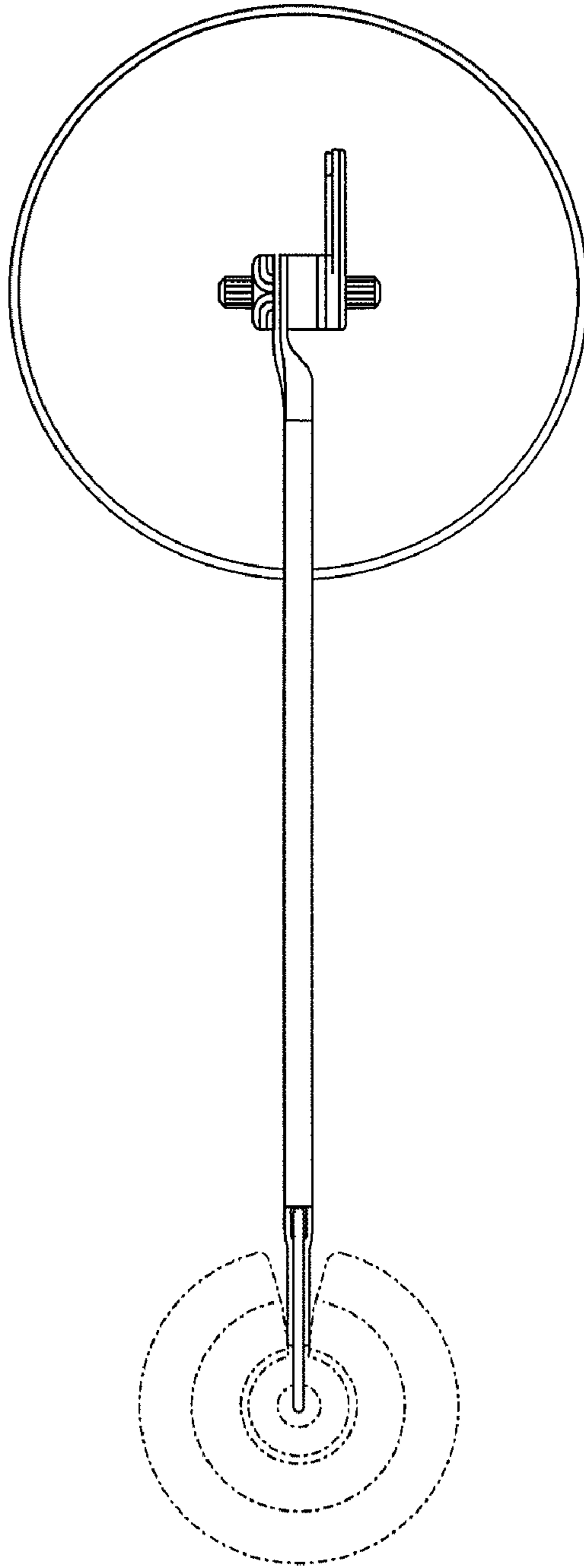


FIG. 4

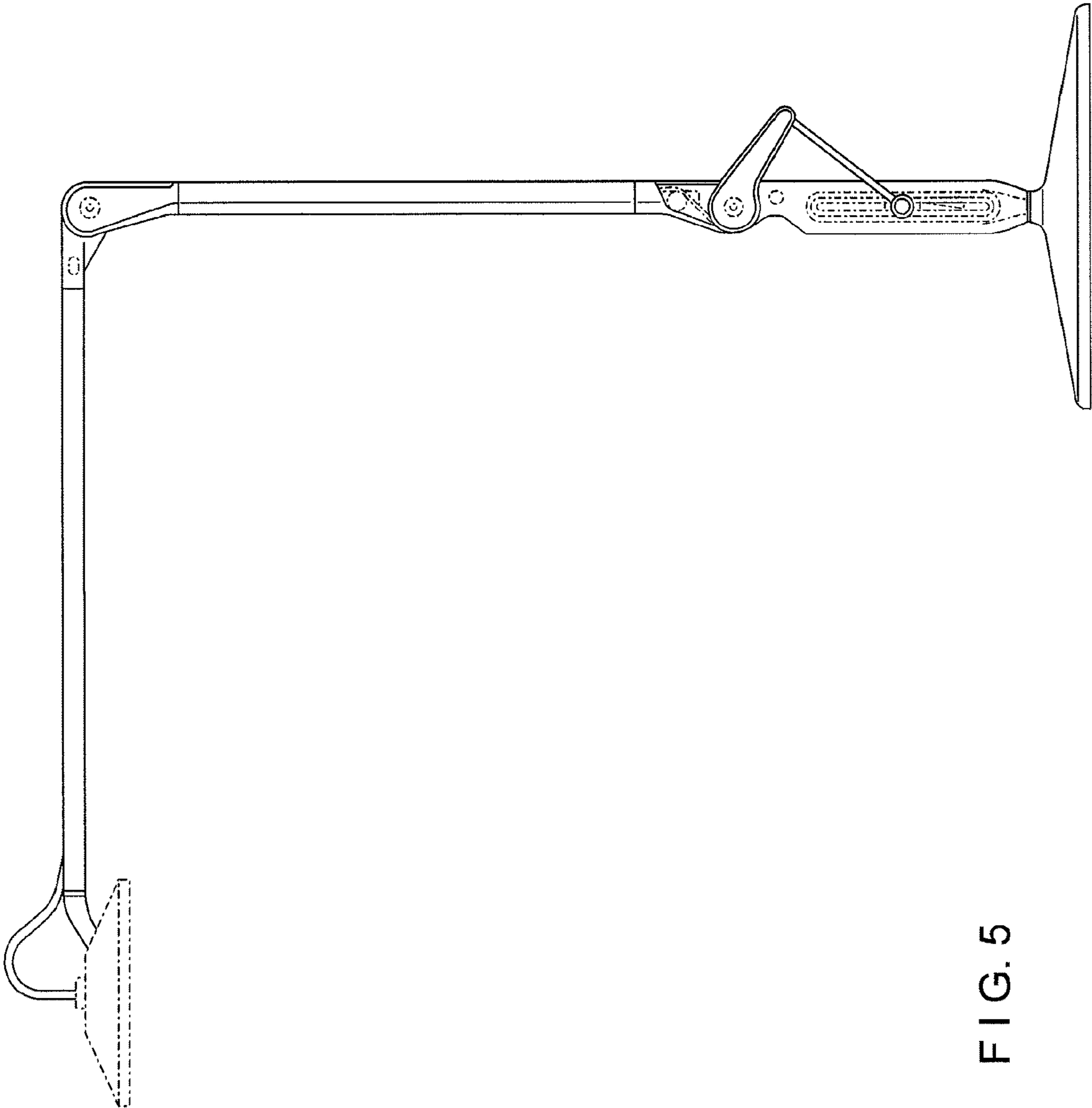


FIG. 5

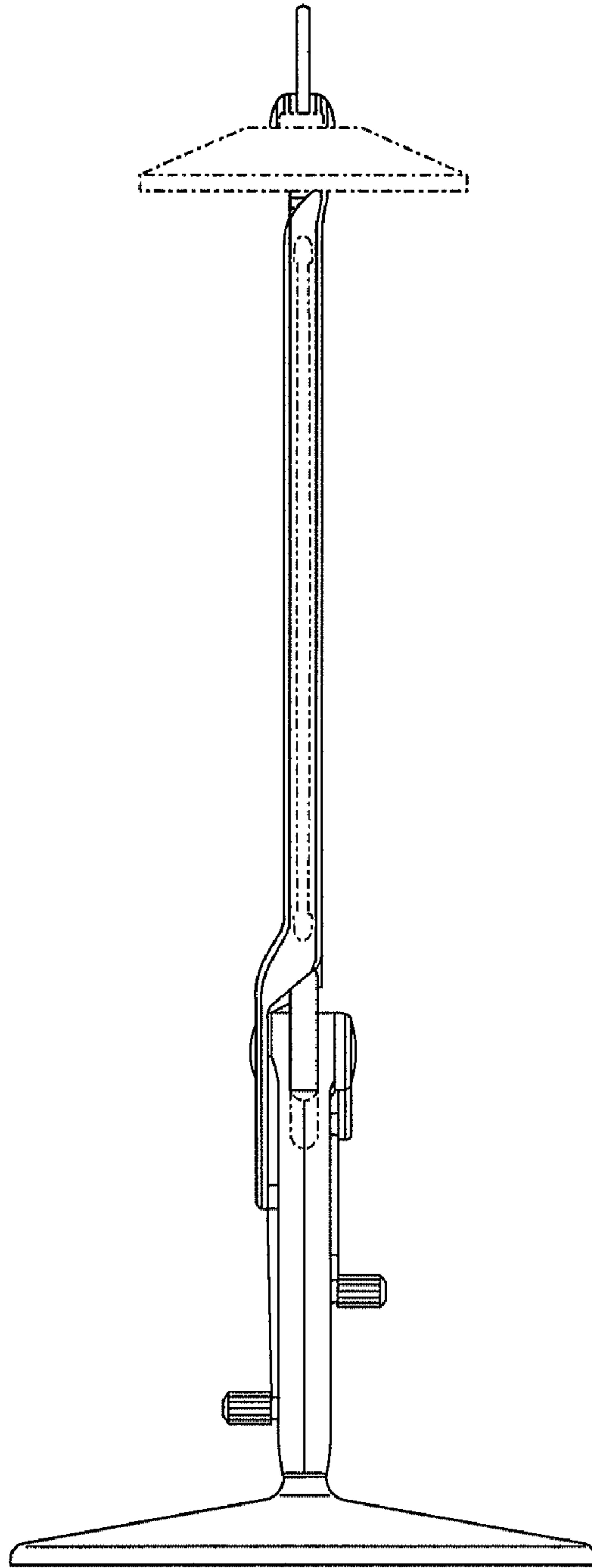


FIG. 6