



US00D646429S

(12) **United States Design Patent**
Sabernig

(10) **Patent No.:** **US D646,429 S**

(45) **Date of Patent:** **** Oct. 4, 2011**

(54) **LIGHT FIXTURE**

(75) **Inventor:** **Robert Sabernig, Munster (AT)**

(73) **Assignee:** **EGLO Leuchten GmbH, Innsbruck (AT)**

(**) **Term:** **14 Years**

(21) **Appl. No.:** **29/381,454**

(22) **Filed:** **Dec. 20, 2010**

(51) **LOC (9) Cl.** **26-99**

(52) **U.S. Cl.** **D26/128**

(58) **Field of Classification Search** D26/118,
D26/120, 128, 133, 63, 72, 93, 110, 106,
D26/65, 113, 81, 88, 24, 51, 60, 61, 62, 67,
D26/68, 80, 86, 135, 137; 362/346, 647,
362/431, 350, 294, 223, 261, 297, 307, 152,
362/351; 116/173; D11/181; D13/179,
D13/180

See application file for complete search history.

(56) **References Cited**

U.S. PATENT DOCUMENTS

D102,438 S *	12/1936	Montmartin	D26/88
D158,821 S *	5/1950	Walter	D26/104
D199,141 S *	9/1964	Curry	D26/104
D205,463 S *	8/1966	Zelenko	D26/62
D231,679 S *	5/1974	Keller	D26/87
D231,680 S *	5/1974	Keller	D26/68
D242,943 S *	1/1977	Lazerson	D26/88
D246,202 S *	10/1977	Oppermann	D26/112
D348,944 S *	7/1994	Shalvi	D26/67
D372,325 S *	7/1996	Hackworth	D26/128
D375,605 S *	11/1996	Balish, Jr.	D26/87
D385,374 S *	10/1997	Shalvi	D26/68
D392,764 S *	3/1998	Balish, Jr.	D26/85
D402,392 S *	12/1998	Huang	D26/112
6,152,582 A *	11/2000	Klaus	362/363
D441,116 S *	4/2001	Sanoner	D26/68
D457,745 S *	5/2002	Han	D6/405
D468,044 S *	12/2002	Lam	D26/72
D482,477 S *	11/2003	Wang	D26/67
D588,296 S *	3/2009	Sabernig	D26/87

D589,188 S *	3/2009	Sabernig	D26/62
D596,334 S *	7/2009	Sabernig	D26/88
D596,337 S *	7/2009	Sabernig	D26/88
D596,780 S *	7/2009	Thun	D26/88
D599,947 S *	9/2009	Sabernig	D26/88
D606,694 S *	12/2009	Sabernig	D26/65
D607,140 S *	12/2009	Farris et al.	D26/105
D611,636 S *	3/2010	Sabernig	D26/63
D611,639 S *	3/2010	Sabernig	D26/63
D611,640 S *	3/2010	Sabernig	D26/63
D615,693 S *	5/2010	Thun	D26/88
D620,179 S *	7/2010	Sabernig	D26/84
D625,879 S *	10/2010	Sabernig	D26/93
D628,330 S *	11/2010	Sabernig	D26/63

* cited by examiner

Primary Examiner — Cathron C. Brooks

Assistant Examiner — Kevin Rudzinski

(74) *Attorney, Agent, or Firm* — Baker & McKenzie LLP

(57) **CLAIM**

The ornamental design for a light fixture, as shown and described.

DESCRIPTION

FIG. 1 is a front perspective view of the light fixture in accordance with my design;

FIG. 2 is a back perspective view of the light fixture in accordance with my design;

FIG. 3 is a front elevation view of the light fixture in accordance with my design;

FIG. 4 is a back elevation view of the light fixture in accordance with my design;

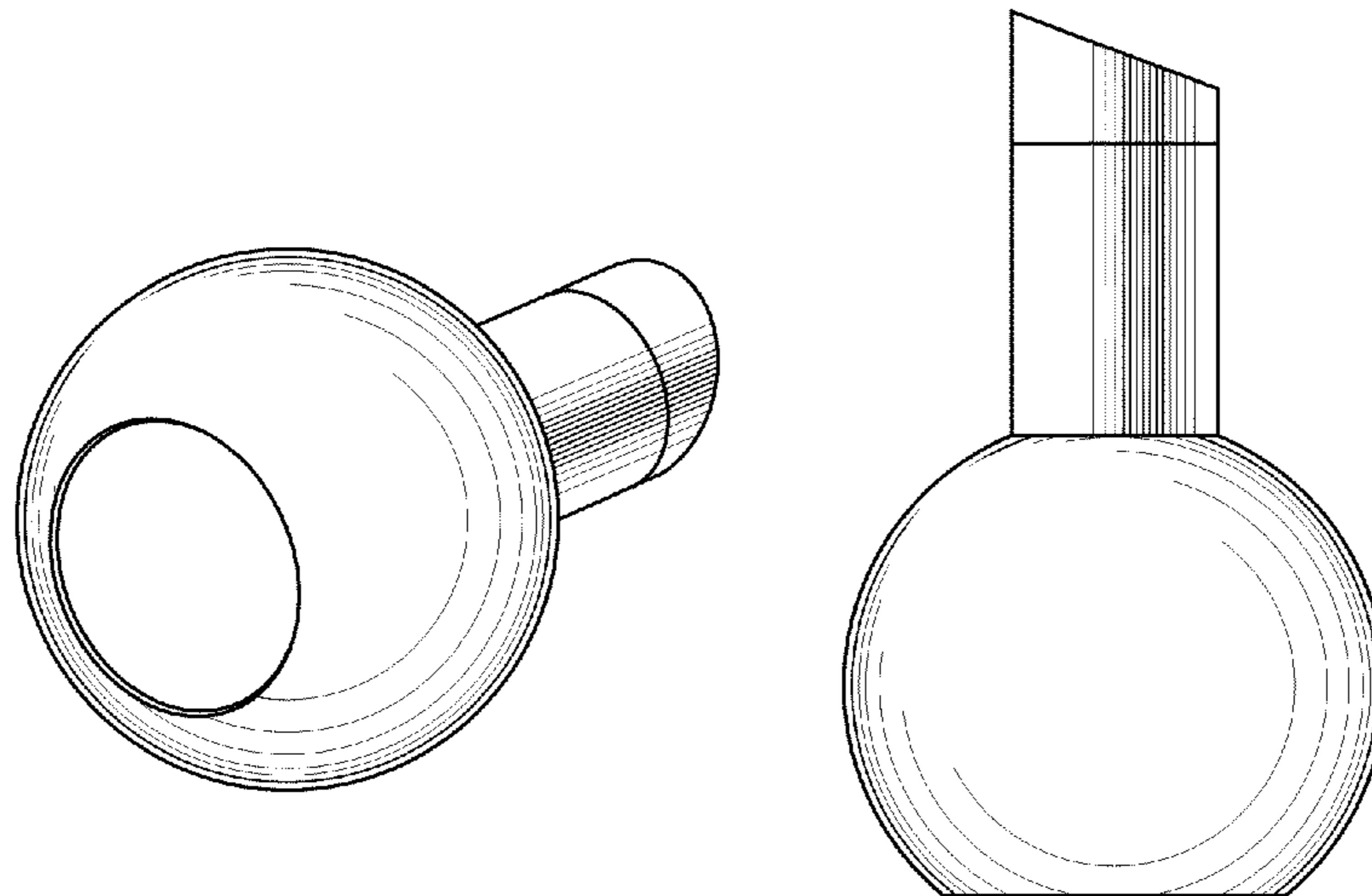
FIG. 5 is a bottom plan view of the light fixture in accordance with my design;

FIG. 6 is a side elevation view of the light fixture in accordance with my design, the opposite view being a mirror image of that shown; and,

FIG. 7 is a top plan view of the light fixture in accordance with my design.

The broken-line disclosure of elements is understood to represent portions of the article in which the design is embodied, but which form no part of the claimed design.

1 Claim, 1 Drawing Sheet



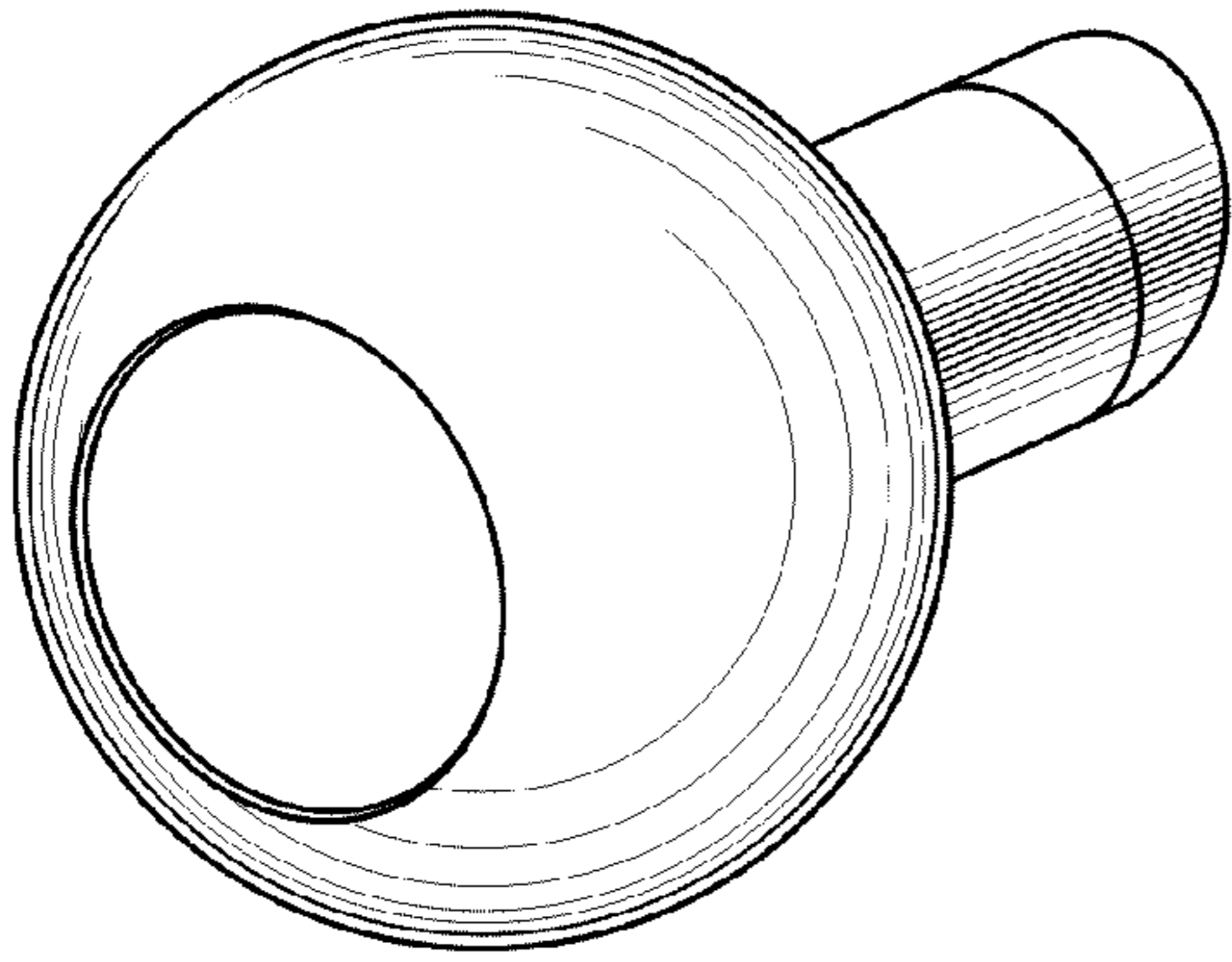


Fig.1

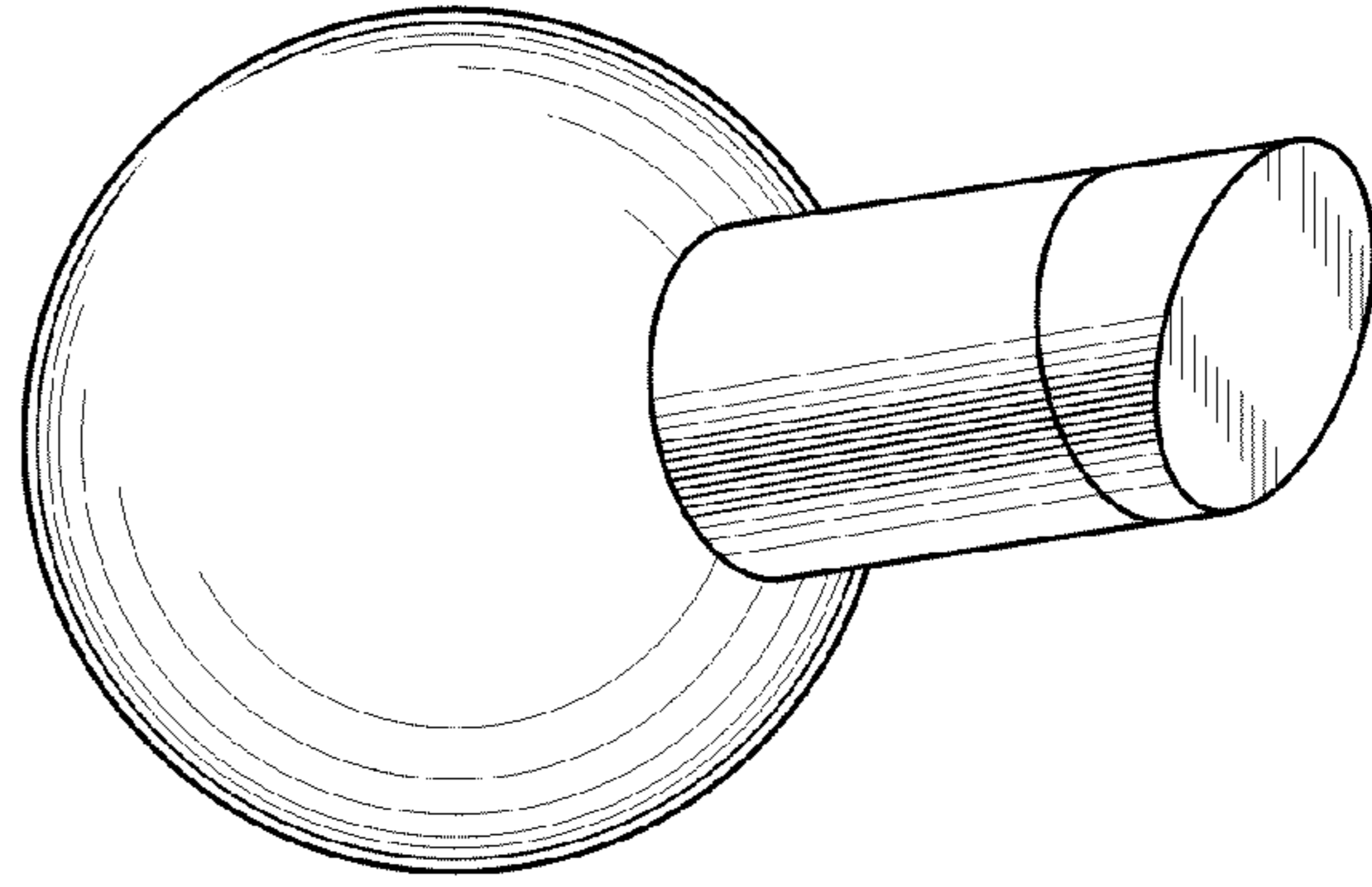


Fig.2

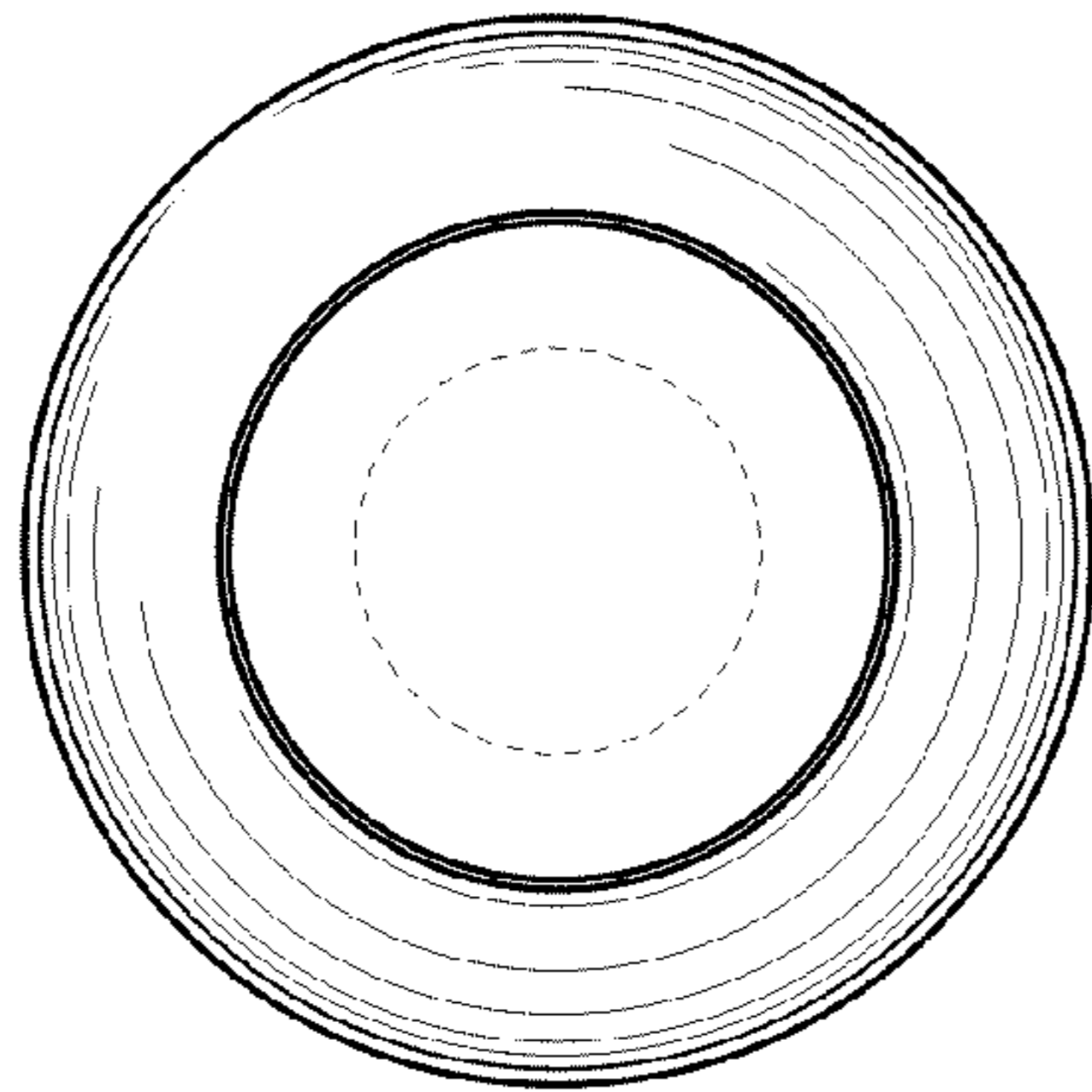


Fig.3

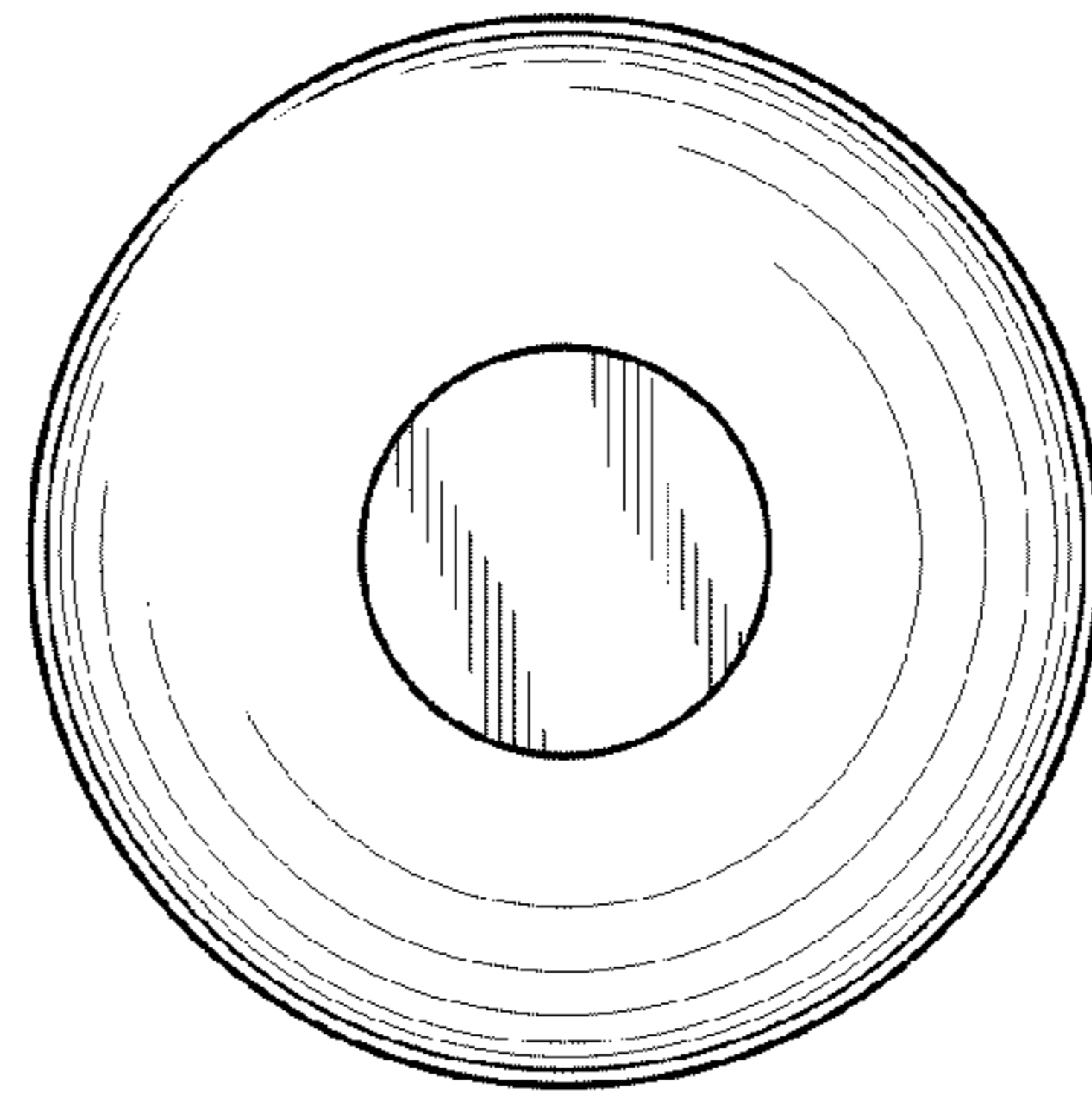


Fig.4

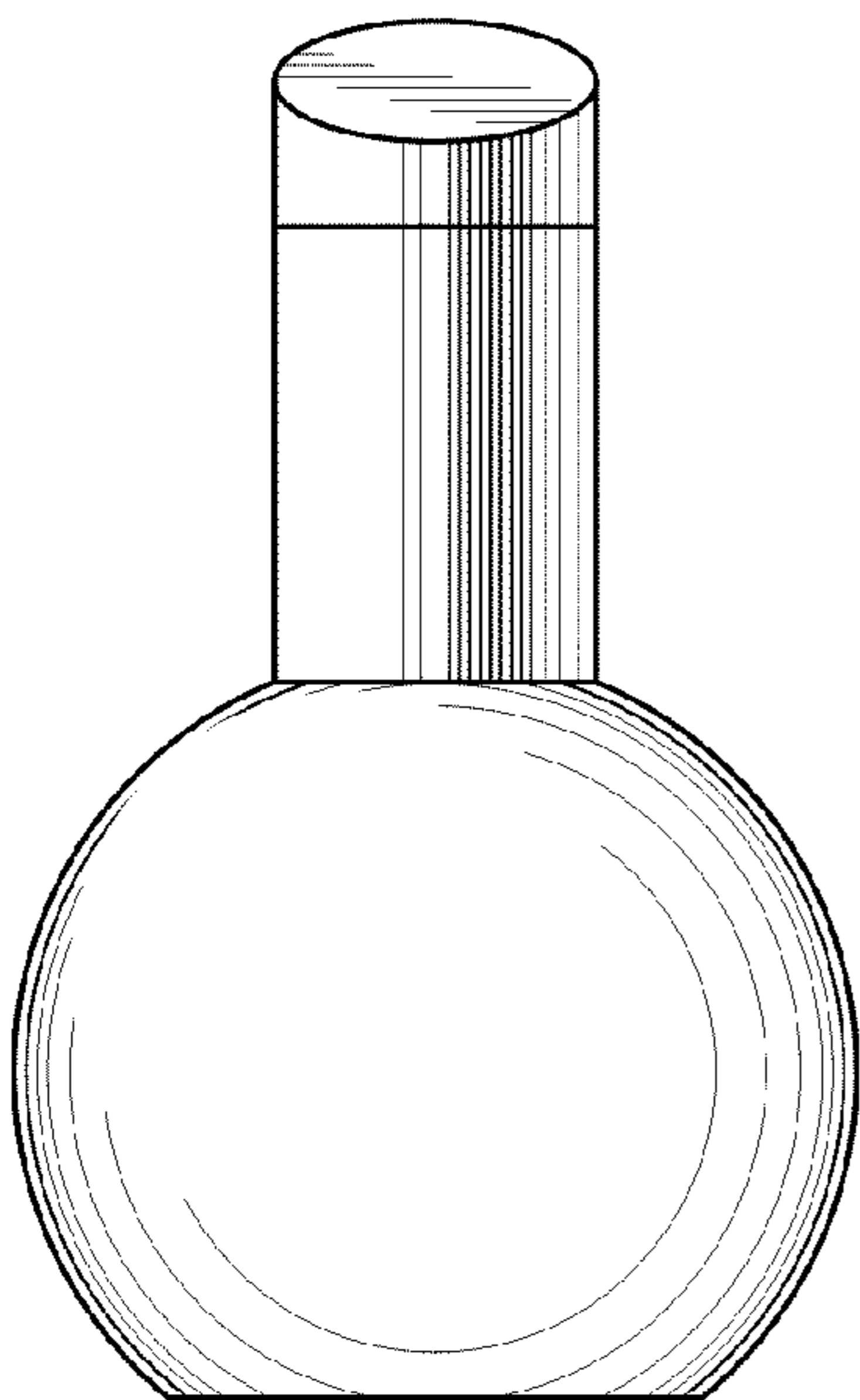


Fig.5

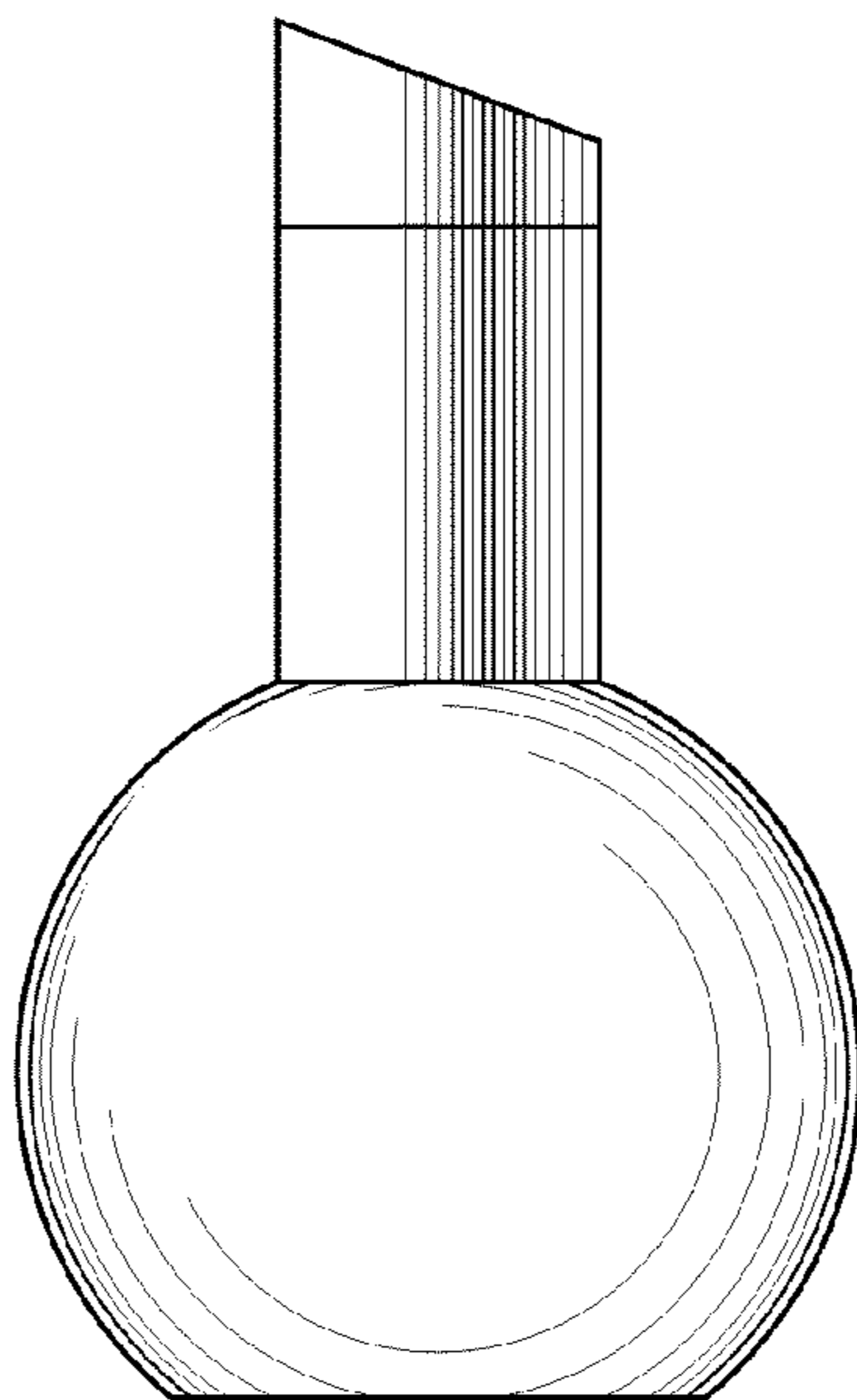


Fig.6

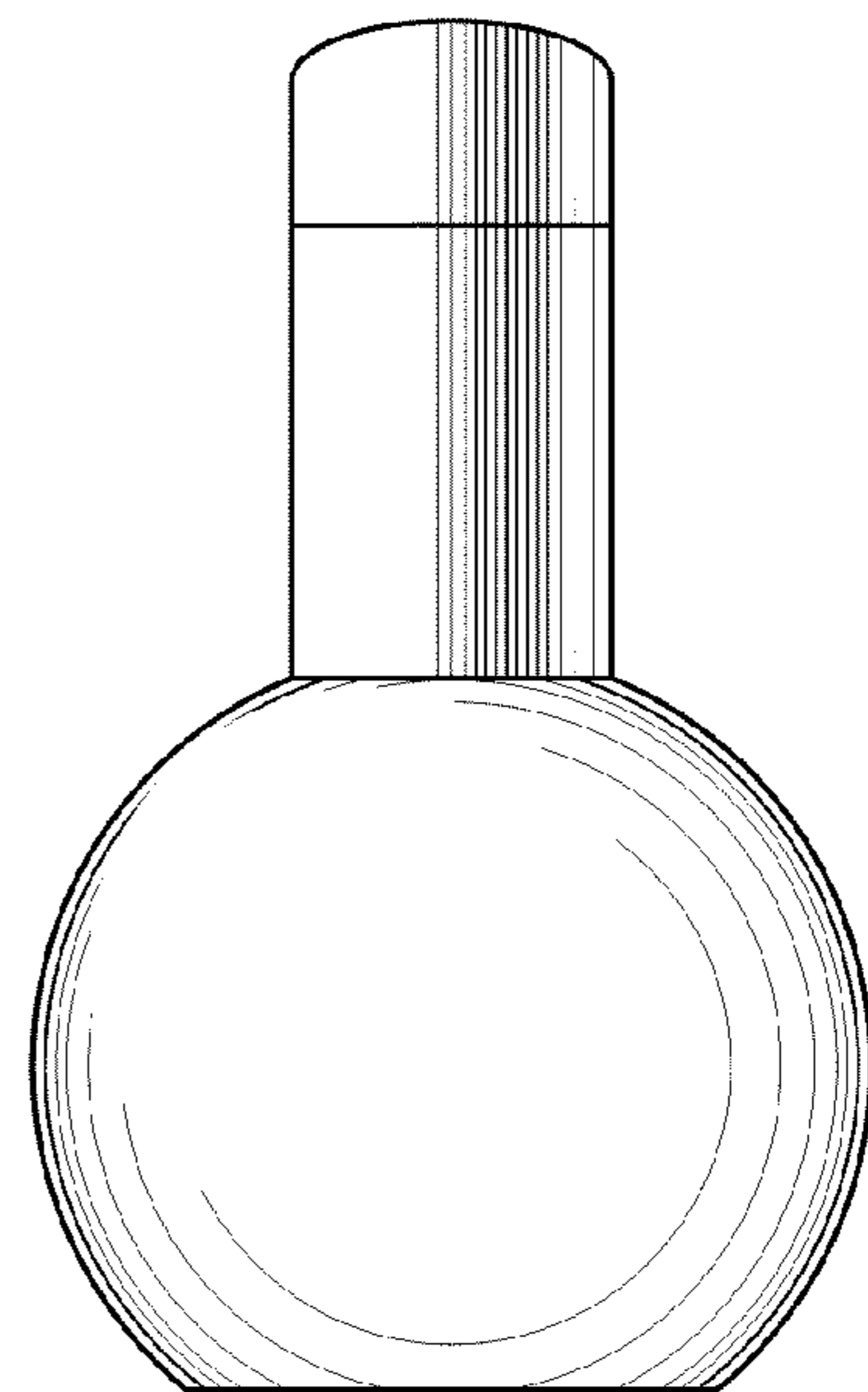


Fig.7