



US00D646428S

(12) **United States Design Patent**
Gordin et al.

(10) **Patent No.:** **US D646,428 S**

(45) **Date of Patent:** **** Oct. 4, 2011**

(54) **LIGHTING FIXTURE HOUSING**

(75) Inventors: **Myron Gordin**, Oskaloosa, IA (US);
Steven T. Heaton, Oskaloosa, IA (US);
Chris P. Lickiss, Newton, IA (US)

(73) Assignee: **Musco Corporation**, Oskaloosa, IA
(US)

(**) Term: **14 Years**

(21) Appl. No.: **29/386,239**

(22) Filed: **Feb. 25, 2011**

(51) **LOC (9) Cl.** **26-99**

(52) **U.S. Cl.** **D26/118**

(58) **Field of Classification Search** D26/118,
D26/120, 128, 133, 63, 72, 93, 110, 106,
D26/65, 113, 81, 88, 24, 51, 60, 61, 62, 67,
D26/68, 80, 86, 135, 137; 362/346, 647,
362/431, 350, 294, 223, 261, 297, 307, 152,
362/351; 116/173; D11/181; D13/179,
D13/180

See application file for complete search history.

(56) **References Cited**

U.S. PATENT DOCUMENTS

1,508,791	A *	9/1924	Hoffman et al.	362/322
1,600,682	A *	9/1926	McCarley	362/348
1,997,026	A *	4/1935	Weddel	362/516
D199,631	S *	11/1964	Petersen	D26/63
3,780,285	A *	12/1973	Appeldorn et al.	362/311.05
5,211,473	A *	5/1993	Gordin et al.	362/297
5,651,606	A *	7/1997	Krogman	362/96

D432,708	S *	10/2000	Wachter et al.	D26/118
D452,027	S *	12/2001	Mashevsky	D26/63
6,502,965	B1 *	1/2003	Bradford	362/346
D488,878	S *	4/2004	Ward	D26/63
D544,137	S *	6/2007	Montefusco	D26/118
D573,752	S *	7/2008	Gordin et al.	D26/118
D583,499	S *	12/2008	Gordin et al.	D26/118
D583,500	S *	12/2008	Gordin	D26/118
7,458,700	B2 *	12/2008	Gordin	362/235
7,918,588	B2 *	4/2011	Gordin et al.	362/296.01
2006/0176704	A1 *	8/2006	Gordin et al.	362/351

* cited by examiner

Primary Examiner — Cathron C Brooks

Assistant Examiner — Kevin Rudzinski

(74) *Attorney, Agent, or Firm* — McKee, Voorhees & Sease,
P.L.C.

(57) **CLAIM**

The ornamental design for a lighting fixture housing, as shown and described.

DESCRIPTION

FIG. 1 is a perspective view of the claimed design in a typical operational orientation;

FIG. 2 is a top plan view of FIG. 1;

FIG. 3 is a bottom plan view of FIG. 1;

FIG. 4 is a front elevation view of FIG. 1;

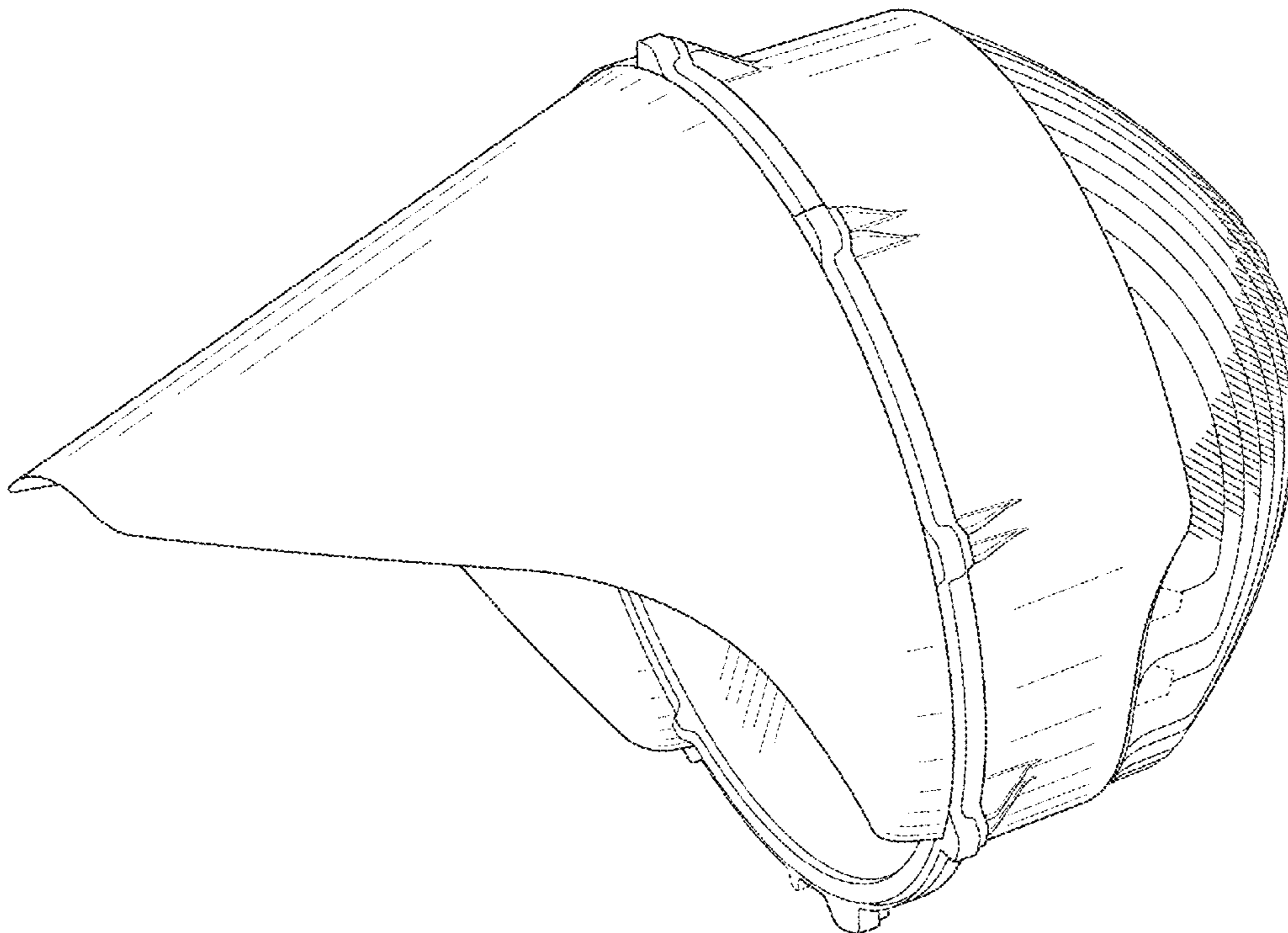
FIG. 5 is a back elevation view of FIG. 1;

FIG. 6 is a right side elevation view of FIG. 1; and,

FIG. 7 is a left side elevation view of FIG. 1.

The broken lines in the drawings illustrate unclaimed portions of the lighting fixture housing and form no part of the claimed design.

1 Claim, 7 Drawing Sheets



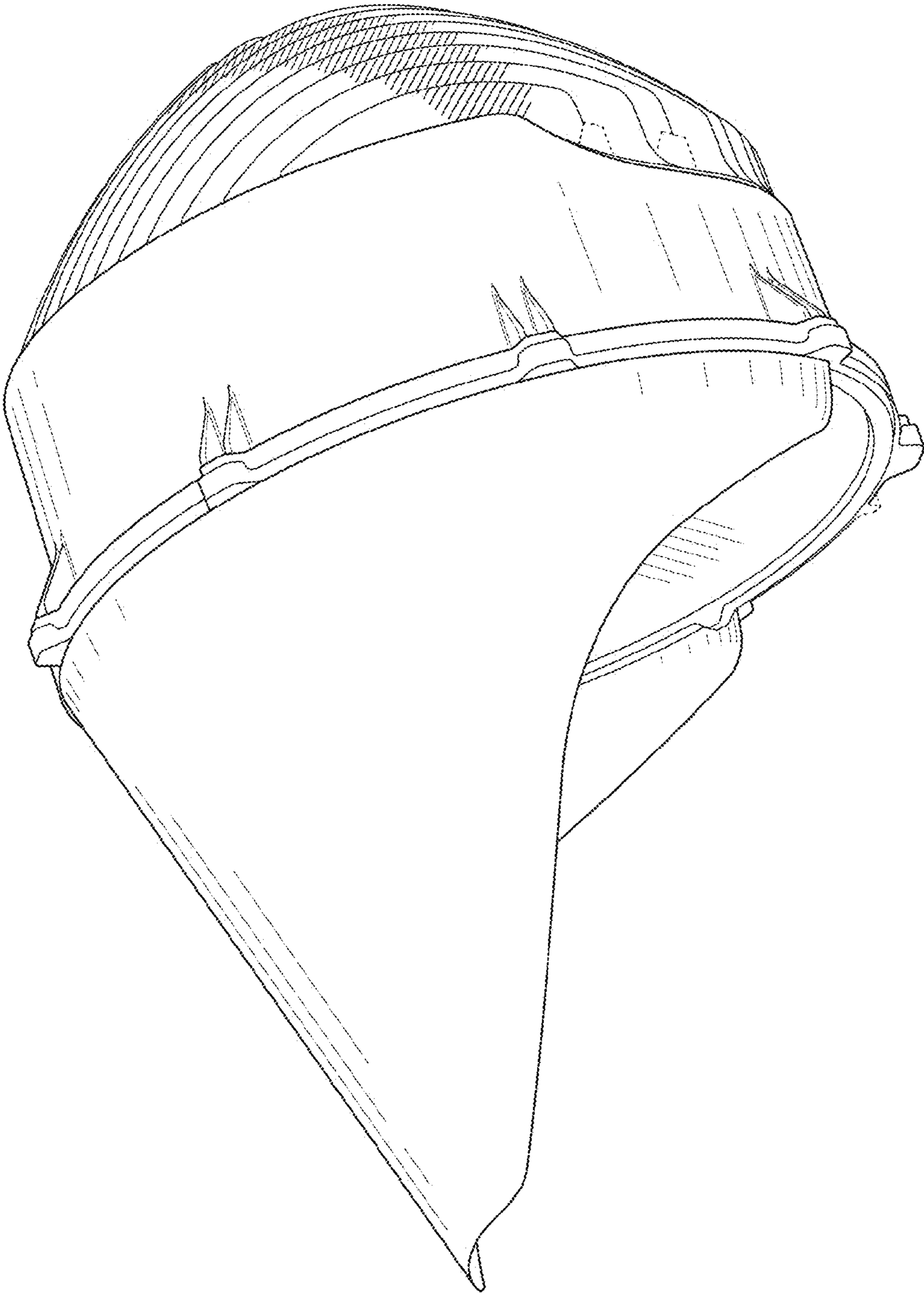


Fig. 1

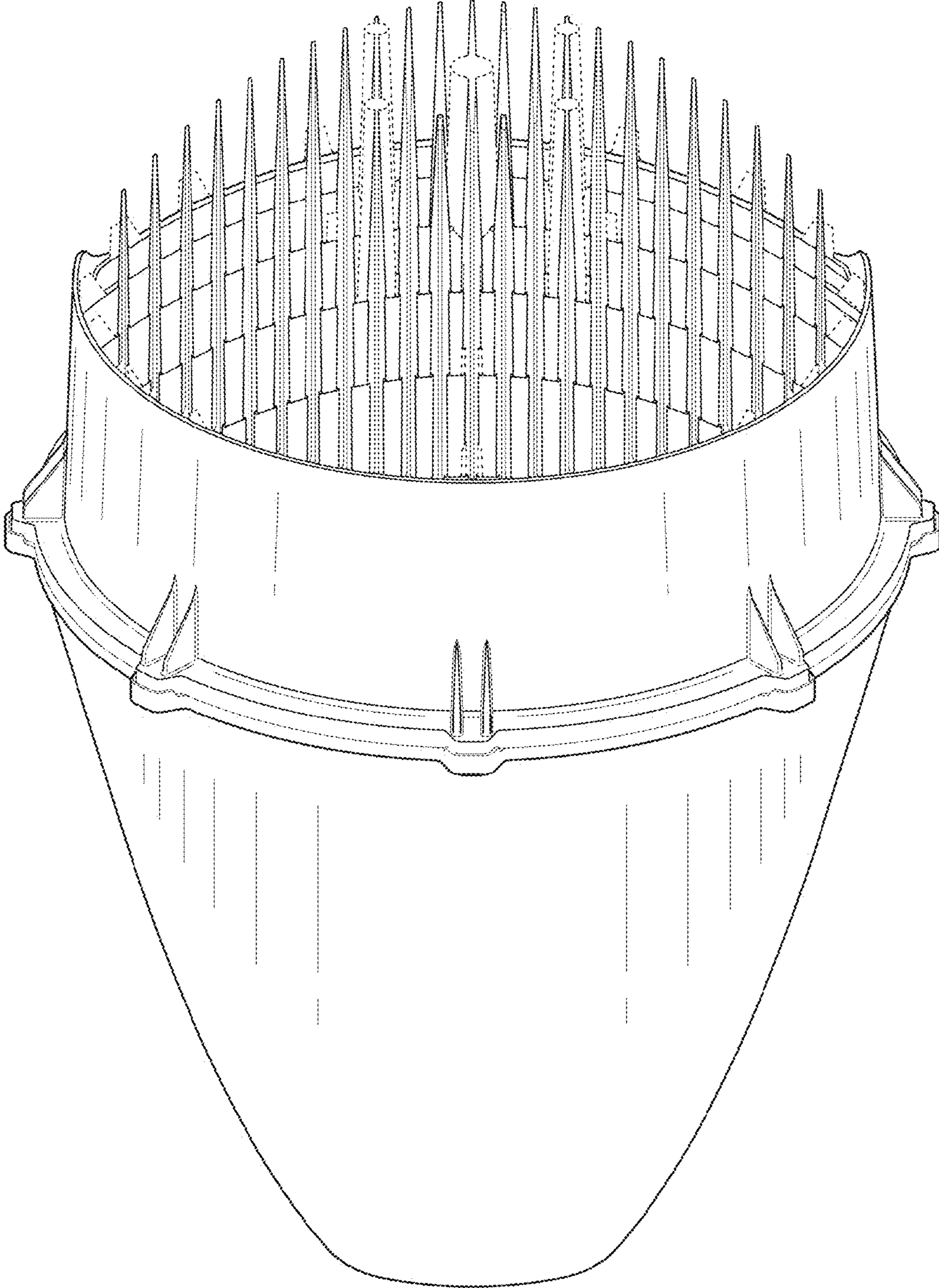


Fig. 2

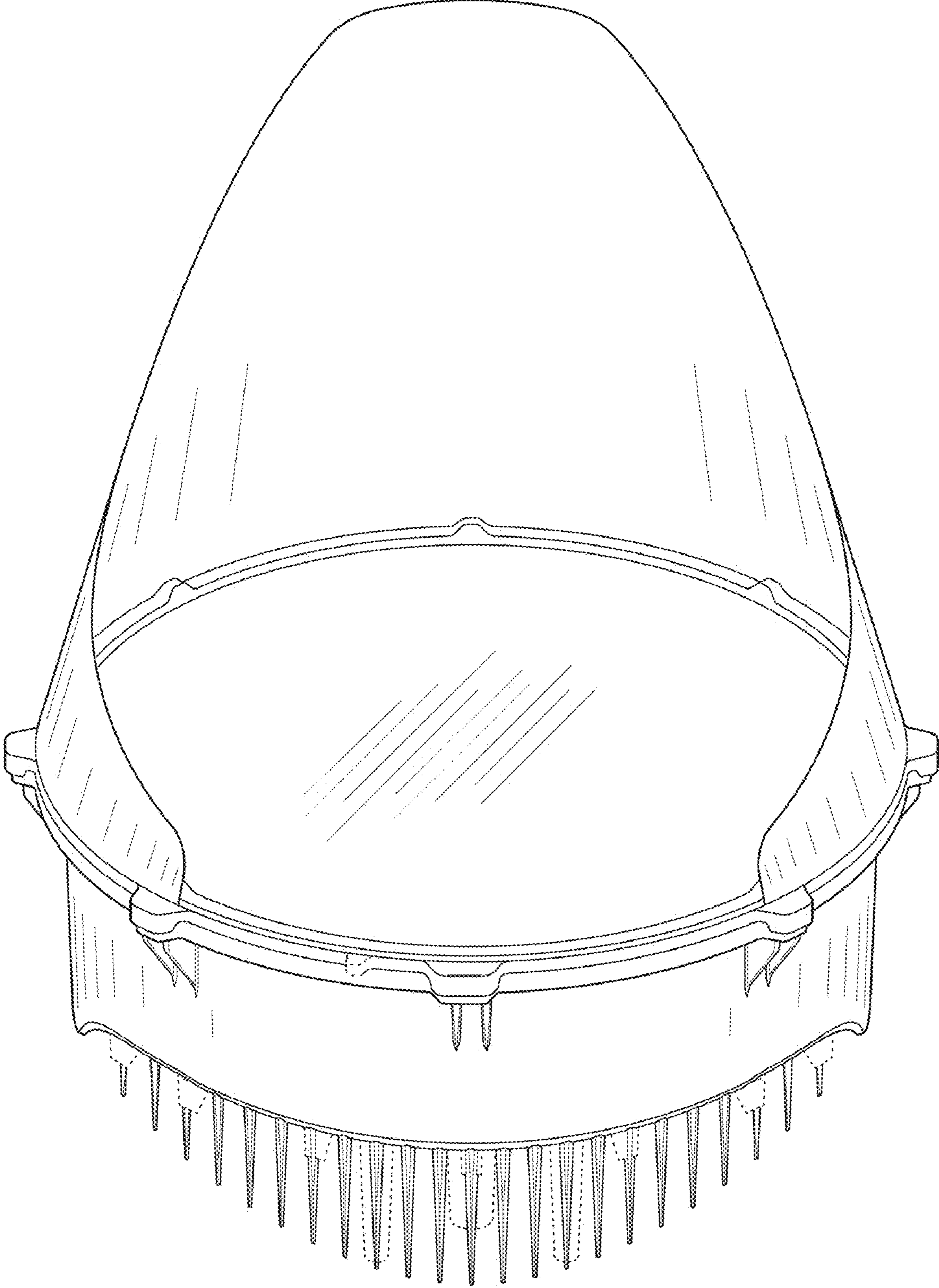


Fig. 3

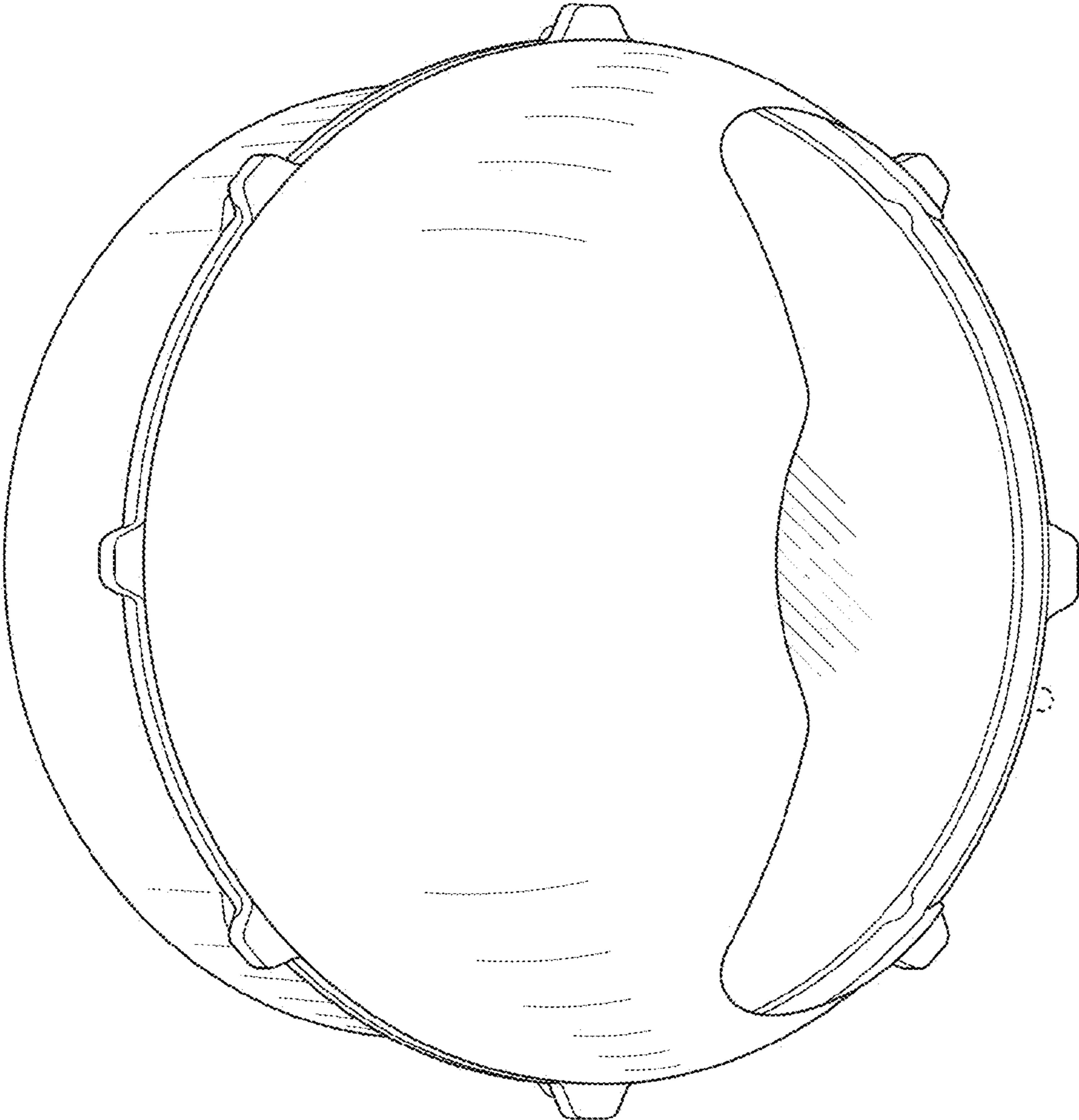


Fig. 4

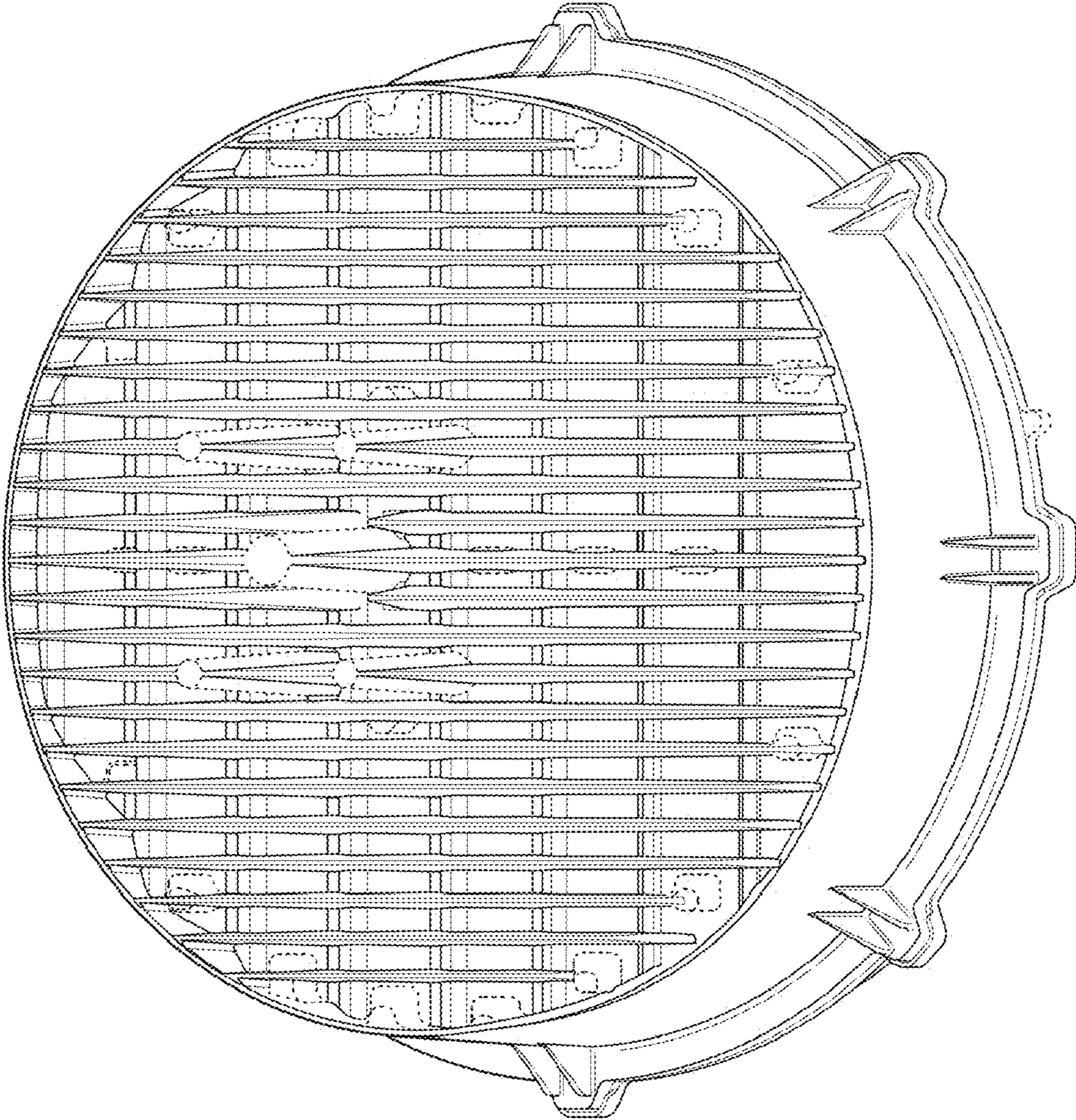


Fig. 5

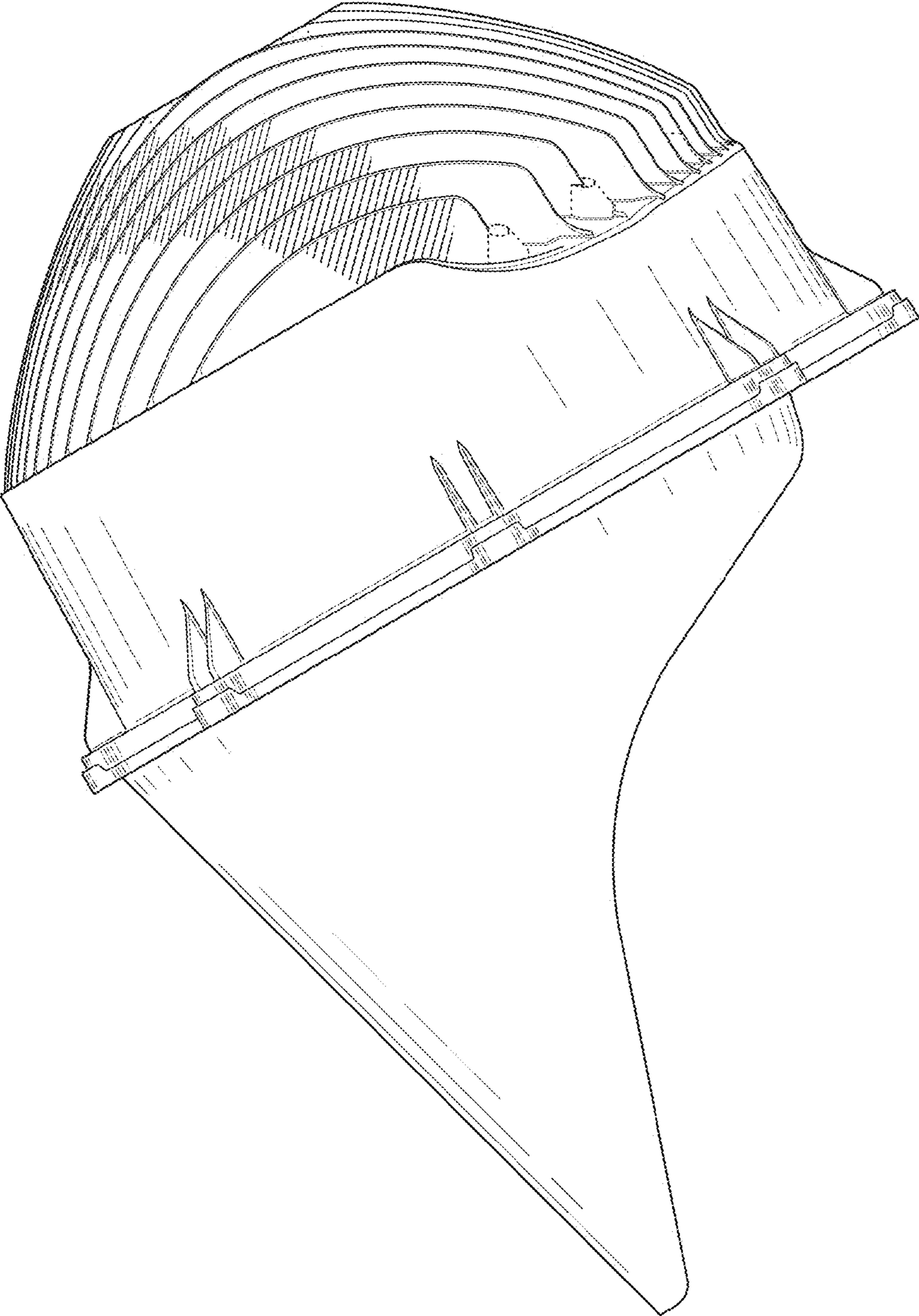


Fig. 6

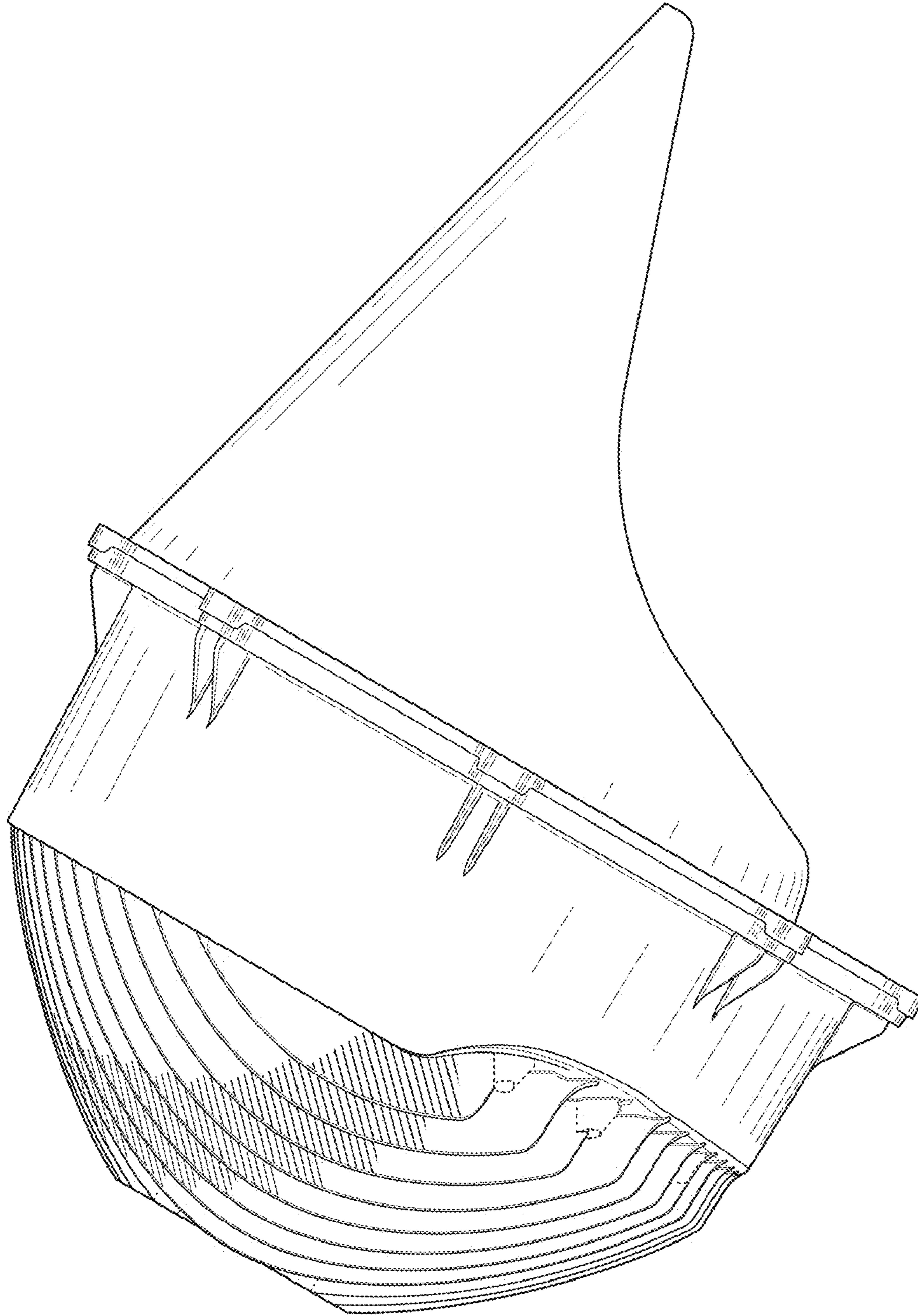


Fig. 7