



US00D646427S

(12) **United States Design Patent**
Chen

(10) **Patent No.:** **US D646,427 S**

(45) **Date of Patent:** **** Oct. 4, 2011**

(54) **LIGHTING FIXTURE**

(76) Inventor: **Chia-Teh Chen**, Taipei (TW)

(**) Term: **14 Years**

(21) Appl. No.: **29/381,429**

(22) Filed: **Dec. 20, 2010**

(51) **LOC (9) Cl.** **26-03**

(52) **U.S. Cl.** **D26/87; D26/67**

(58) **Field of Classification Search** D26/67,
D26/68, 72, 82, 83, 85, 87, 89, 92, 128; 362/133,
362/432, 183

See application file for complete search history.

D553,284 S * 10/2007 Bucher et al. D26/67
D570,525 S * 6/2008 Morin D26/87
D580,084 S * 11/2008 Walsh D26/68
D588,294 S * 3/2009 Flores D26/85

* cited by examiner

Primary Examiner — Clare E Heflin

(74) *Attorney, Agent, or Firm* — Rosenberg, Klein & Lee

(57) **CLAIM**

The ornamental design for a “lighting fixture,” as shown and described.

DESCRIPTION

FIG. 1 is a perspective view of a “lighting fixture” showing my design;

FIG. 2 is a front view thereof;

FIG. 3 is a rear view thereof;

FIG. 4 is a left side view thereof;

FIG. 5 is a right side view thereof;

FIG. 6 is a top view thereof; and,

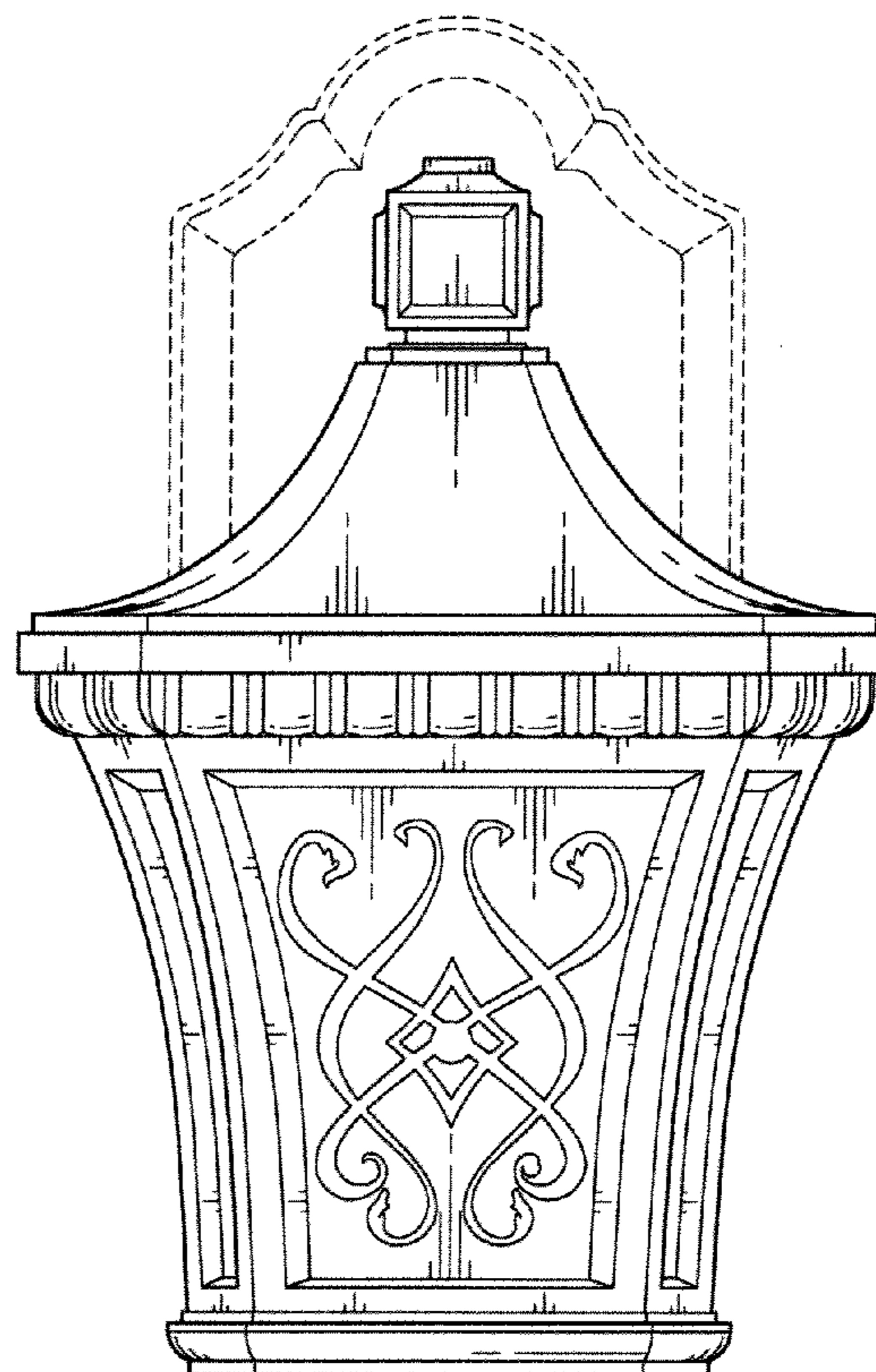
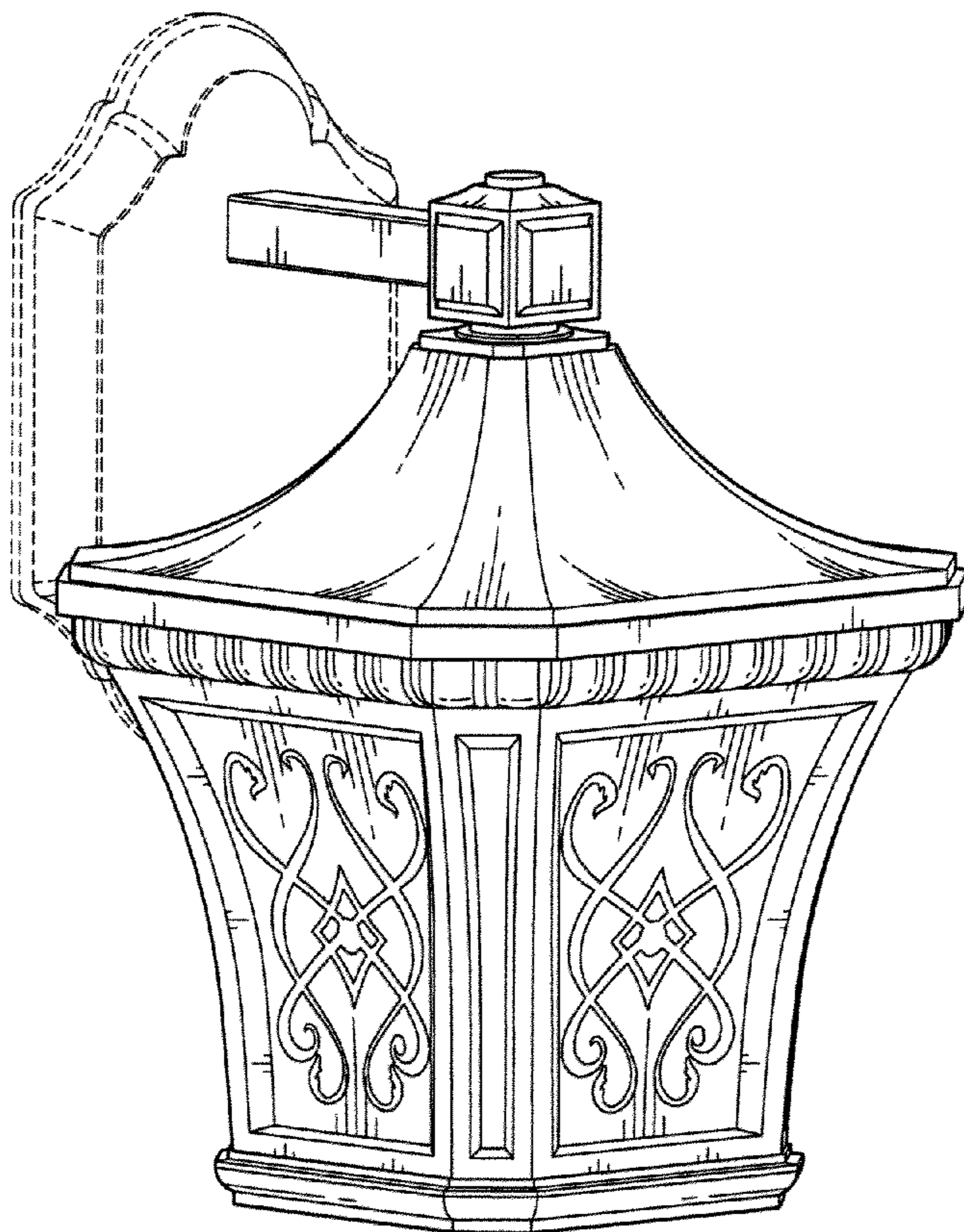
FIG. 7 is a bottom view thereof.

(56) **References Cited**

U.S. PATENT DOCUMENTS

D70,402 S * 6/1926 Chappell D26/87
D71,142 S * 9/1926 Friedman D26/87
D76,367 S * 9/1928 Aspinwall D26/87
D206,082 S * 10/1966 Rosen D26/87
D442,319 S * 5/2001 Hsu D26/87
D497,023 S * 10/2004 Burkart et al. D26/67
D510,453 S * 10/2005 De’Armond D26/128
D550,891 S * 9/2007 Miranda D26/85

1 Claim, 6 Drawing Sheets



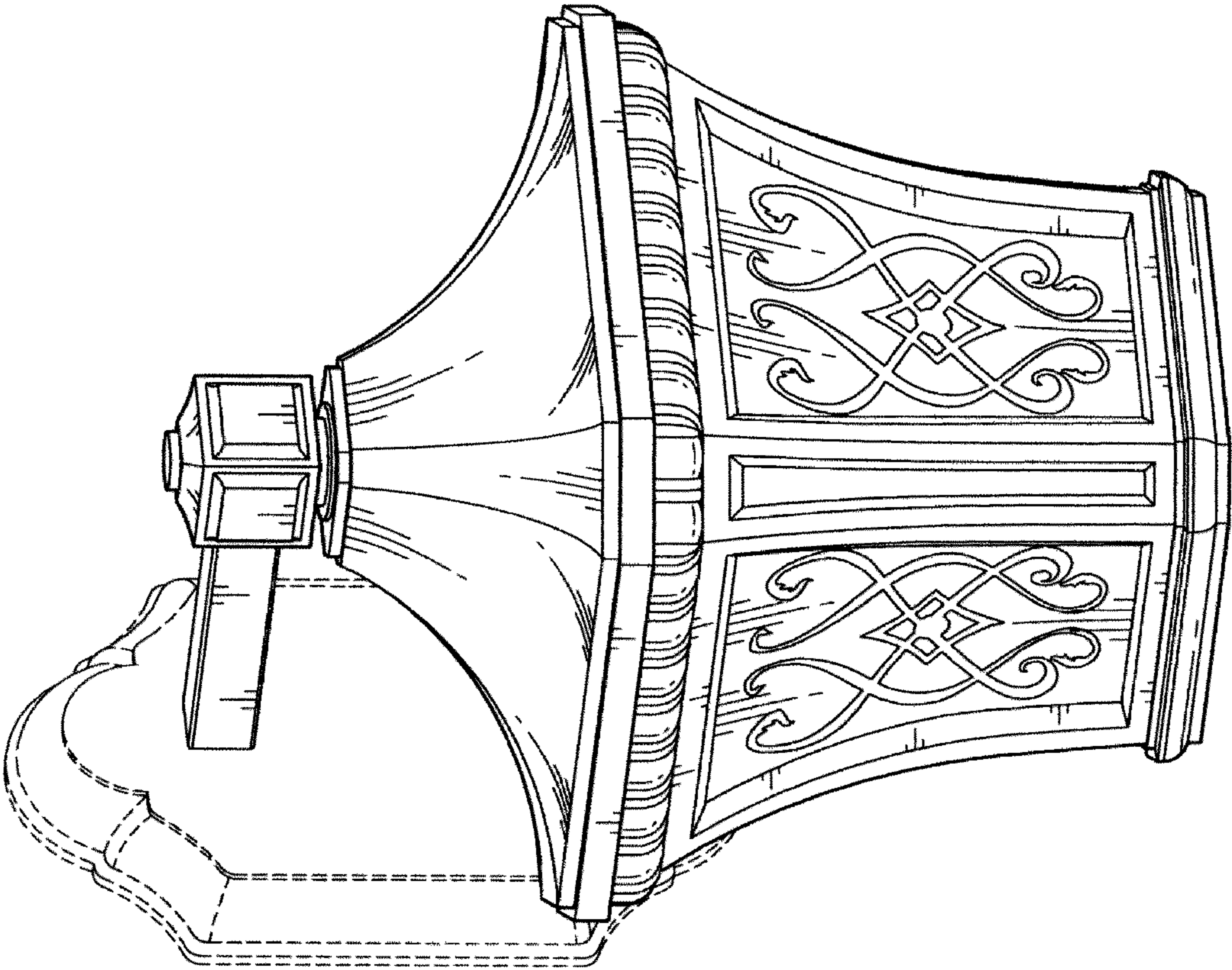


FIG. 1

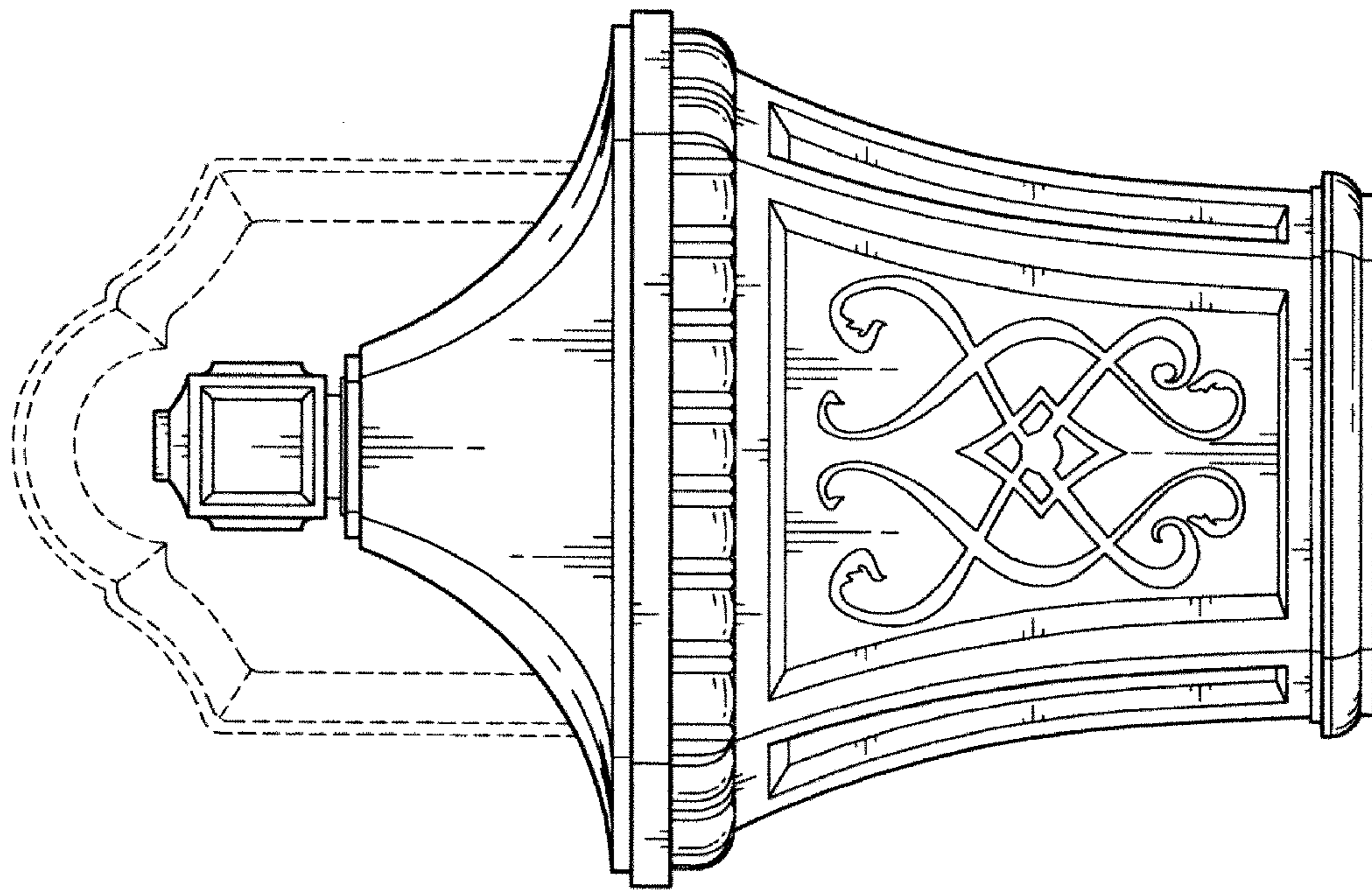


FIG. 2

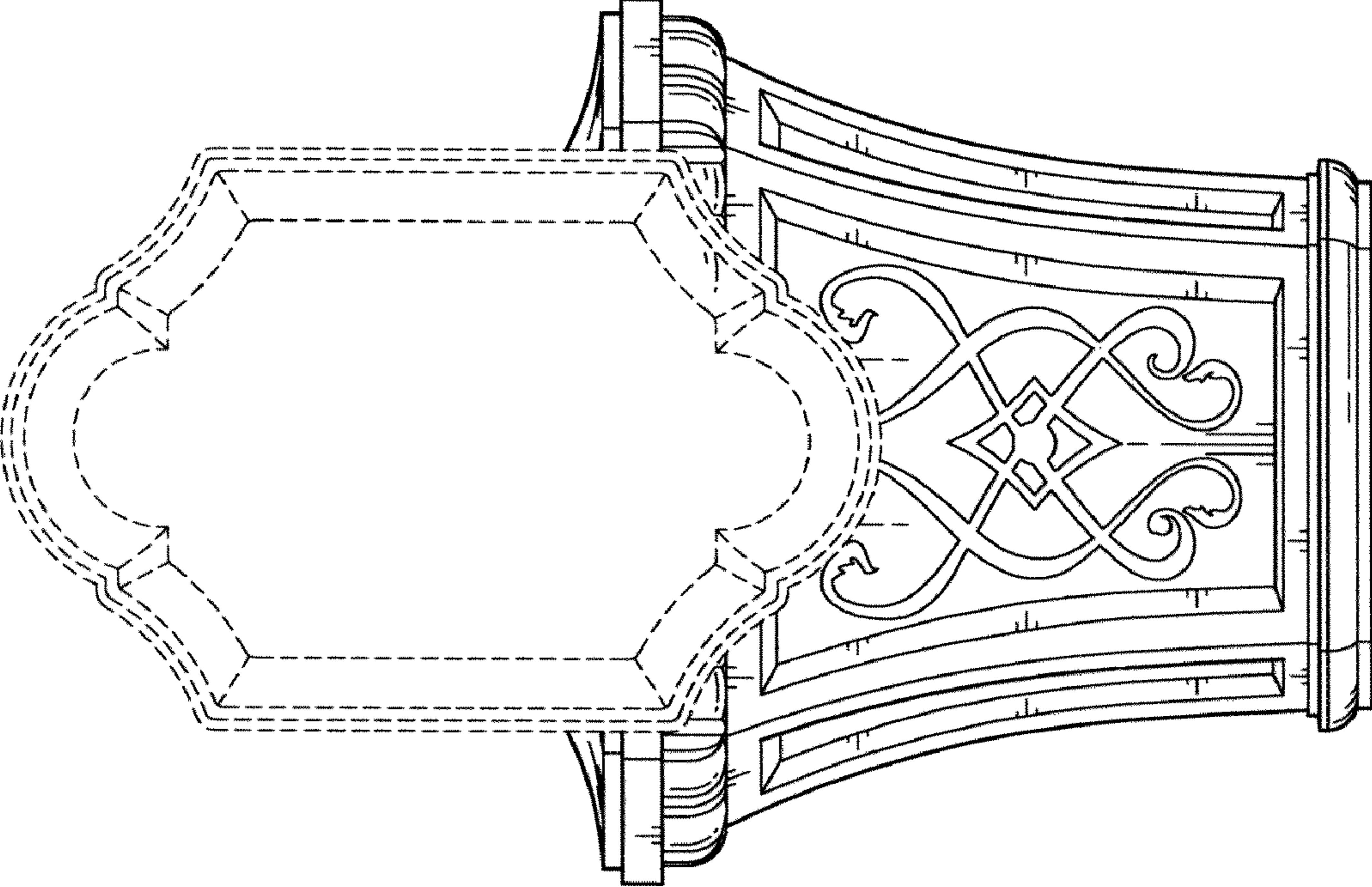


FIG. 3

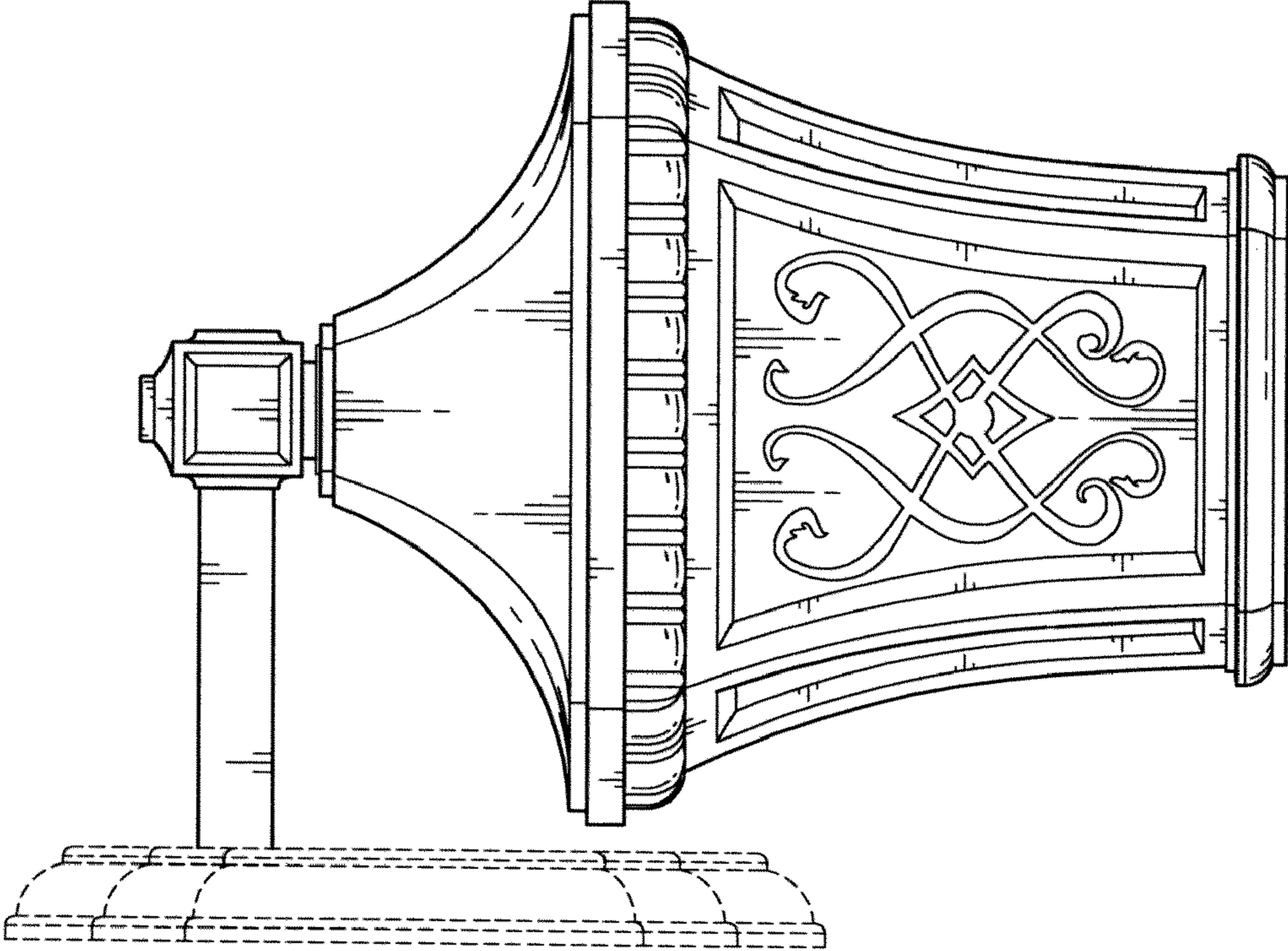


FIG. 4

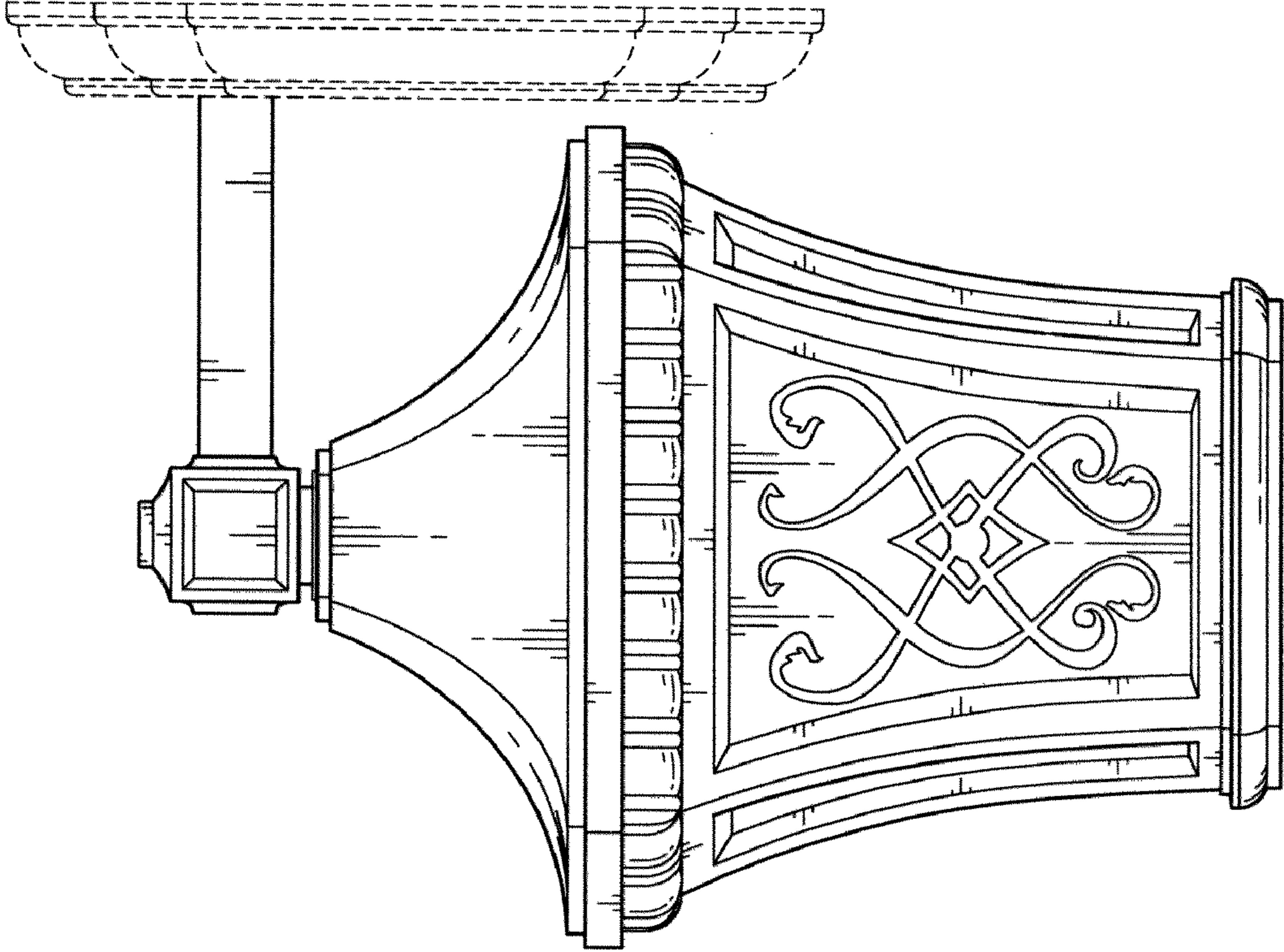


FIG. 5

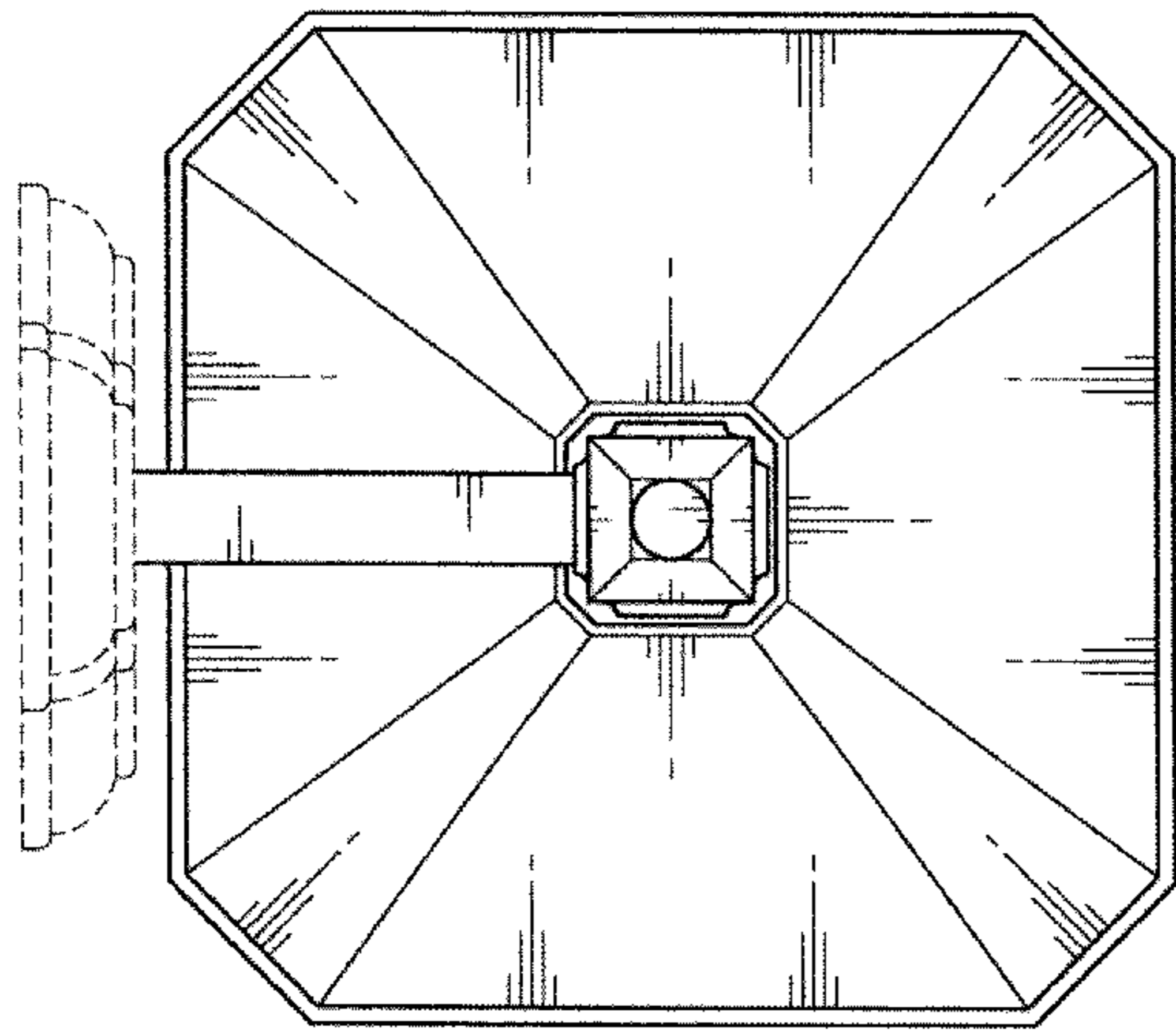


FIG. 6

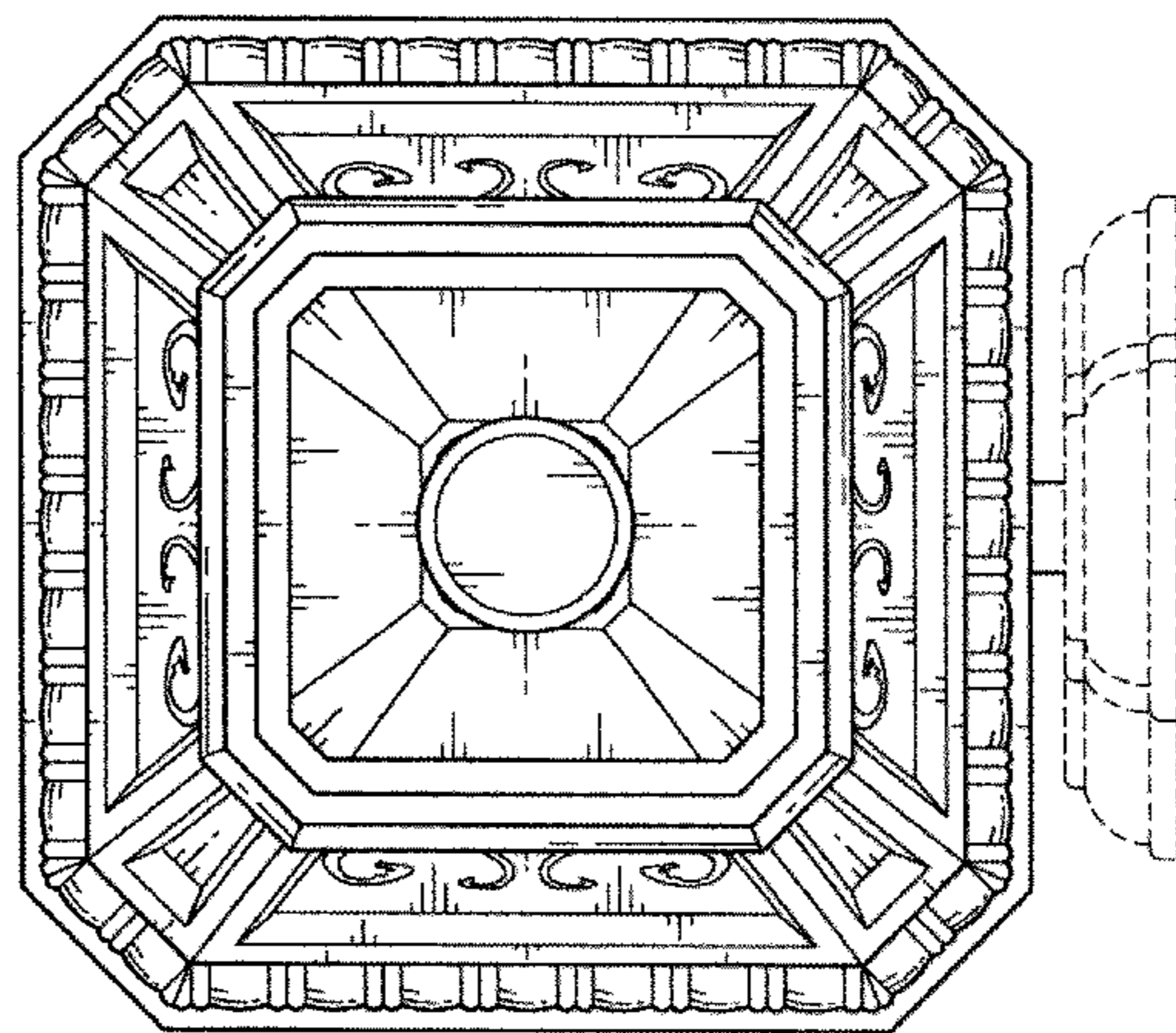


FIG. 7