



US00D646422S

(12) **United States Design Patent**
Chung et al.

(10) **Patent No.:** **US D646,422 S**

(45) **Date of Patent:** **** Oct. 4, 2011**

(54) **LIGHTING FIXTURE**

(75) Inventors: **Casey Chung**, Bloomingdale, IL (US);
Michael T. Thornton, Burr Ridge, IL
(US); **Stephan Apetauer**, Munich (DE);
Thomas Moeker, Munich (DE);
Burkhard Schlee, Munich (DE)

(73) Assignee: **Focal Point, L.L.C.**, Chicago, IL (US)

(**) Term: **14 Years**

(21) Appl. No.: **29/360,914**

(22) Filed: **May 3, 2010**

(51) **LOC (9) Cl.** **26-05**

(52) **U.S. Cl.** **D26/75**

(58) **Field of Classification Search** D26/75-85,
D26/88, 89, 72, 25, 3, 113, 118, 128, 141,
D26/142; 362/555, 14, 148, 150, 217.01,
362/217.05, 217.06, 217.07, 217.08, 217.09,
362/217.1, 217.12, 217.13, 260, 296.01,
362/404

See application file for complete search history.

(56) **References Cited**

U.S. PATENT DOCUMENTS

D123,049 S *	10/1940	Doane	D26/76
D496,121 S *	9/2004	Santoro	D26/74
D511,852 S *	11/2005	Benensohn	D26/76
D545,481 S *	6/2007	Mayfield et al.	D26/118
D580,583 S *	11/2008	Pfund	D26/76
D602,626 S *	10/2009	Santoro et al.	D26/76
D604,884 S *	11/2009	Moritz	D26/76
D608,929 S *	1/2010	Castelli	D26/76
D608,930 S *	1/2010	Castelli	D26/76
D608,933 S *	1/2010	Castelli	D26/76

D617,489 S *	6/2010	Santoro	D26/76
D632,004 S *	2/2011	Waldmann	D26/88
2005/0281024 A1 *	12/2005	Mayfield et al.	362/221
2007/0211457 A1 *	9/2007	Mayfield et al.	362/223

OTHER PUBLICATIONS

Énergie, BLUemotion Catalog.
Axis Lighting, DIA with VL Optic Catalog, 2009.
Pure FX recessed light, Ledalite, <http://ledalite.com/products/pure-fx/recessed>, retrieved from the internet Jul. 29, 2010.
Nol Round light, Mark Architectural Lighting, <http://www.marklighting.com/product/detail/Nol/Nol%20Square.aspx>,
retrieved from the internet Jul. 29, 2010.
Zumtobel Lighting Ltd., Claris II Catalog, Jun. 2007.

* cited by examiner

Primary Examiner — Angela J Lee

(74) *Attorney, Agent, or Firm* — Banner & Witcoff, Ltd.

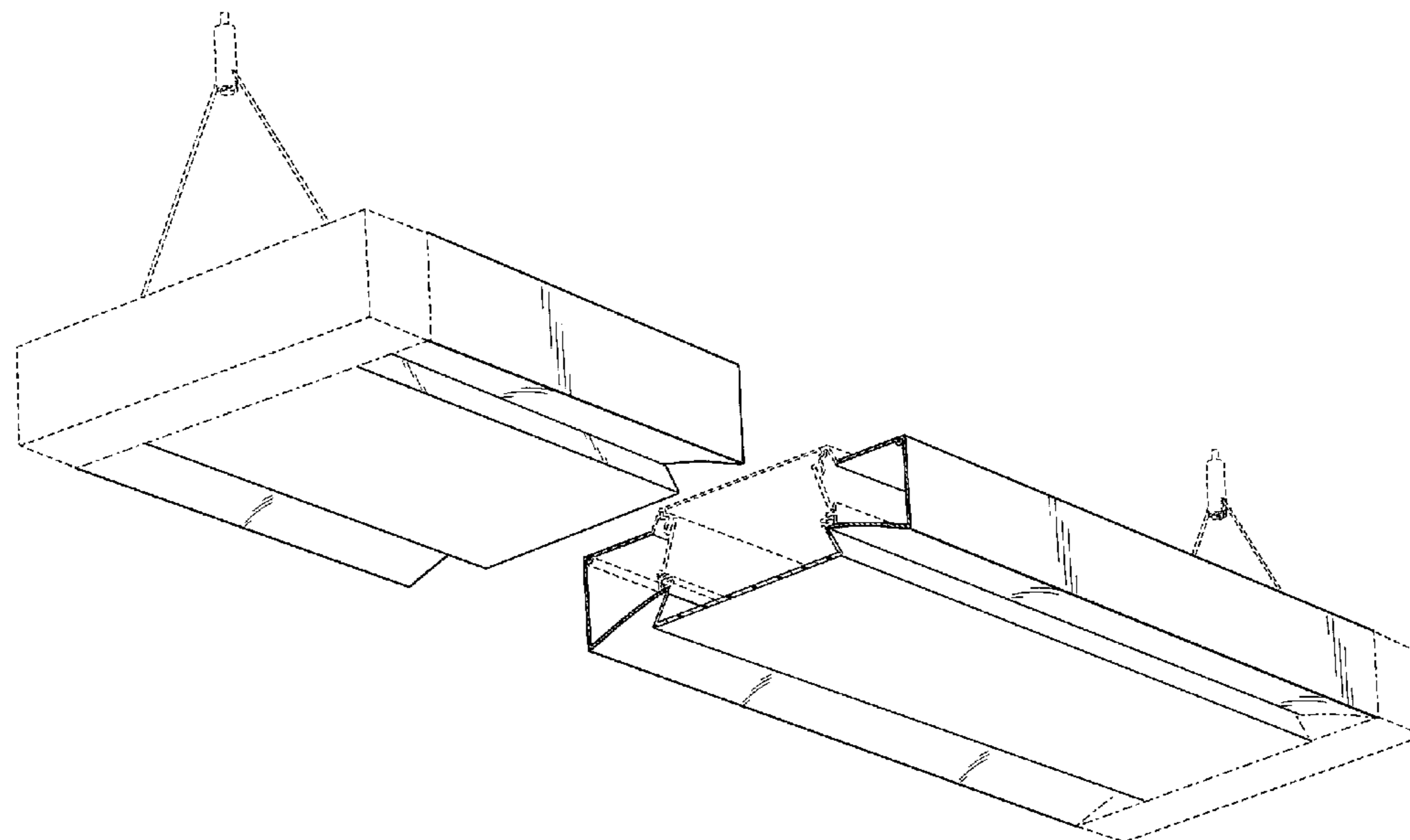
(57) **CLAIM**

The ornamental design for a lighting fixture, as shown and described.

DESCRIPTION

FIG. 1 is a bottom, front, right perspective view of a lighting fixture showing our new design, wherein the bottom, rear left perspective view is identical thereto; and, FIG. 2 is a top, front, right perspective view thereof, wherein the top, rear left perspective view is identical thereto. The uneven-length broken lines represent unclaimed boundaries of the claimed design. The even-length broken lines showing the remainder of the lighting fixture are for illustrative purposes only and form no part of the claimed design. The middle portion of the lighting fixture is broken away in FIGS. 1 and 2 to indicate no particular length.

1 Claim, 2 Drawing Sheets



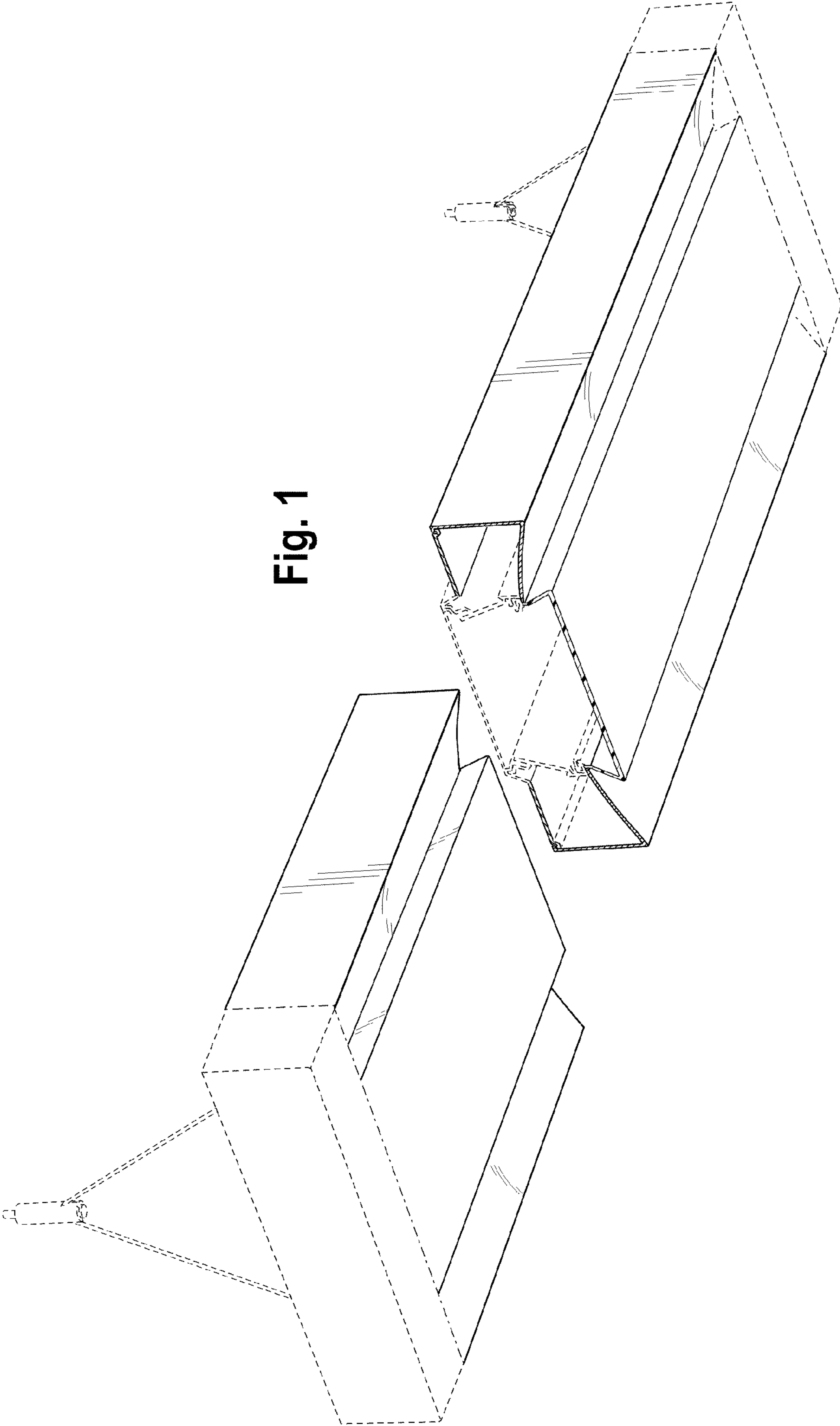


Fig. 1

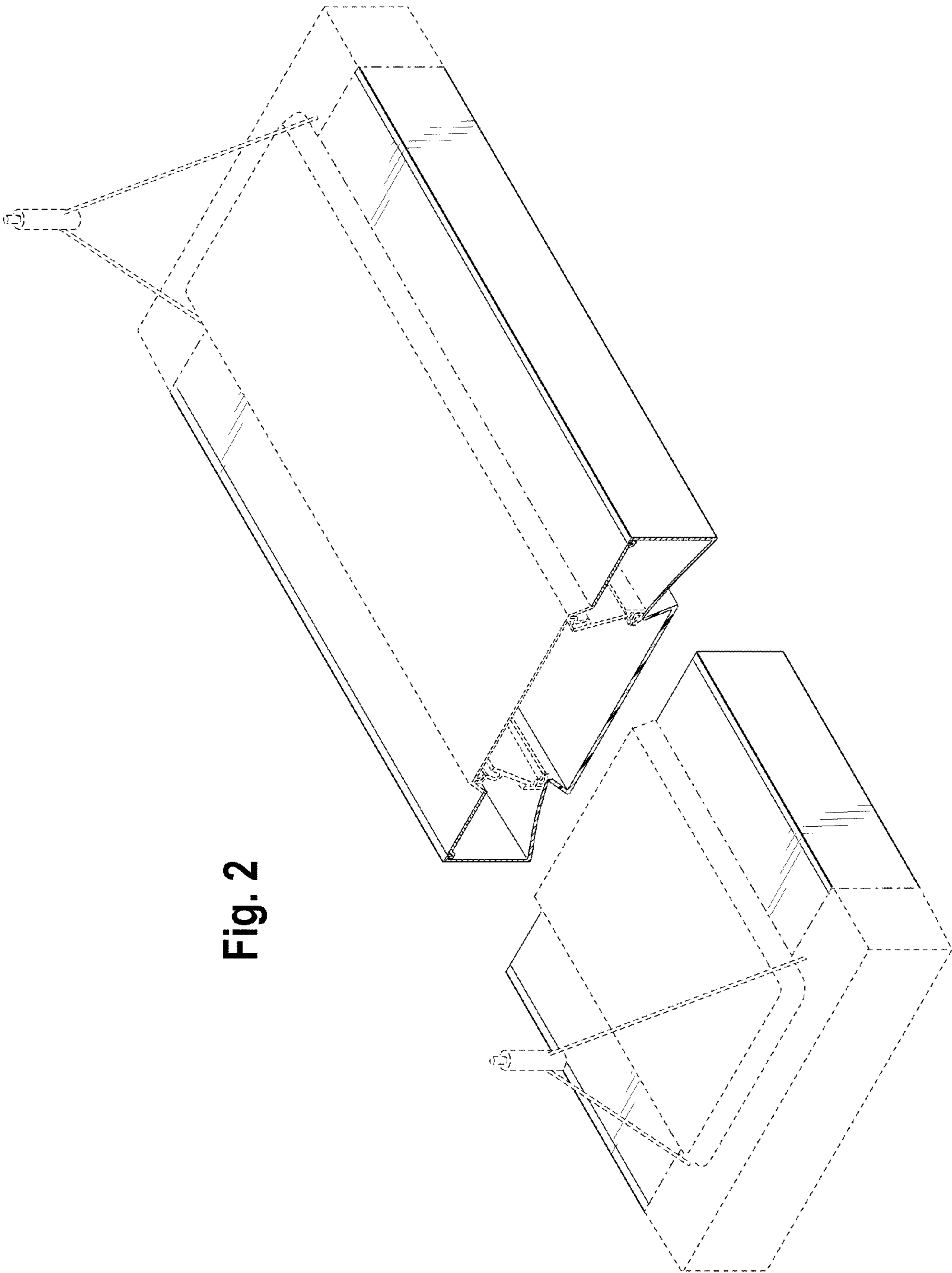


Fig. 2