



US00D646420S

(12) **United States Design Patent**  
**Chen et al.**

(10) **Patent No.:** **US D646,420 S**

(45) **Date of Patent:** **\*\* Oct. 4, 2011**

(54) **LED STREET LIGHT**

(75) Inventors: **You Chen**, Guangdong (CN); **Yan Gang Cheng**, Guangdong (CN); **Hao Li**, Guangdong (CN); **Shang Ping Xiao**, Guangdong (CN)

(73) Assignee: **Osram AG**, Munich (DE)

(\*\*) Term: **14 Years**

(21) Appl. No.: **29/380,232**

(22) Filed: **Dec. 2, 2010**

(30) **Foreign Application Priority Data**

Jun. 2, 2010 (EM) ..... 001714684  
(51) **LOC (9) Cl.** ..... **26-05**  
(52) **U.S. Cl.** ..... **D26/71**  
(58) **Field of Classification Search** ..... D26/67-71,  
D26/85, 92; 362/145, 183, 231, 240, 249.02,  
362/249.03, 249.04, 249.06, 249.16, 373,  
362/311.02, 697, 547, 431, 432  
See application file for complete search history.

(56) **References Cited**

**U.S. PATENT DOCUMENTS**

D577,455 S \* 9/2008 Zheng et al. .... D26/71  
D578,697 S \* 10/2008 Zheng et al. .... D26/71

D603,077 S \* 10/2009 Kinnune et al. .... D26/71  
D615,233 S \* 5/2010 Josefowicz et al. .... D26/71  
D615,235 S \* 5/2010 Zheng ..... D26/71  
D631,999 S \* 2/2011 Little et al. .... D26/71  
D632,000 S \* 2/2011 Little et al. .... D26/71  
D632,819 S \* 2/2011 Kong et al. .... D26/71  
D634,875 S \* 3/2011 Jiang et al. .... D26/71

\* cited by examiner

*Primary Examiner* — Clare E Heflin

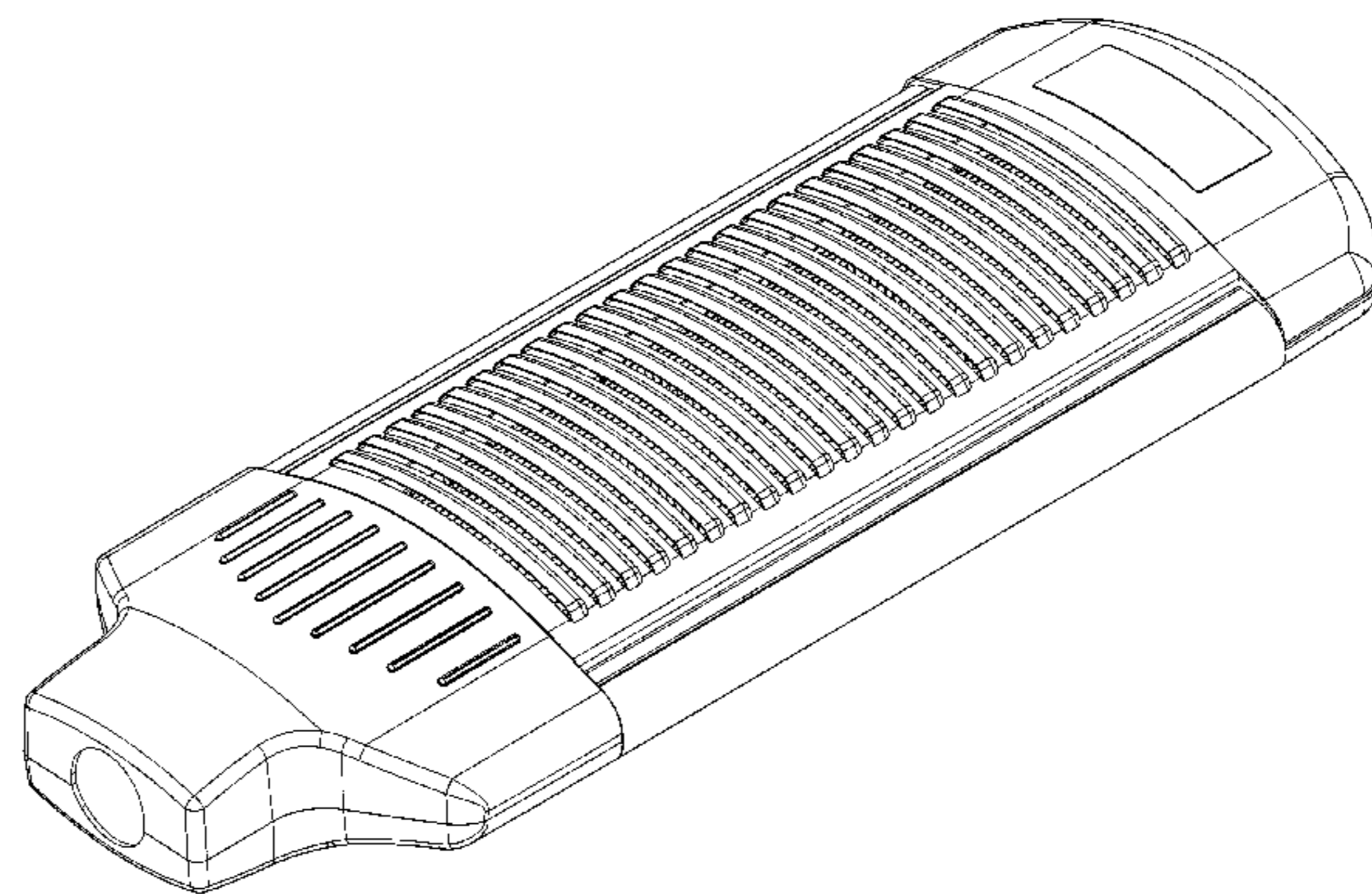
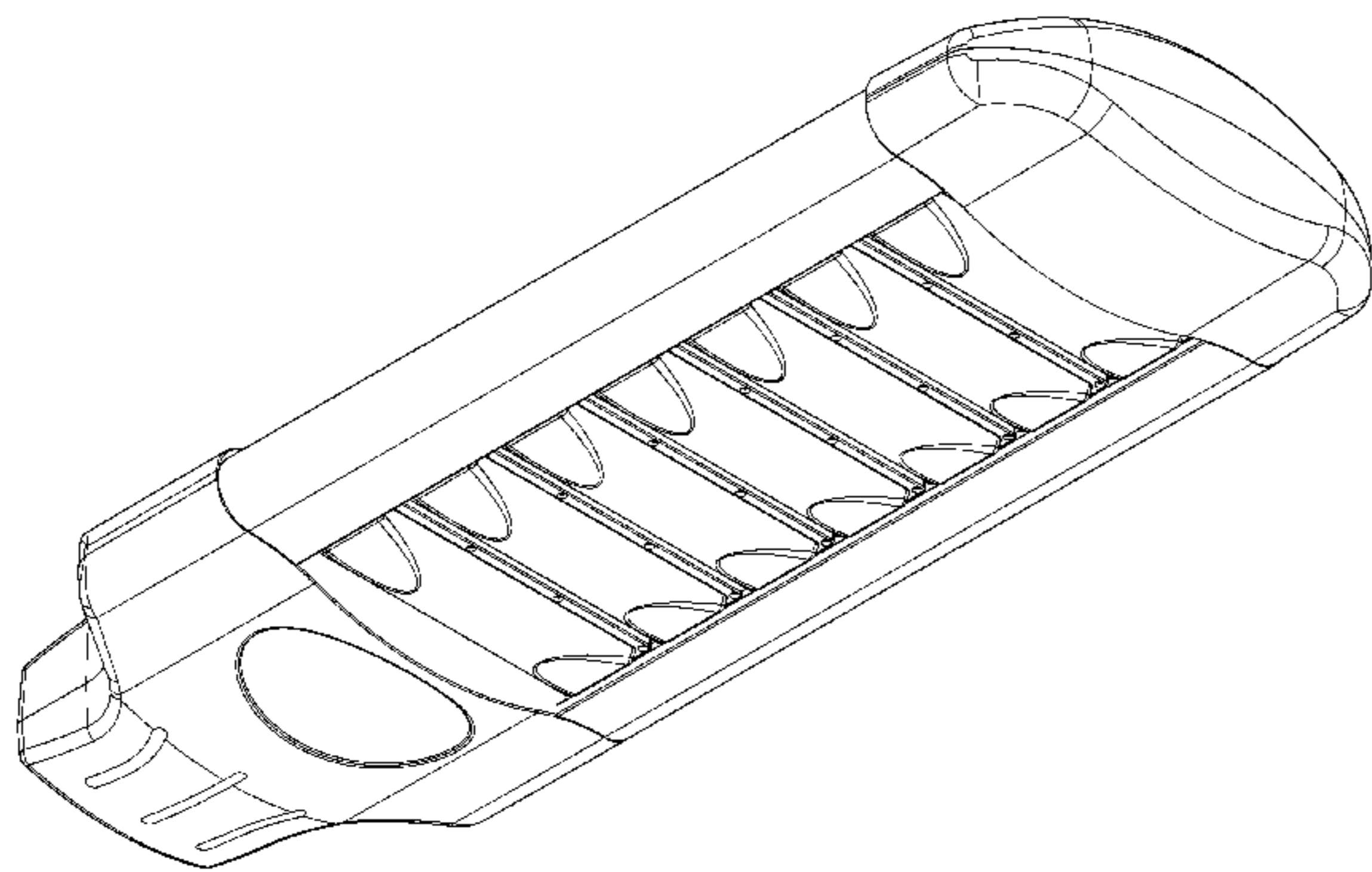
(57) **CLAIM**

The ornamental design for an LED street light, as shown and described.

**DESCRIPTION**

FIG. 1 is a perspective side bottom view of the LED street light;  
FIG. 2 is a perspective side top view of the LED street light;  
FIG. 3 is a bottom view of the LED street light;  
FIG. 4 is a top view of the LED street light;  
FIG. 5 is a right (as well as a left) side view of the LED street light;  
FIG. 6 is a front view of the LED street light; and,  
FIG. 7 is a back view of the LED street light.

**1 Claim, 7 Drawing Sheets**



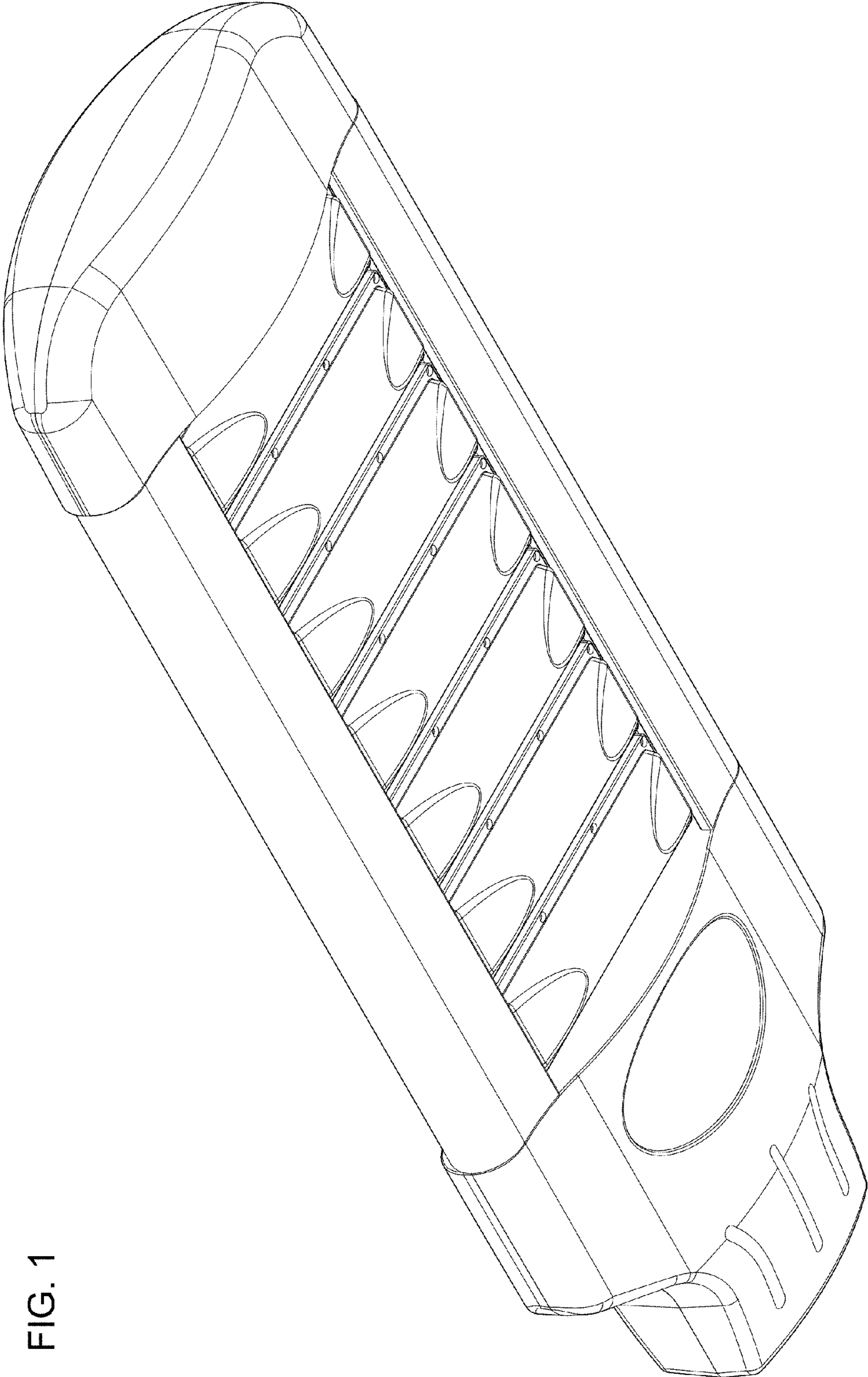


FIG. 1

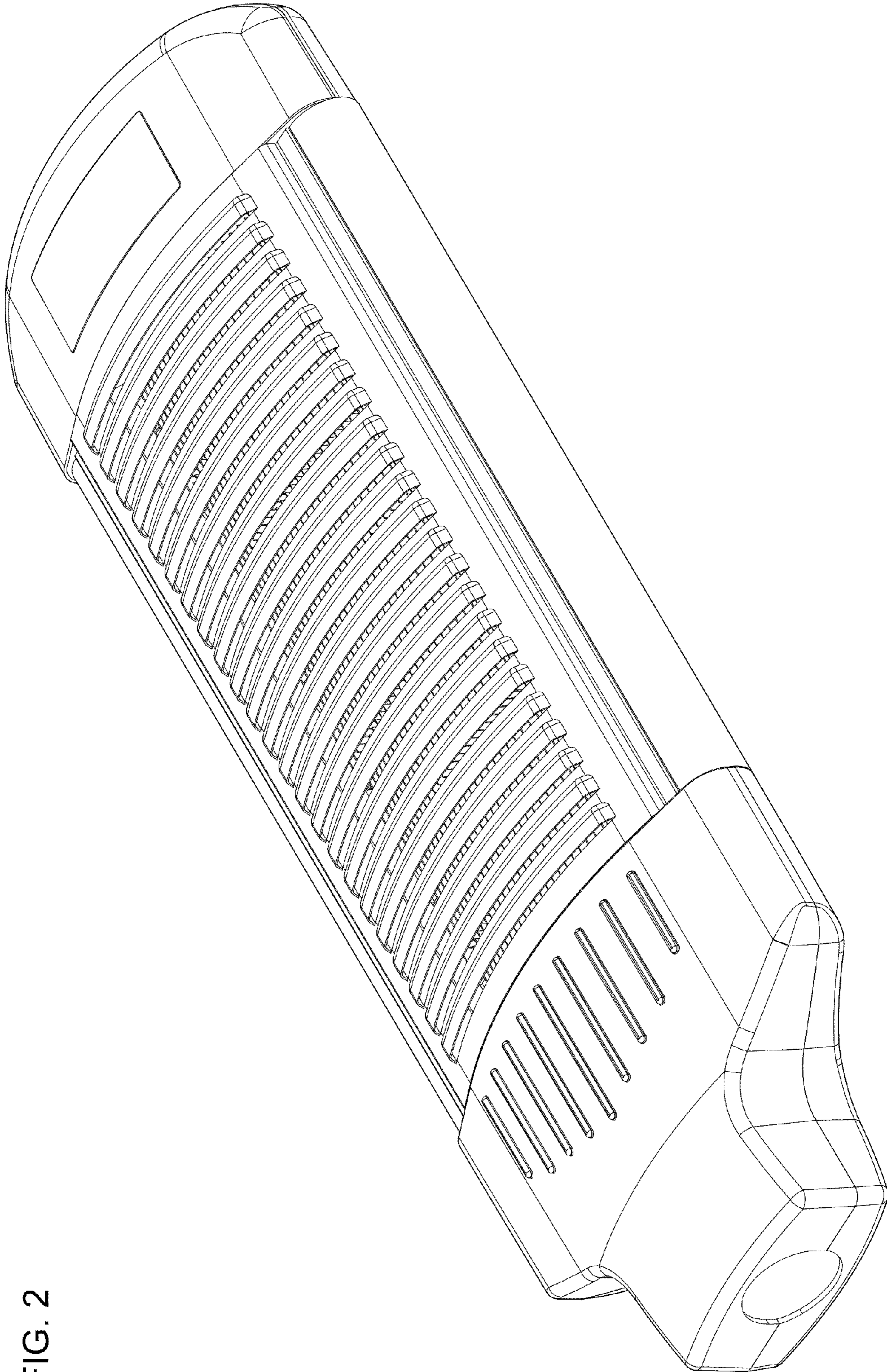


FIG. 2

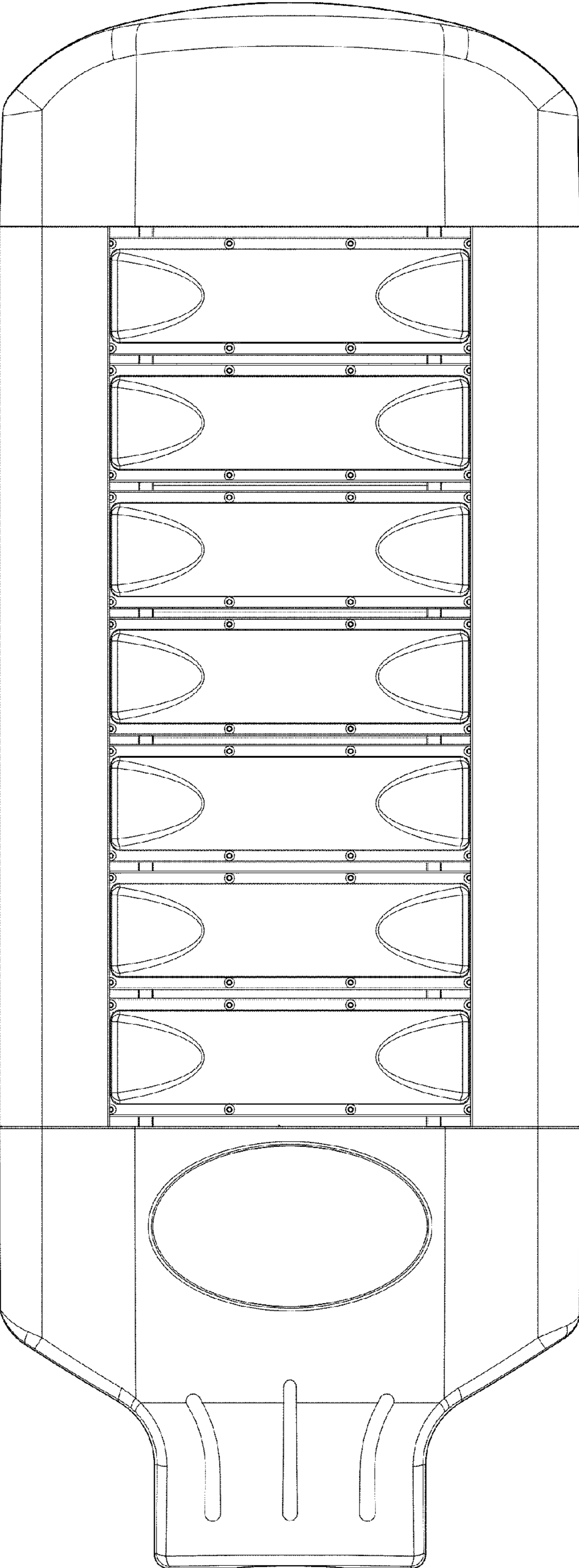


FIG. 3

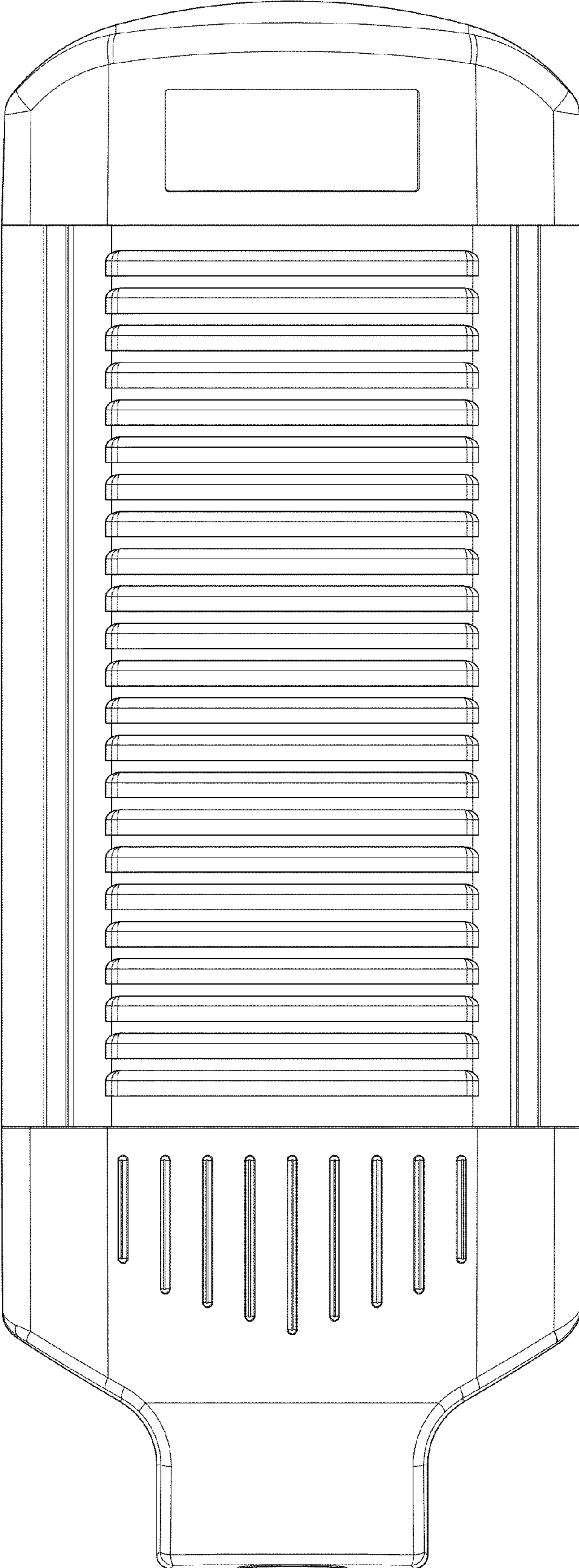


FIG. 4

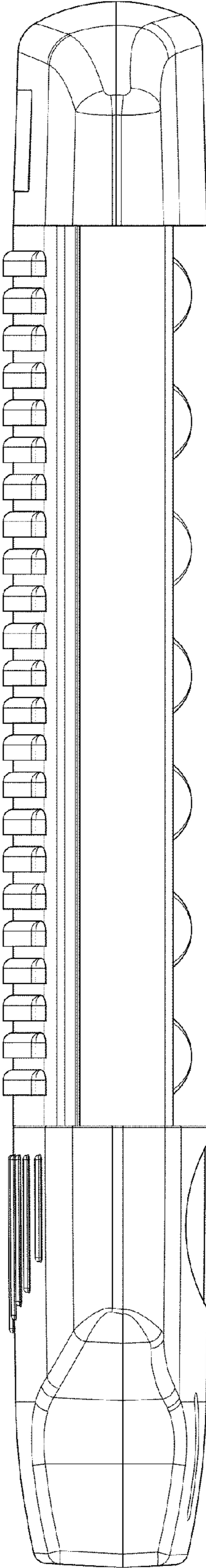


FIG. 5

FIG. 6

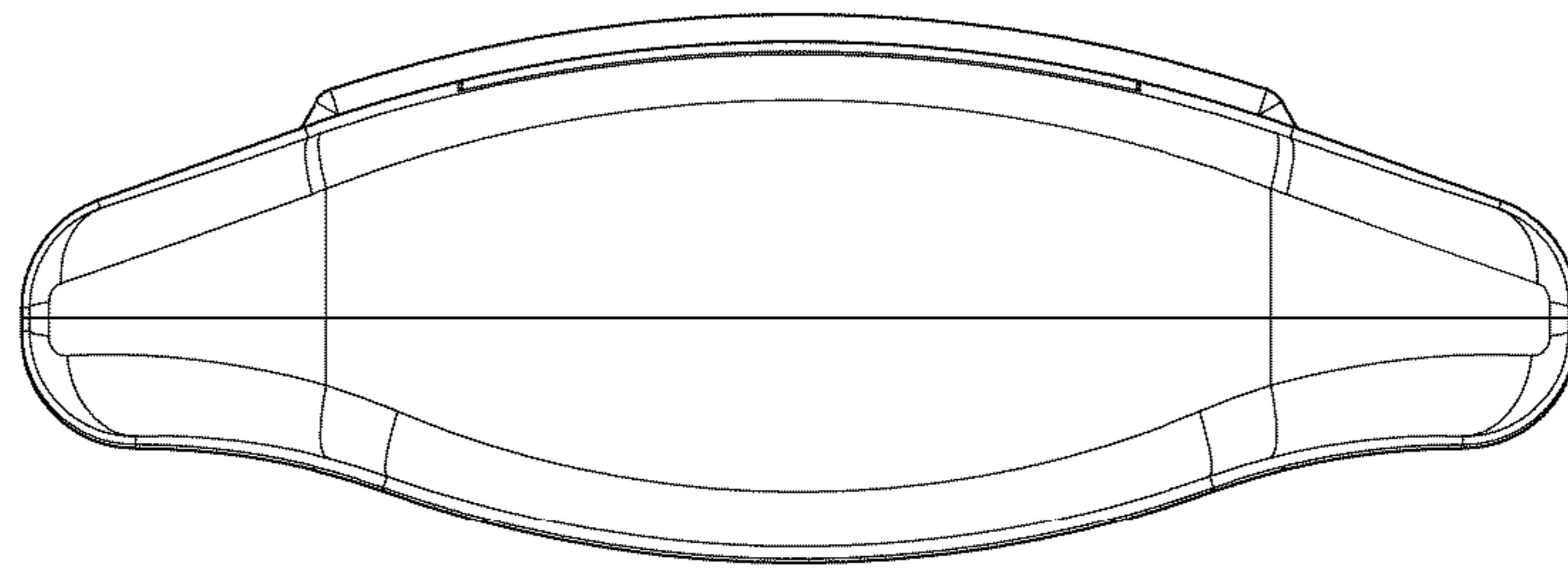


FIG. 7

