



US00D646419S

(12) **United States Design Patent**
Chiang et al.

(10) **Patent No.:** **US D646,419 S**
(45) **Date of Patent:** **** Oct. 4, 2011**

(54) **LAMPSHADE OF A STREET LAMP**

TW D131246 10/2009
TW D136970 9/2010
TW D139374 3/2011

(75) Inventors: **Jen-Ta Chiang**, Taipei (TW);
Chien-Chang Pei, Taipei (TW);
Pet-Hsuan Chen, Taipei (TW)

* cited by examiner

(73) Assignee: **Everlight Electronics Co., Ltd.**, New Taipei (TW)

Primary Examiner — Clare E Heflin

(74) *Attorney, Agent, or Firm* — Jianq Chyun IP Office

(**) Term: **14 Years**

(57) **CLAIM**

The ornamental design for a lampshade of a street lamp, as shown and described.

(21) Appl. No.: **29/363,384**

(22) Filed: **Jun. 8, 2010**

DESCRIPTION

(51) **LOC (9) Cl.** **26-05**

(52) **U.S. Cl.** **D26/71**

(58) **Field of Classification Search** D26/67-71,
D26/85, 92; 362/145, 183, 231, 240, 249.02,
362/249.03, 249.04, 249.06, 249.16, 373,
362/311.02, 697, 547, 431, 432
See application file for complete search history.

FIG. 1 is a perspective view of a lampshade of a street lamp showing the new design.

FIG. 2 is a another perspective view thereof.

FIG. 3 is a front view thereof.

FIG. 4 is a rear view thereof.

FIG. 5 is a left side view thereof.

FIG. 6 is a right side view thereof.

FIG. 7 is a top view thereof.

FIG. 8 is a bottom view thereof.

FIG. 9 is a perspective reference view of the lampshade of a street lamp in use; and,

FIG. 10 is another perspective reference view of the lampshade of a street lamp in use.

The claimed lampshade of a street lamp includes a plurality of fins parallel disposed at the top side. A plane light source such as a light emitting diode array is capable of being assembled into a recess of a bottom surface of the lampshade. The claimed lampshade further includes a housing protrudely disposed from the bottom surface of the lampshade.

The broken lines shown on the drawings depict environment only and form no part of the claimed design.

(56) **References Cited**

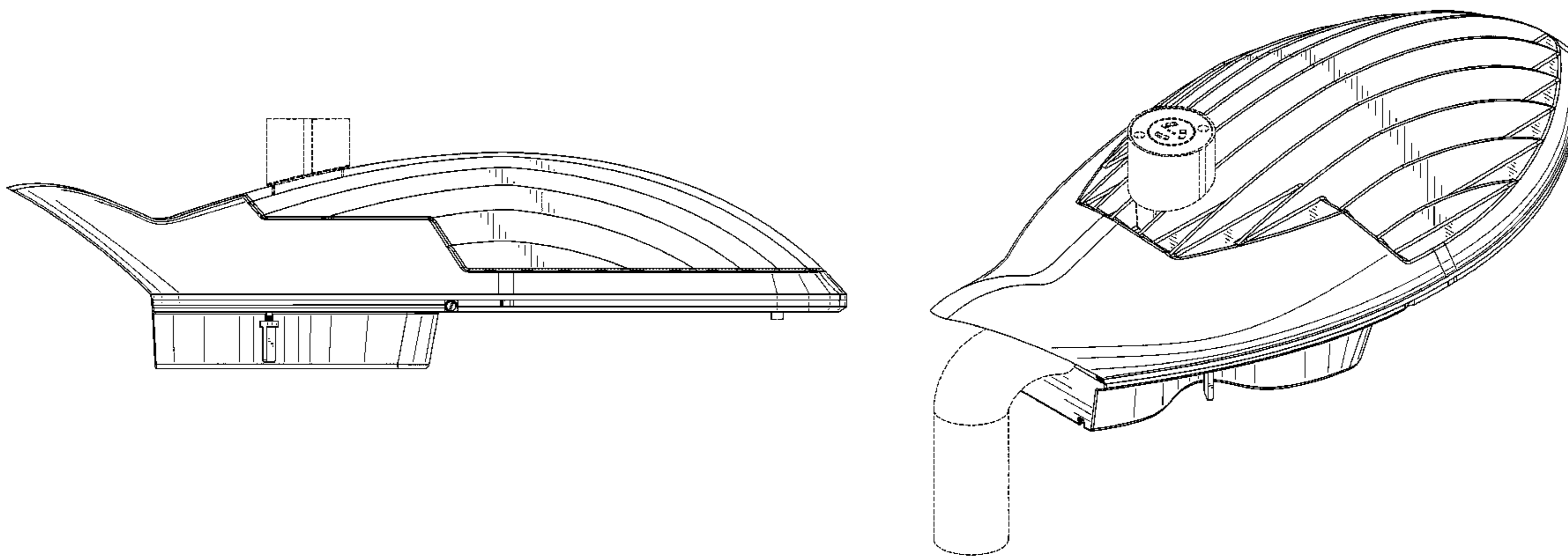
U.S. PATENT DOCUMENTS

D439,695	S	*	3/2001	Compton et al.	D26/87
D573,741	S	*	7/2008	Lou	D26/71
7,420,811	B2	*	9/2008	Chan	362/294
D599,939	S	*	9/2009	Zheng et al.	D26/71
D600,846	S		9/2009	Hsu et al.		
D608,927	S		1/2010	Hsu et al.		
D609,383	S	*	2/2010	Chang	D26/71
D622,889	S	*	8/2010	Zheng	D26/71
D631,181	S	*	1/2011	Laporte et al.	D26/71
D631,591	S	*	1/2011	Tortel	D26/71
D636,518	S	*	4/2011	Nevins	D26/71

FOREIGN PATENT DOCUMENTS

JP	D1247664	8/2005
TW	552067	9/2003

1 Claim, 10 Drawing Sheets



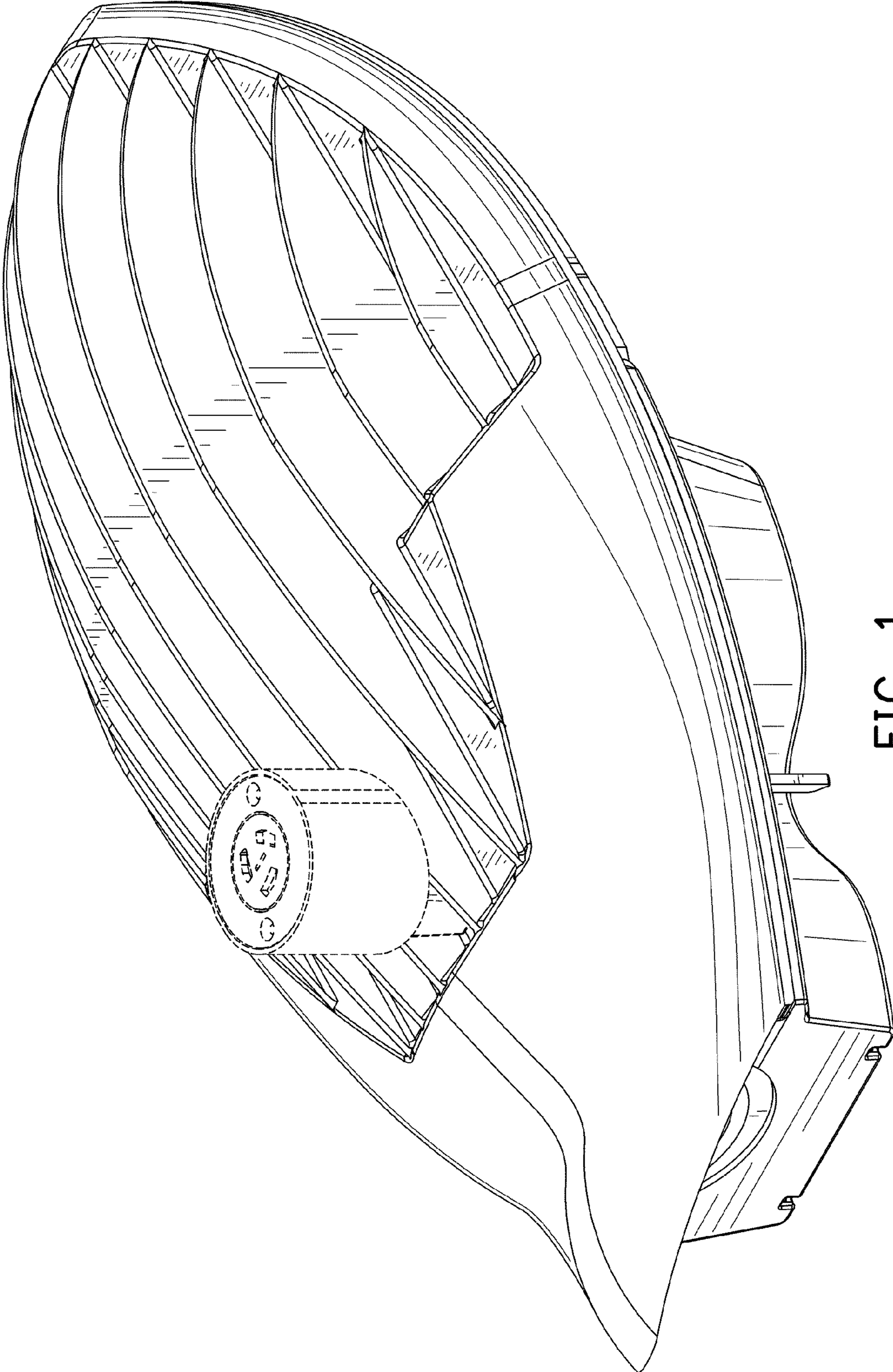


FIG. 1

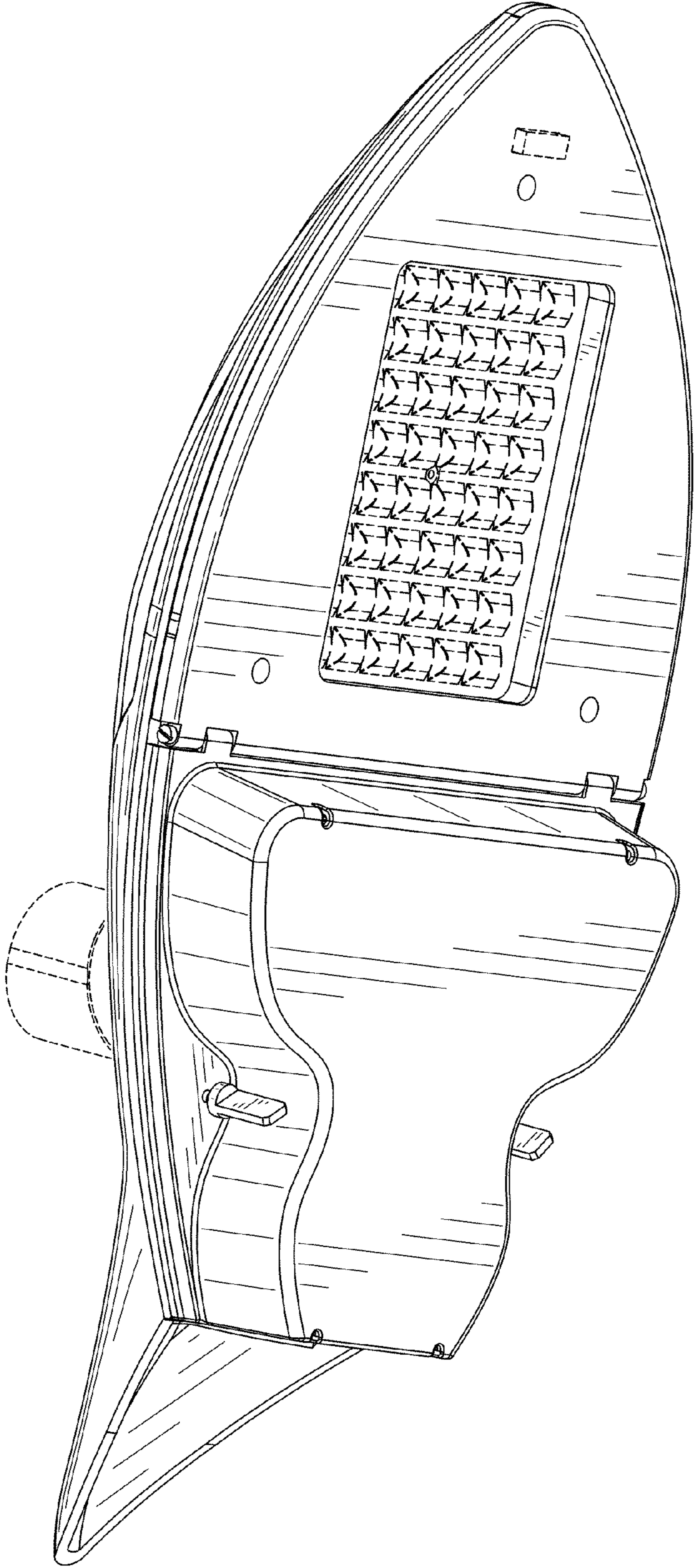


FIG. 2

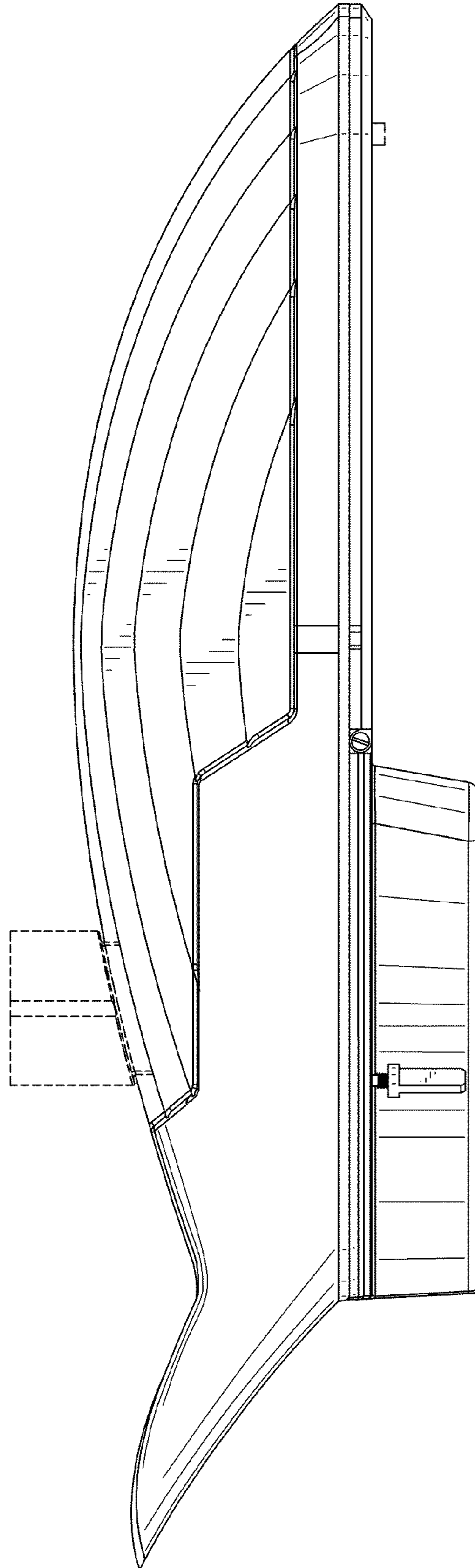


FIG. 3

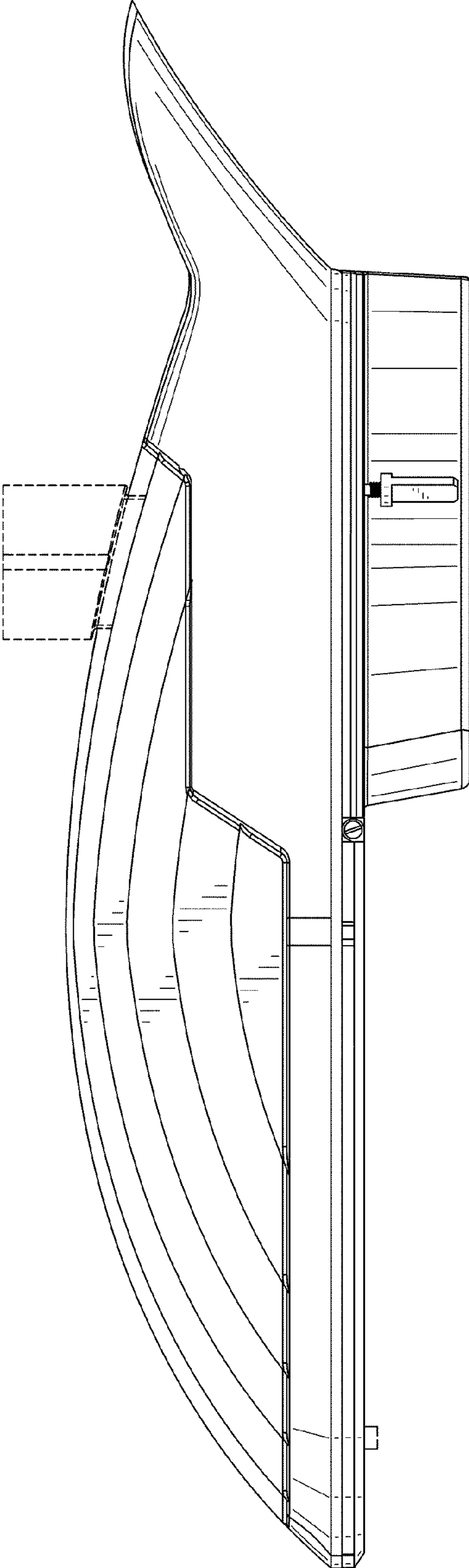


FIG. 4

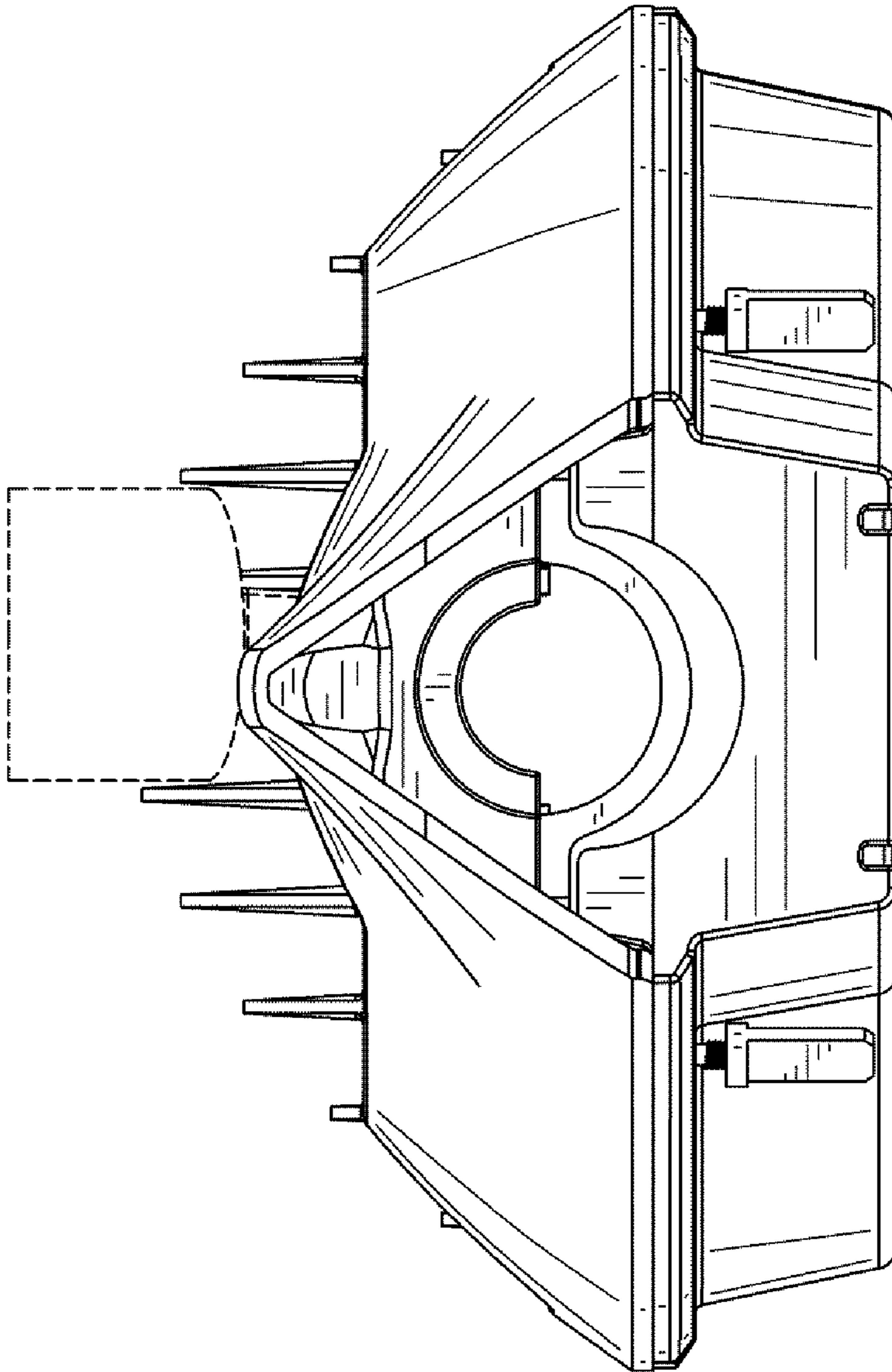


FIG. 5

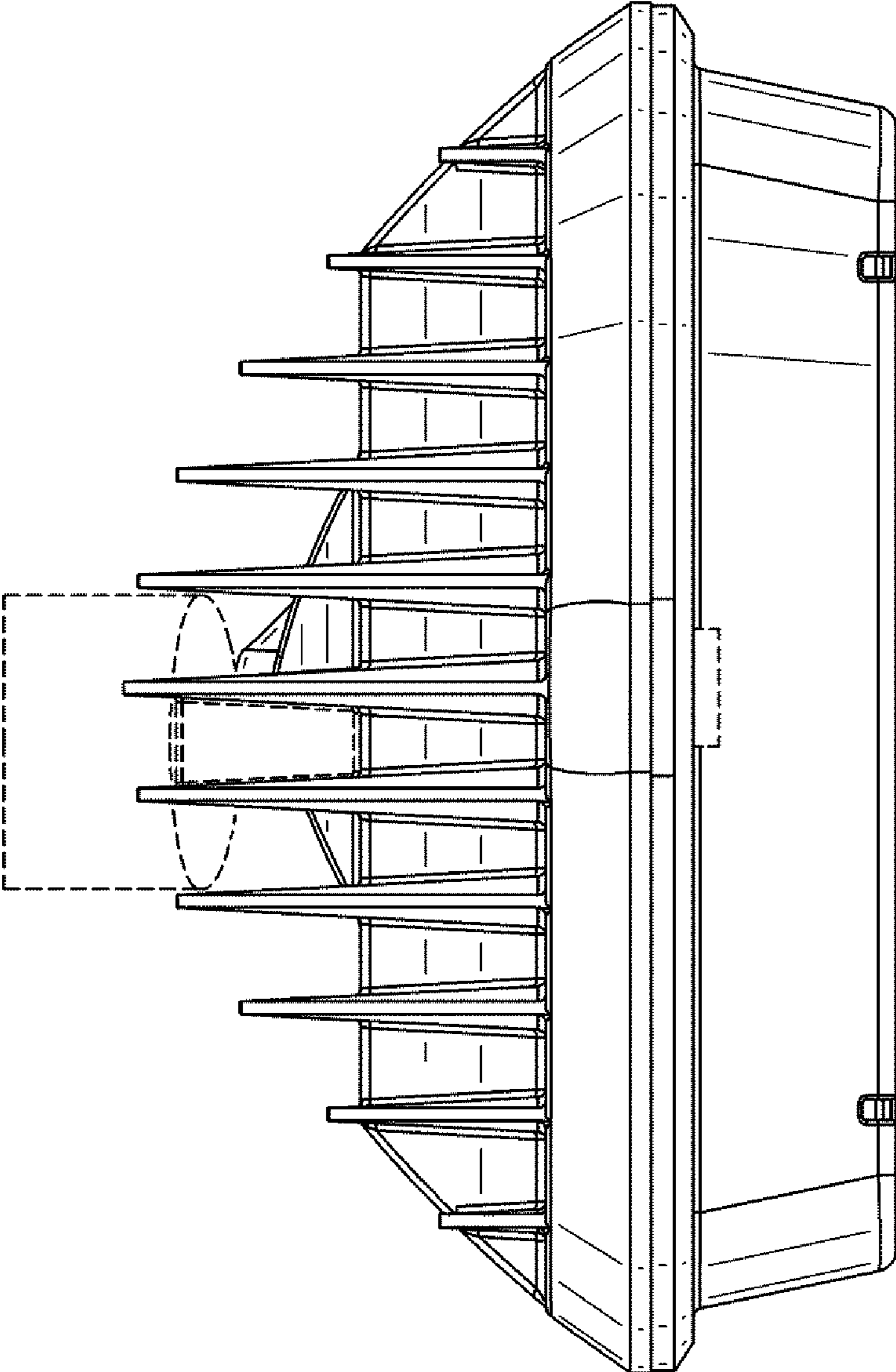


FIG. 6

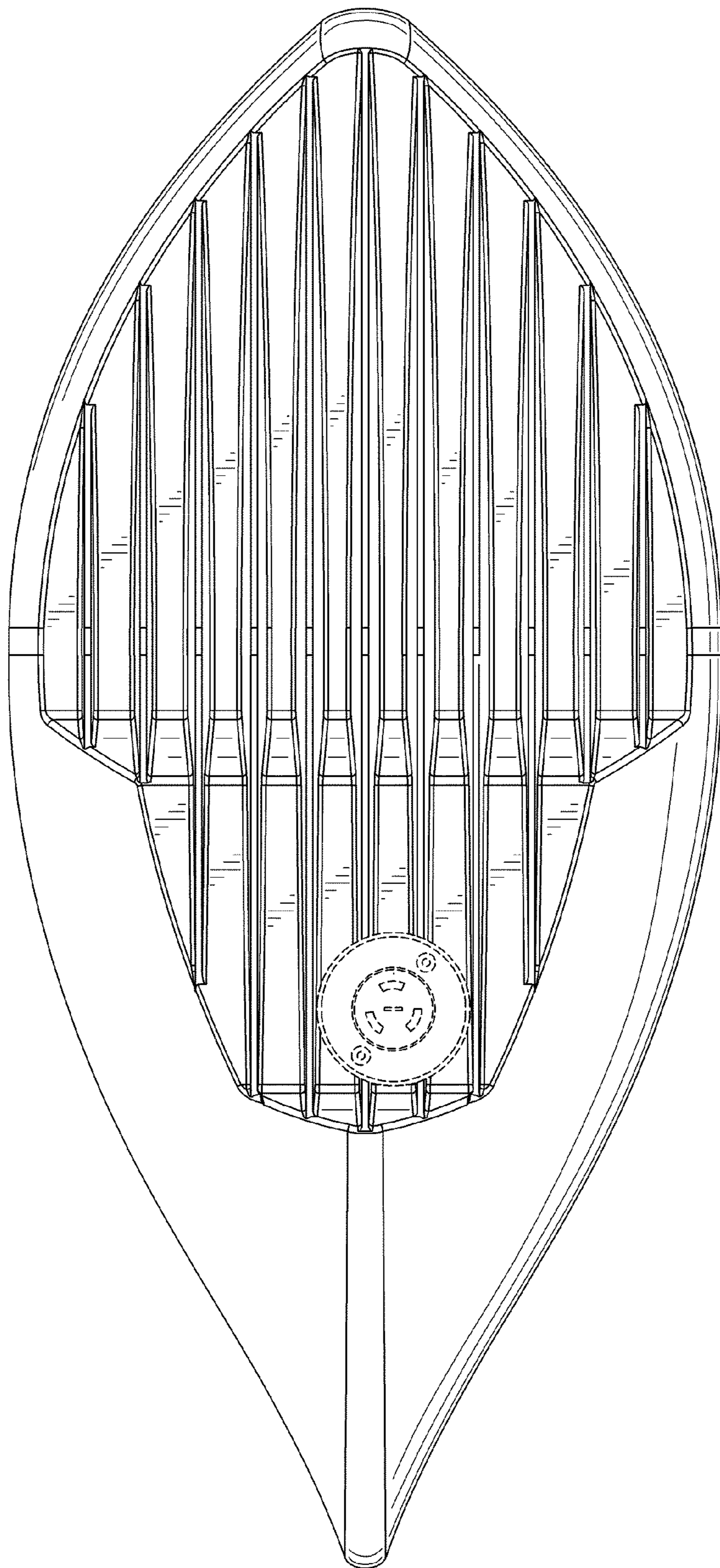


FIG. 7

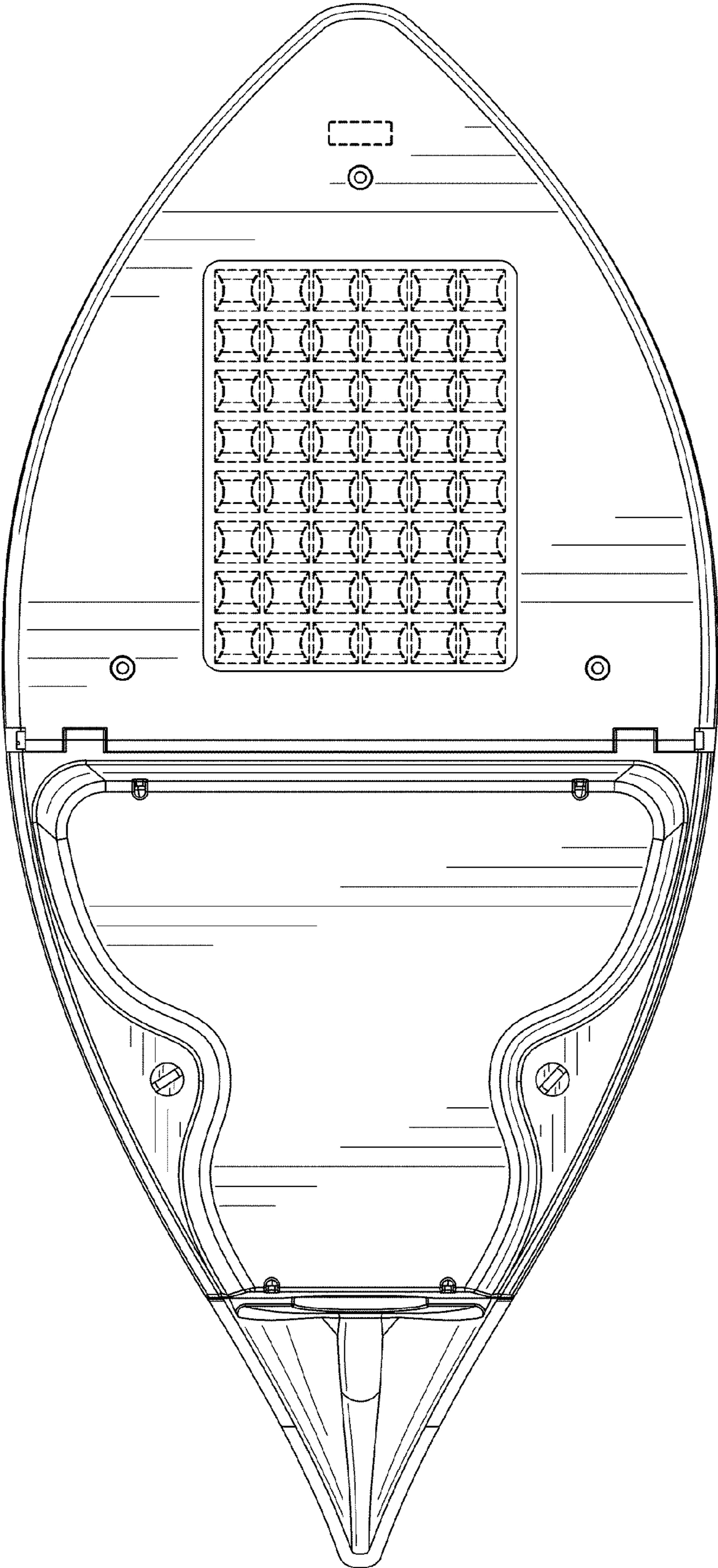


FIG. 8

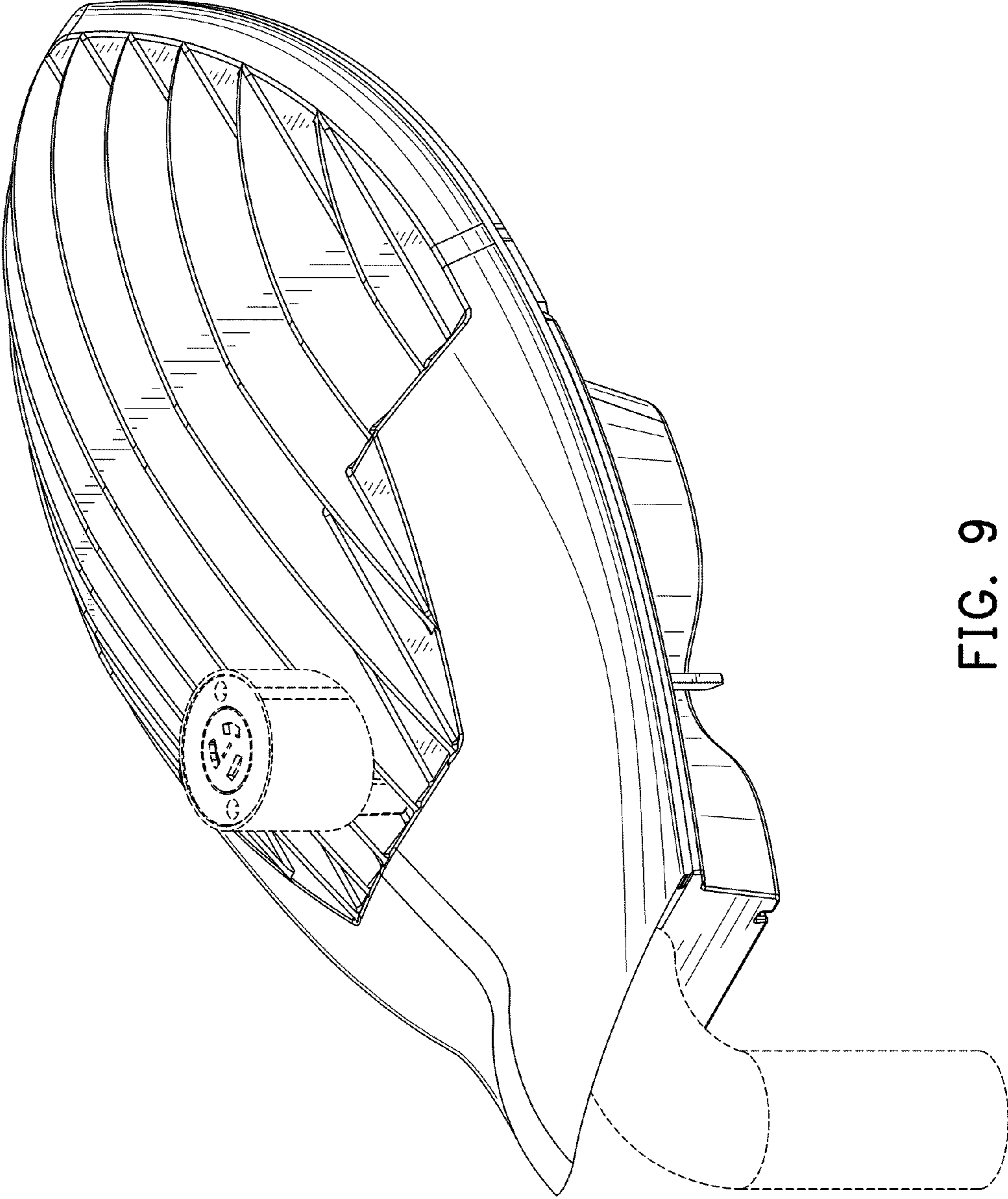


FIG. 9

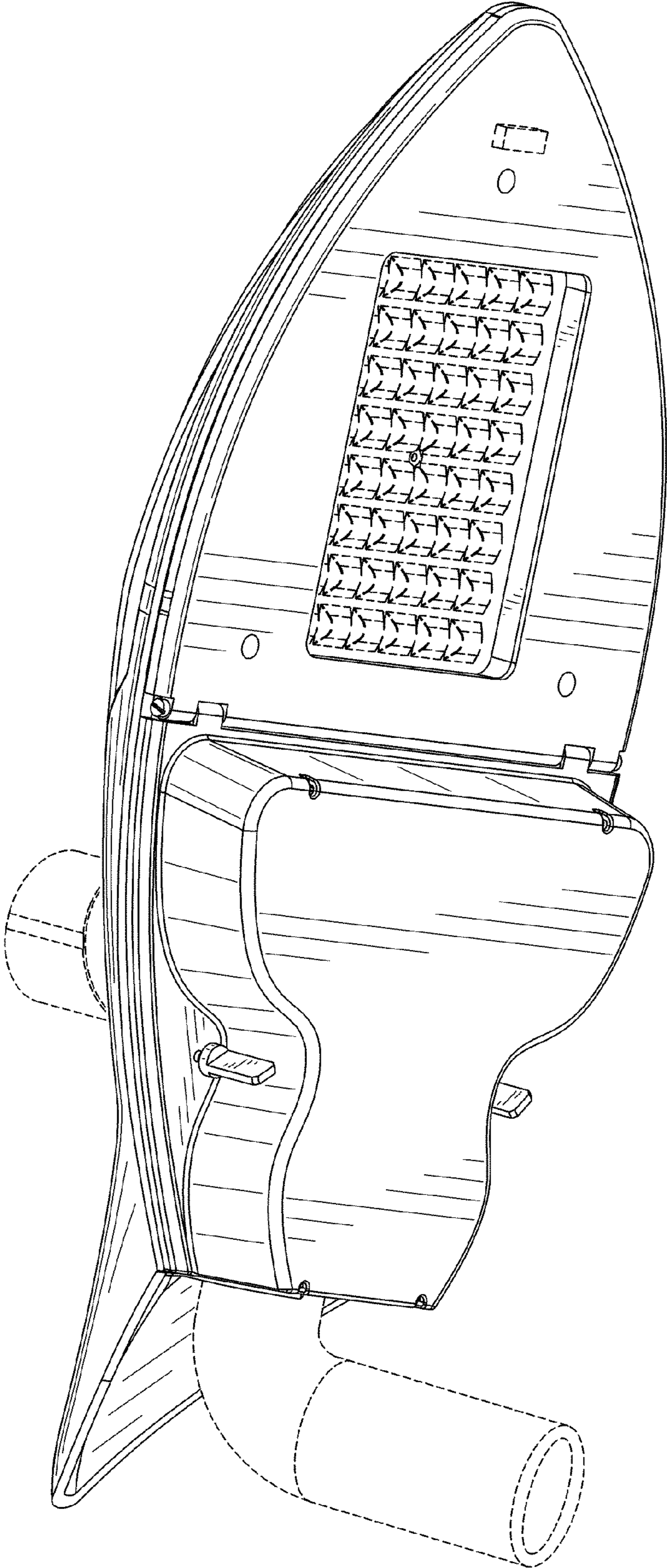


FIG. 10