



US00D646418S

(12) **United States Design Patent**  
**Yamada**

(10) **Patent No.:** **US D646,418 S**  
(45) **Date of Patent:** **\*\* Oct. 4, 2011**

(54) **SPOTLIGHT**

(75) Inventor: **Hirokazu Yamada**, Kanagawa (JP)

(73) Assignees: **Toshiba Lighting & Technology Corporation**, Kanagawa (JP);  
**Kabushiki Kaisha Toshiba**, Tokyo (JP)

(\*\*) Term: **14 Years**

(21) Appl. No.: **29/386,647**

(22) Filed: **Mar. 3, 2011**

(30) **Foreign Application Priority Data**

Sep. 21, 2010 (JP) ..... 2010-022620

(51) **LOC (9) Cl.** ..... **26-05**

(52) **U.S. Cl.** ..... **D26/63**

(58) **Field of Classification Search** ..... D26/61-66,  
D26/72, 80, 81, 83-92, 104, 118, 93; 362/145,  
362/147, 148, 227, 232, 235-239, 249.02,  
362/249.03, 249.07, 249.1, 249.11, 257,  
362/267-270, 277, 278, 285, 287, 311.02,  
362/319, 432, 404, 418, 800, 640, 647, 648,  
362/653, 311.13, 806, 282, 311.01

See application file for complete search history.

(56) **References Cited**

U.S. PATENT DOCUMENTS

D374,496 S *	10/1996	Small et al. ....	D26/63
D493,243 S *	7/2004	Burnet .....	D26/63
D586,491 S *	2/2009	Levine .....	D26/63
7,845,827 B2 *	12/2010	Tarter et al. ....	362/247
D637,751 S *	5/2011	Chiu .....	D26/63

\* cited by examiner

*Primary Examiner* — Susan M Lee

*Assistant Examiner* — Linda G. Brooks

(74) *Attorney, Agent, or Firm* — J.C. Patents

(57) **CLAIM**

The ornamental design for a spotlight, as shown and described.

**DESCRIPTION**

FIG. 1 is a perspective view of a spotlight showing my new design;

FIG. 2 is a front view thereof;

FIG. 3 is a rear view thereof;

FIG. 4 is a right side view thereof, the left side view being a mirror image of the right side view;

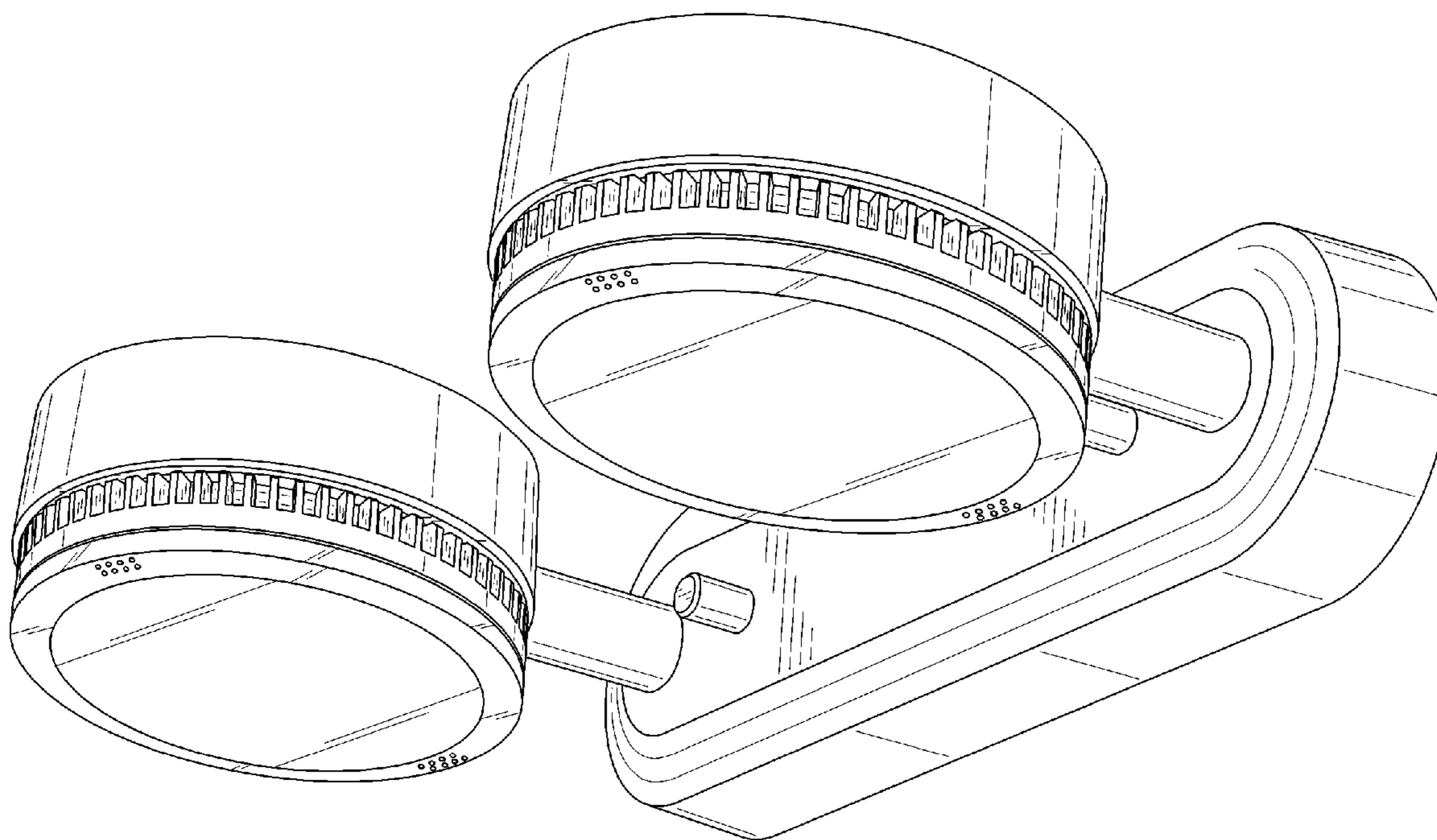
FIG. 5 is a top view thereof;

FIG. 6 is a bottom view thereof; and,

FIG. 7 is an enlarged cross-sectional view taken along line 7-7 in FIG. 2.

The portion shown in double cross-hatched lines in FIG. 7 is pervious to light.

**1 Claim, 7 Drawing Sheets**



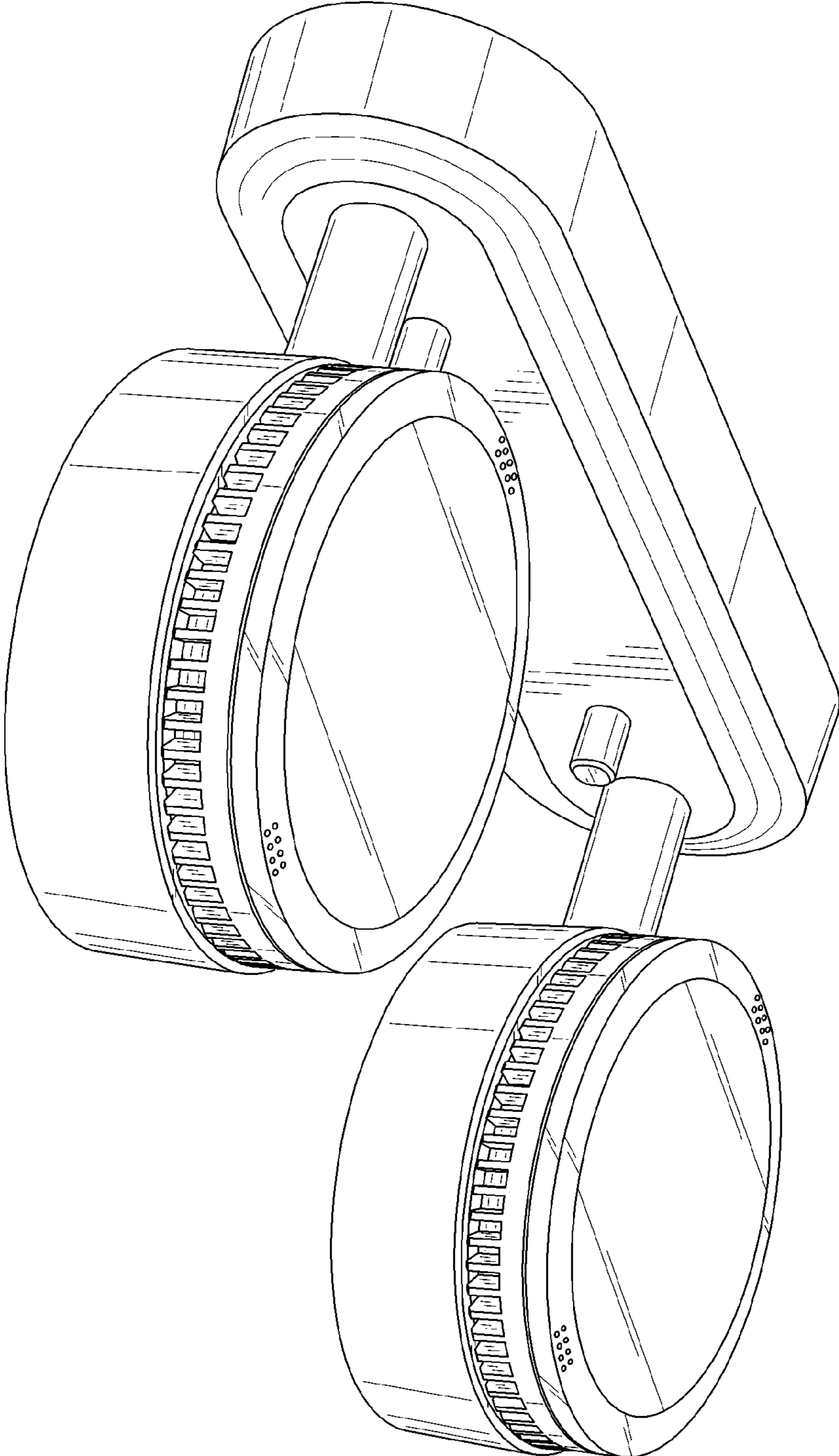


FIG. 1

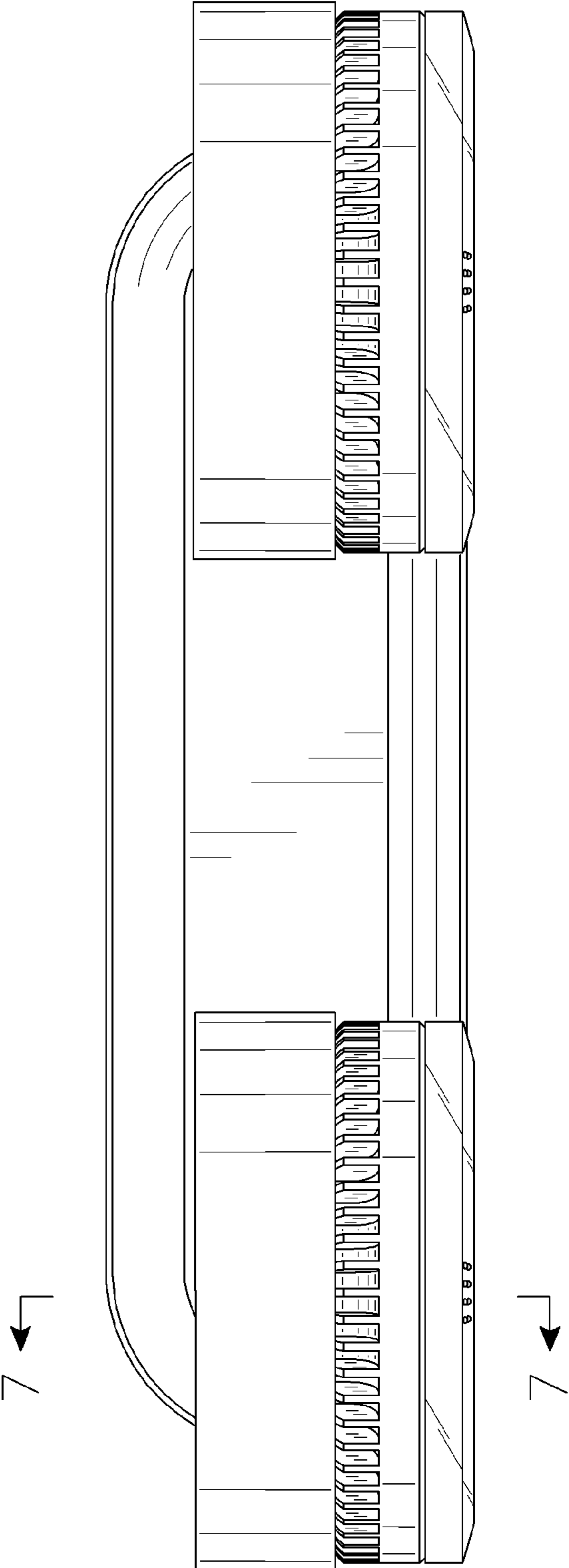


FIG. 2

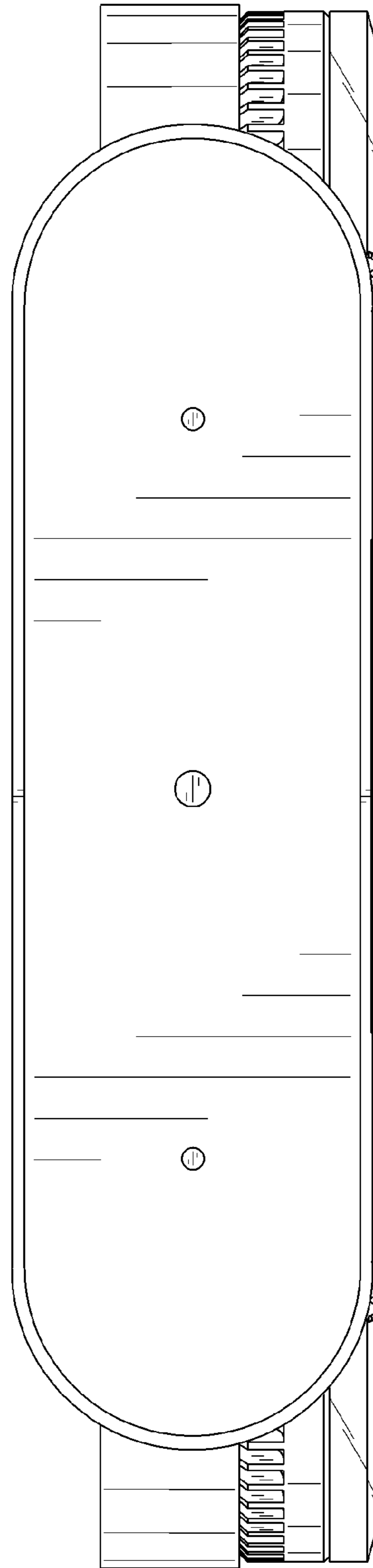


FIG. 3

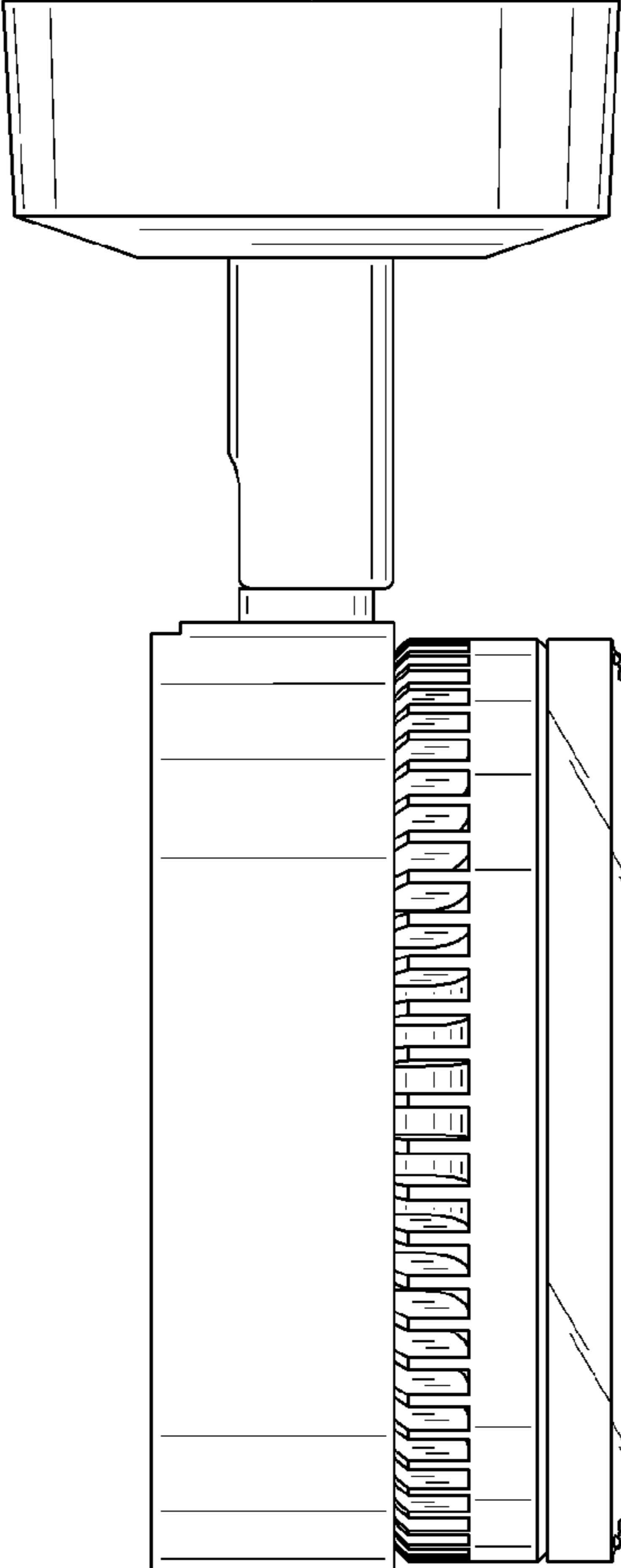


FIG. 4

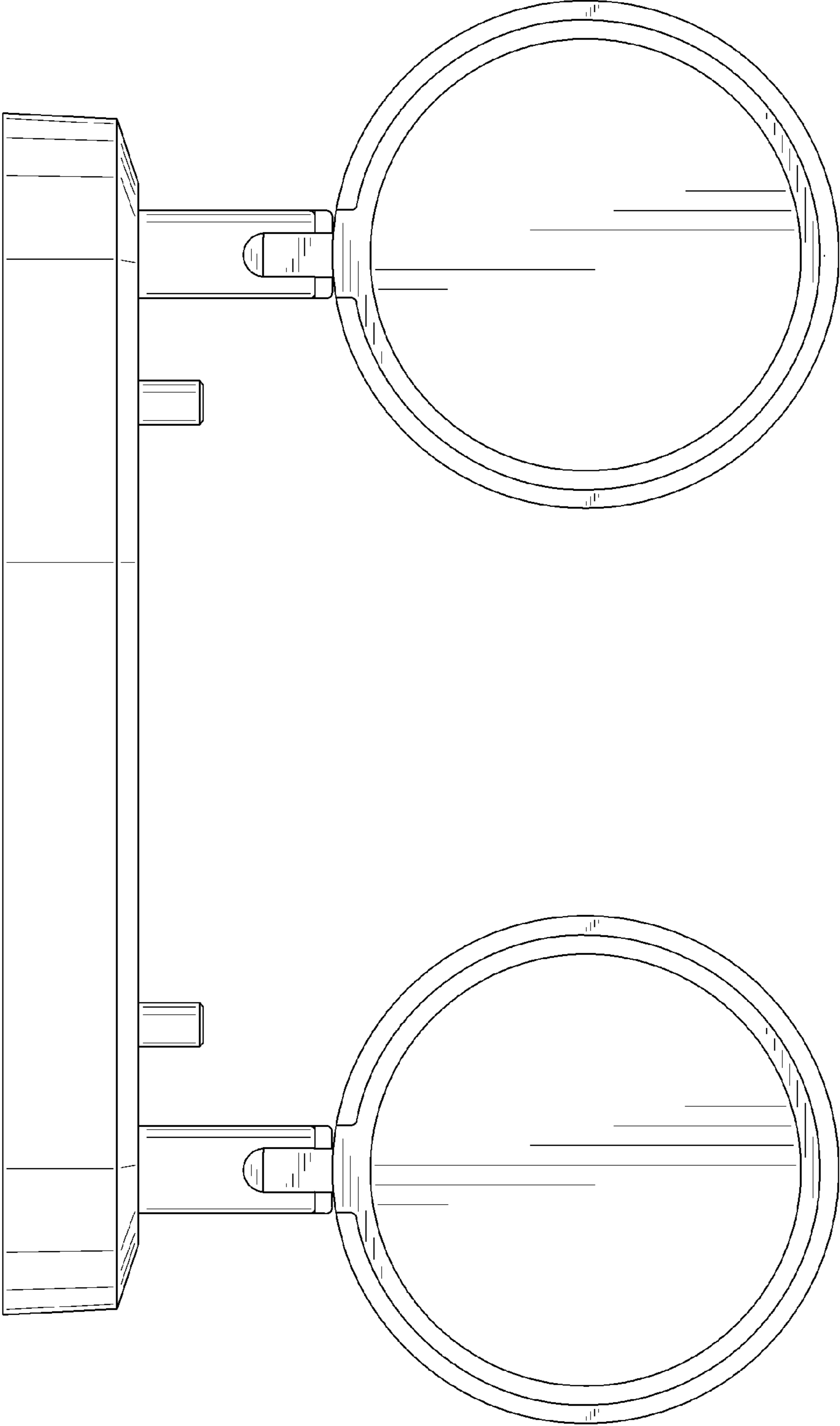


FIG. 5

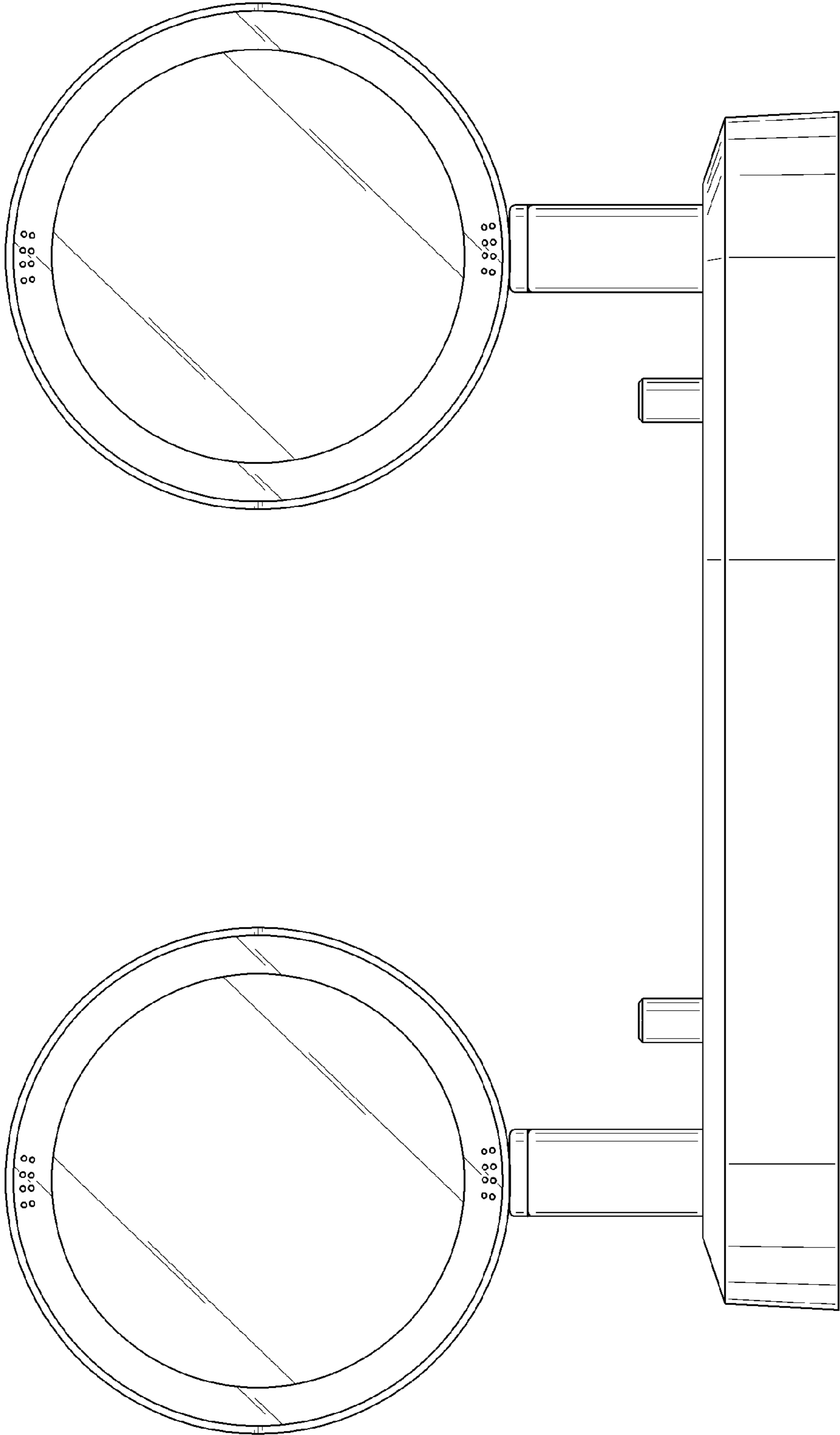


FIG. 6

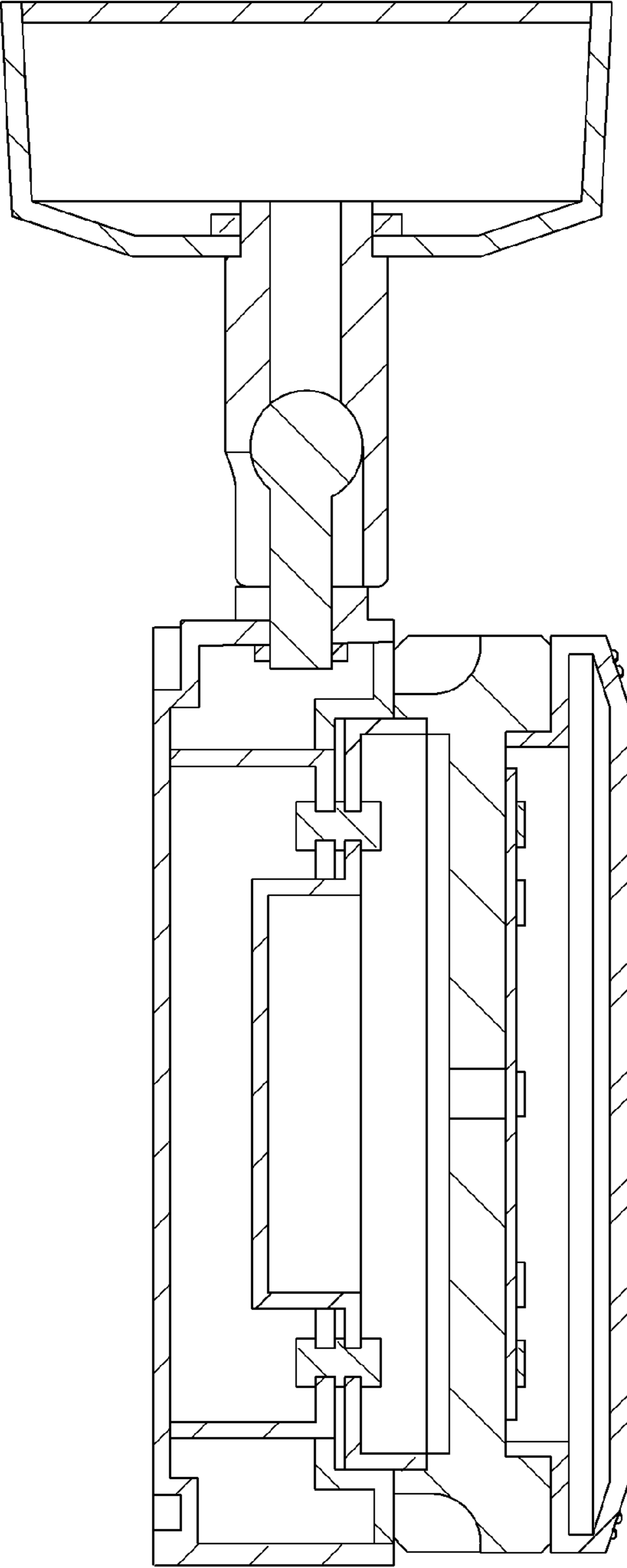


FIG. 7