



US00D646411S

(12) **United States Design Patent**
Tuli

(10) **Patent No.:** **US D646,411 S**

(45) **Date of Patent:** **** Oct. 4, 2011**

(54) **LED LANTERN**

(75) Inventor: **Sanjeev Tuli**, Moonachie, NJ (US)

(73) Assignee: **Style Asia Inc.**, Moonachie, NJ (US)

(**) Term: **14 Years**

(21) Appl. No.: **29/372,755**

(22) Filed: **Jan. 7, 2011**

(51) **LOC (9) Cl.** **26-02**

(52) **U.S. Cl.** **D26/40**

(58) **Field of Classification Search** D26/37,
D26/38, 39, 40, 41, 43, 44, 46, 49; 362/171-174,
362/157, 158, 184-199, 202-208

See application file for complete search history.

(56) **References Cited**

U.S. PATENT DOCUMENTS

D42,488	S	*	5/1912	McArthur, Jr.	D26/41
1,985,517	A	*	12/1934	Beckman et al.	362/173
2,004,826	A	*	6/1935	Nier	362/171
D101,113	S	*	9/1936	Gerth et al.	D26/41
2,054,878	A	*	9/1936	Embury	362/171

2,105,292	A	*	1/1938	Nier	362/171
2,128,767	A	*	8/1938	Currie	362/171
D111,578	S	*	10/1938	Frederico	D26/41

* cited by examiner

Primary Examiner — Ian Simmons

Assistant Examiner — Carissa C Fitts

(74) *Attorney, Agent, or Firm* — Galgano & Associates, PLLC; Thomas M. Galgano; Myron Amer

(57) **CLAIM**

The ornamental design for a LED lantern, as shown and described.

DESCRIPTION

FIG. 1 is a front elevational view of a LED lantern showing my new design;

FIG. 2 is a rear elevational view thereof;

FIG. 3 is a left side elevational view thereof;

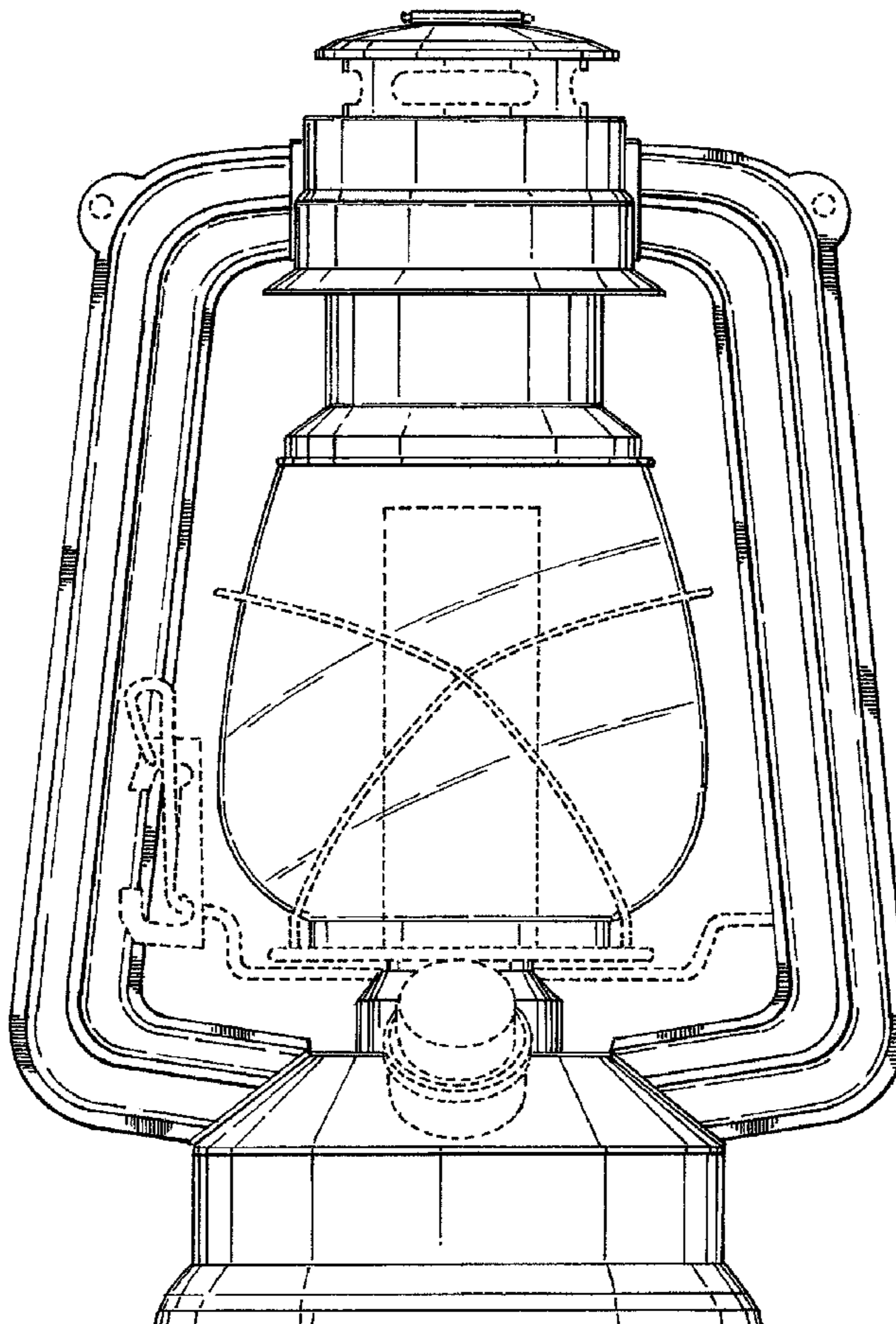
FIG. 4 is a right side elevational view thereof;

FIG. 5 is a top plan view thereof; and,

FIG. 6 is a bottom view thereof.

The broken line showing of lantern-supporting structure in FIGS. 1-5 and a battery compartment cover in FIG. 6 is for illustrative purposes only and forms no part of the claimed design.

1 Claim, 5 Drawing Sheets



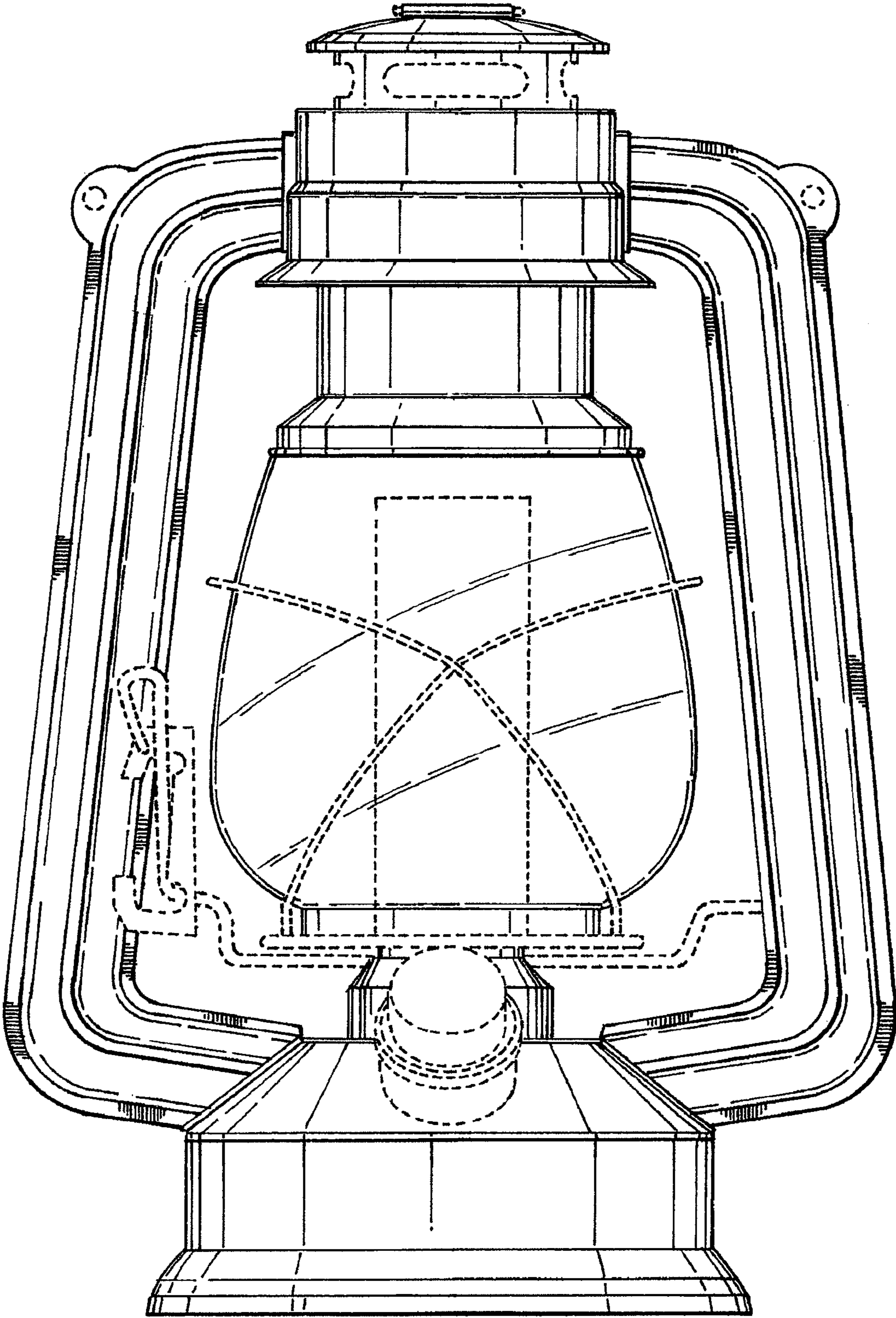


Fig. 1

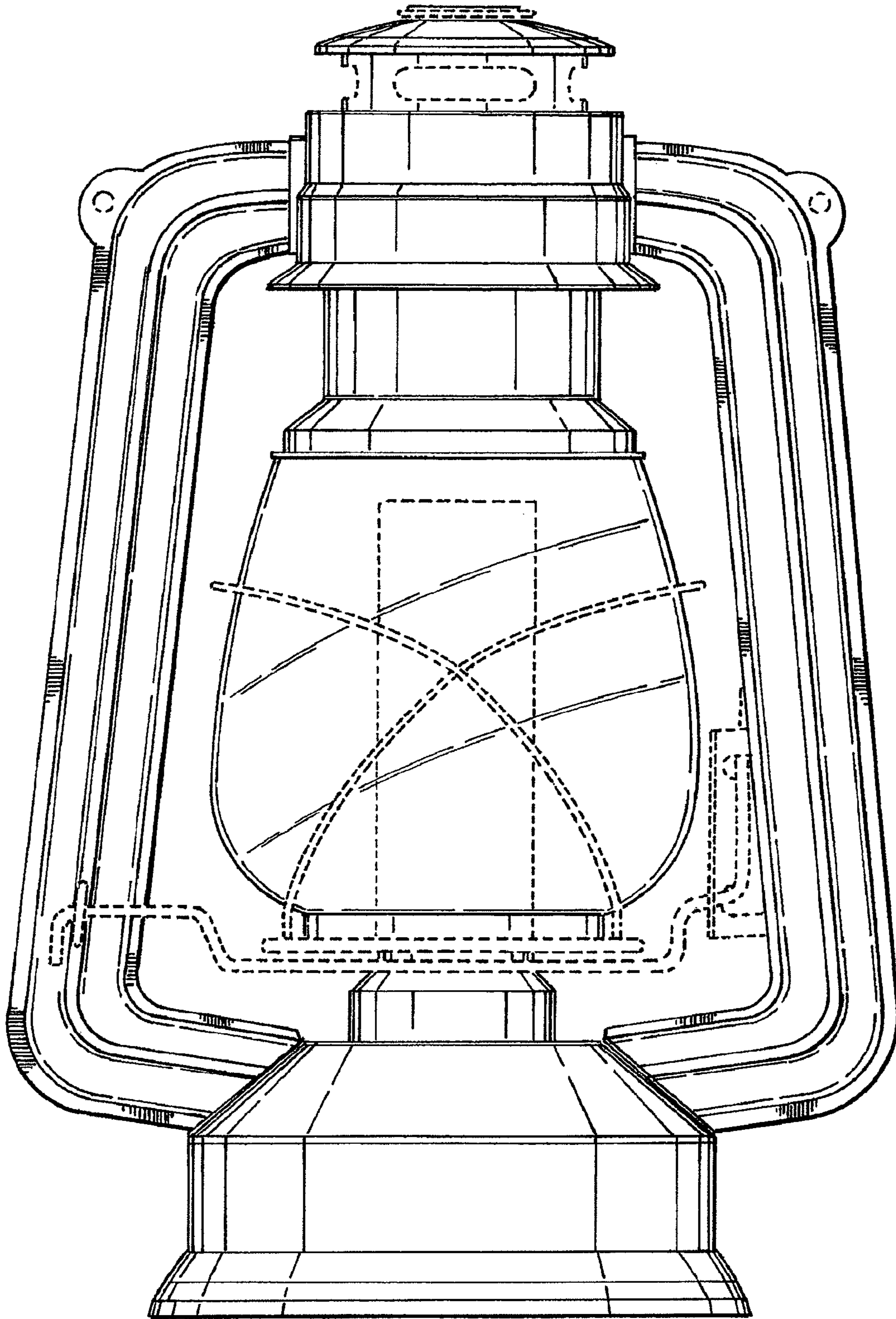


Fig. 2

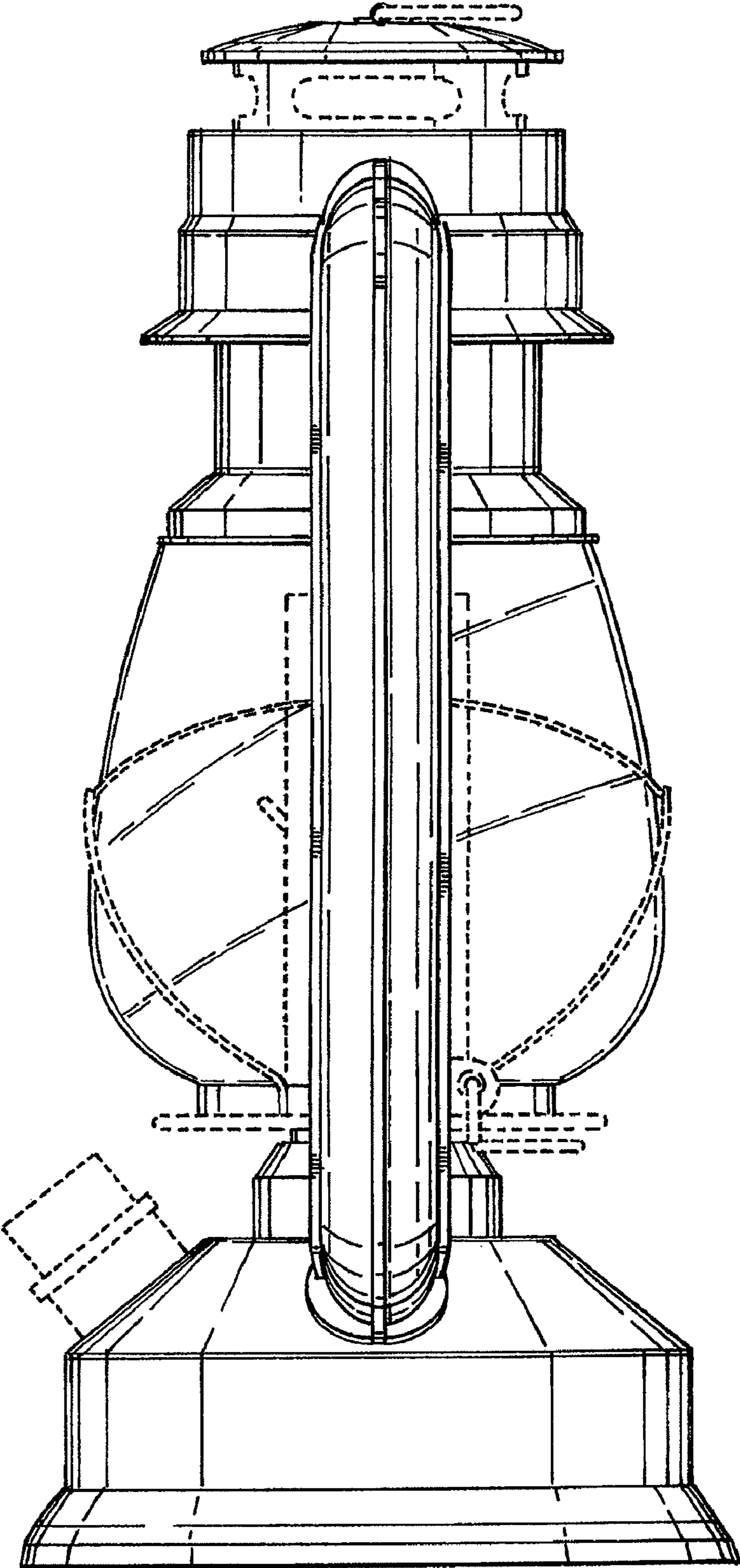


Fig. 3

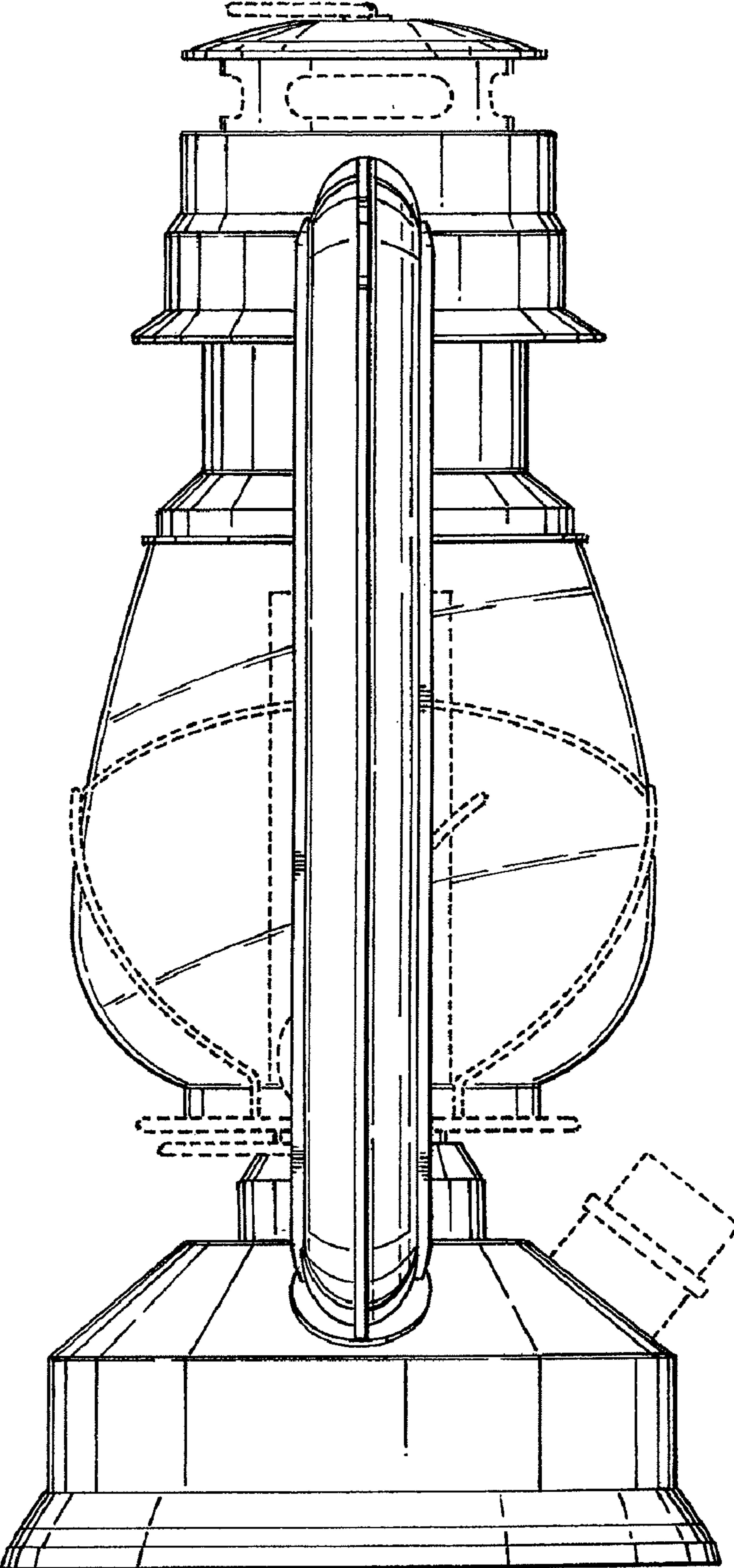


Fig. 4

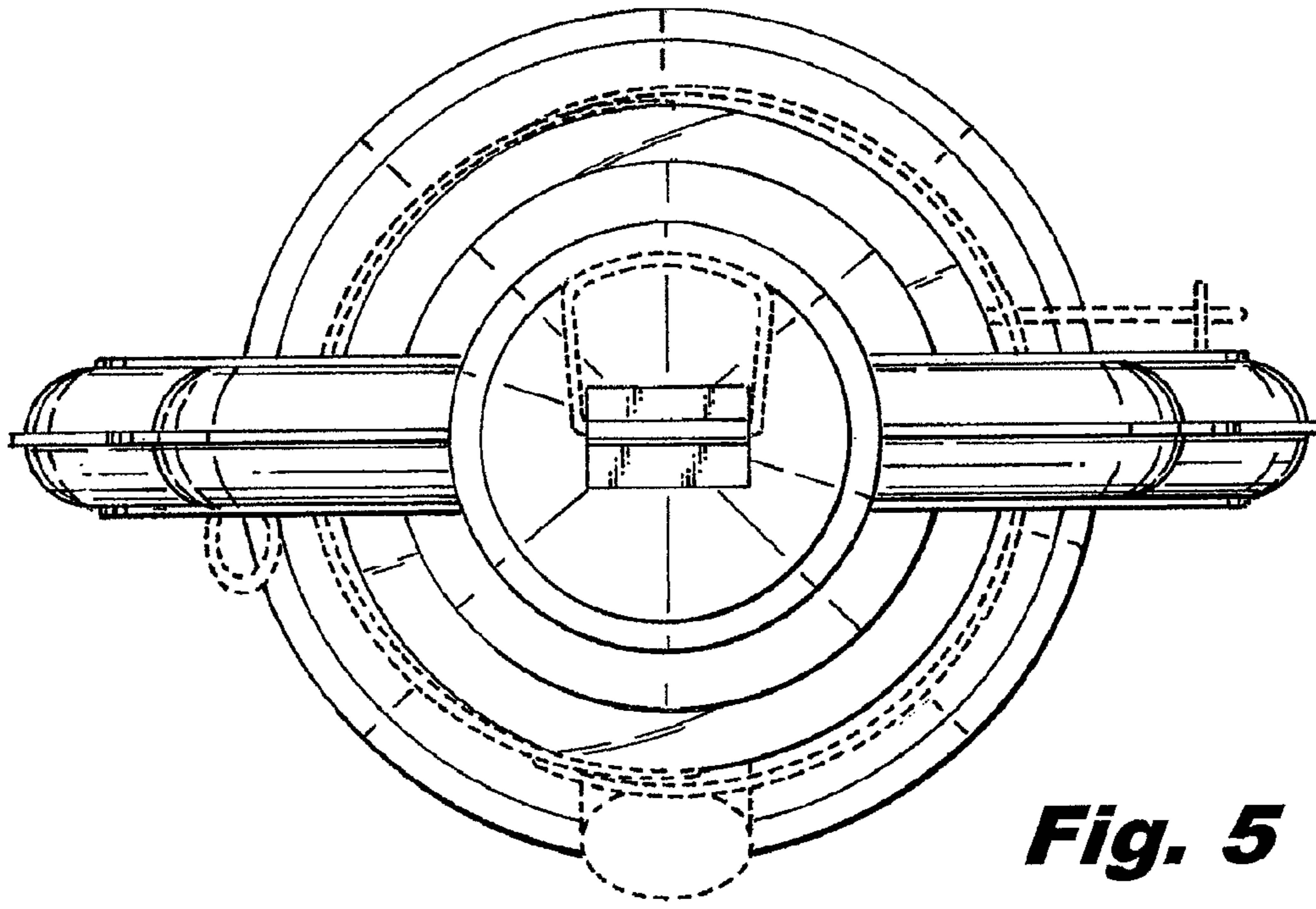


Fig. 5

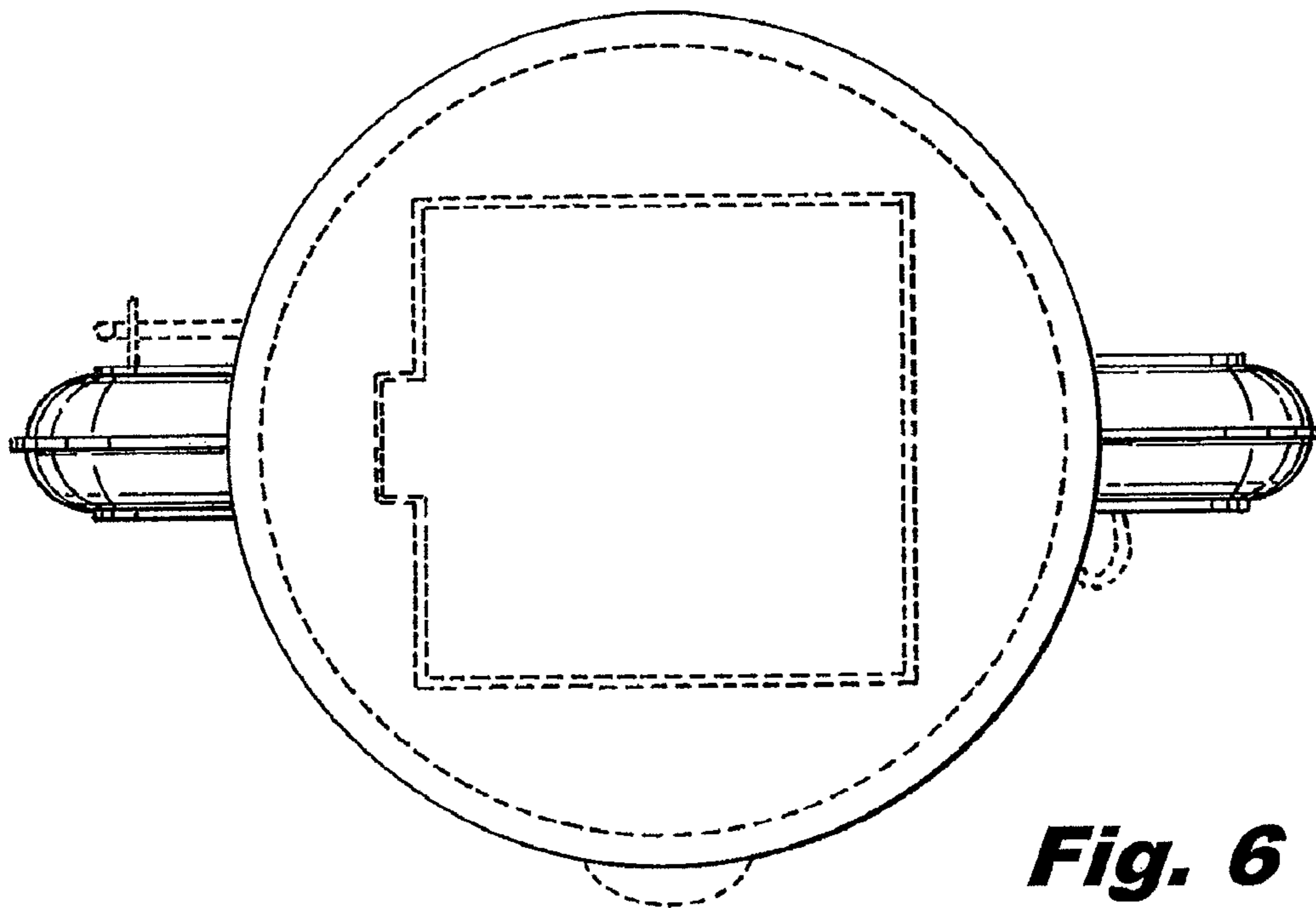


Fig. 6