



US00D646408S

(12) **United States Design Patent**
Shi

(10) **Patent No.:** **US D646,408 S**

(45) **Date of Patent:** **** Oct. 4, 2011**

(54) **LED BULB**

(76) Inventor: **Jie Shi**, Nanjing (CN)

(**) Term: **14 Years**

(21) Appl. No.: **29/387,655**

(22) Filed: **Mar. 16, 2011**

(30) **Foreign Application Priority Data**

Sep. 17, 2010 (CN) 2010 3 0524199

(51) **LOC (9) Cl.** **26-04**

(52) **U.S. Cl.** **D26/2**

(58) **Field of Classification Search** D26/1-4;
313/313, 315, 316, 317, 318, 493; 315/52,
315/53, 56, 57, 58

See application file for complete search history.

(56) **References Cited**

U.S. PATENT DOCUMENTS

D543,288 S * 5/2007 Bembridge D26/2
D544,109 S * 6/2007 Tsuruha et al. D26/2

D558,904 S * 1/2008 Tsuruha et al. D26/2
D579,130 S * 10/2008 Hernandez et al. D26/2
D600,368 S * 9/2009 Bertram et al. D26/2
D610,272 S * 2/2010 Guo et al. D26/2

* cited by examiner

Primary Examiner — Marcus Jackson

(74) *Attorney, Agent, or Firm* — Allen, Dyer, Doppelt,
Milbrath & Gilchrist, P.A.

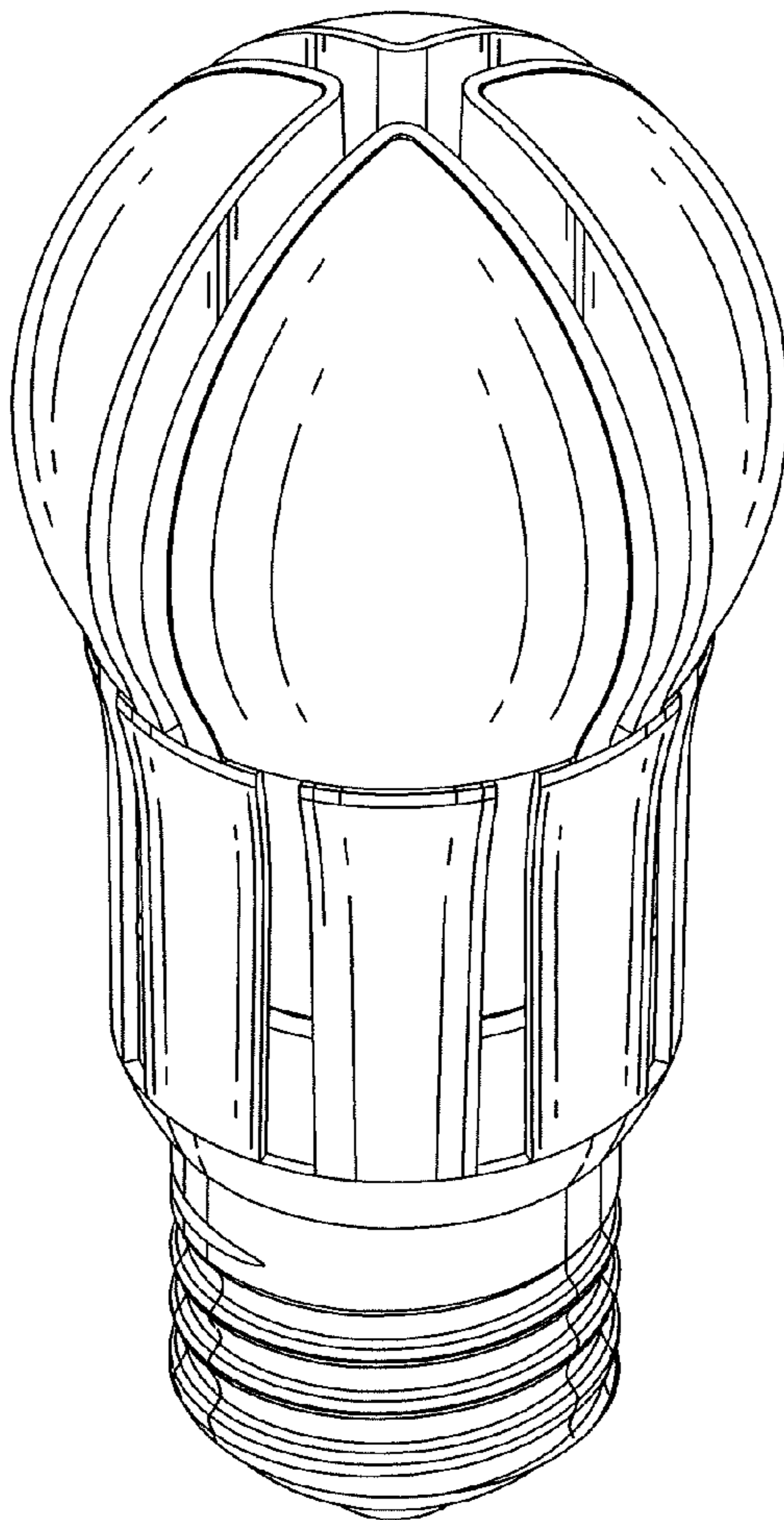
(57) **CLAIM**

The ornamental design for an LED bulb, as shown and described.

DESCRIPTION

FIG. 1 is a front view of the LED bulb;
FIG. 2 is a rear view thereof;
FIG. 3 is a left view thereof;
FIG. 4 is a right view thereof;
FIG. 5 is a bottom view thereof;
FIG. 6 is a top view thereof; and,
FIG. 7 is a perspective view of the LED bulb.

1 Claim, 6 Drawing Sheets



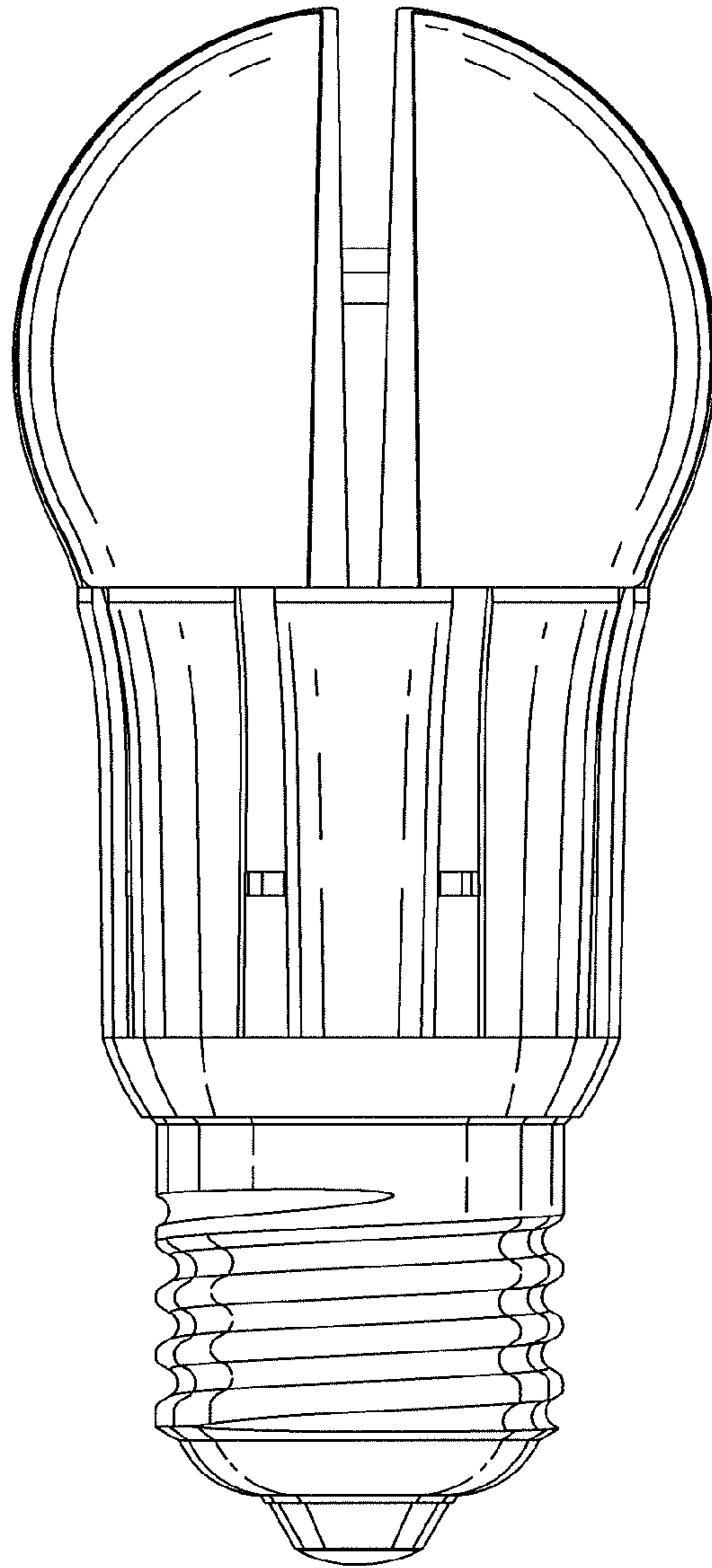


FIG. 1

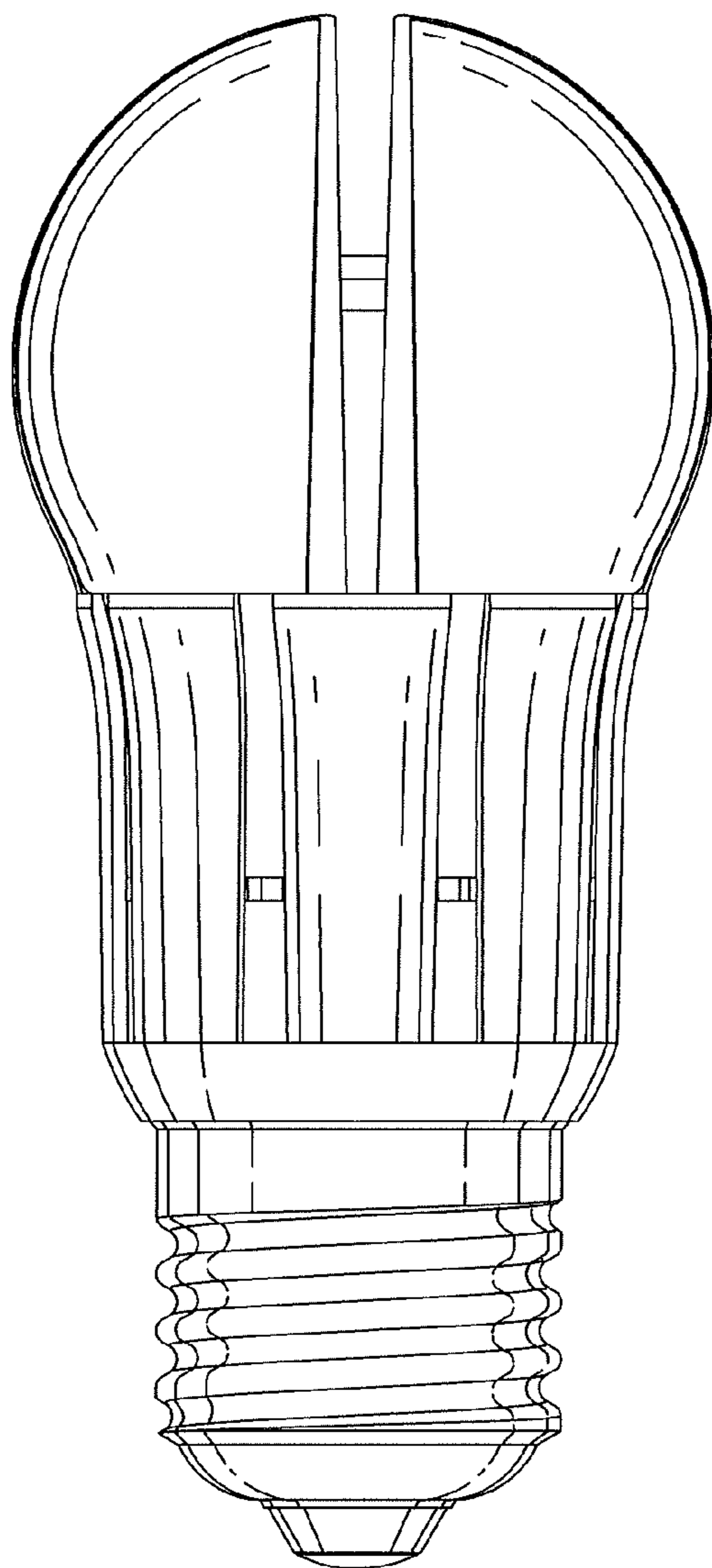


FIG. 2

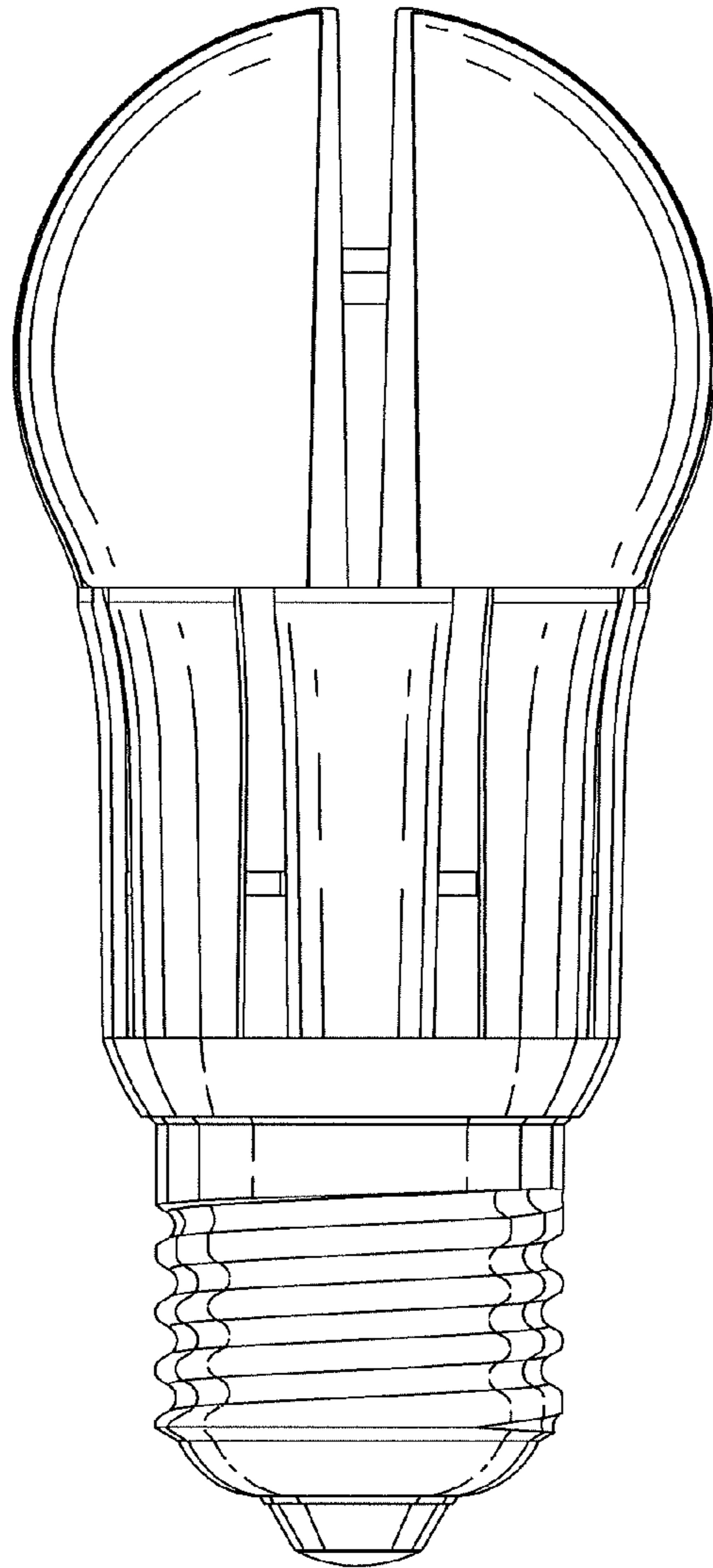


FIG. 3

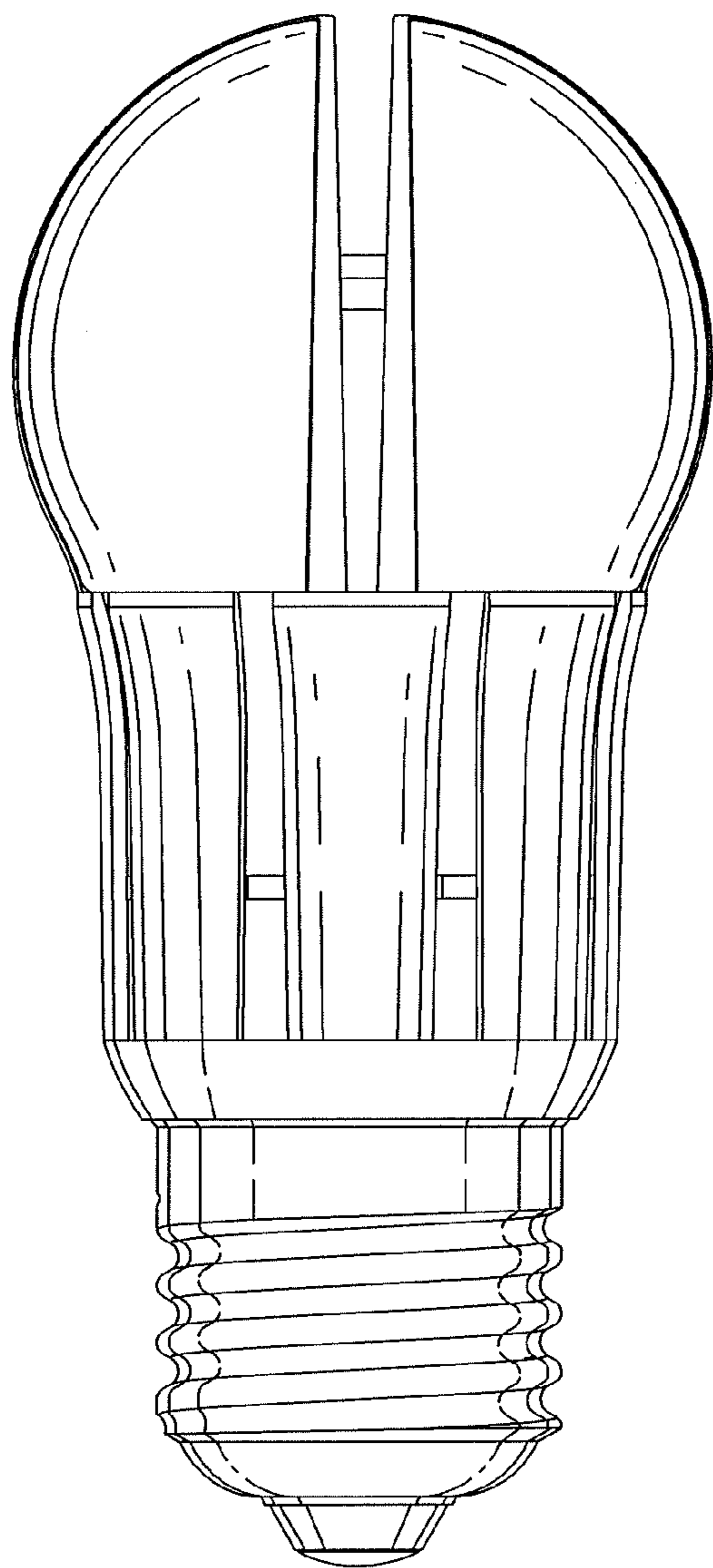


FIG. 4

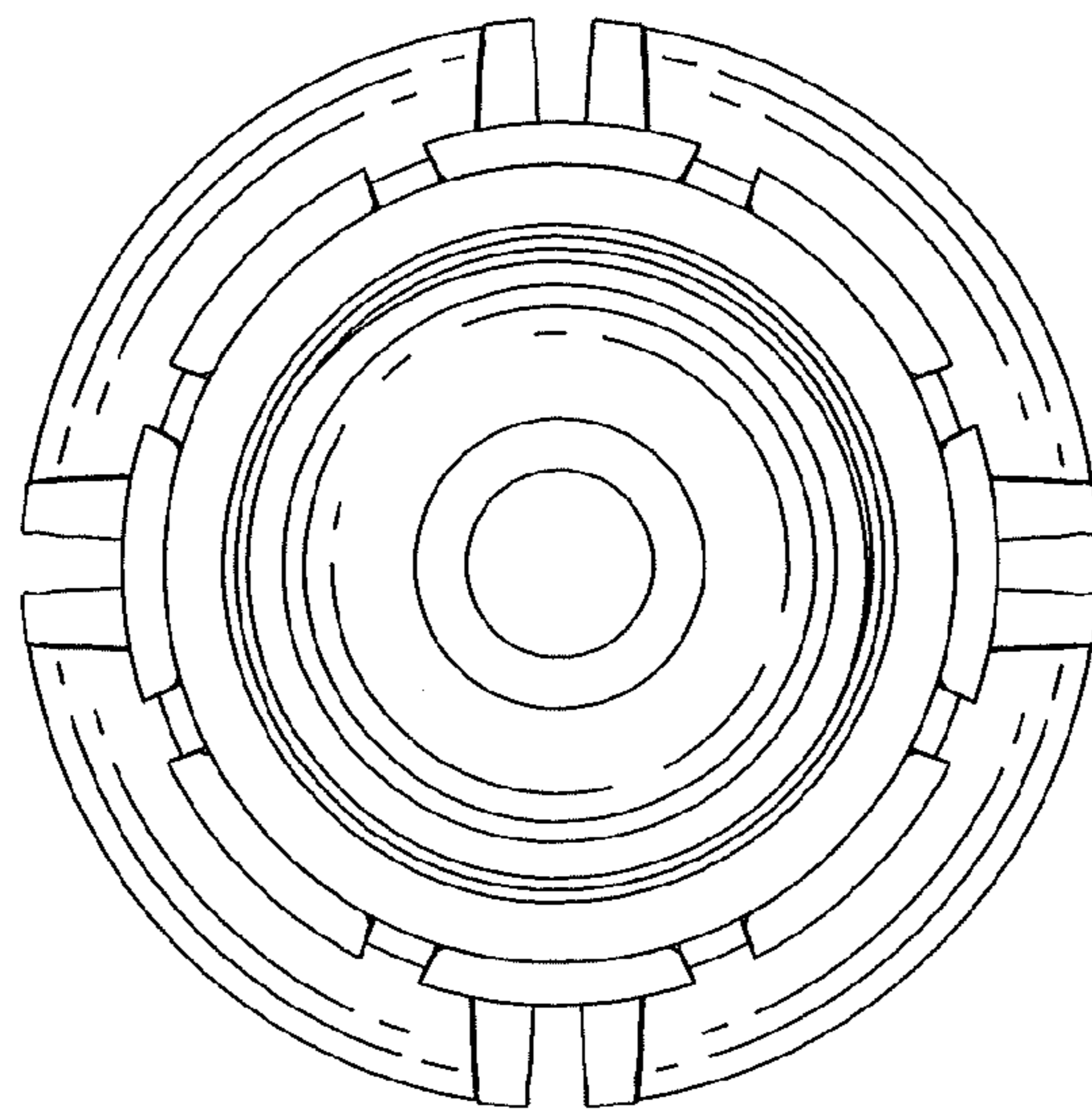


FIG. 5

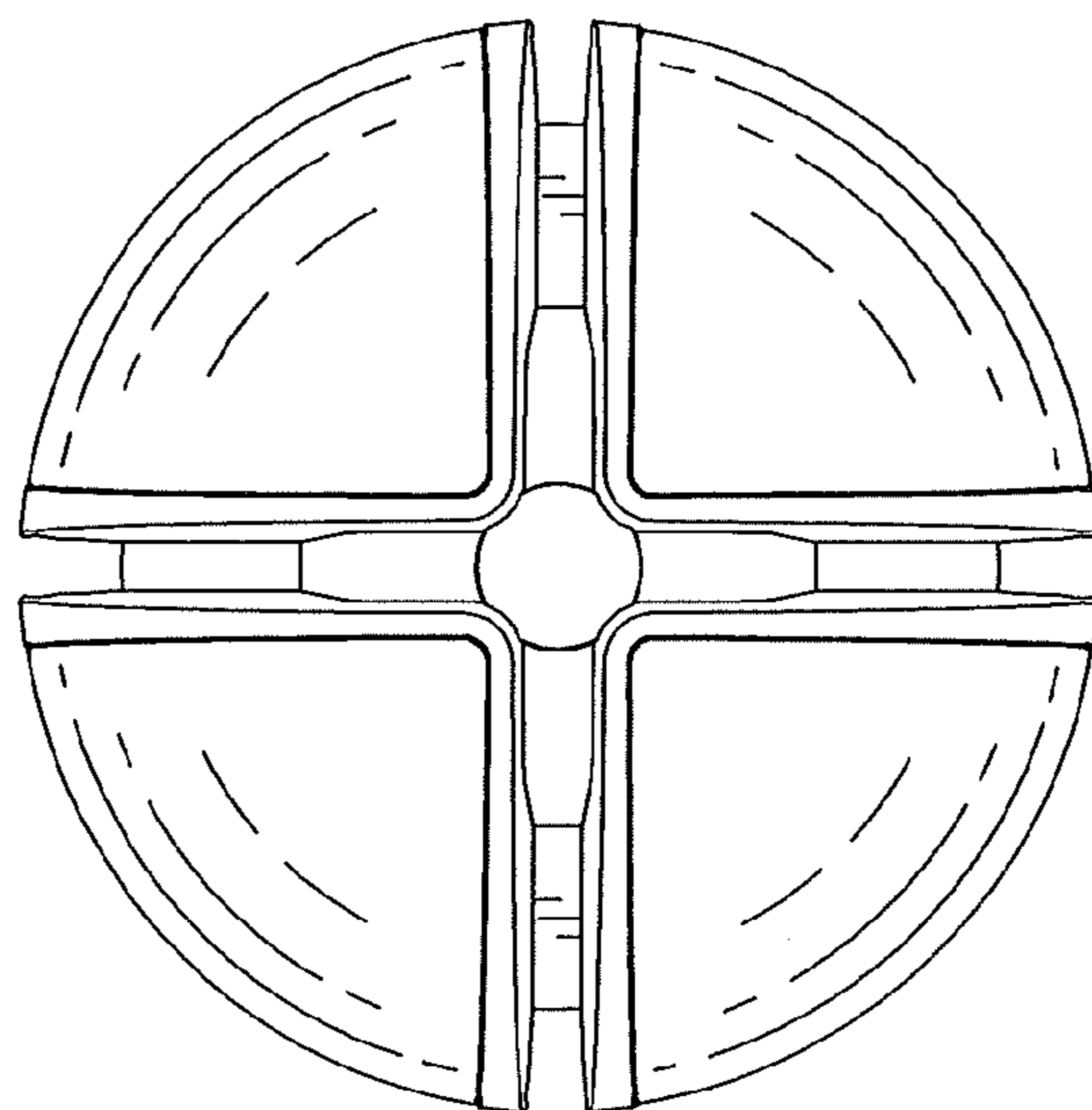


FIG. 6

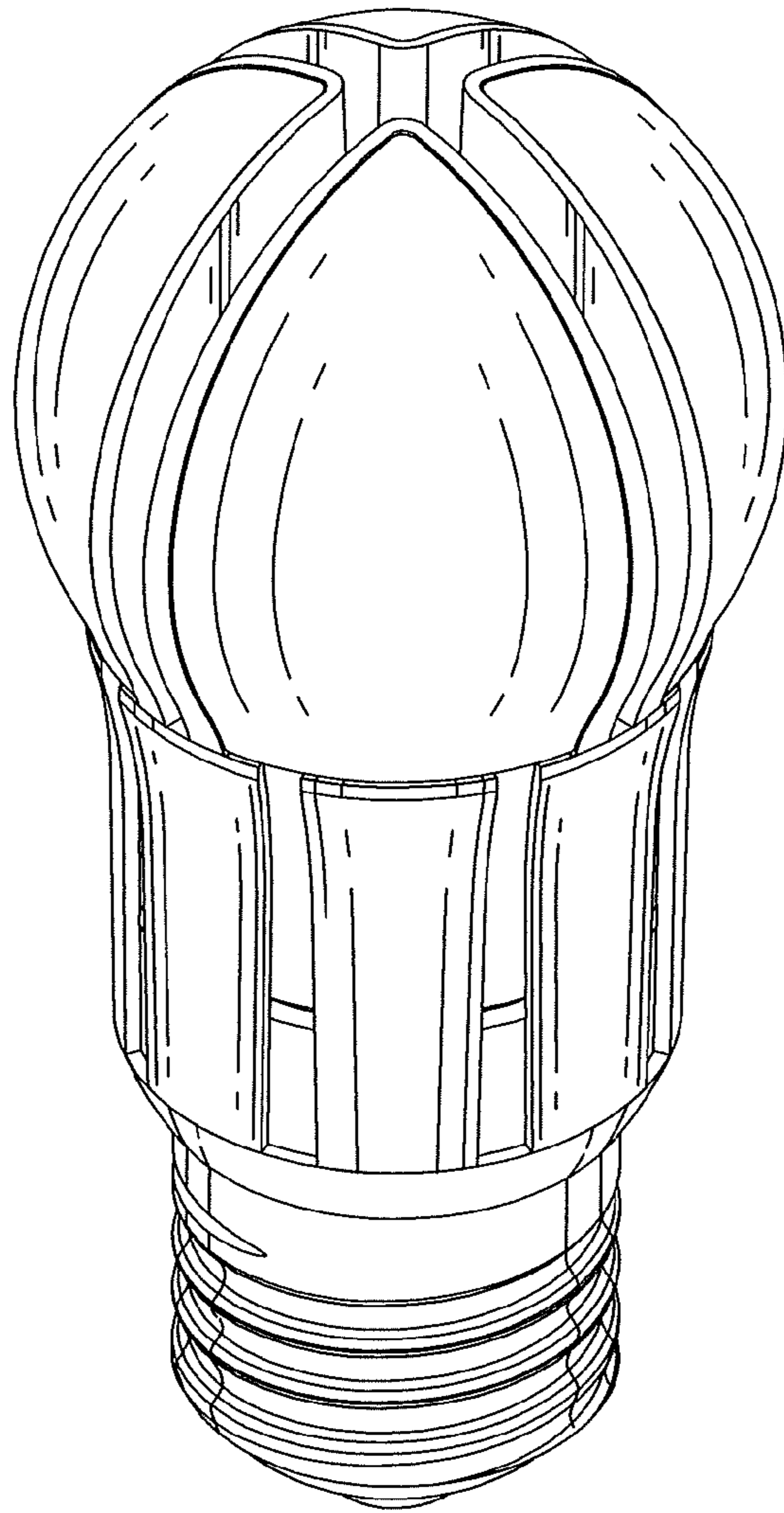


FIG. 7