



US00D646407S

(12) **United States Design Patent**
Wei

(10) **Patent No.:** **US D646,407 S**

(45) **Date of Patent:** **** Oct. 4, 2011**

(54) **LED BULB LAMP**

(75) Inventor: **Wen-Chen Wei**, New Taipei (TW)

(73) Assignee: **Neng Tyi Precision Industries Co., Ltd.**, New Taipei (TW)

(**) Term: **14 Years**

(21) Appl. No.: **29/387,459**

(22) Filed: **Mar. 14, 2011**

(51) **LOC (9) Cl.** **26-04**

(52) **U.S. Cl.** **D26/2**

(58) **Field of Classification Search** D26/1-4;
313/313, 315, 316, 317, 318, 493; 315/52,
315/53, 56, 57, 58

See application file for complete search history.

(56) **References Cited**

U.S. PATENT DOCUMENTS

D541,440 S *	4/2007	Feit	D26/2
D581,556 S *	11/2008	To et al.	D26/2
D598,143 S *	8/2009	Gerritsen	D26/2
D601,278 S *	9/2009	Takahashi	D26/2

D602,614 S *	10/2009	Takahashi et al.	D26/2
D617,915 S *	6/2010	Wada et al.	D26/2
D620,155 S *	7/2010	Wang et al.	D26/2
D632,406 S *	2/2011	Wei	D26/2

* cited by examiner

Primary Examiner — Marcus Jackson

(74) *Attorney, Agent, or Firm* — Li & Cai Intellectual Property (USA) Office

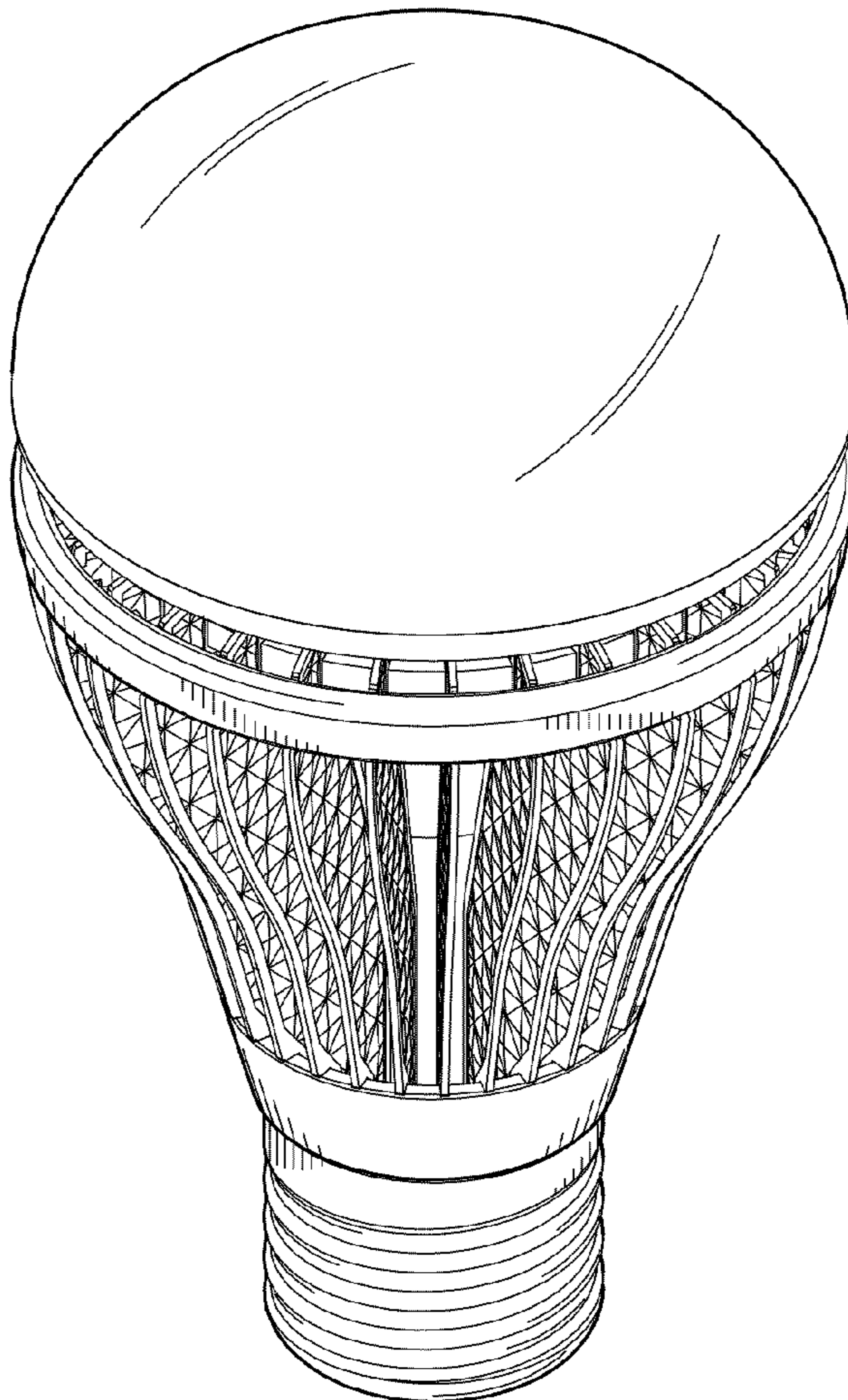
(57) **CLAIM**

The ornamental design for a “LED bulb lamp,” as shown and described.

DESCRIPTION

FIG. 1 is a perspective view of a “LED bulb lamp” showing my new design;
FIG. 2 is a front view thereof;
FIG. 3 is a rear view thereof;
FIG. 4 is a left side view thereof;
FIG. 5 is a right side view thereof;
FIG. 6 is a top view thereof;
FIG. 7 is a bottom view thereof; and,
FIG. 8 is a perspective view showing the practical usage.

1 Claim, 7 Drawing Sheets



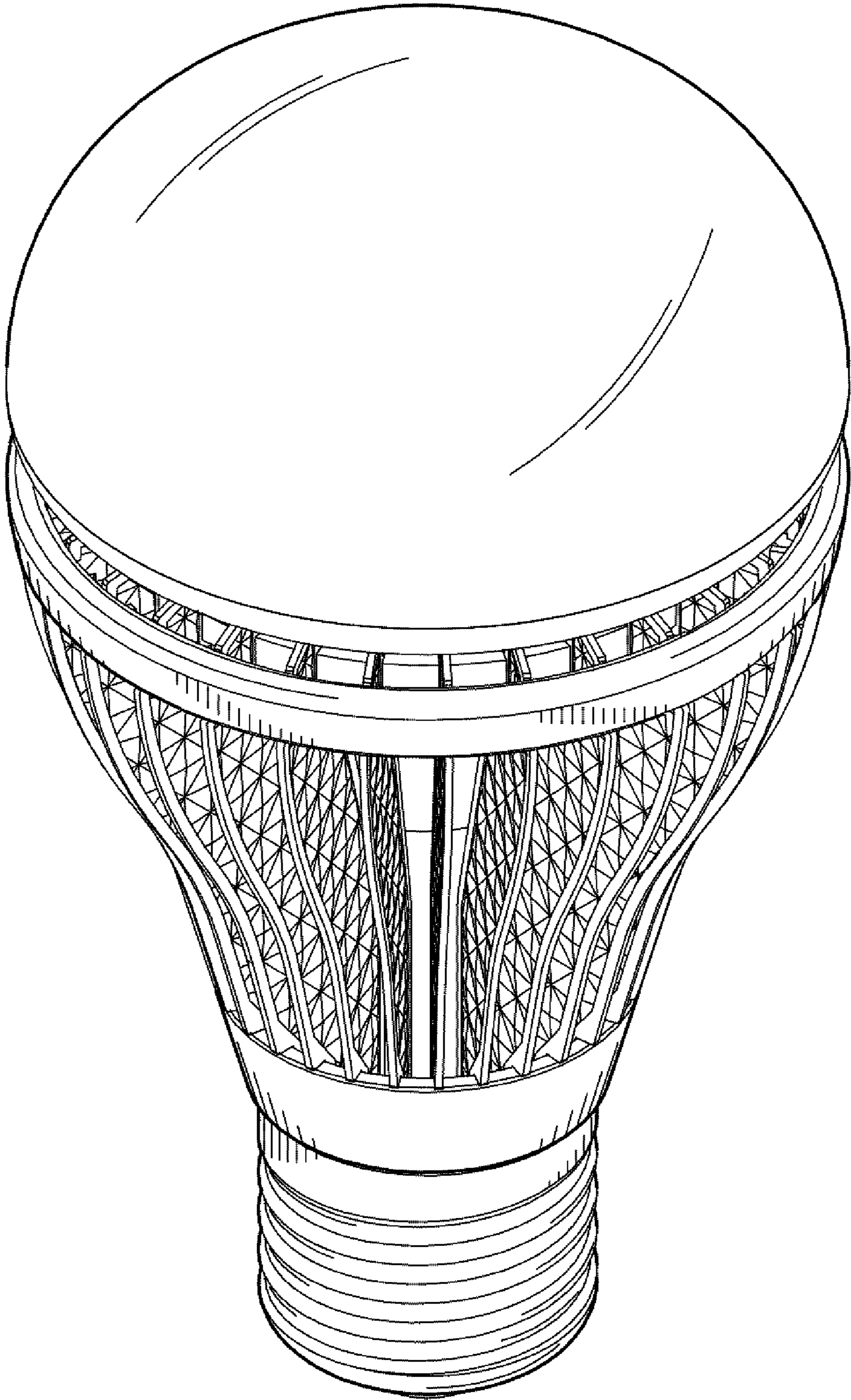


FIG. 1

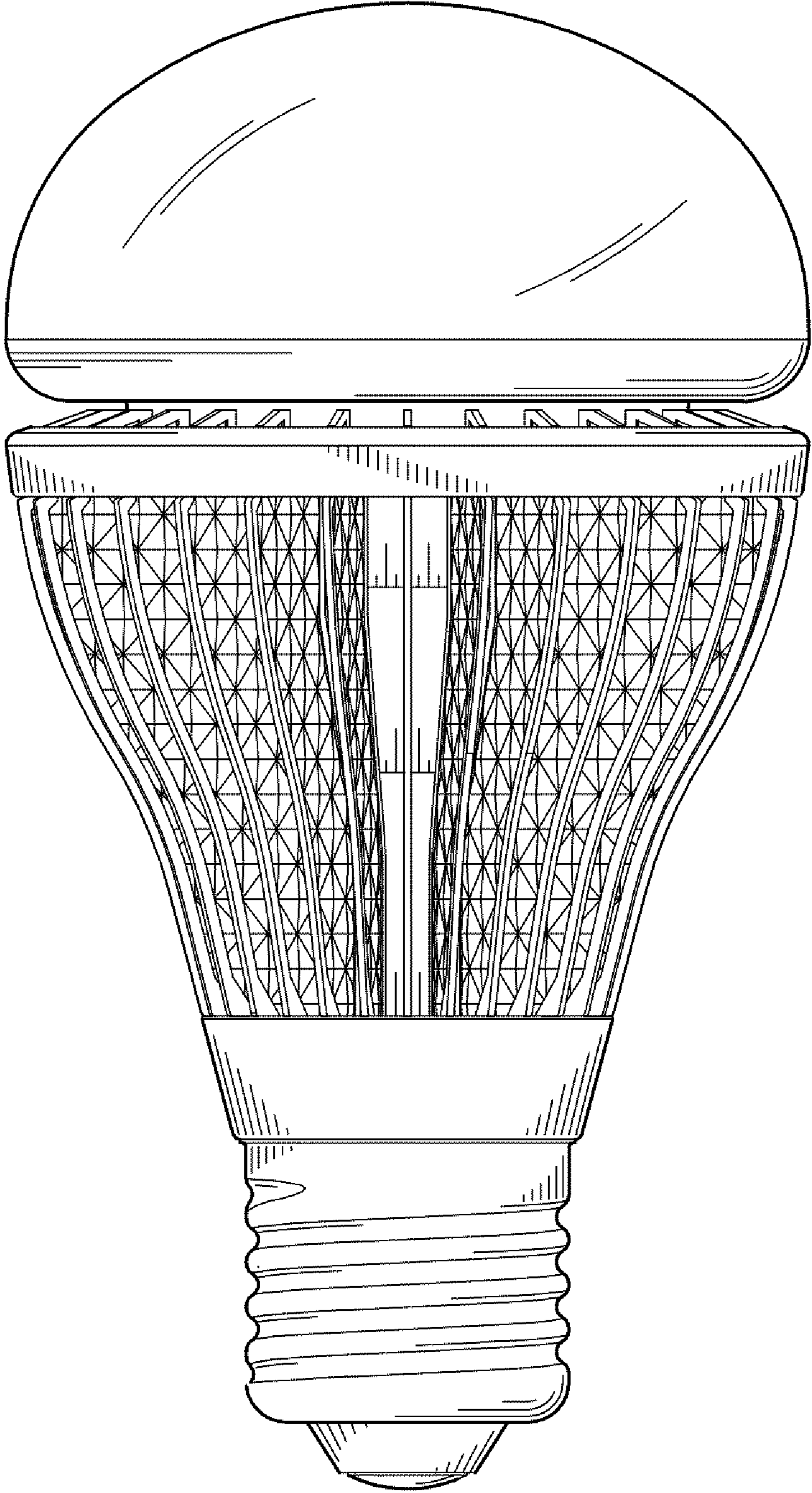


FIG. 2

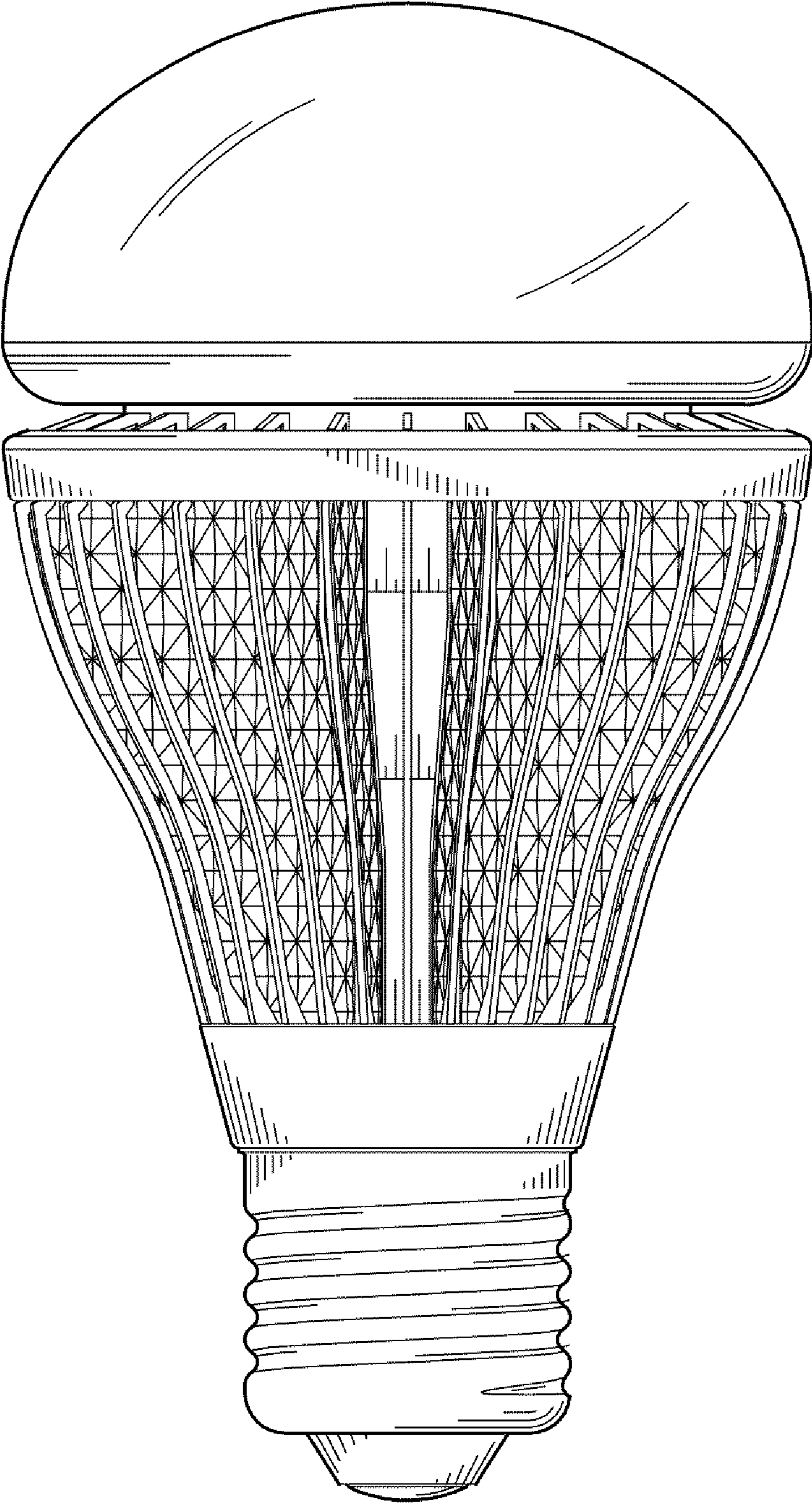


FIG. 3

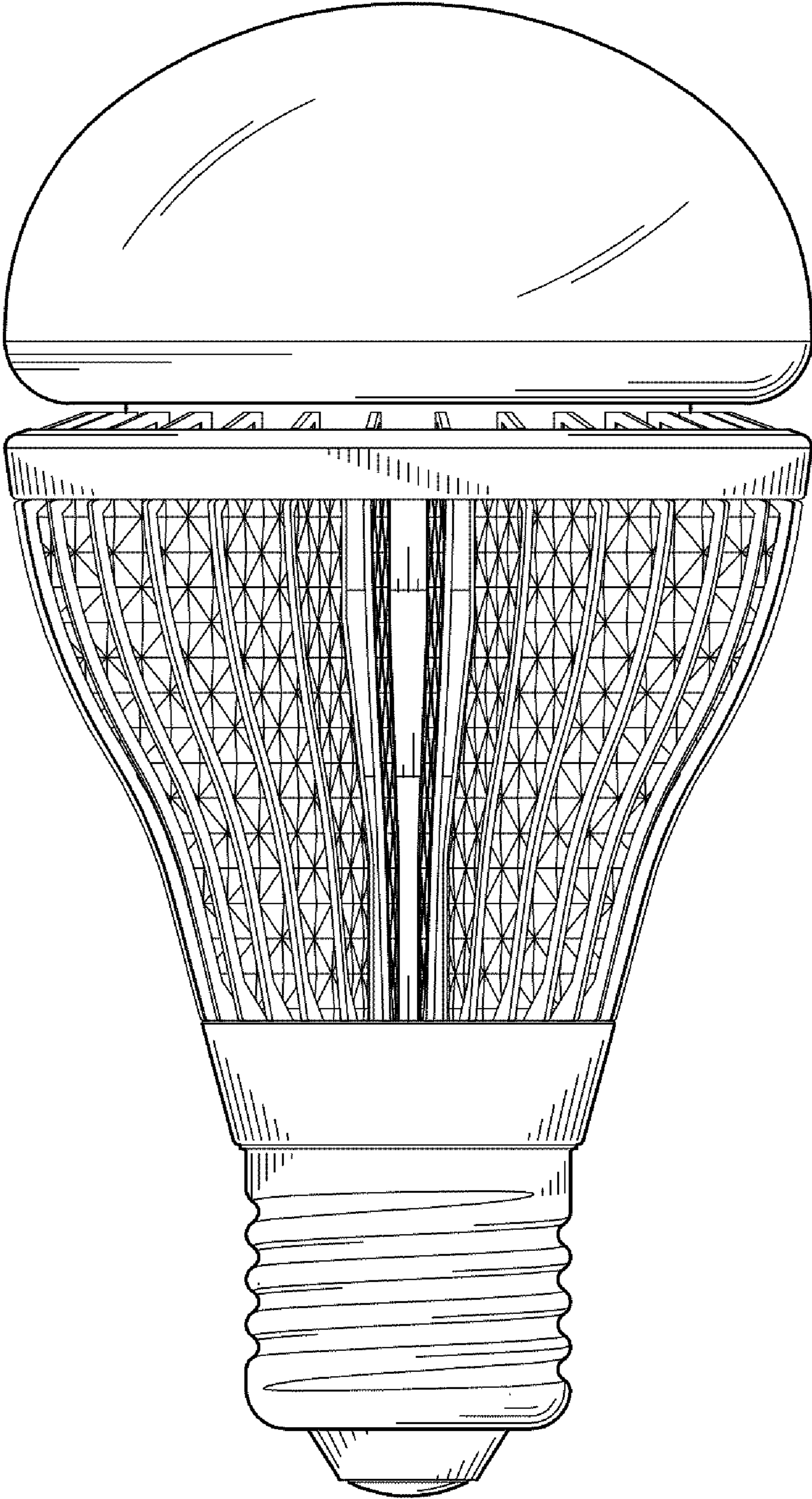


FIG. 4

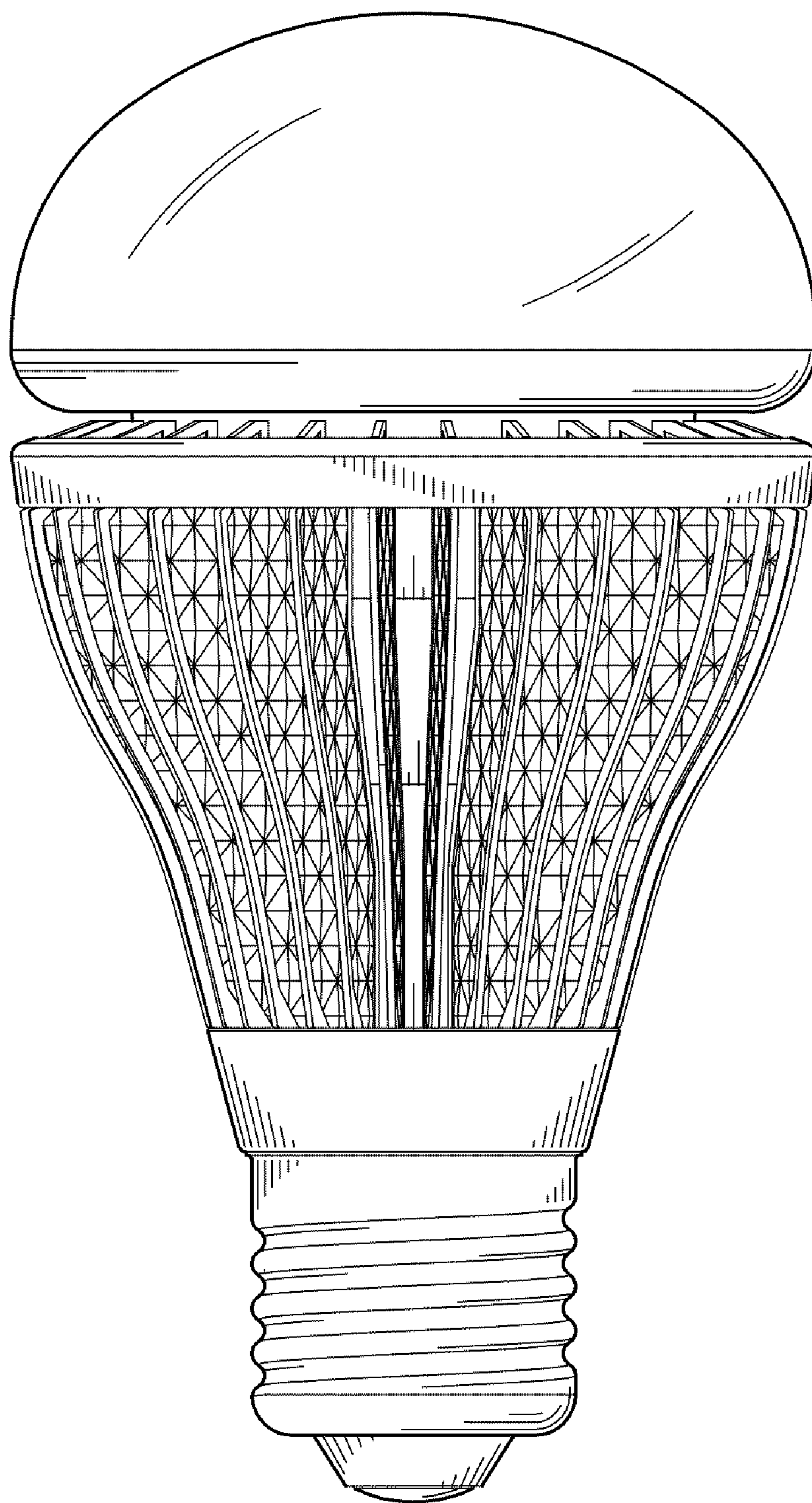


FIG. 5

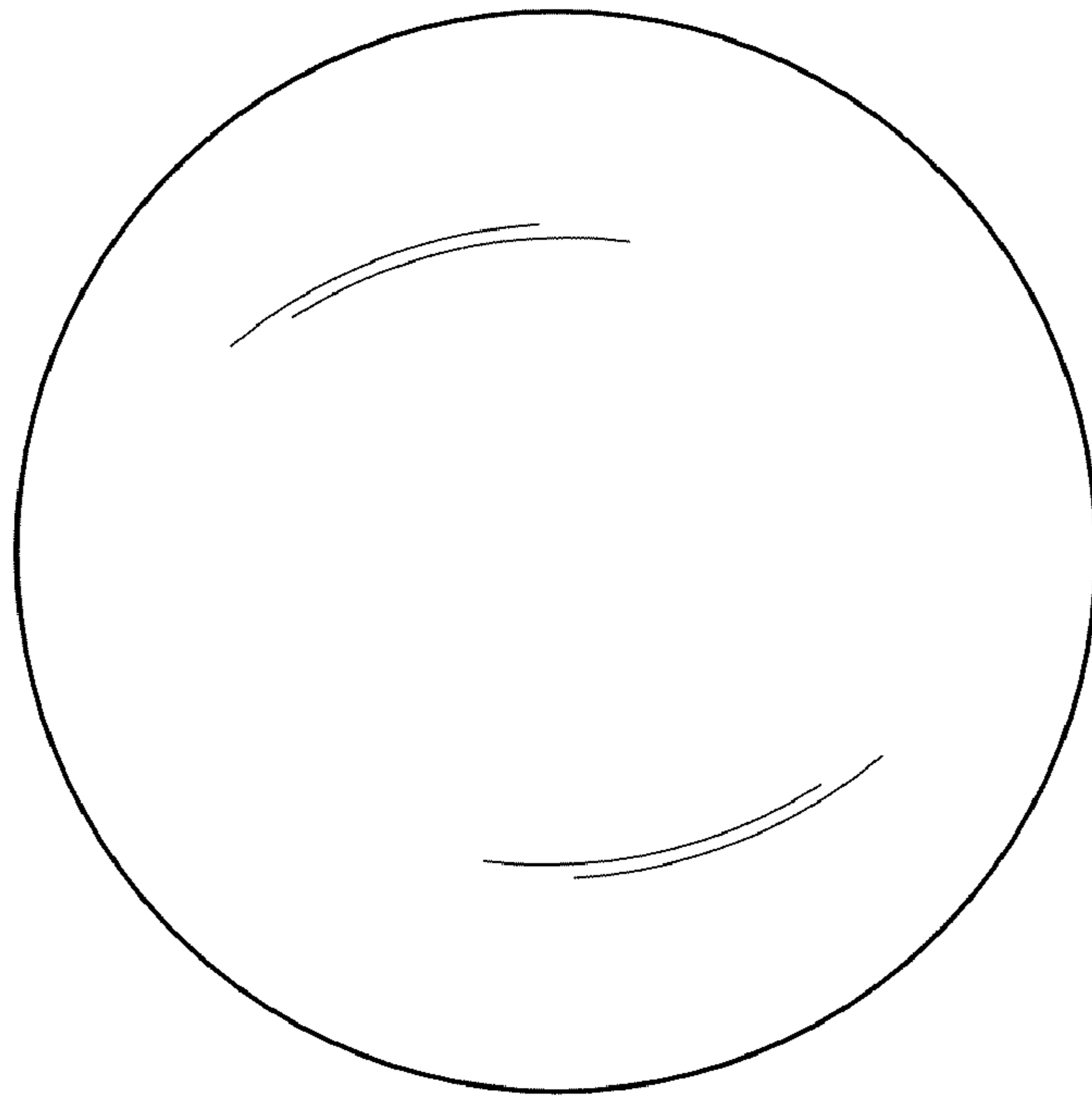


FIG. 6

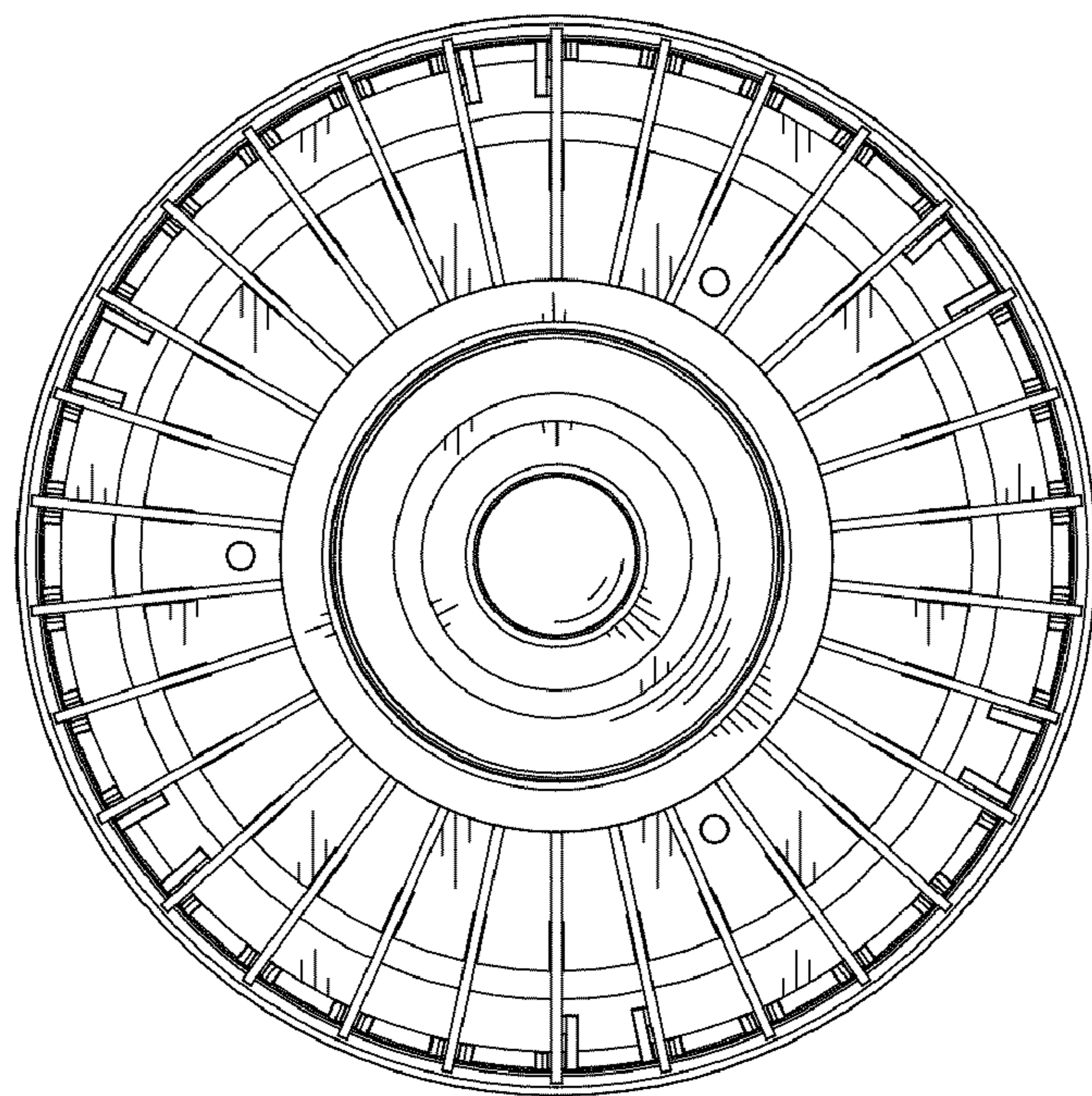


FIG. 7

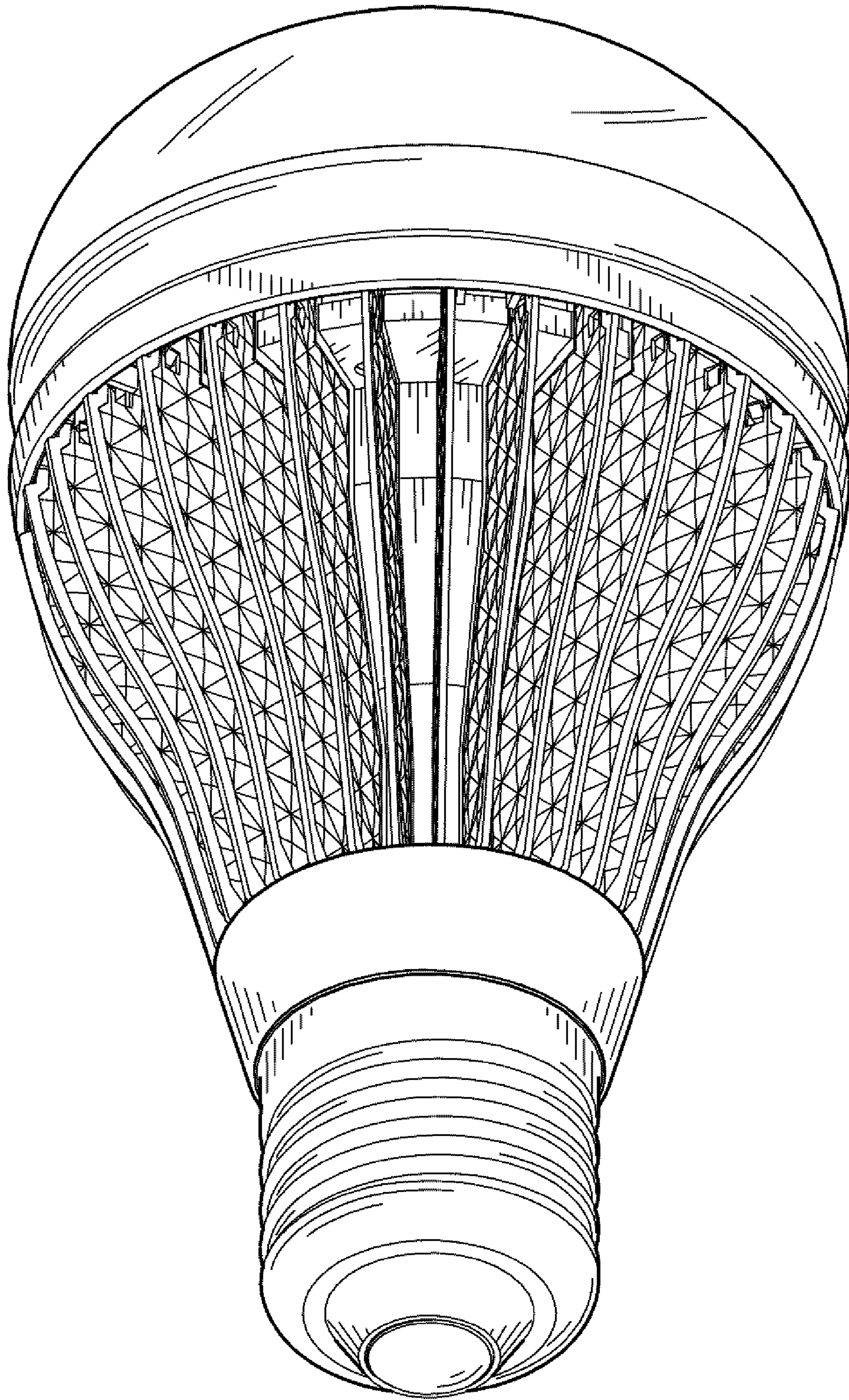


FIG. 8