



US00D646406S

(12) **United States Design Patent**
Tsai et al.

(10) **Patent No.:** **US D646,406 S**
(45) **Date of Patent:** **** Oct. 4, 2011**

(54) **LED PAR LAMP**
(75) Inventors: **Mu-Chiao Tsai**, Taoyuan Hsien (TW);
Yu-Shu Lin, Taoyuan Hsien (TW);
Ming-Cheng Lee, Taoyuan Hsien (TW)

(73) Assignee: **Delta Electronics, Inc**, Taoyuan Hsien (TW)

(**) Term: **14 Years**

(21) Appl. No.: **29/383,104**

(22) Filed: **Jan. 12, 2011**

(51) **LOC (9) Cl.** **26-04**

(52) **U.S. Cl.** **D26/2**

(58) **Field of Classification Search** D26/1-4;
313/313, 315, 316, 317, 318, 493; 315/52,
315/53, 56, 57, 58

See application file for complete search history.

(56) **References Cited**

U.S. PATENT DOCUMENTS

D610,722 S * 2/2010 Bi D26/2
D626,260 S * 10/2010 Wei D26/2
D628,319 S * 11/2010 Yoshinobu et al. D26/2

D629,129 S * 12/2010 Lin et al. D26/2
D630,347 S * 1/2011 Pei et al. D26/2
D630,775 S * 1/2011 Pan D26/2
D631,577 S * 1/2011 Yoshinobu et al. D26/2

* cited by examiner

Primary Examiner — Marcus Jackson

(74) *Attorney, Agent, or Firm* — Muncy, Geissler, Olds & Lowe, PLLC

(57) **CLAIM**

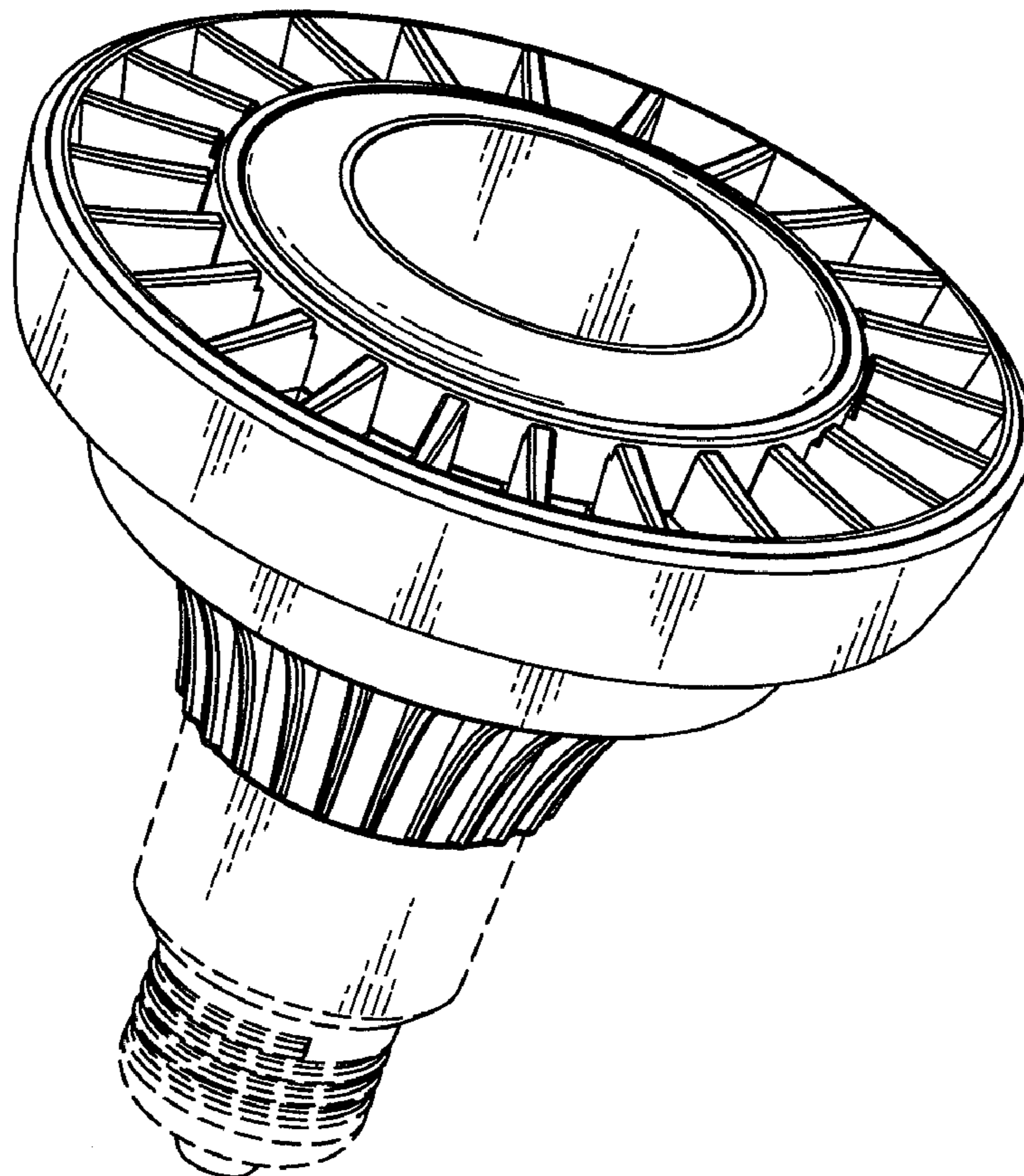
The ornamental design for LED par lamp, as shown and described.

DESCRIPTION

FIG. 1 is a perspective view thereof;
FIG. 2 is a front view thereof;
FIG. 3 is a rear view thereof;
FIG. 4 is a right side view thereof;
FIG. 5 is a left side view thereof;
FIG. 6 is a top view thereof; and,
FIG. 7 is a bottom view thereof.

The broken lines shown in FIGS. 2-5 illustrate the environment and form no part of the claimed design.

1 Claim, 7 Drawing Sheets



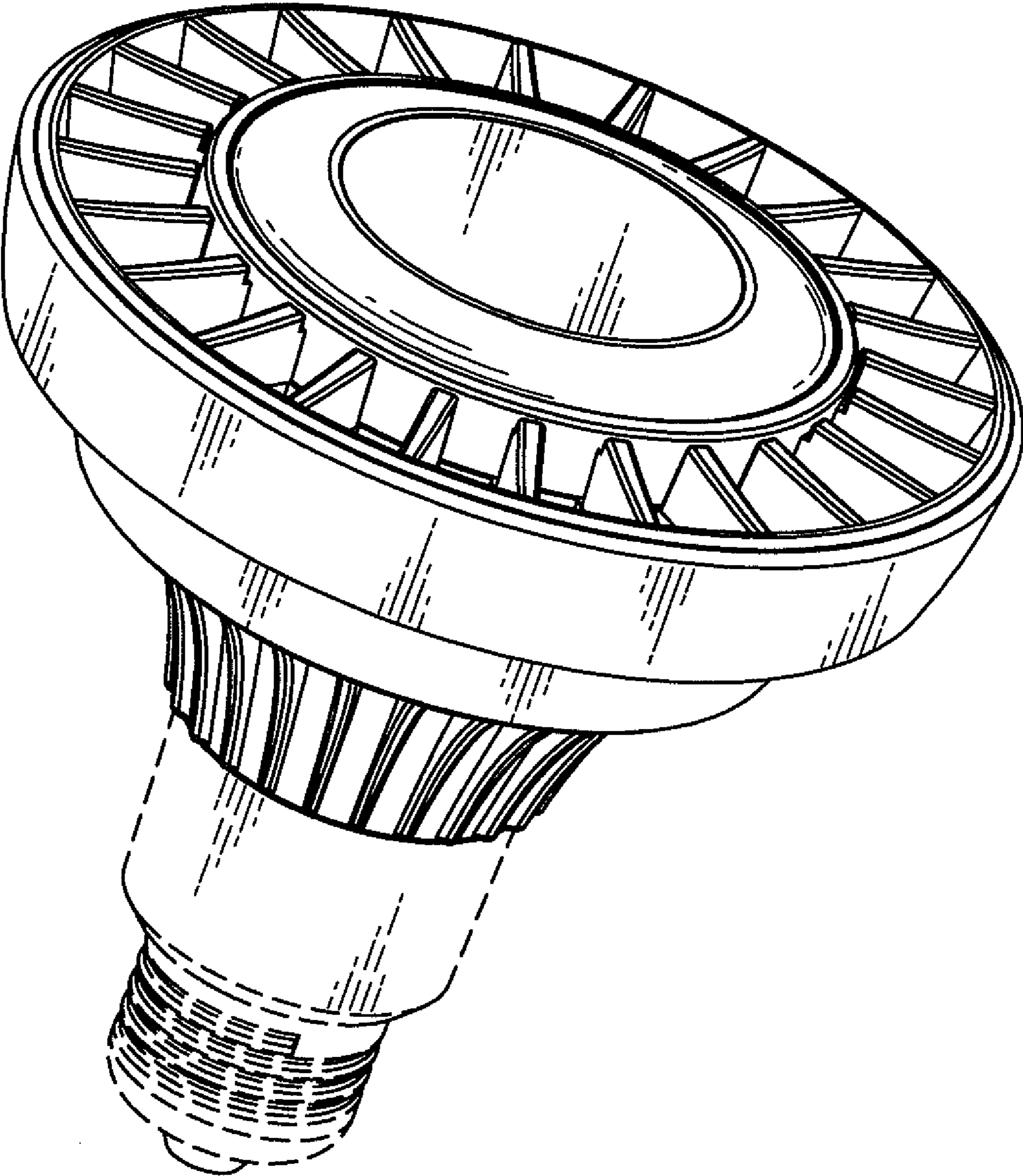


FIG. 1

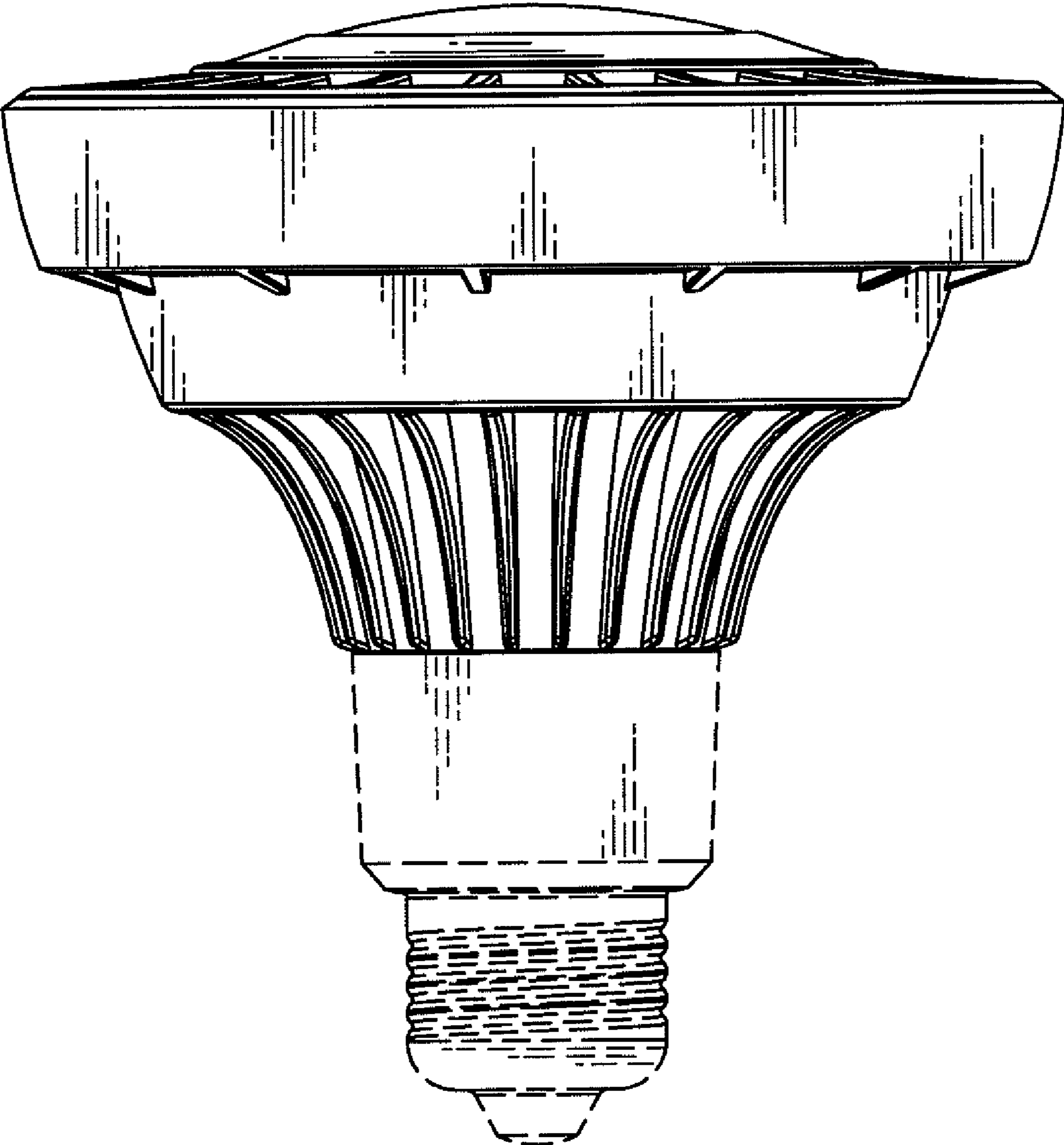


FIG. 2

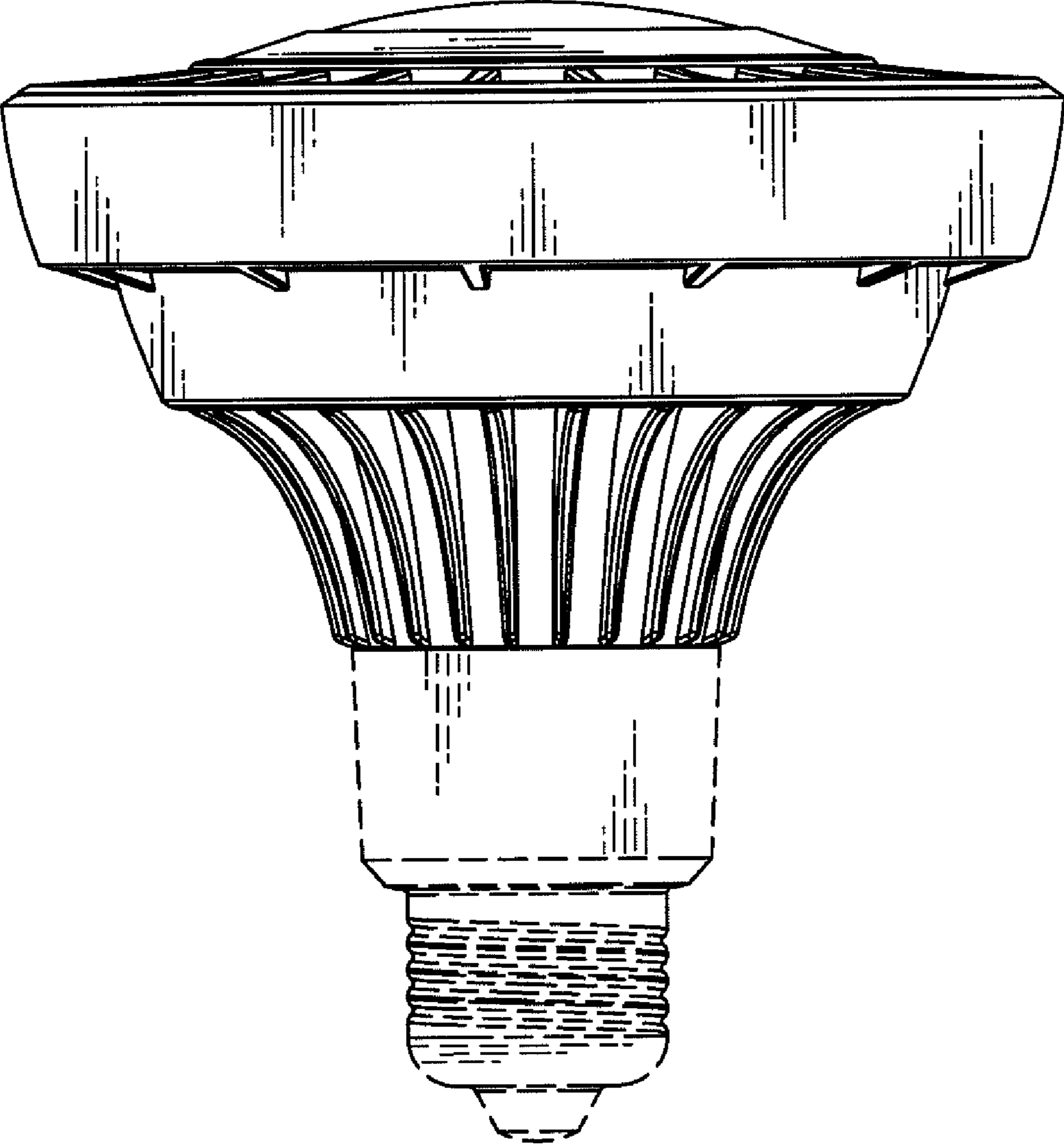


FIG. 3

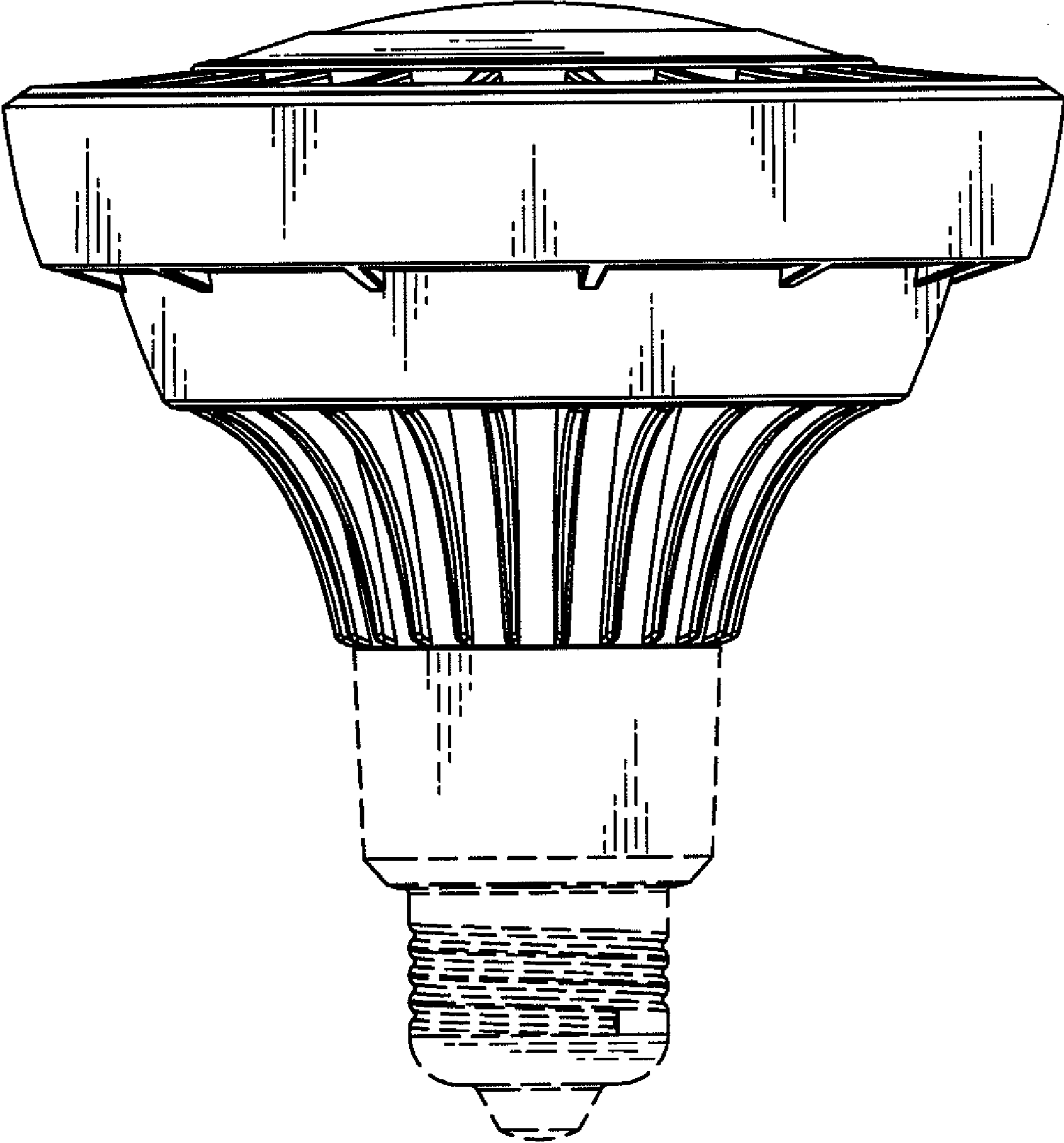


FIG. 4

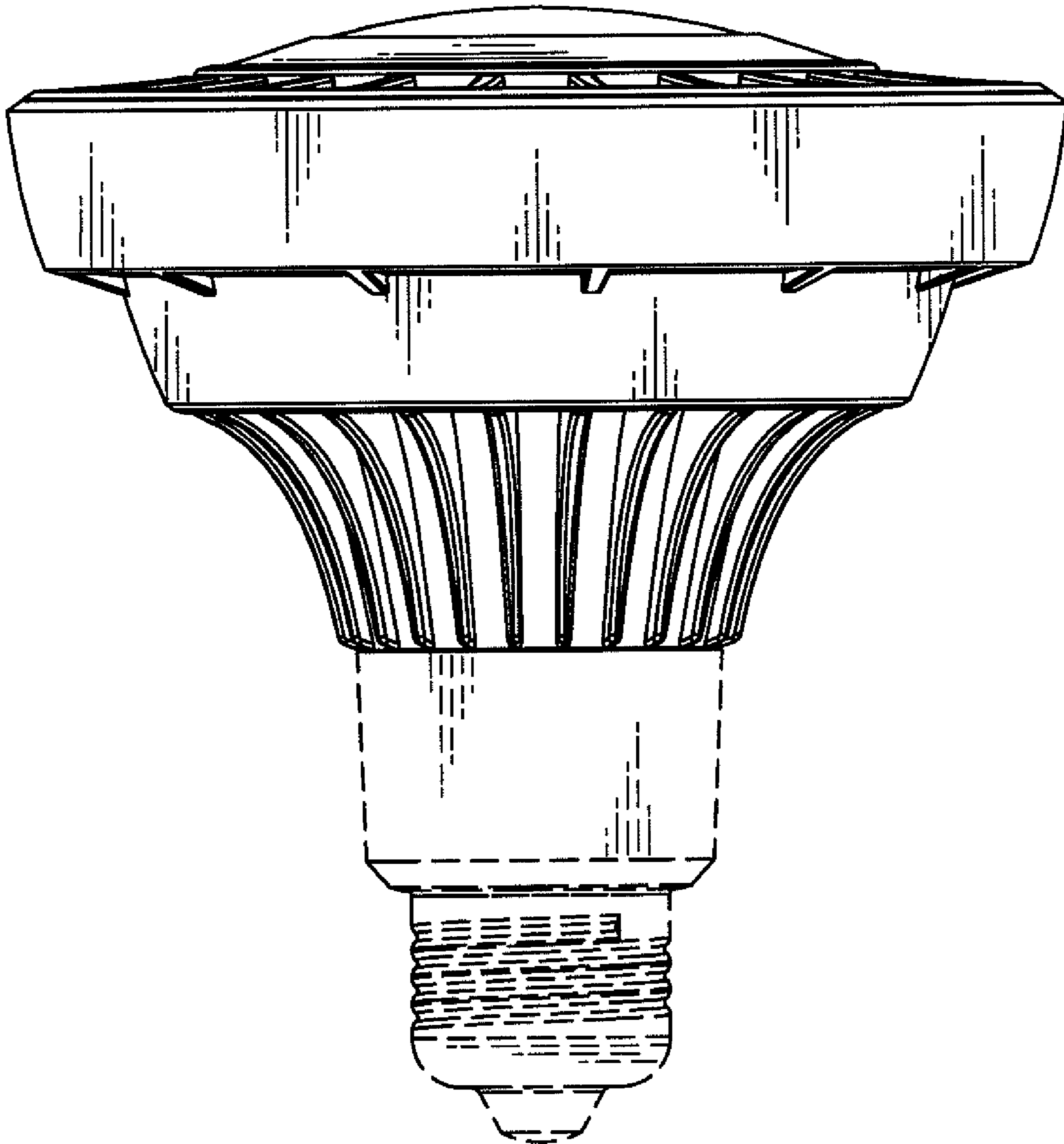


FIG. 5

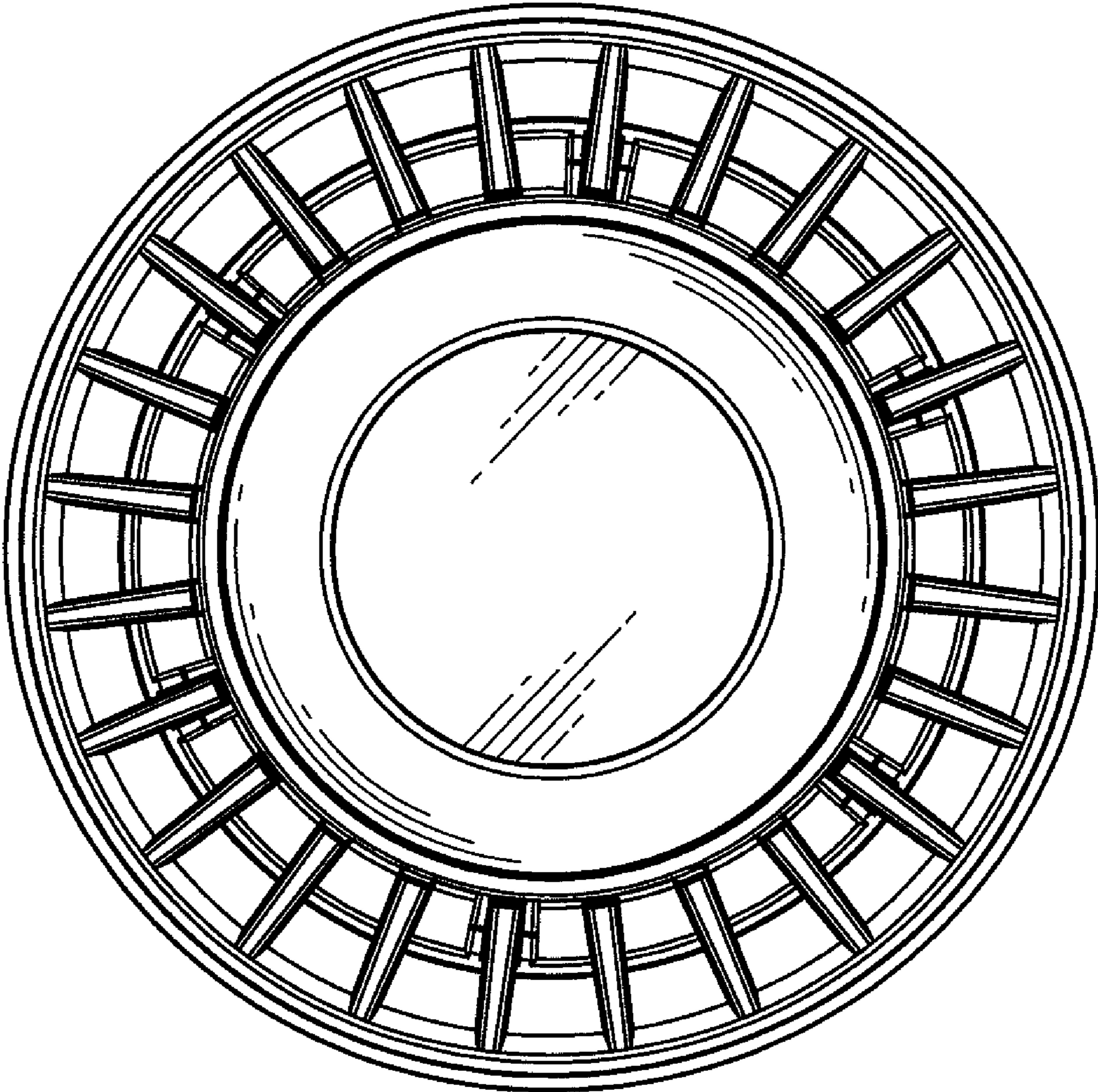


FIG. 6

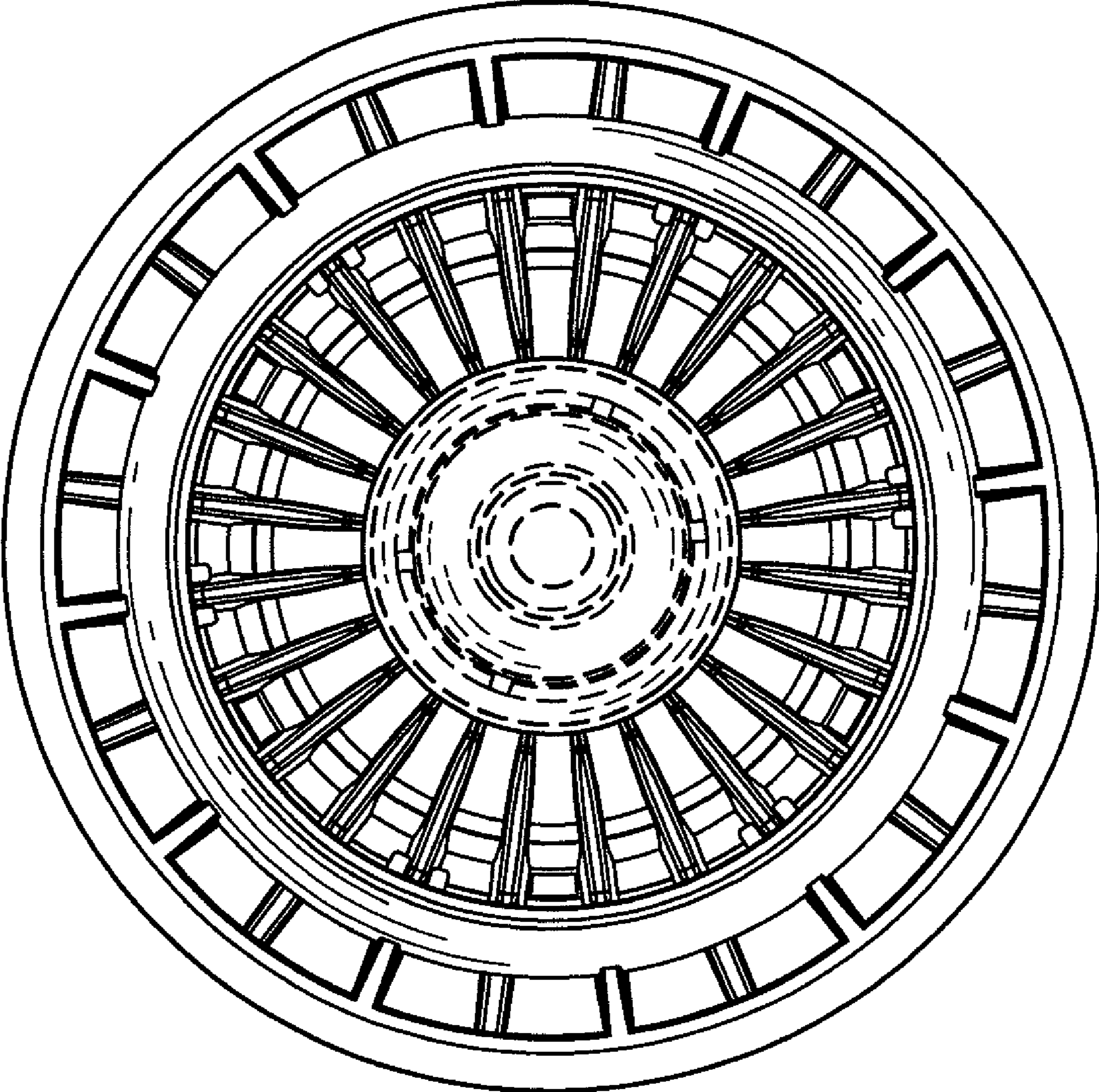


FIG. 7