



US00D646405S

(12) **United States Design Patent**
Oh

(10) **Patent No.:** **US D646,405 S**

(45) **Date of Patent:** **** Oct. 4, 2011**

(54) **LED LAMP**

(75) Inventor: **Hyun Oh**, Gyeonggi-do (KR)

(73) Assignee: **KMW Inc.**, Gyeonggi-do (KR)

(**) Term: **14 Years**

(21) Appl. No.: **29/381,178**

(22) Filed: **Dec. 16, 2010**

(30) **Foreign Application Priority Data**

Aug. 17, 2010 (KR) 30-2010-0035805

(51) **LOC (9) Cl.** **26-04**

(52) **U.S. Cl.** **D26/2**

(58) **Field of Classification Search** D26/1-4;
313/313, 315, 316, 317, 318, 493; 315/52,
315/53, 56, 57, 58

See application file for complete search history.

(56) **References Cited**

U.S. PATENT DOCUMENTS

D508,575 S * 8/2005 Buschmann et al. D26/2
D528,227 S * 9/2006 Chou et al. D26/2

D531,741 S * 11/2006 Takahashi D26/2
D534,665 S * 1/2007 Egawa et al. D26/2
D538,953 S * 3/2007 Mama D26/2
D541,440 S * 4/2007 Feit D26/2
D553,267 S * 10/2007 Yuen D26/2
D581,556 S * 11/2008 To et al. D26/2
D600,367 S * 9/2009 Bertram et al. D26/2
D632,409 S * 2/2011 Qiu D26/2

* cited by examiner

Primary Examiner — Marcus Jackson

(74) *Attorney, Agent, or Firm* — Leydig, Voit & Mayer Ltd.

(57) **CLAIM**

The ornamental design for a LED lamp, as shown and described.

DESCRIPTION

FIG. 1 is a perspective view of a LED lamp of the present invention.

FIG. 2 is a front view of a LED lamp of FIG. 1.

FIG. 3 is a rear view of a LED lamp of FIG. 1.

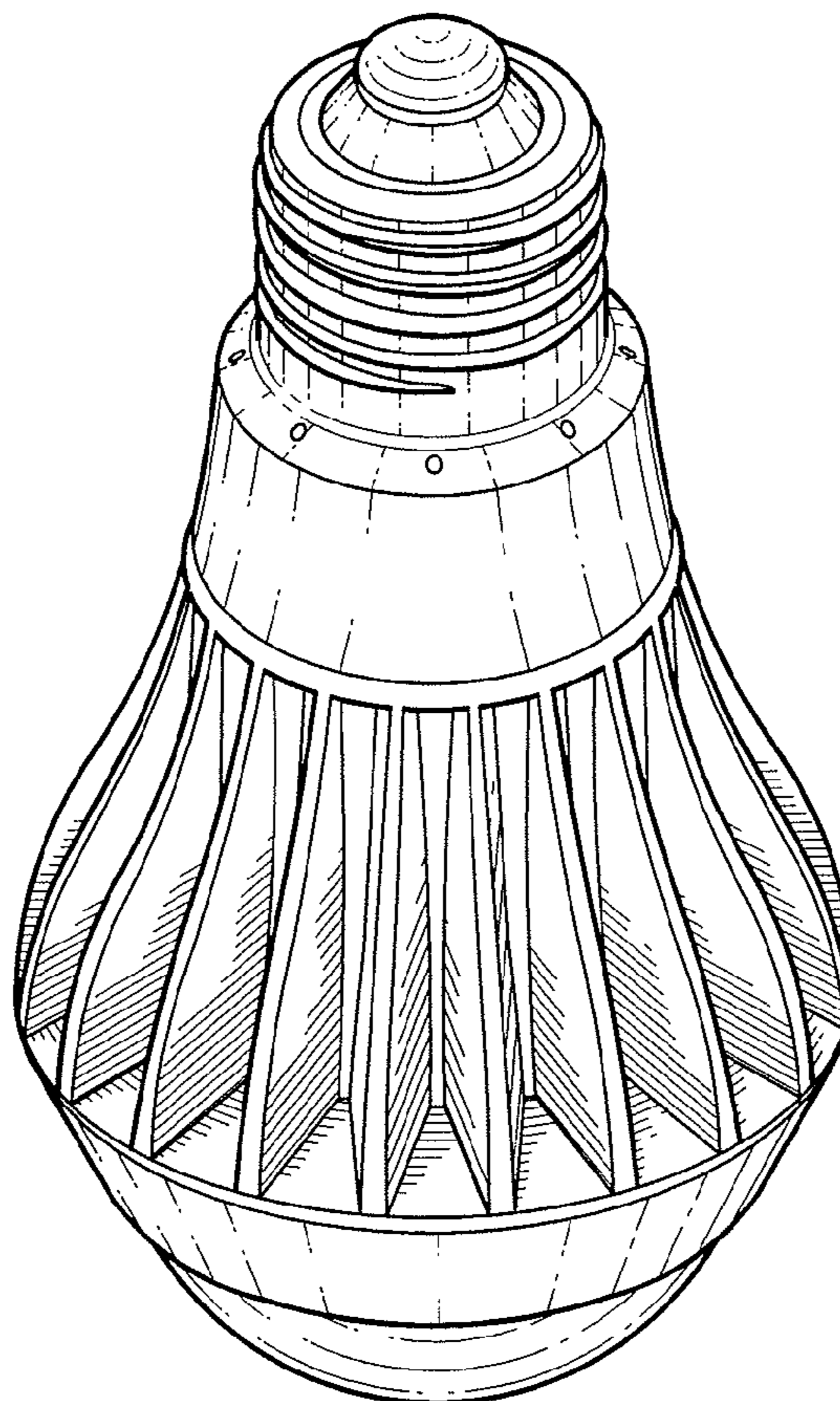
FIG. 4 is a left side view of a LED lamp of FIG. 1.

FIG. 5 is a right side view of a LED lamp of FIG. 1.

FIG. 6 is a top view of a LED lamp of FIG. 1; and,

FIG. 7 is a bottom view of a LED lamp of FIG. 1.

1 Claim, 6 Drawing Sheets



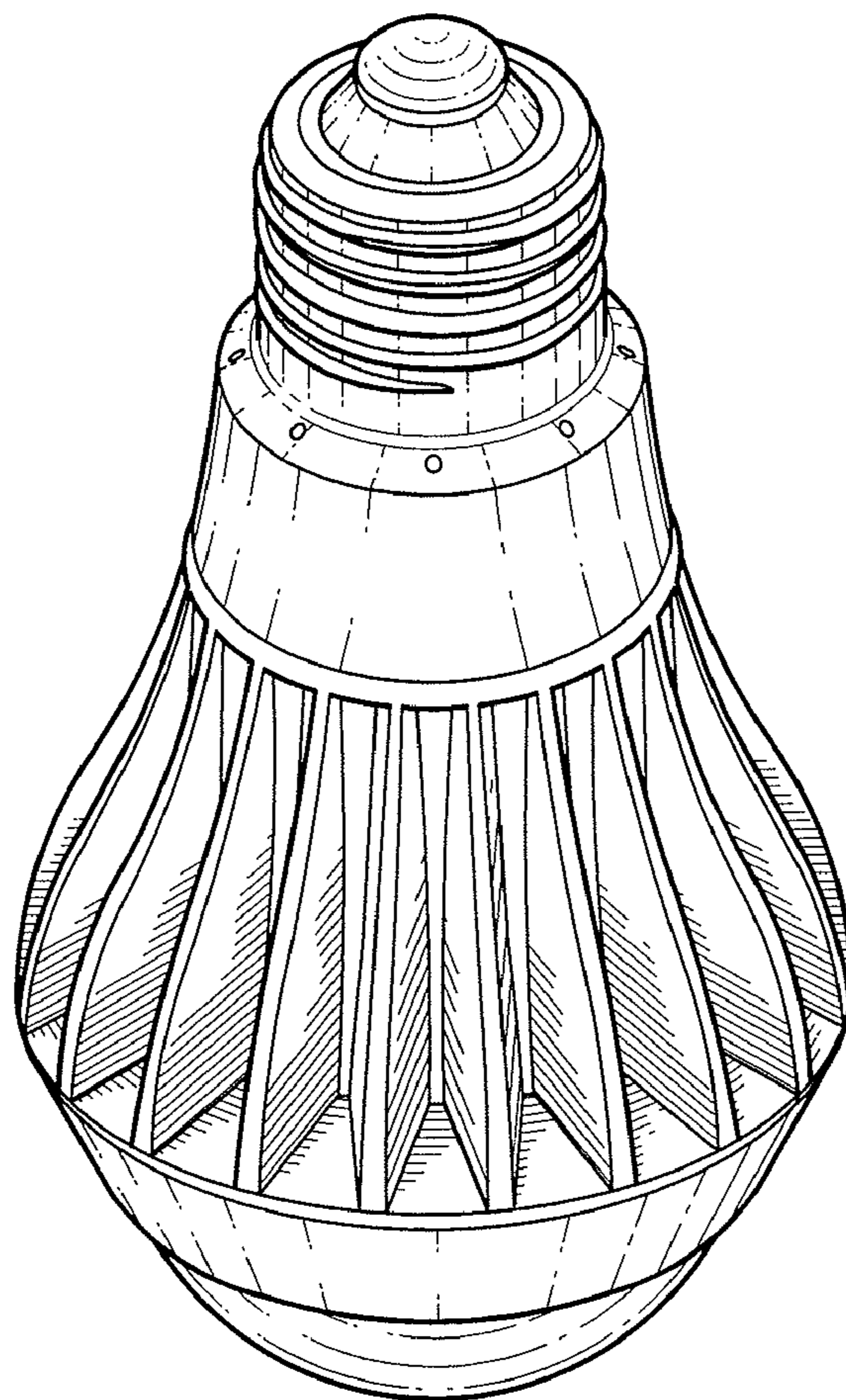


FIG. 1

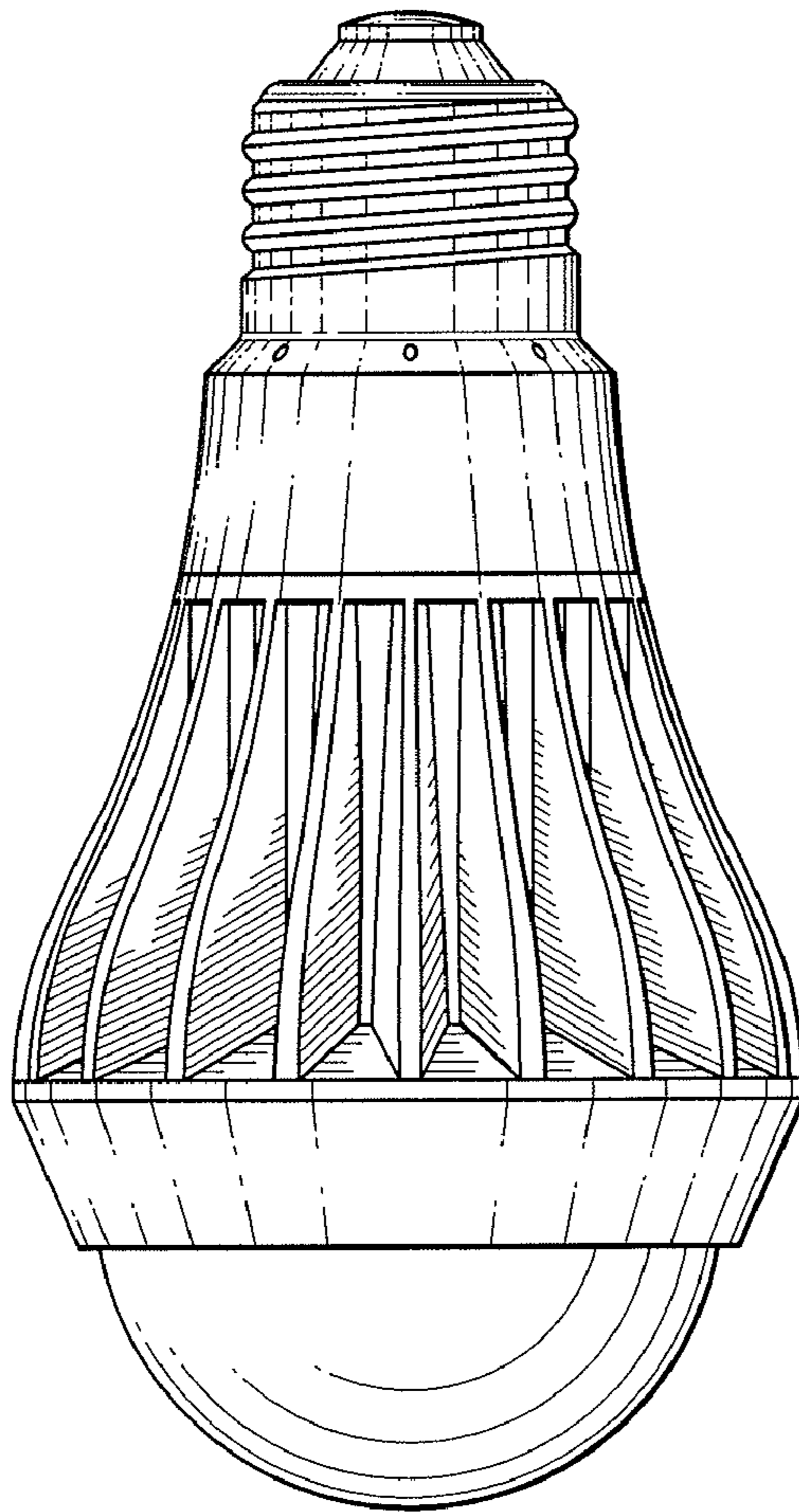


FIG. 2

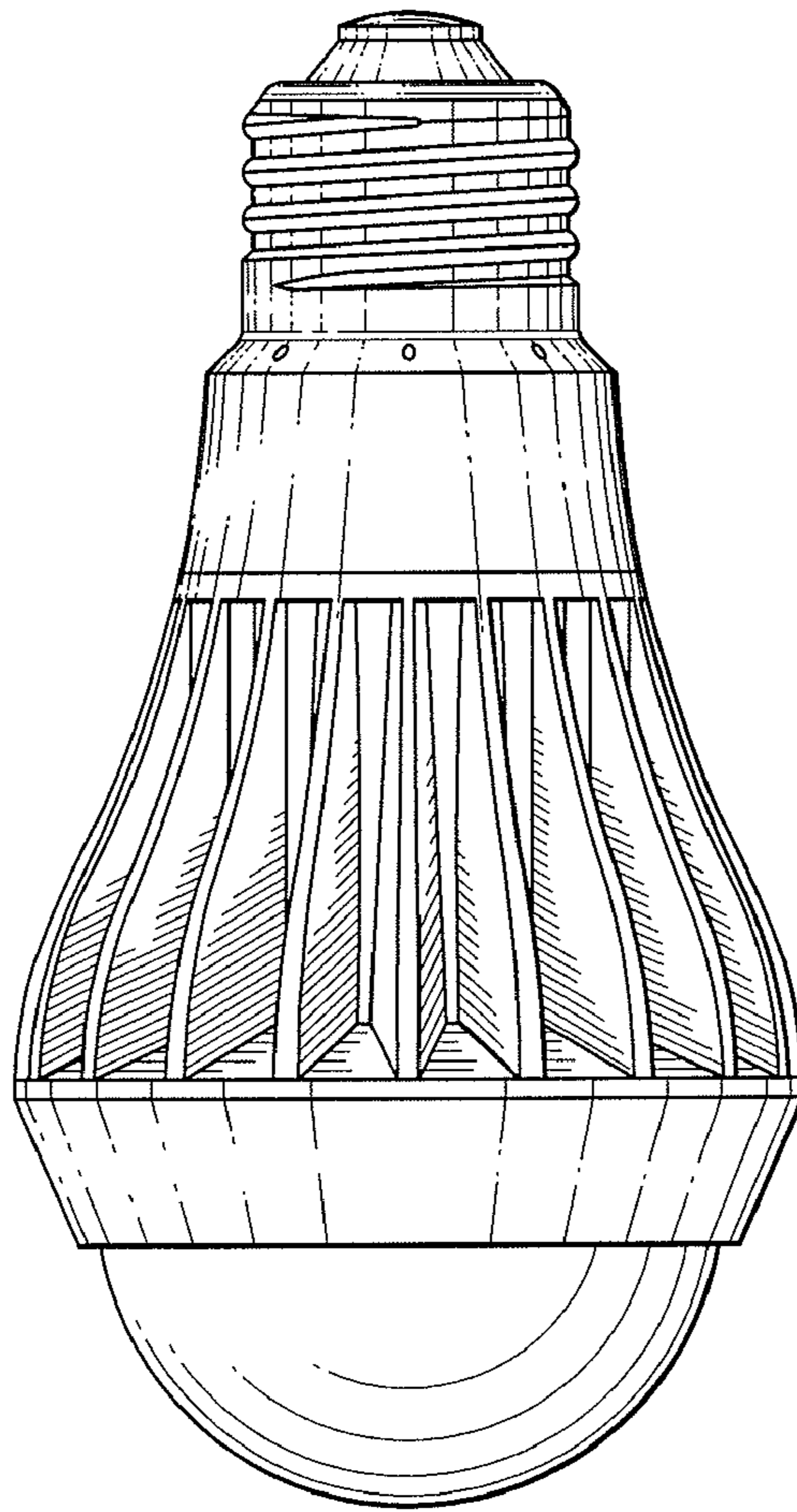


FIG. 3

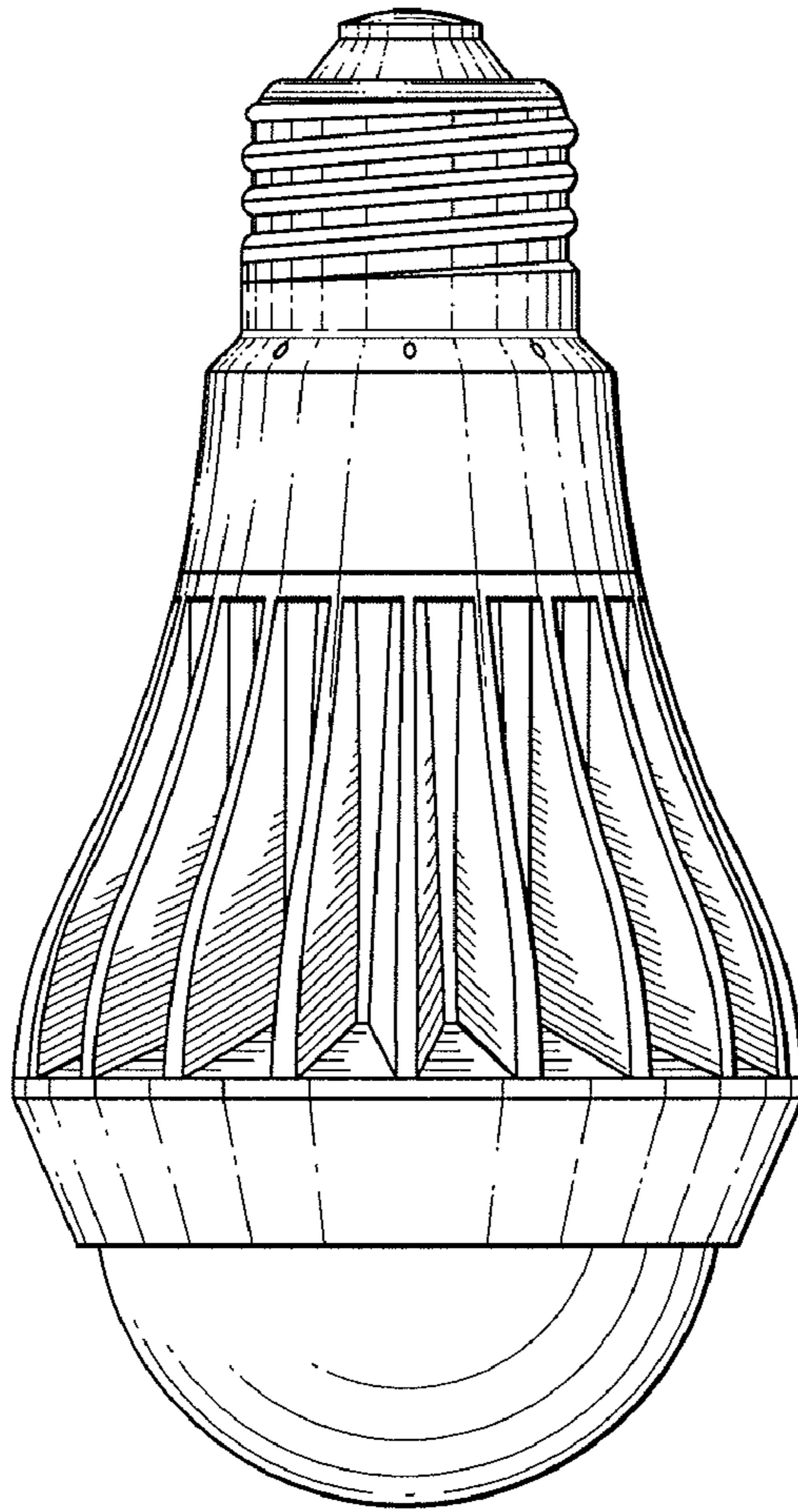


FIG. 4

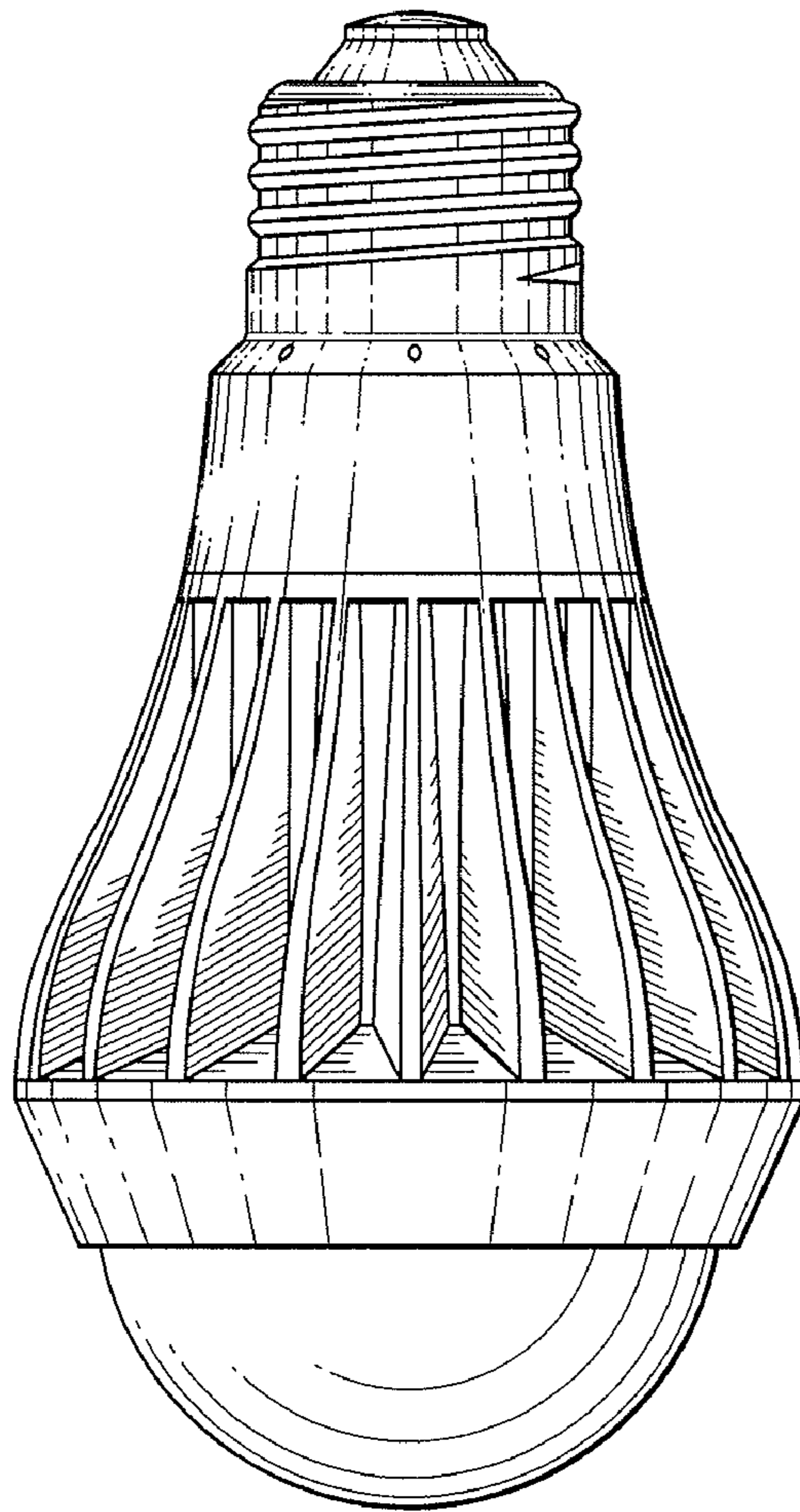


FIG. 5

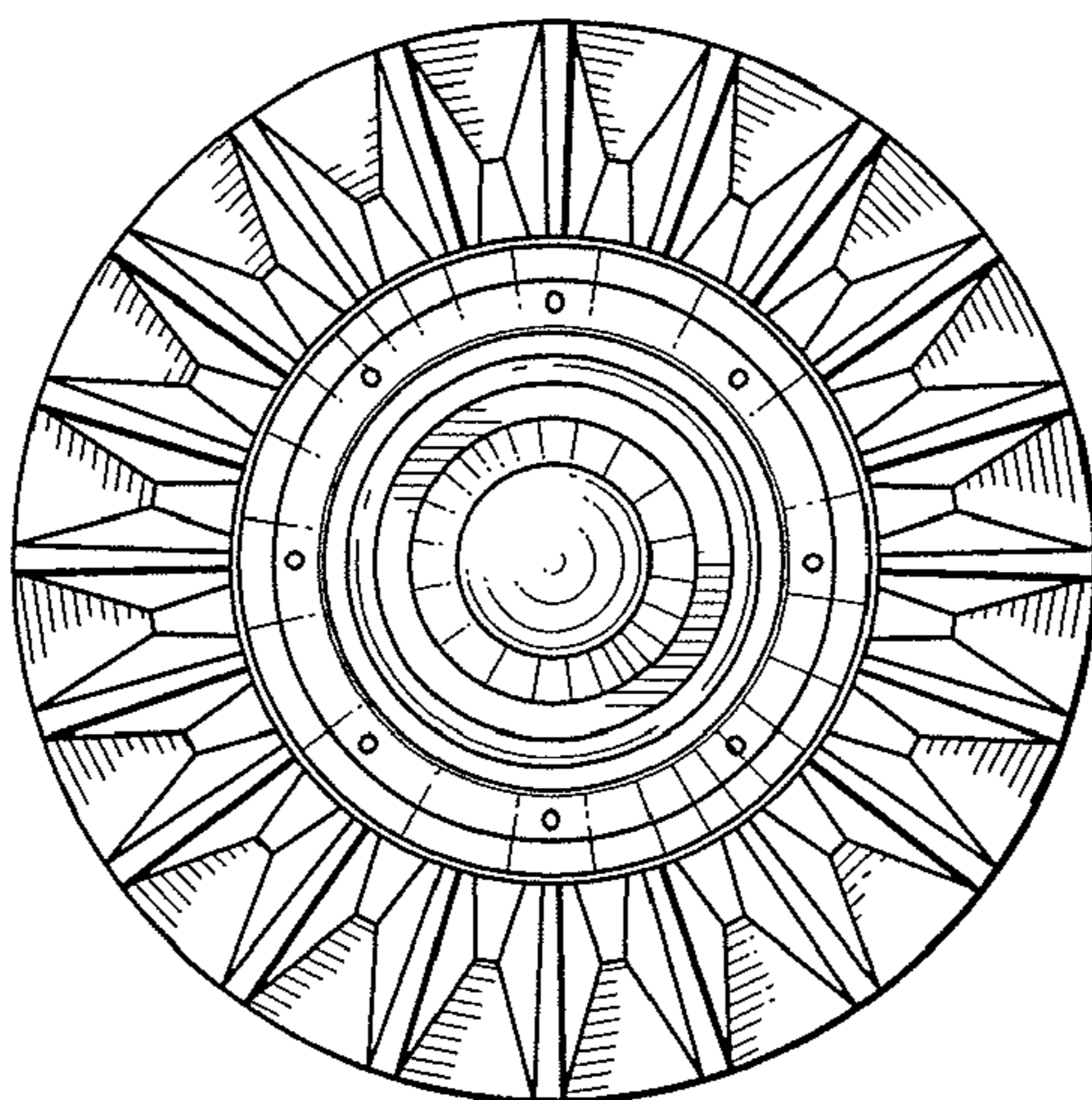


FIG. 6

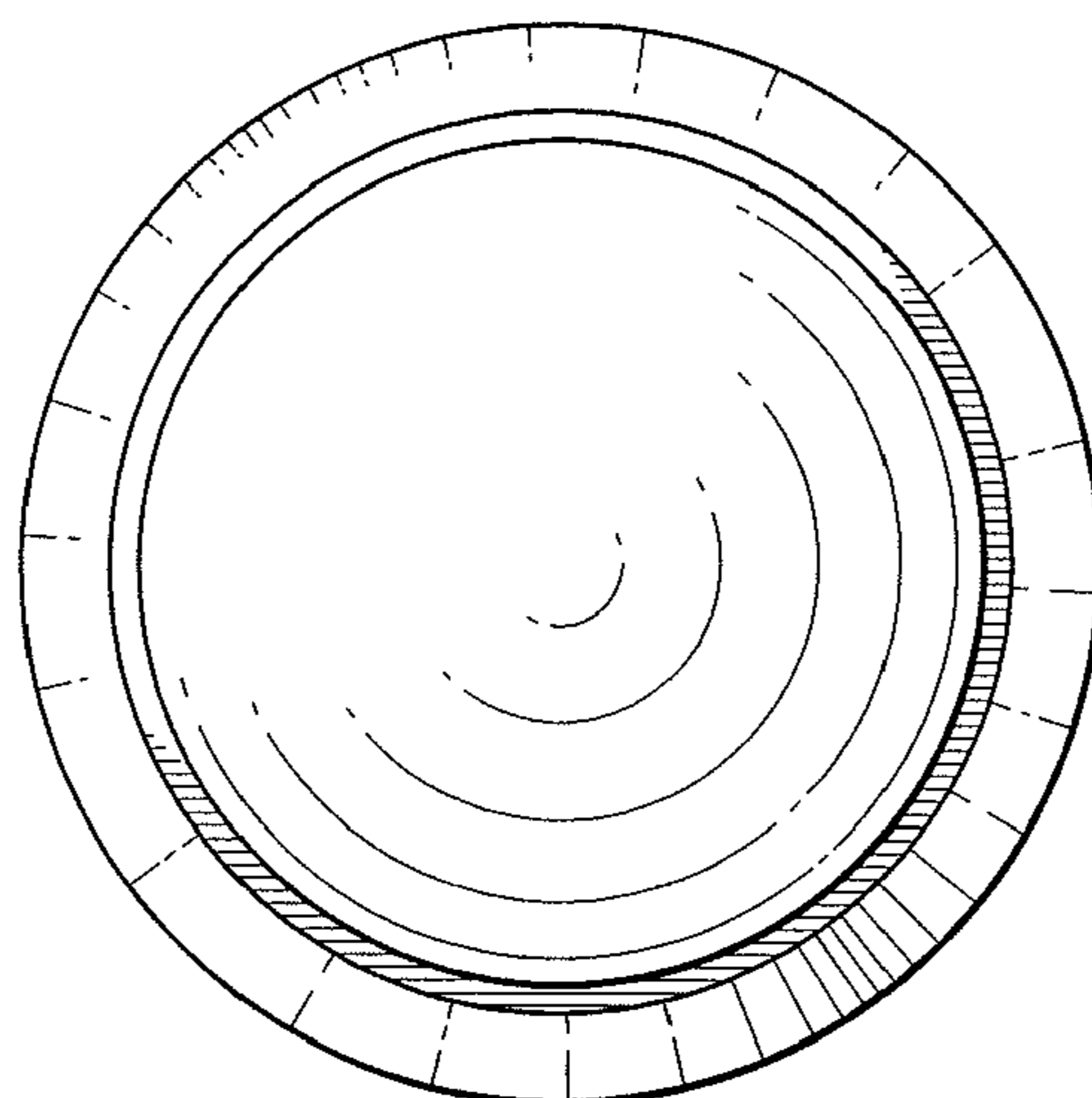


FIG. 7