



US00D646395S

(12) **United States Design Patent**
Habegger et al.

(10) **Patent No.:** **US D646,395 S**

(45) **Date of Patent:** **** Oct. 4, 2011**

(54) **ANKLE CLAMP**

(75) Inventors: **Abraham P. Habegger**, Warsaw, IN (US); **Jeffery A. VanDiepenbos**, Syracuse, IN (US); **Lindsay M. Hack**, Winona Lake, IN (US)

(73) Assignee: **Zimmer, Inc.**, Warsaw, IN (US)

(**) Term: **14 Years**

(21) Appl. No.: **29/362,749**

(22) Filed: **May 28, 2010**

(51) **LOC (9) Cl.** **24-01**

(52) **U.S. Cl.** **D24/192**

(58) **Field of Classification Search** D24/190, D24/192; 602/11, 16, 23, 27, 28, 29, 65; 606/82, 86 R, 88; 601/27-34; 128/882, 128/892, 893

See application file for complete search history.

(56) **References Cited**

U.S. PATENT DOCUMENTS

2,966,905	A *	1/1961	Kamenshine	601/34
3,750,659	A *	8/1973	Loomans	602/23
3,986,502	A *	10/1976	Gilson	602/11
5,197,944	A *	3/1993	Steele	602/27
D351,438	S *	10/1994	Weaver	D21/781

6,221,035	B1 *	4/2001	Kana et al.	602/16
D514,225	S *	1/2006	Sassi	D24/192
2003/0100907	A1 *	5/2003	Rosa et al.	606/86
2006/0069336	A1 *	3/2006	Krebs et al.	602/28
2010/0192961	A1 *	8/2010	Amiot et al.	128/882

* cited by examiner

Primary Examiner — Susan E Krakower

(74) *Attorney, Agent, or Firm* — Baker & Daniels LLP

(57) **CLAIM**

The ornamental design for an ankle clamp, as shown and described.

DESCRIPTION

FIG. 1 is a perspective view of an ankle clamp illustrating my new design;

FIG. 2 is a rear elevation view thereof;

FIG. 3 is a front elevation view thereof;

FIG. 4 is a right side elevation view thereof;

FIG. 5 is a left side elevation view thereof;

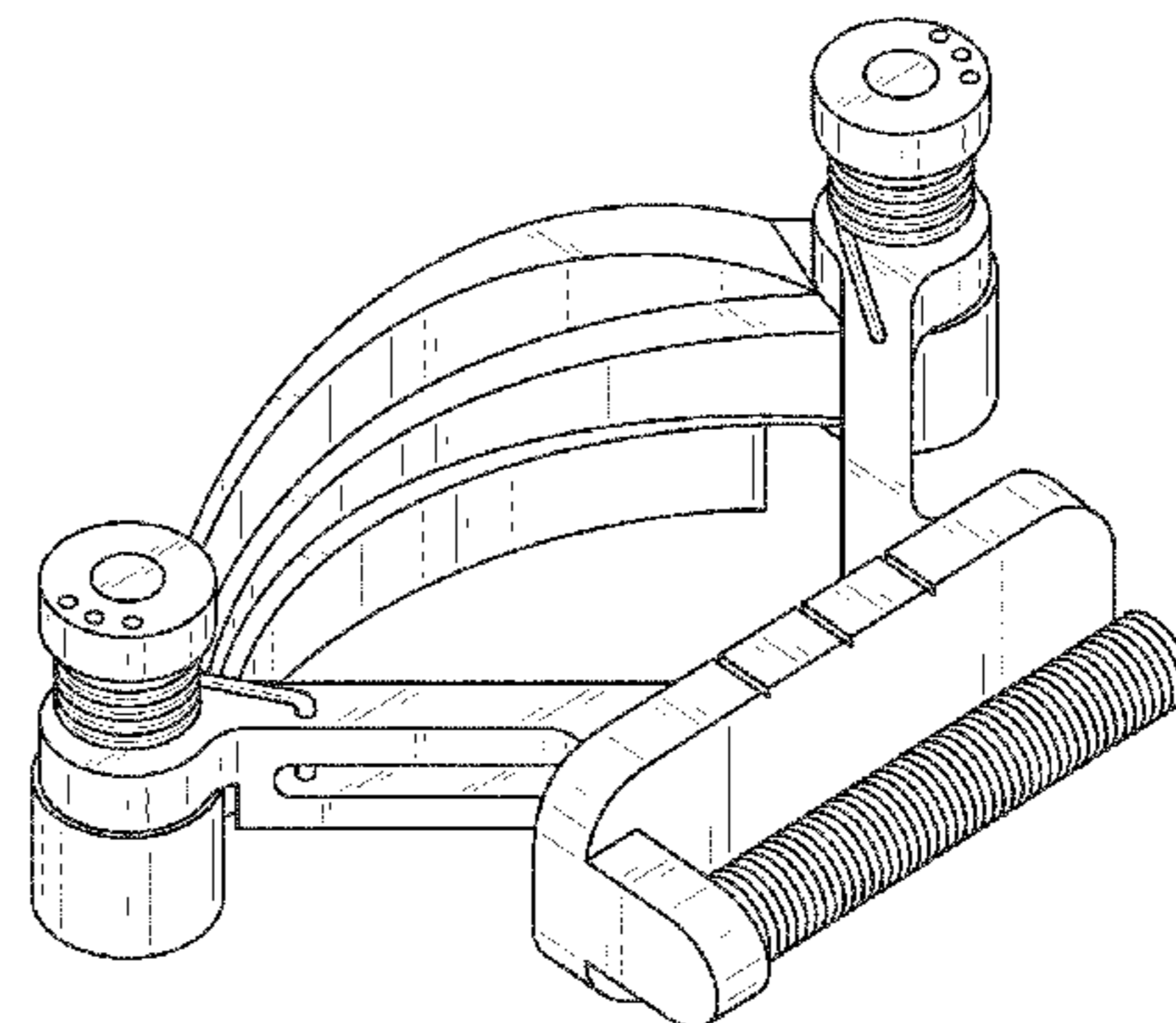
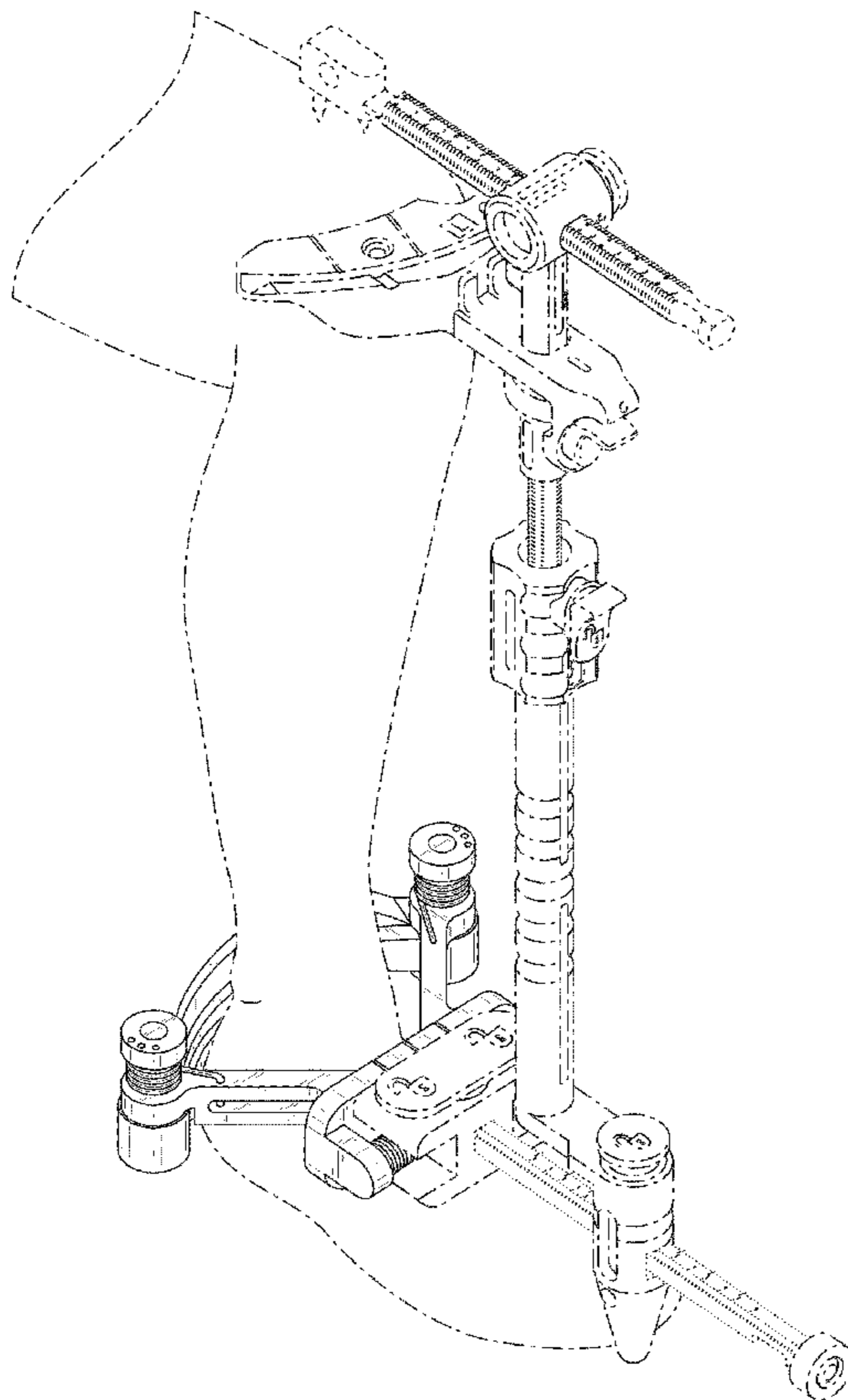
FIG. 6 is a top plan view thereof;

FIG. 7 is a bottom plan view thereof; and,

FIG. 8 is another perspective view thereof.

The broken lines in FIG. 1 illustrate environmental structure and form no part of the claimed design. The broken lines in FIG. 7 illustrate portions of the ankle clamp which form no part of the claimed design.

1 Claim, 5 Drawing Sheets



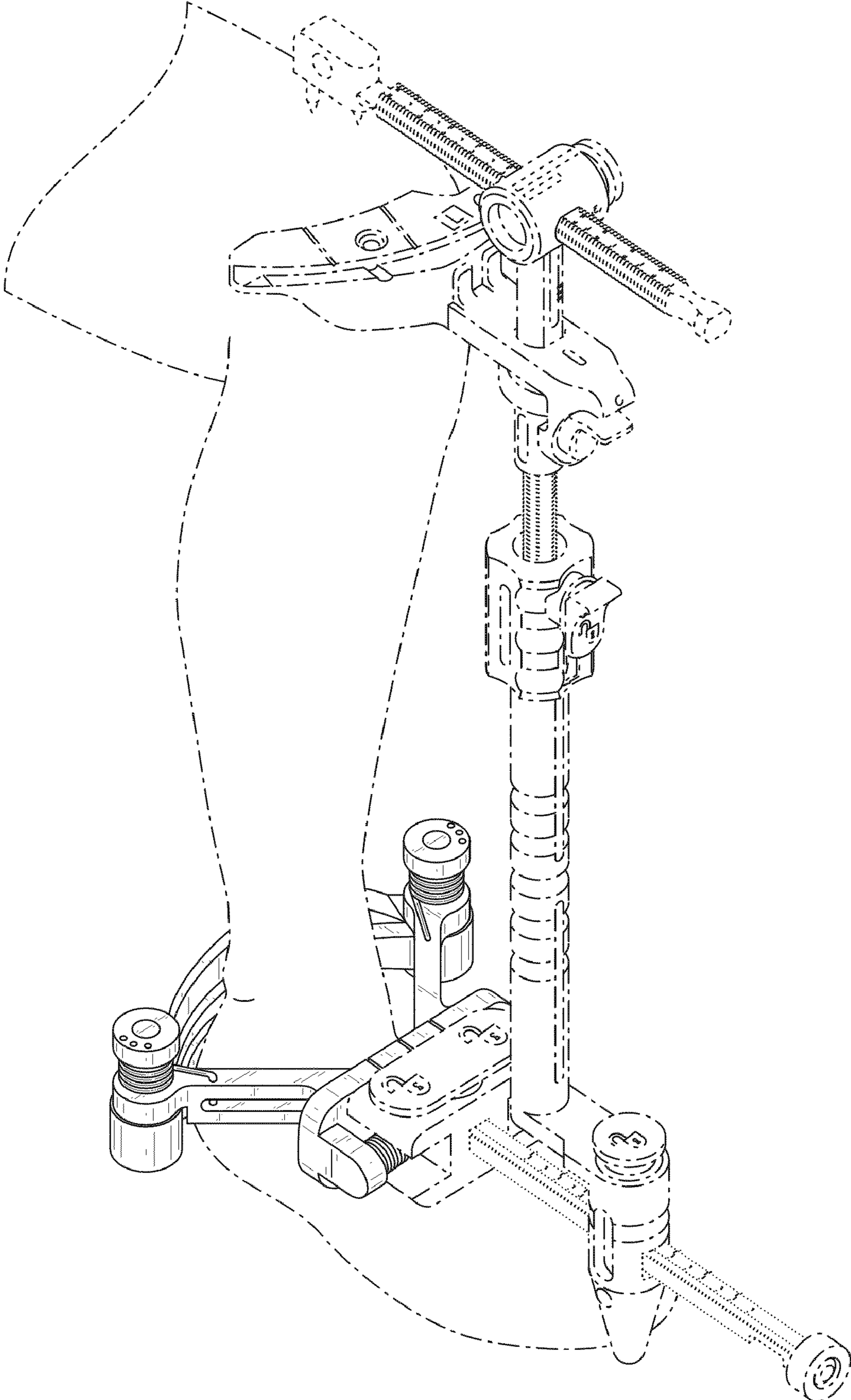


FIG. 1

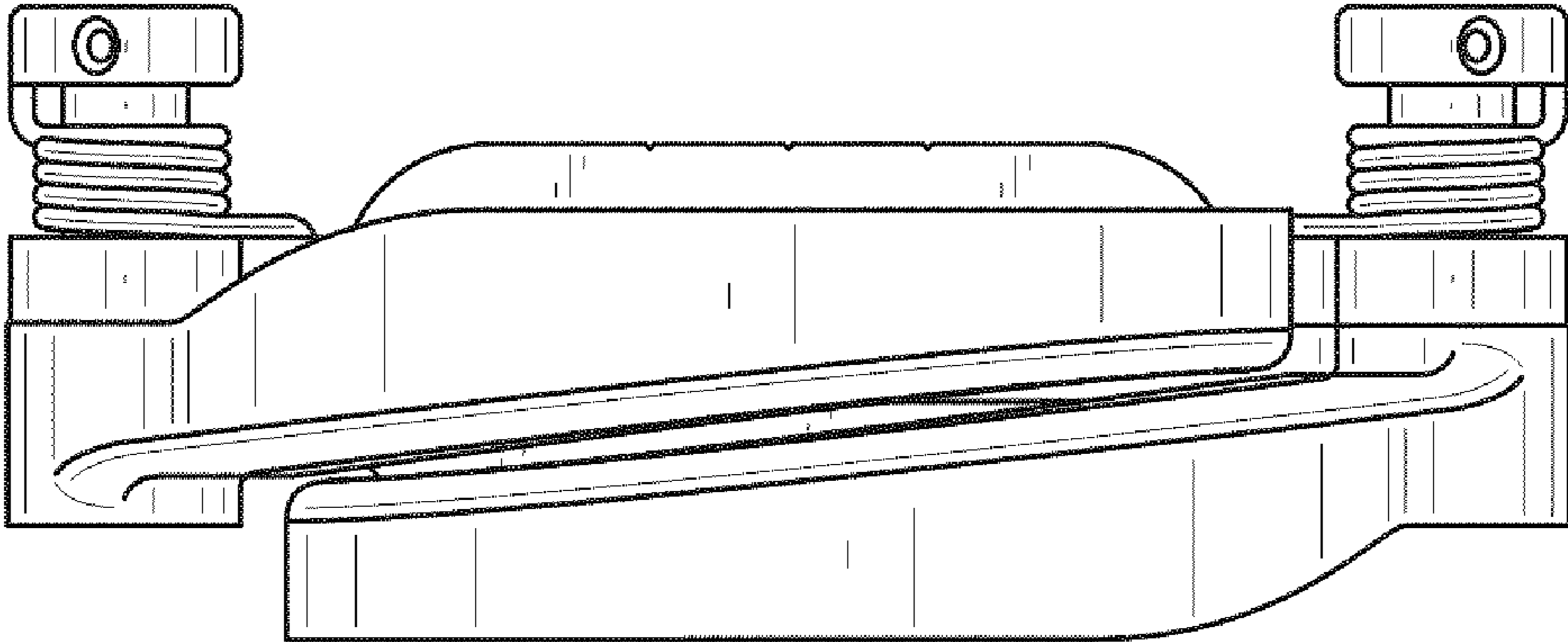


FIG. 2

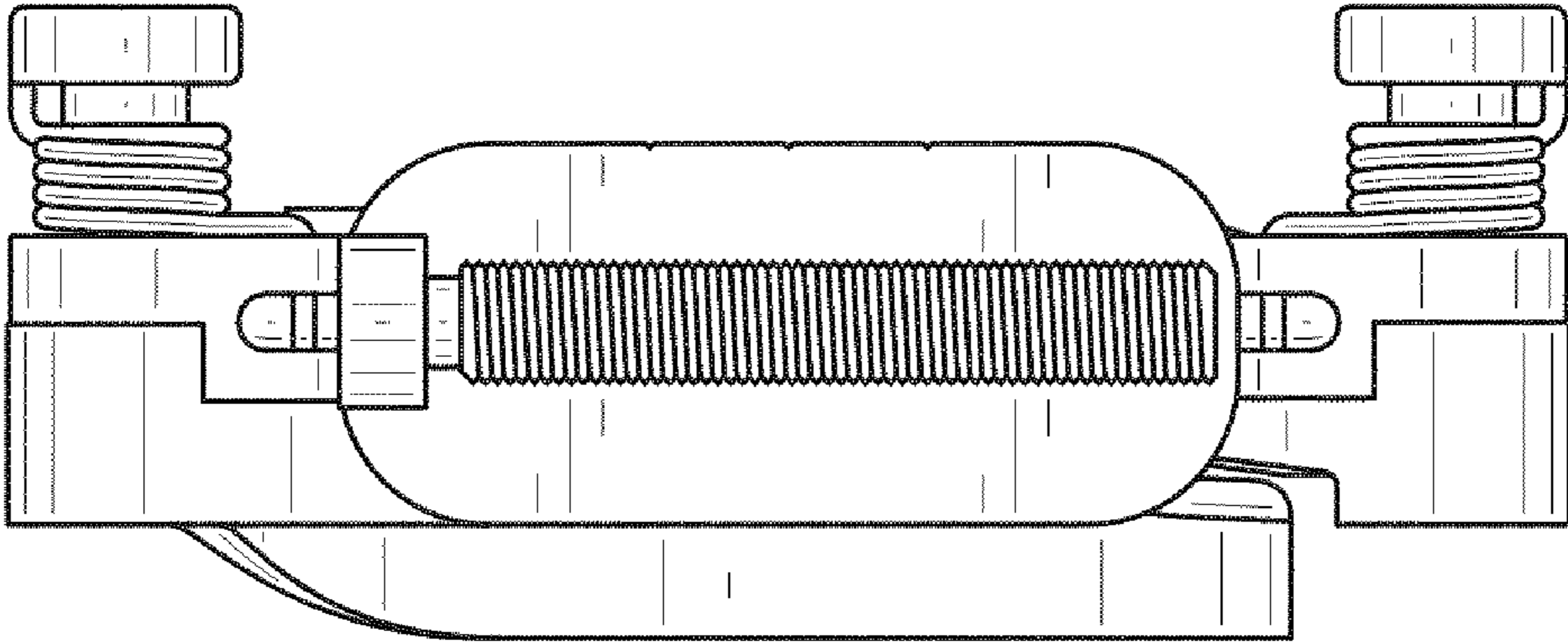


FIG. 3

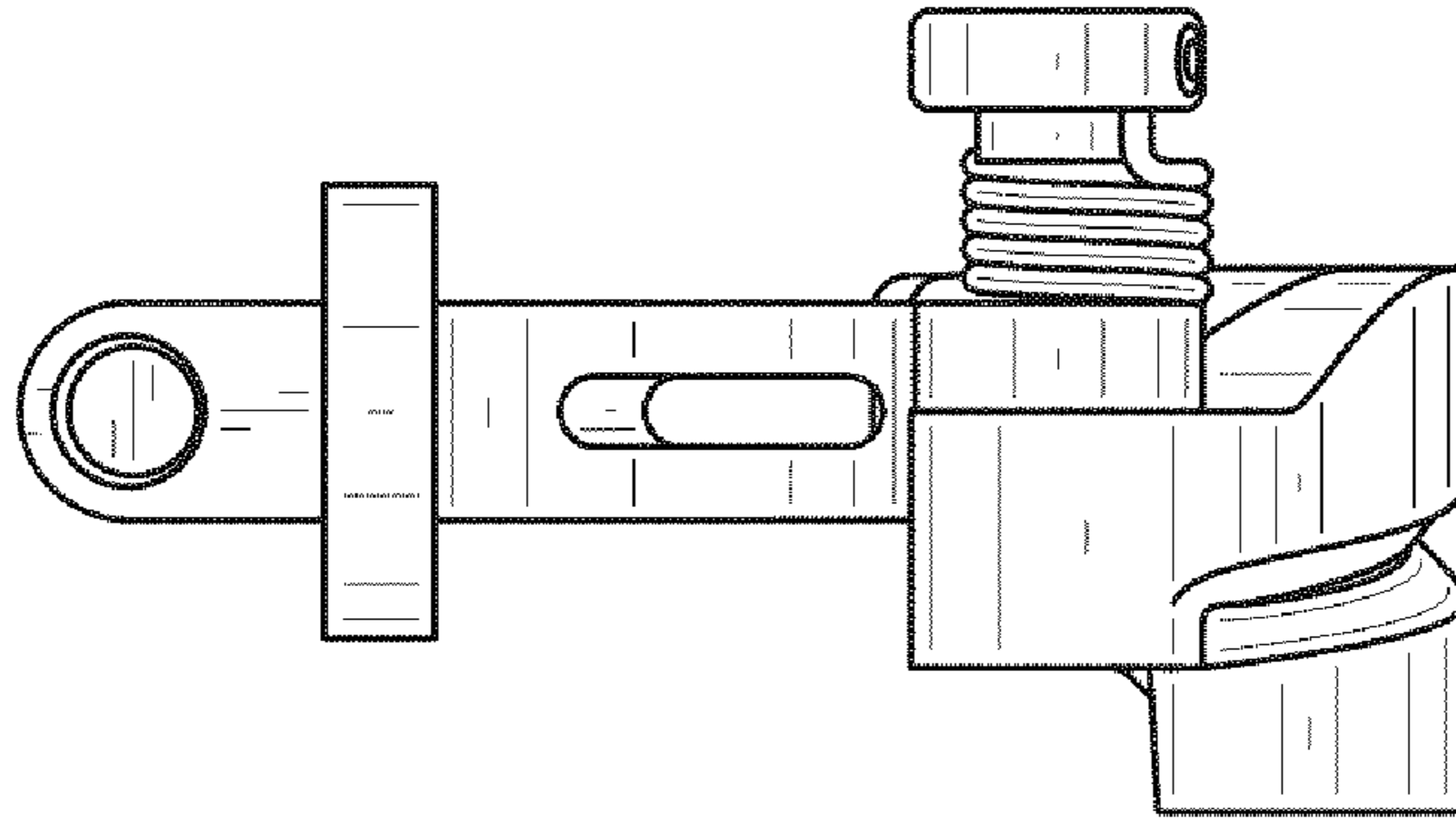


FIG. 4

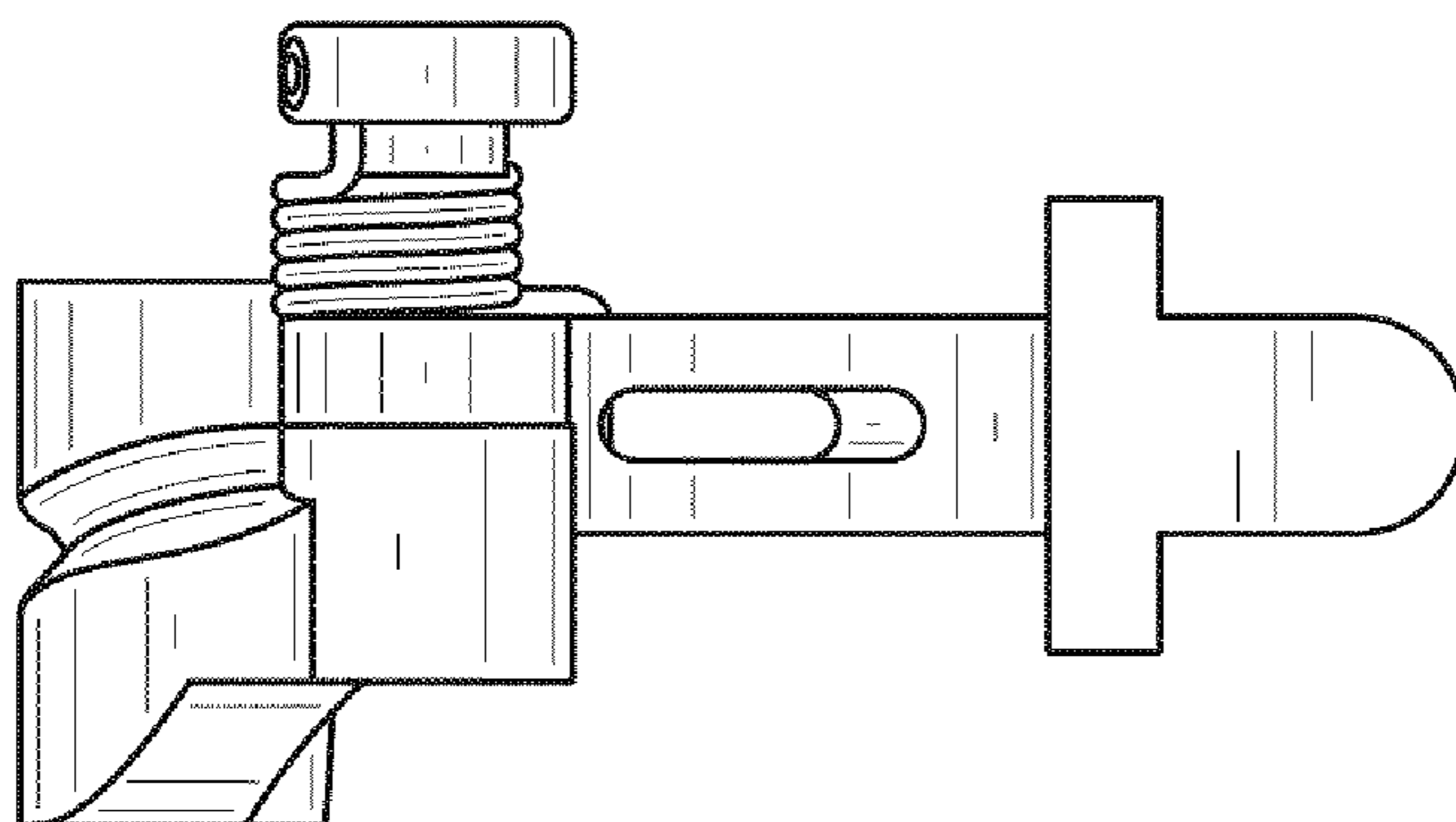


FIG. 5

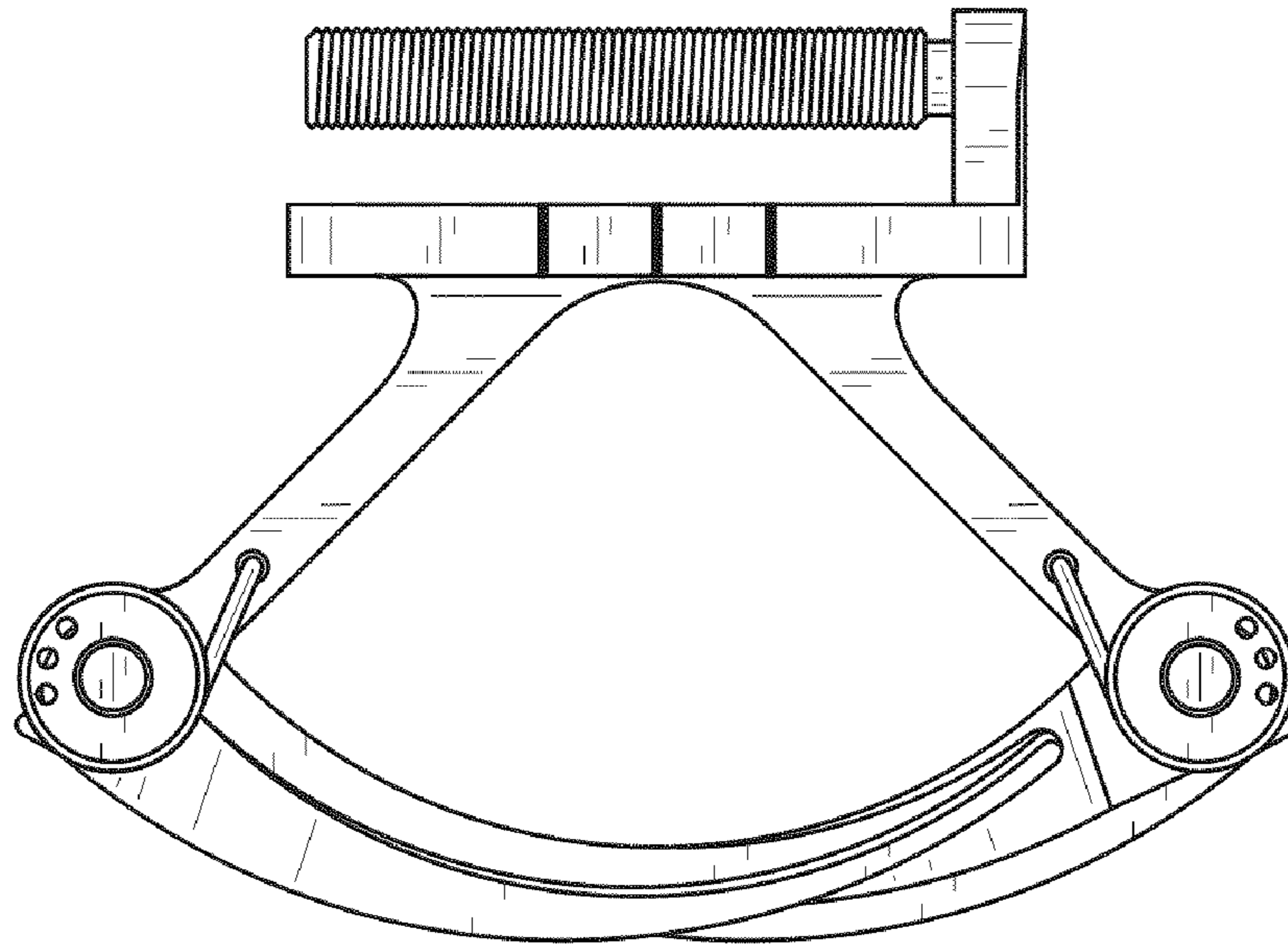


FIG. 6

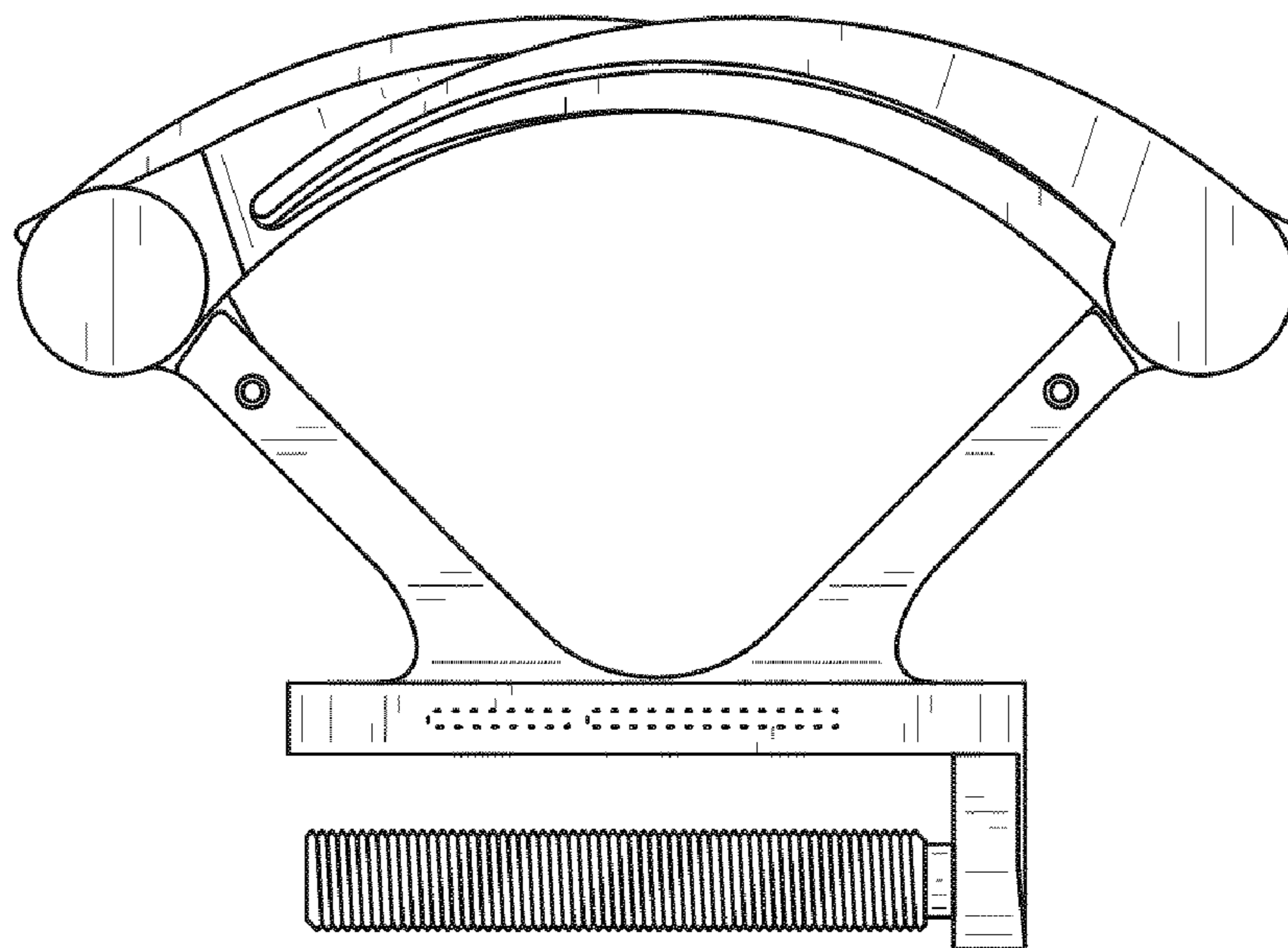


FIG. 7

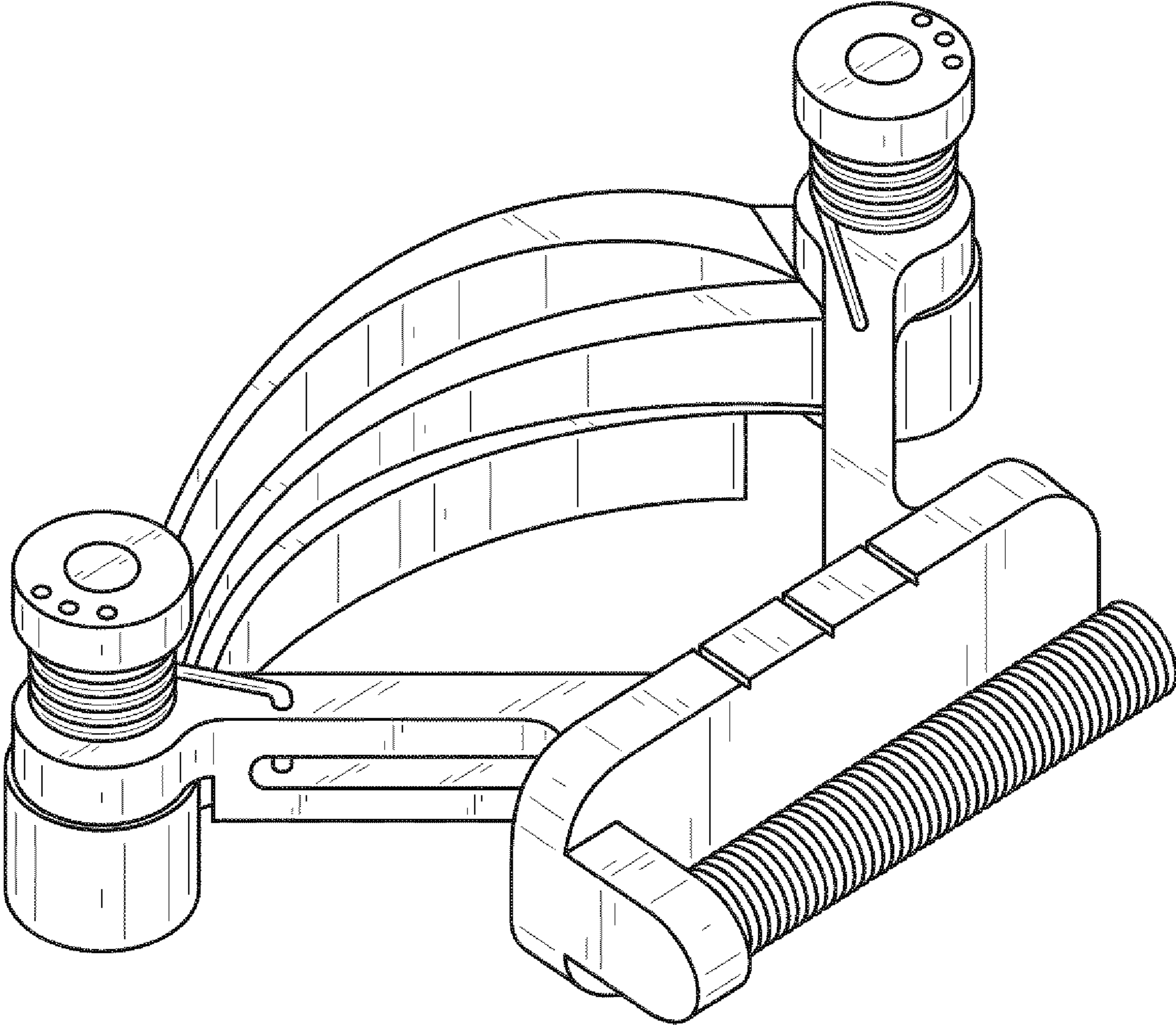


FIG. 8