

US00D646393S

(12) **United States Design Patent**
Juliana et al.

(10) **Patent No.:** **US D646,393 S**
(45) **Date of Patent:** **** Oct. 4, 2011**

(54) **TRANSCRANIAL MAGNETIC STIMULATION SYSTEM**

(75) Inventors: **Vincent A. Juliana**, Exton, PA (US);
Ravi Pillutla, Audubon, PA (US); **Mark E. Riehl**, Doylestown, PA (US)

(73) Assignee: **Neurotics, Inc.**, Malvern, PA (US)

(**) Term: **14 Years**

(21) Appl. No.: **29/283,157**

(22) Filed: **Aug. 7, 2007**

(51) **LOC (9) Cl.** **24-01**

(52) **U.S. Cl.** **D24/186**

(58) **Field of Classification Search** D24/108,
D24/158-161, 176-179, 183, 185-186, 231,
D24/172; D34/12-27; D13/163; 378/10-11,
378/37-39, 178-190, 193, 195-198, 203,
378/208-209; 600/2, 9, 13, 15, 437, 433;
607/2; 312/209

See application file for complete search history.

(56) **References Cited**

U.S. PATENT DOCUMENTS

4,625,731	A *	12/1986	Quedens et al.	600/443
D300,241	S *	3/1989	LaCelle et al.	D24/160
D387,163	S *	12/1997	Osthues et al.	D24/158
D387,168	S *	12/1997	Edelman et al.	D24/186
D397,440	S *	8/1998	Baars	D24/158
D410,544	S *	6/1999	Metzler et al.	D24/172
6,022,088	A *	2/2000	Metzler	312/209
D438,952	S *	3/2001	Cimino et al.	D24/185
D447,567	S *	9/2001	Murphy et al.	D24/172
D467,001	S *	12/2002	Buczek et al.	D24/172
D469,182	S *	1/2003	Choi et al.	D24/158
D478,171	S *	8/2003	Malmen	D24/158
6,626,445	B2 *	9/2003	Murphy et al.	312/209
6,629,927	B1 *	10/2003	Mesaros et al.	600/437

6,644,853	B1 *	11/2003	Kantor et al.	378/203
D486,915	S *	2/2004	Warschewske et al.	D34/14
D492,997	S *	7/2004	DiStasio	D24/158
D517,768	S *	3/2006	Arceta	D34/12
D525,592	S *	7/2006	Nguyen	D13/163
D542,911	S *	5/2007	Joyce et al.	D24/108
D553,748	S *	10/2007	Ogiwara	D24/158
D558,877	S *	1/2008	Ogiwara	D24/158
D571,920	S *	6/2008	Juliana et al.	D24/185
2005/0148808	A1 *	7/2005	Cameron et al.	600/13
2005/0228209	A1 *	10/2005	Schneider et al.	600/9
2005/0256539	A1 *	11/2005	George et al.	607/2
2006/0287566	A1 *	12/2006	Zangen et al.	600/15

* cited by examiner

Primary Examiner — T. Chase Nelson

Assistant Examiner — Mark Cavanna

(74) *Attorney, Agent, or Firm* — Condo Roccia LLP

(57) **CLAIM**

We claim an ornamental design for a transcranial magnetic stimulation system, as shown, and described.

DESCRIPTION

FIG. 1 is a right perspective view of a transcranial magnetic stimulation system in accordance with the design; FIG. 2 is a left perspective view of the transcranial magnetic stimulation system of the design that is depicted in FIG. 1; FIG. 3 is a right side view of the transcranial magnetic stimulation system of the design that is depicted in FIGS. 1-2; FIG. 4 is a left side view of the transcranial magnetic stimulation system of the design that is depicted in FIGS. 1-3; FIG. 5 is a top view of the transcranial magnetic stimulation system of the design that is depicted in FIGS. 1-4; and, FIG. 6 is a front view of the transcranial magnetic stimulation system of the design that is depicted in FIGS. 1-5. The dashed lines are shown in the views for illustrative purposes only and form no part of the claimed design.

1 Claim, 6 Drawing Sheets

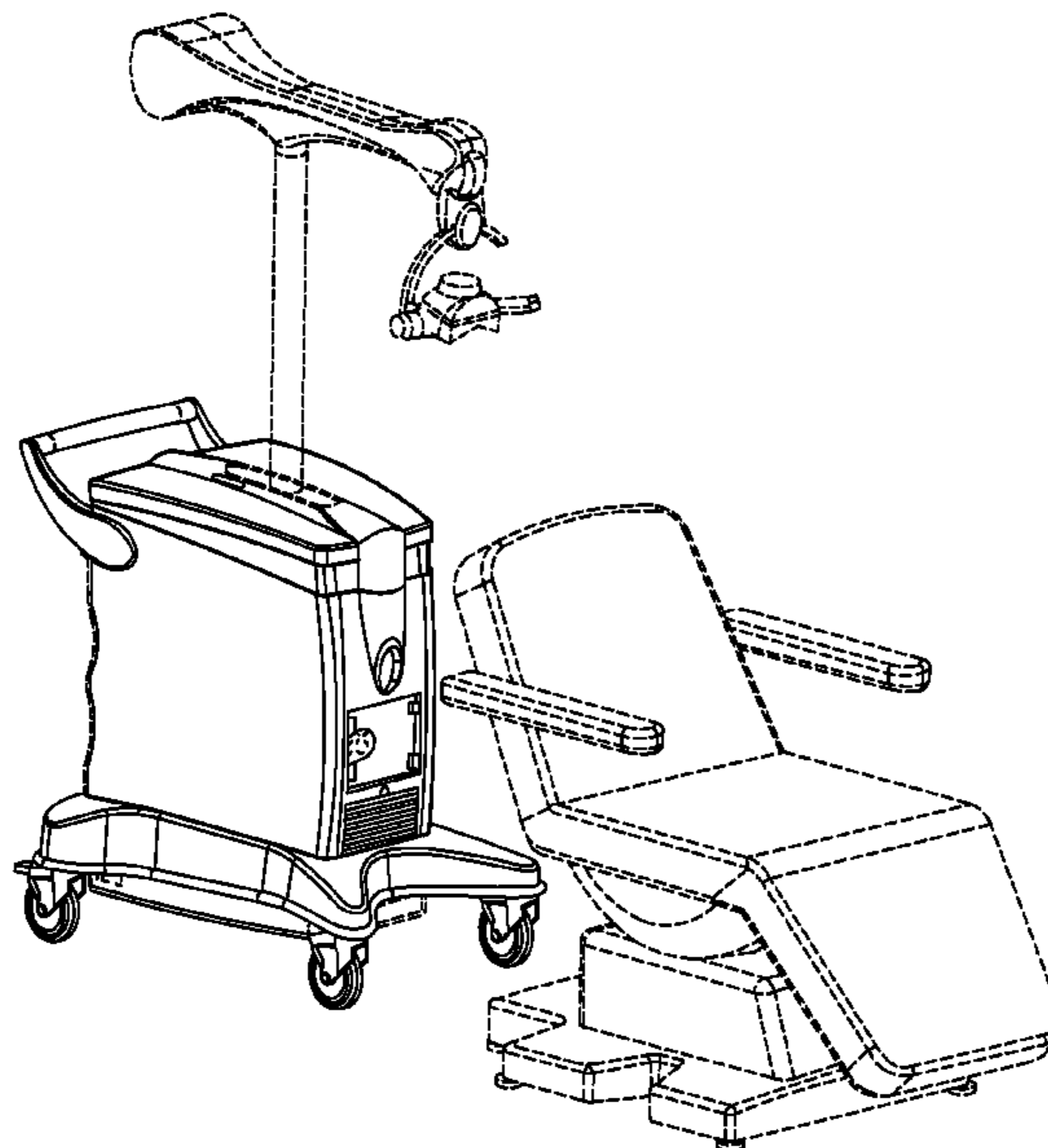
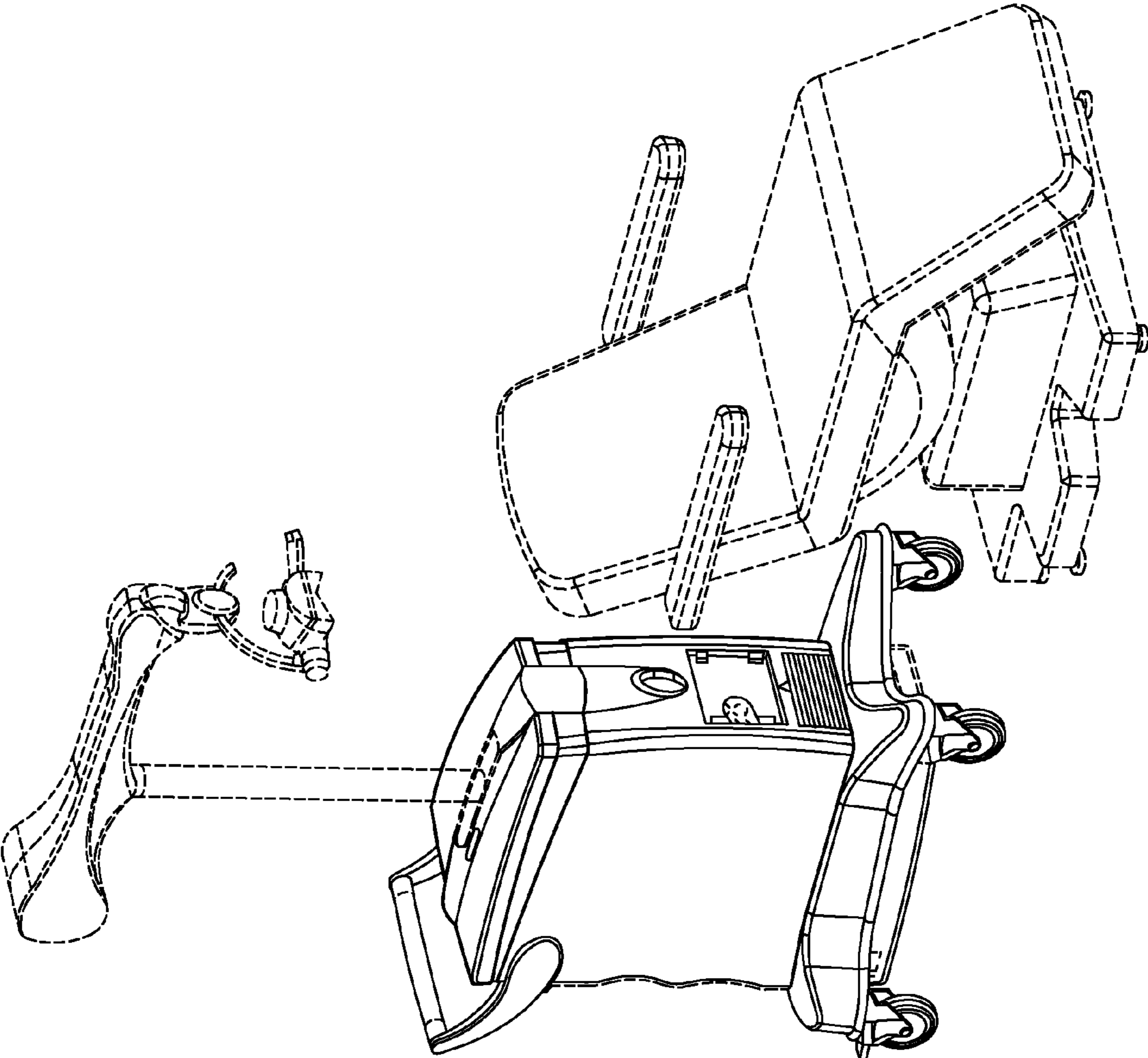


FIG. 1



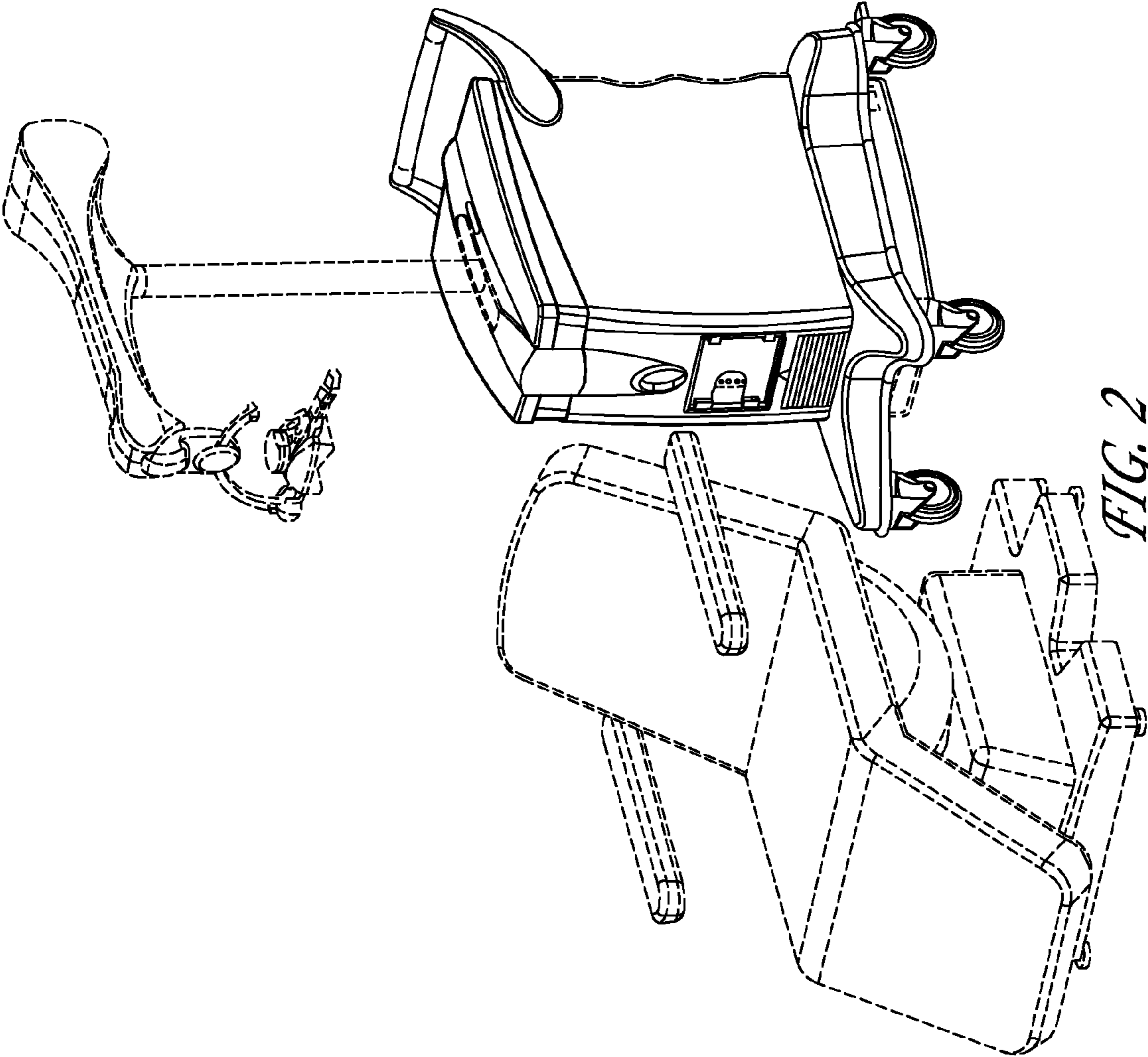
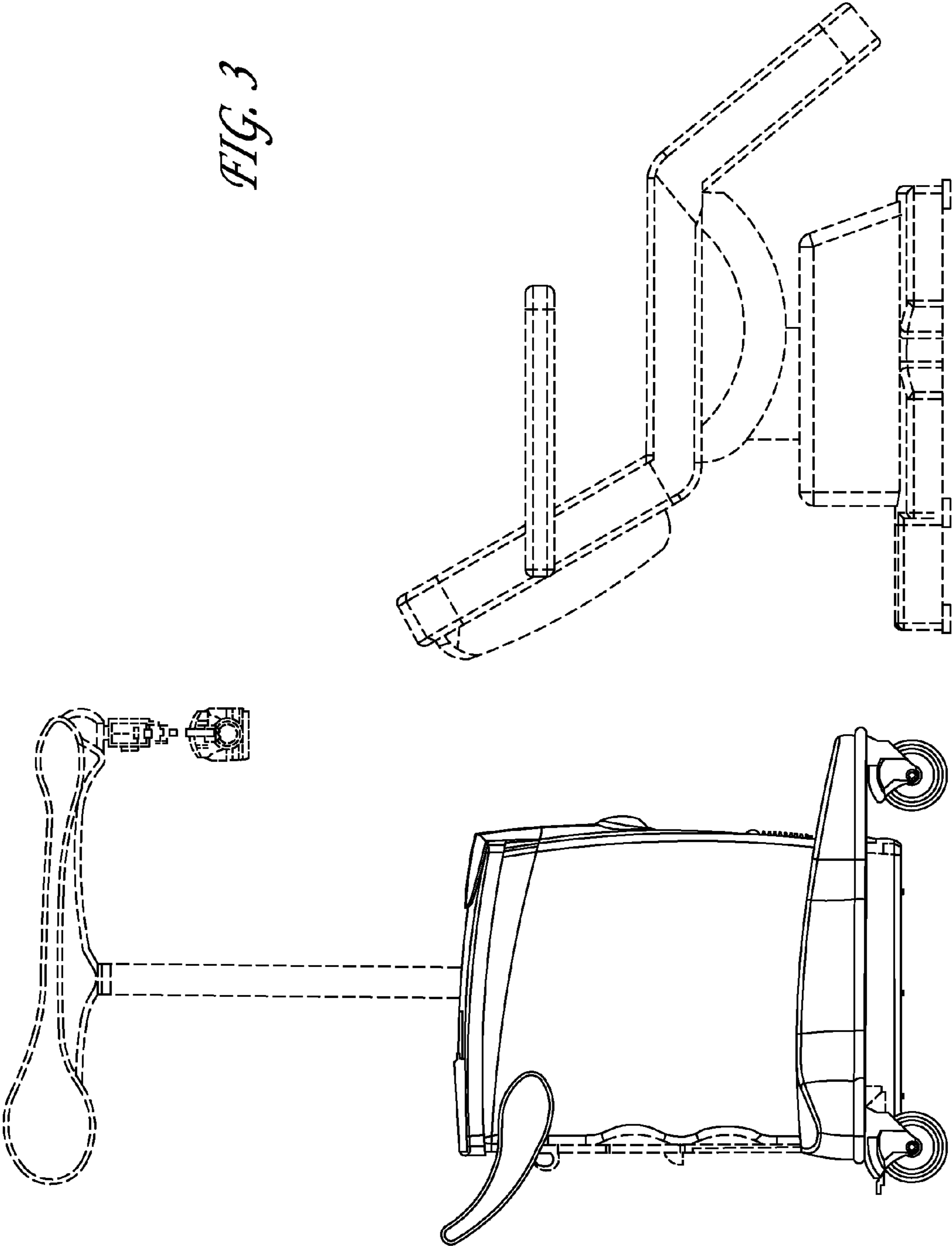


FIG. 2

FIG. 3



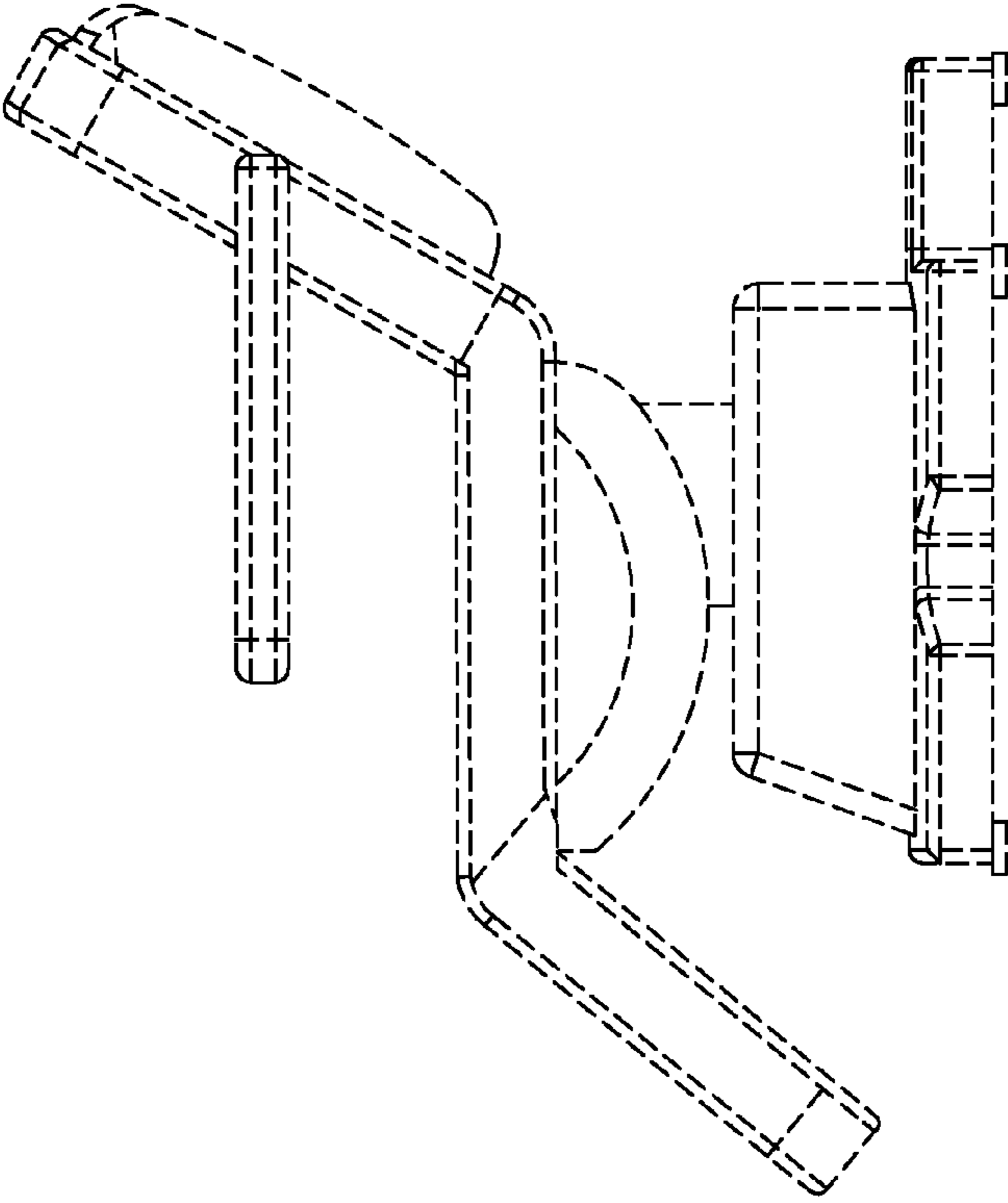
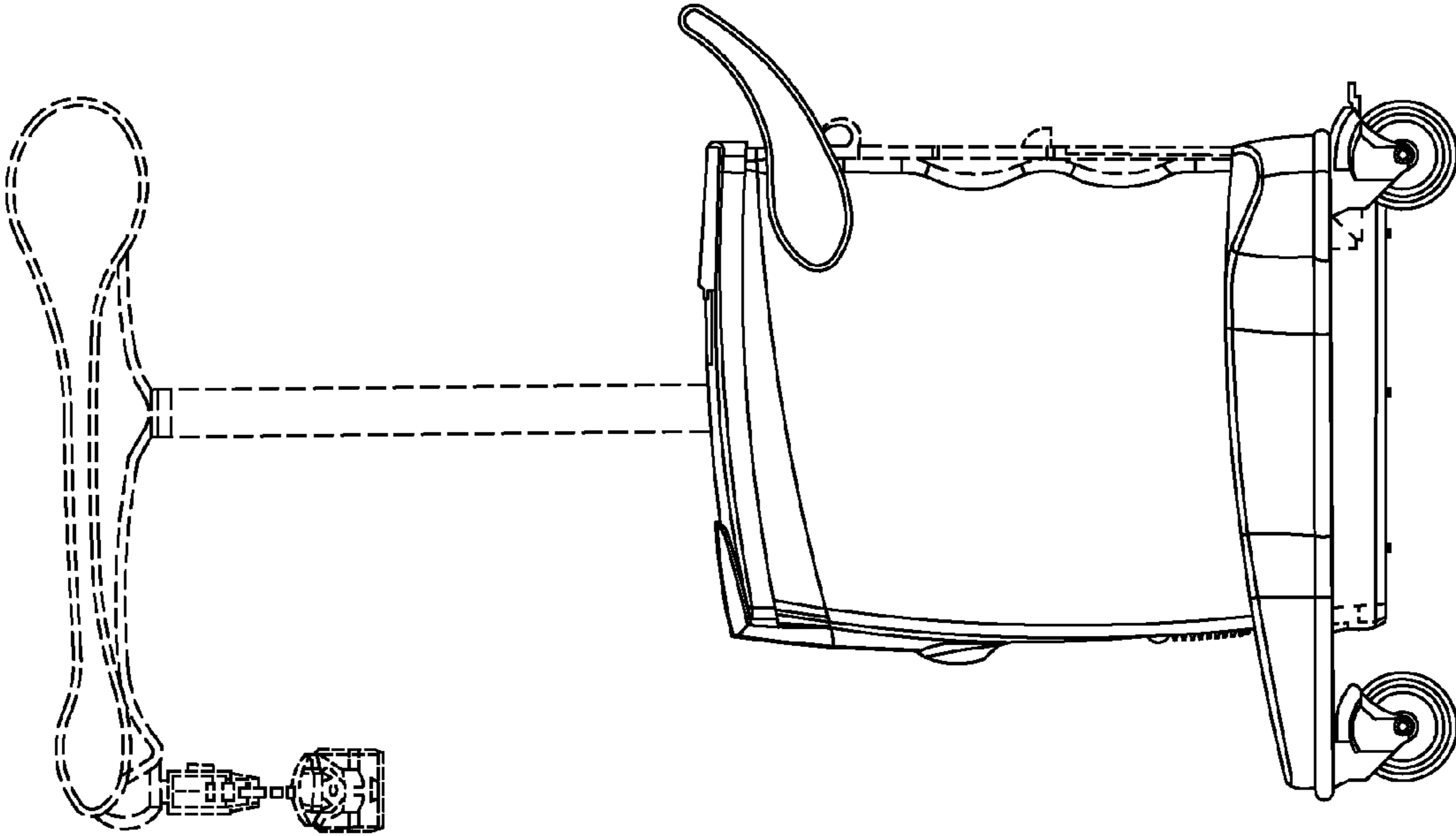


FIG. 4

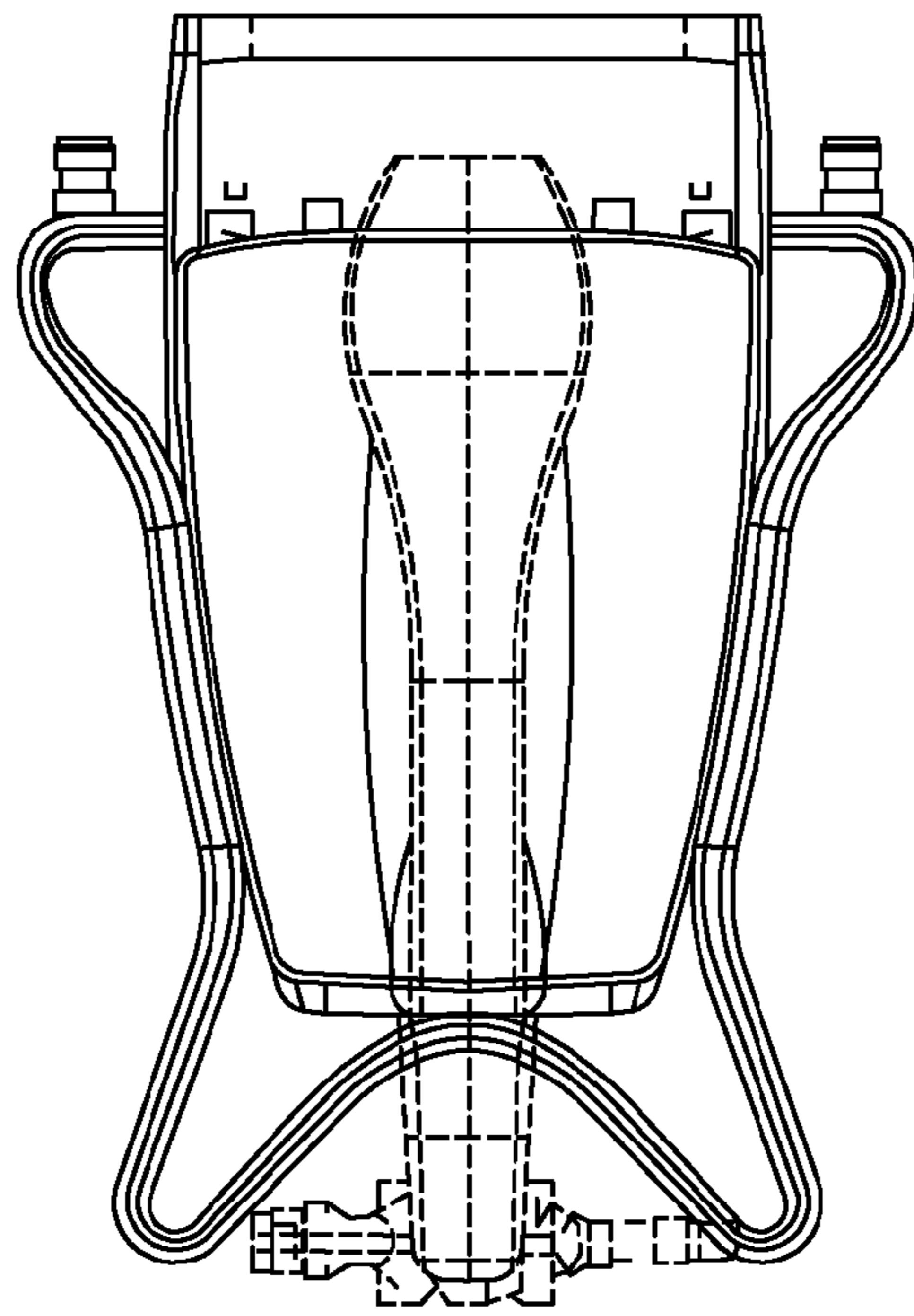
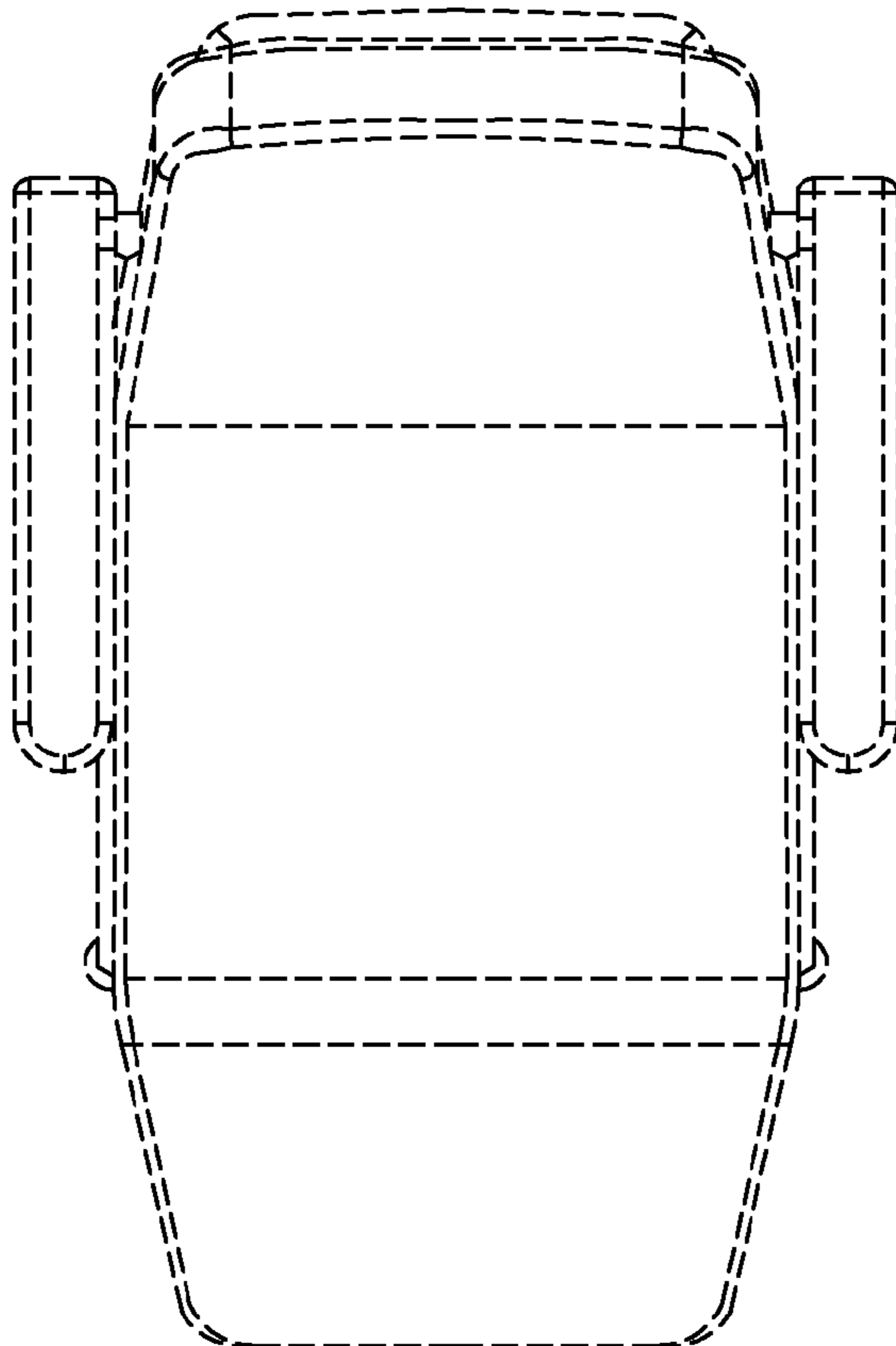


FIG. 5



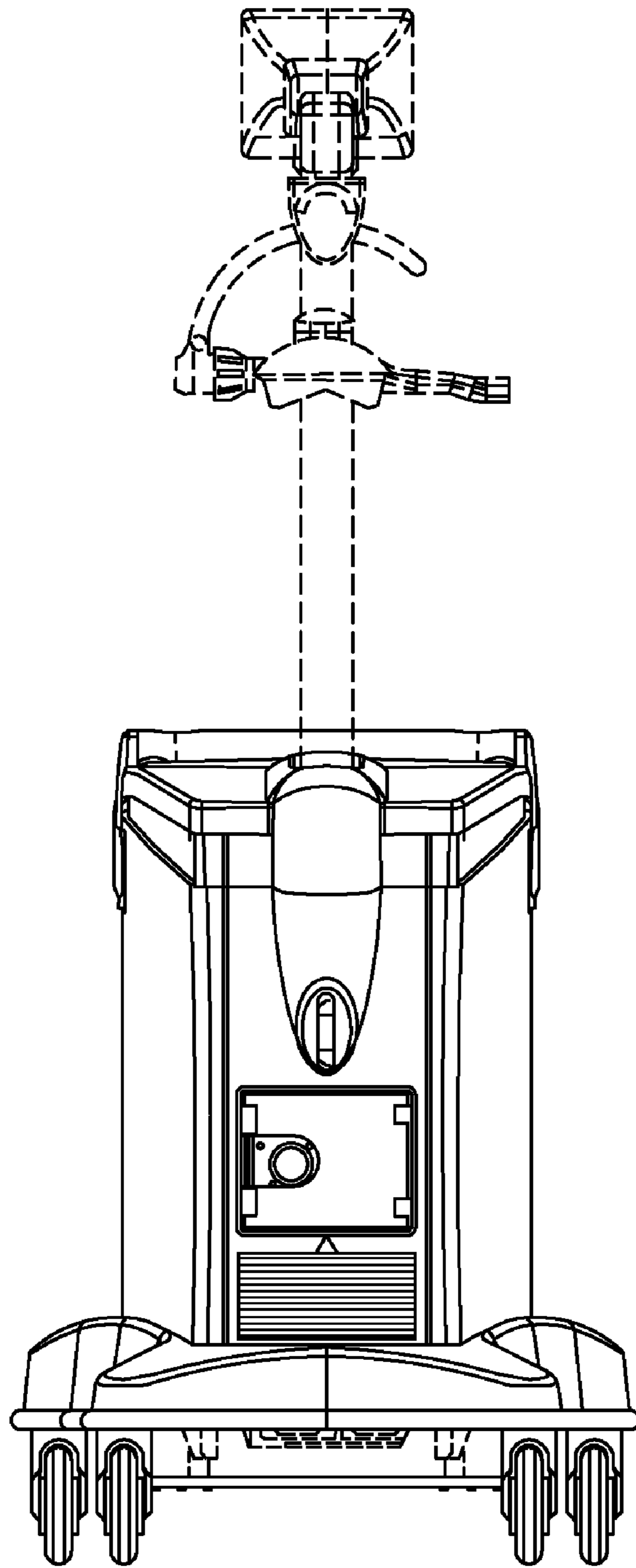


FIG. 6

UNITED STATES PATENT AND TRADEMARK OFFICE
CERTIFICATE OF CORRECTION

PATENT NO. : D646,393 S
APPLICATION NO. : 29/283157
DATED : October 4, 2011
INVENTOR(S) : Juliana et al.

Page 1 of 1

It is certified that error appears in the above-identified patent and that said Letters Patent is hereby corrected as shown below:

Title Page, (73), Assignee: "Neurotics, Inc." should be changed to --Neuronetics, Inc.--

Signed and Sealed this
Fourteenth Day of August, 2012

A handwritten signature in black ink that reads "David J. Kappos". The signature is written in a cursive, slightly slanted style.

David J. Kappos
Director of the United States Patent and Trademark Office