



US00D646392S

(12) **United States Design Patent**  
**Collins et al.**

(10) **Patent No.:** **US D646,392 S**

(45) **Date of Patent:** **\*\* Oct. 4, 2011**

(54) **FRONT PANEL ASSEMBLY FOR A  
PORTABLE HEMODIALYSIS SYSTEM**

(75) Inventors: **David E. Collins**, Manchester, NH (US);  
**Jared Farlow**, Manchester, NH (US);  
**Kevin L. Grant**, Litchfield, NH (US);  
**James D. Dale**, Nashua, NH (US); **Jason**  
**A. Demers**, Manchester, NH (US);  
**Geoffrey A. Marcek**, Houston, TX (US)

(73) Assignee: **DEKA Products Limited Partnership**,  
Manchester, NH (US)

(\*\*) Term: **14 Years**

(21) Appl. No.: **29/384,953**

(22) Filed: **Feb. 7, 2011**

**Related U.S. Application Data**

(62) Division of application No. 29/323,527, filed on Aug.  
27, 2008, now Pat. No. Des. 633,619.

(51) **LOC (9) Cl.** ..... **24-02**

(52) **U.S. Cl.** ..... **D24/169; D24/111**

(58) **Field of Classification Search** ..... D24/111,  
D24/127-129, 133, 135, 138, 140, 145, 169,  
D24/191, 216-217, 223-225, 227; D10/30-32,  
D10/38, 57, 70, 78, 81, 98, 104; 606/87-88,  
606/96, 102-103, 142, 151, 157-158, 213;  
600/229; 417/395; 604/5.04, 6.01, 6.07-6.08;  
210/175, 246

See application file for complete search history.

(56) **References Cited**

U.S. PATENT DOCUMENTS

D271,801	S	12/1983	Preussner	
4,479,761	A	10/1984	Bilstad et al.	
4,479,762	A	10/1984	Bilstad et al.	
4,637,813	A	1/1987	DeVries	
D606,197	S	12/2009	Collins et al.	
D606,198	S	12/2009	Collins et al.	
D633,619	S *	3/2011	Collins et al.	..... D24/169
2008/0208103	A1	8/2008	Demers et al.	
2009/0008331	A1	1/2009	Wilt et al.	

\* cited by examiner

*Primary Examiner* — Lisa Lichtenstein

(74) *Attorney, Agent, or Firm* — Wolf, Greenfield & Sacks,  
P.C.

(57) **CLAIM**

The ornamental design for a front panel assembly for a portable hemodialysis system, as shown and described.

**DESCRIPTION**

FIG. 1 is a perspective view of the front panel assembly for a portable hemodialysis system;

FIG. 2 is an enlarged perspective view of a portion of FIG. 1;

FIG. 3 is an enlarged perspective view of a portion of FIG. 2;

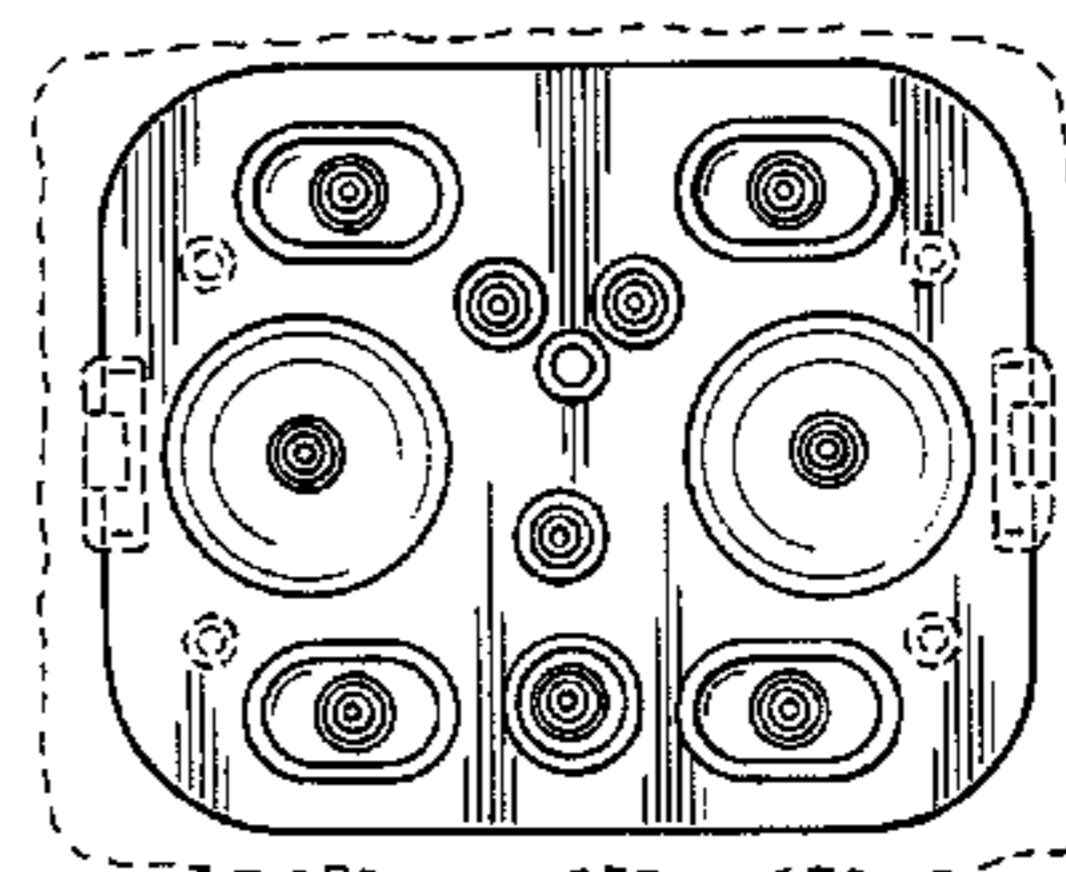
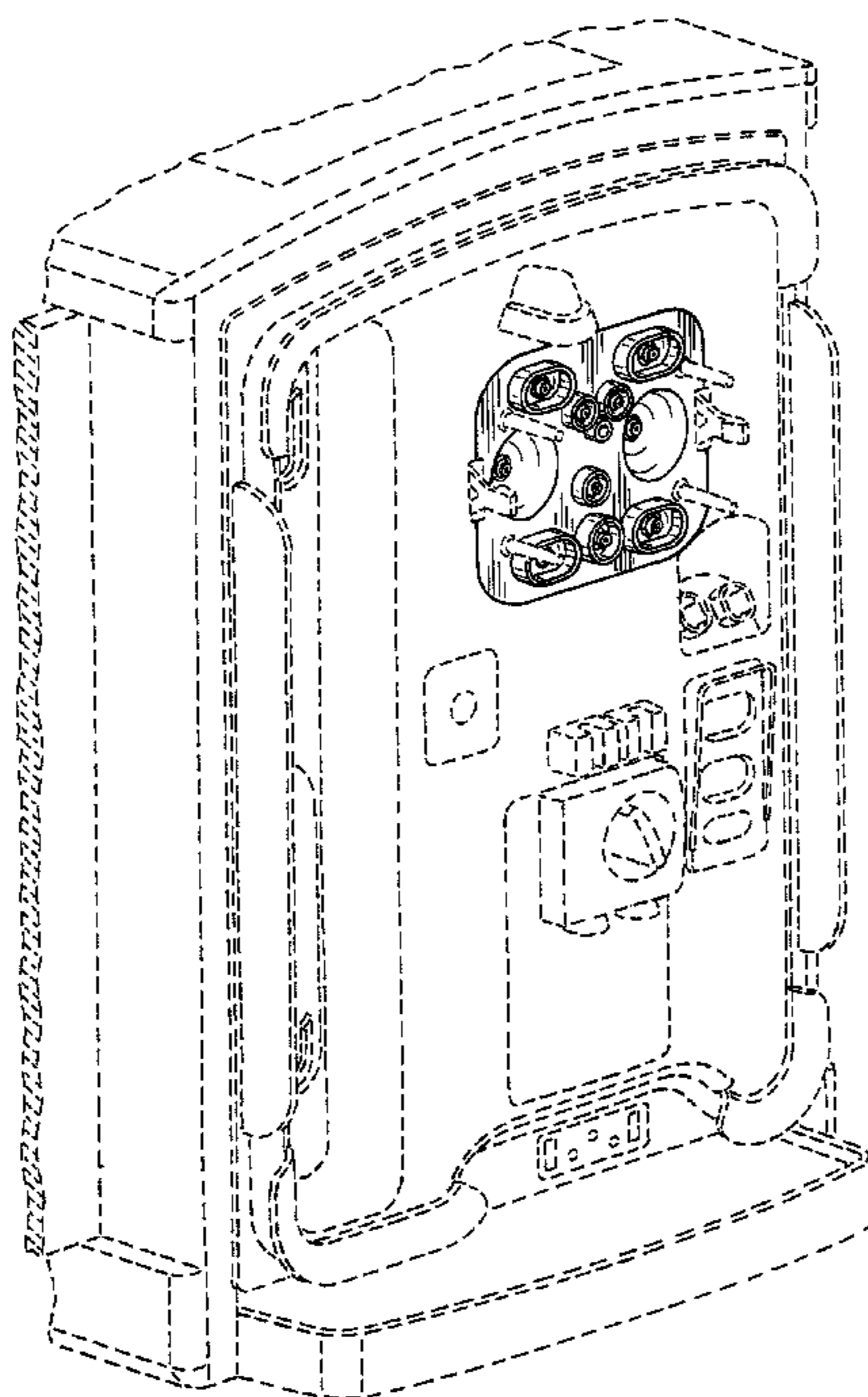
FIG. 4 is a front elevational view of the portion shown in FIG. 3;

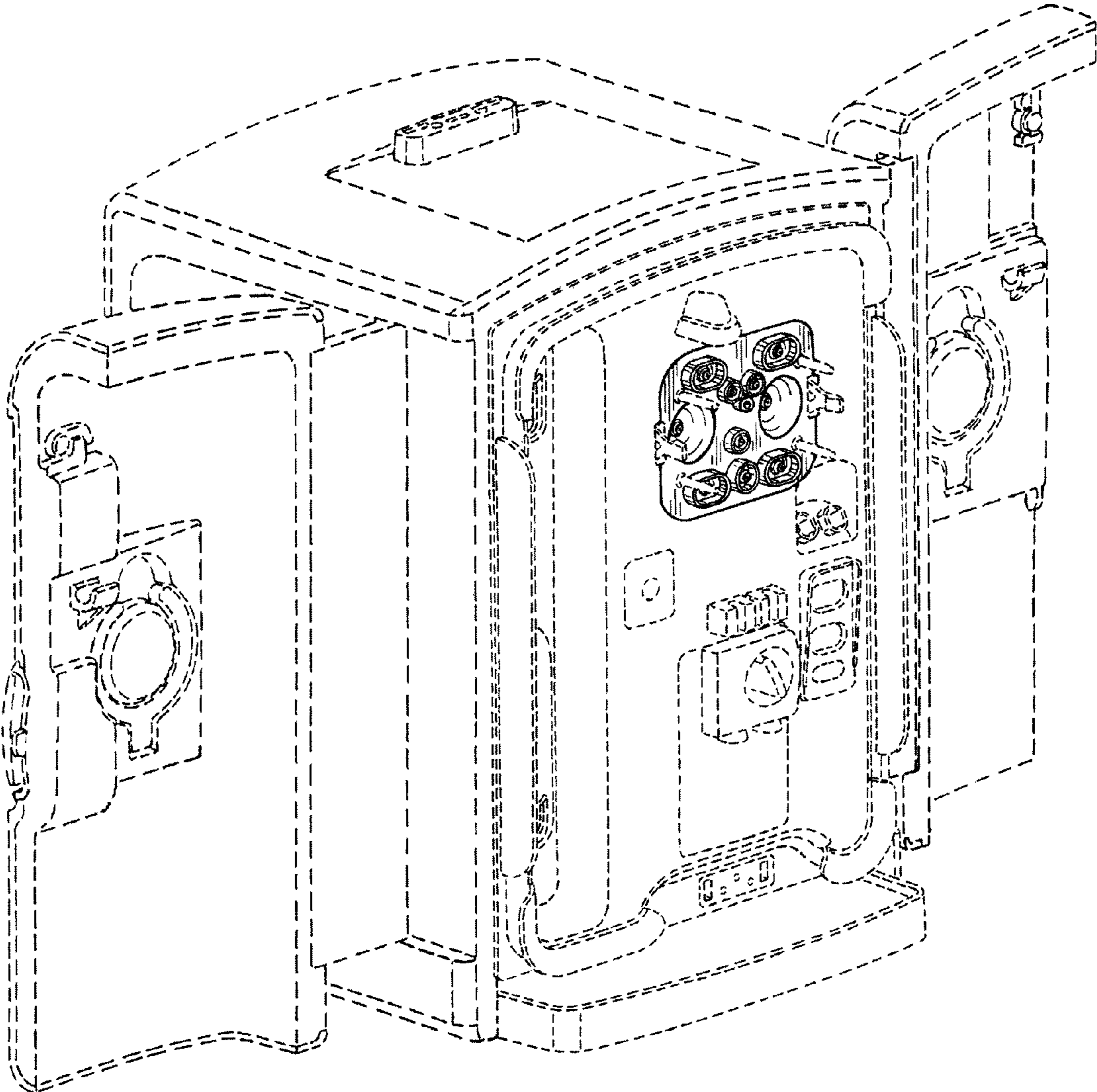
FIG. 5 is left side elevational view of the portion shown in FIG. 3, the right side elevational view being a mirror image thereof;

FIG. 6 is a top plan view of the portion shown in FIG. 3; and, FIG. 7 is a bottom plan view of the portion shown in FIG. 3.

The broken lines illustrate environmental structure and portions of the front panel assembly for a portable hemodialysis system which form no part of the claimed design.

**1 Claim, 4 Drawing Sheets**





*Fig. 1*

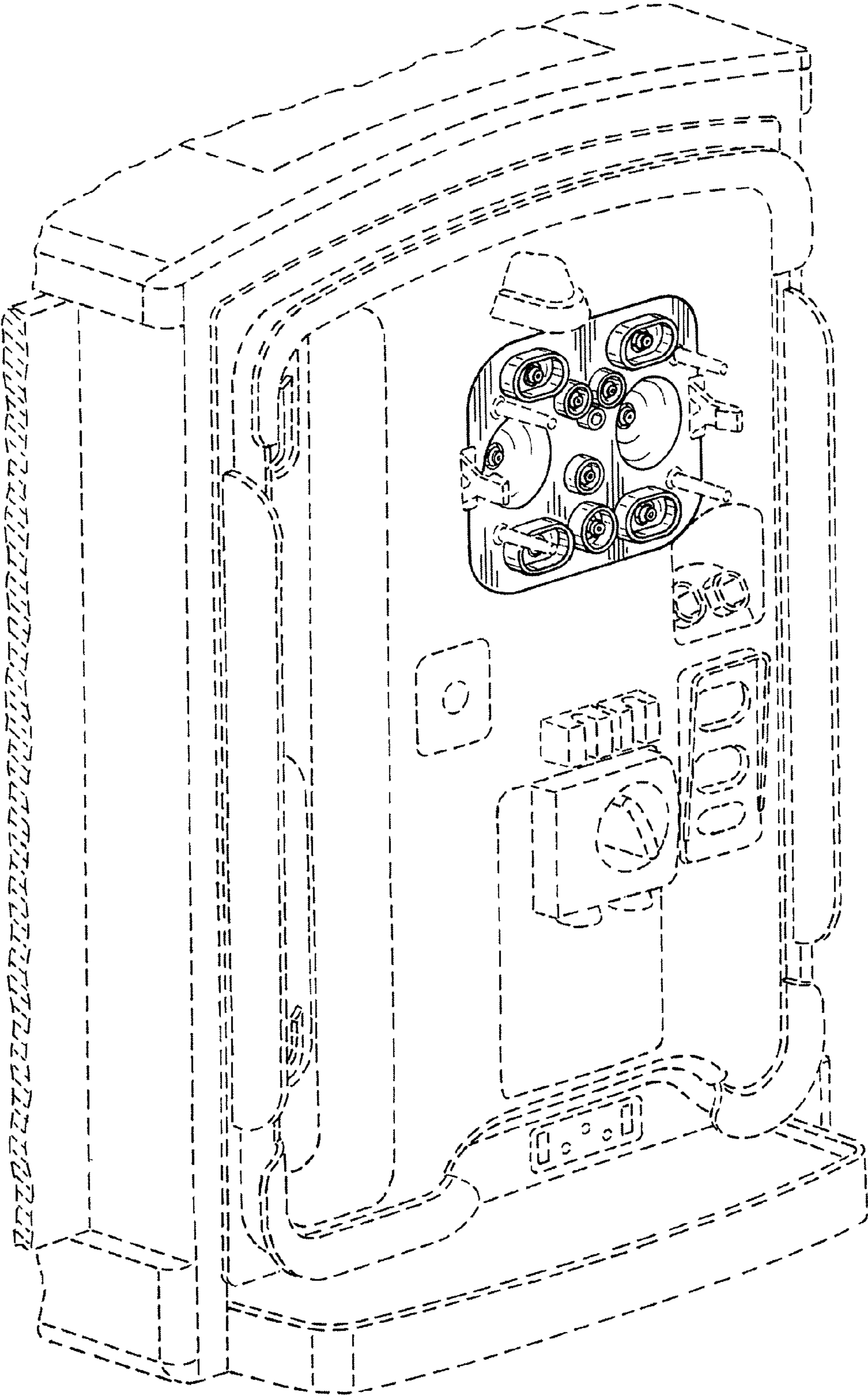
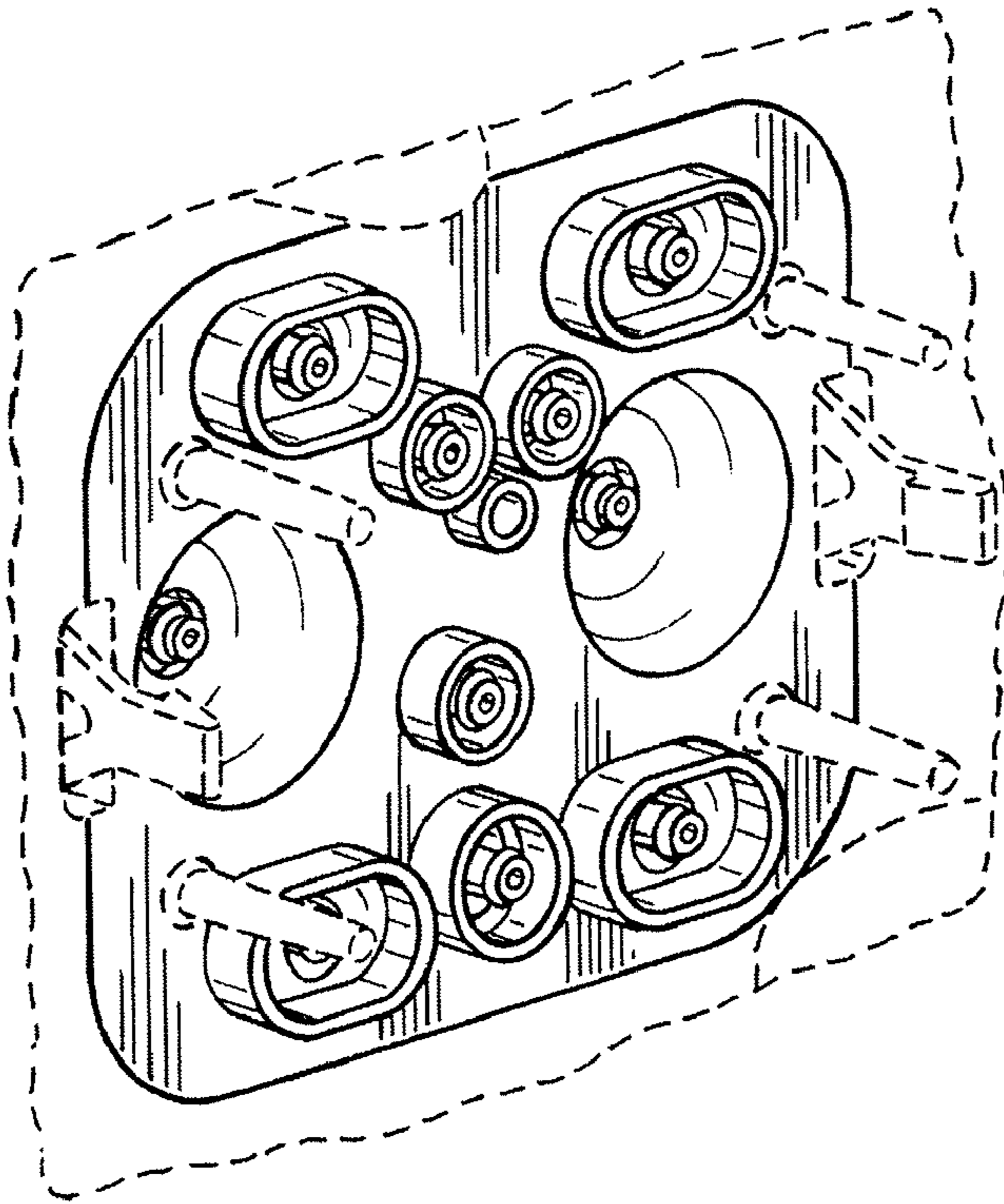
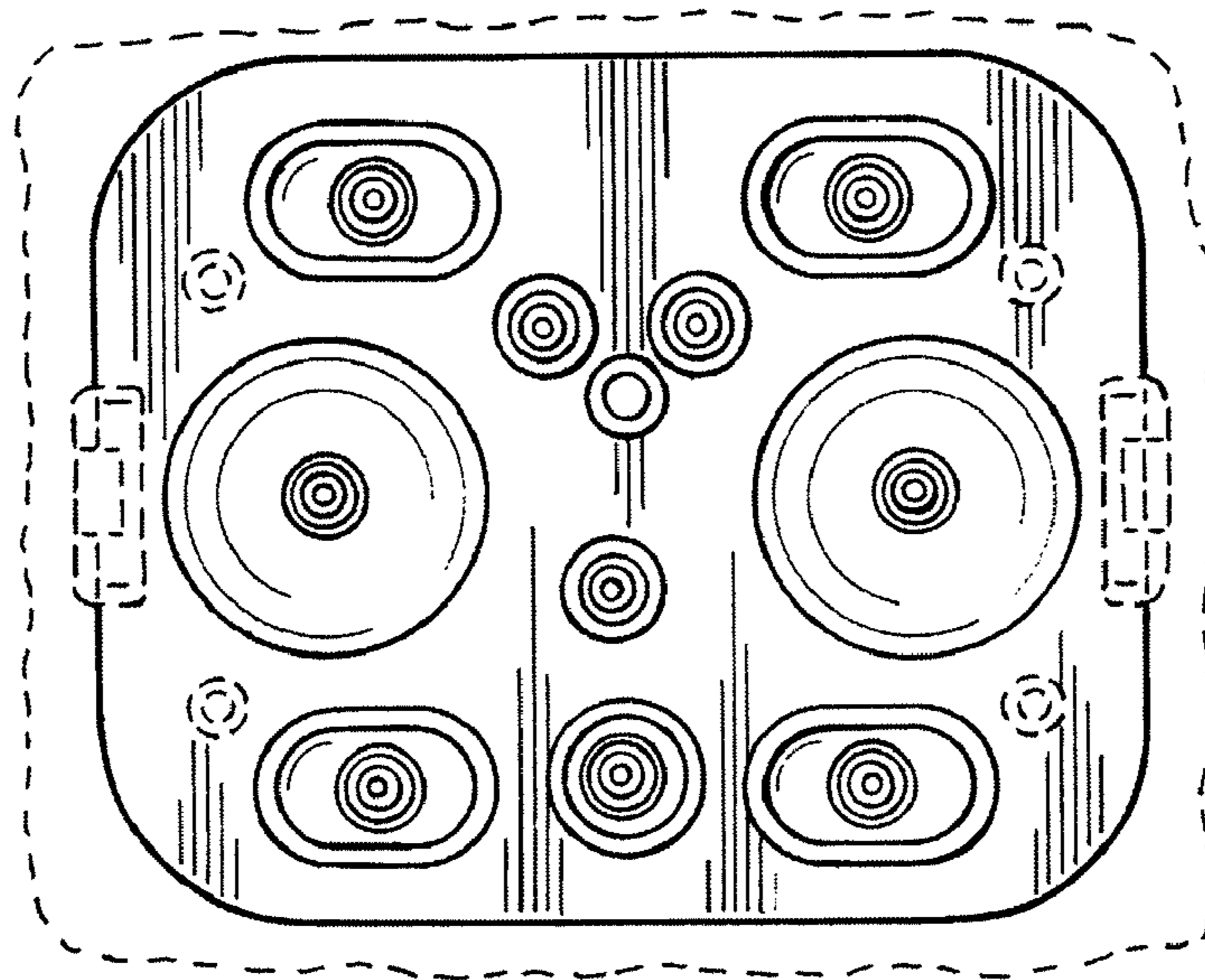


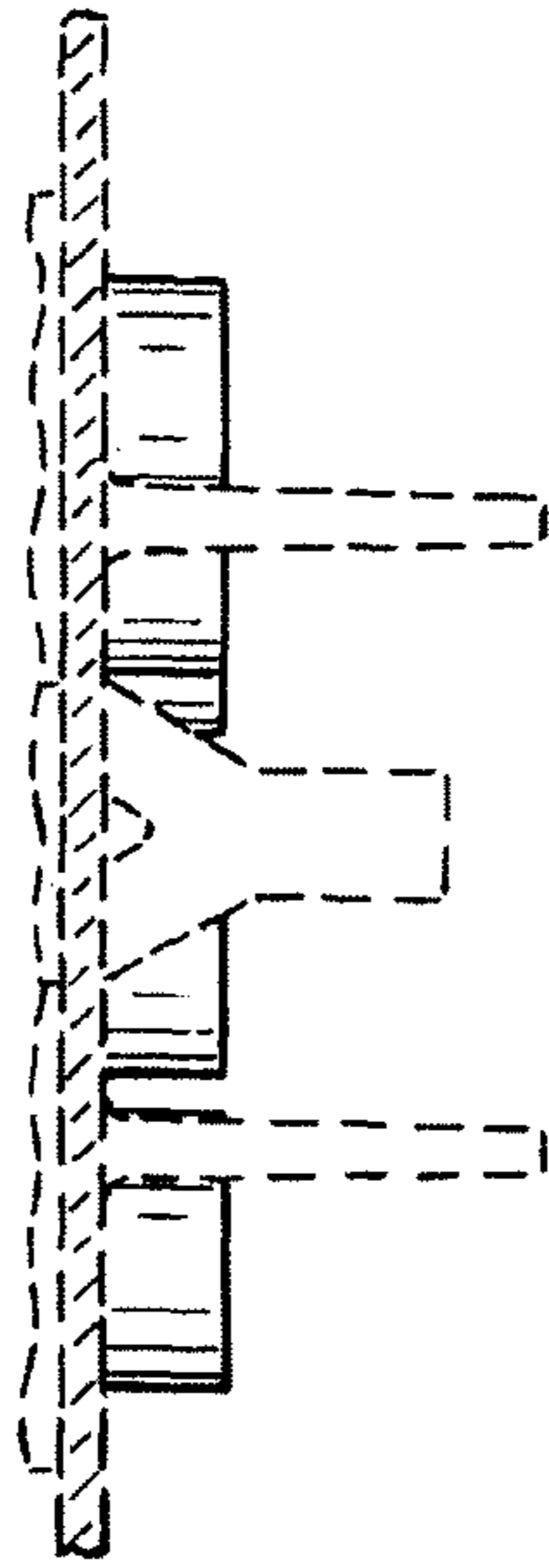
Fig. 2



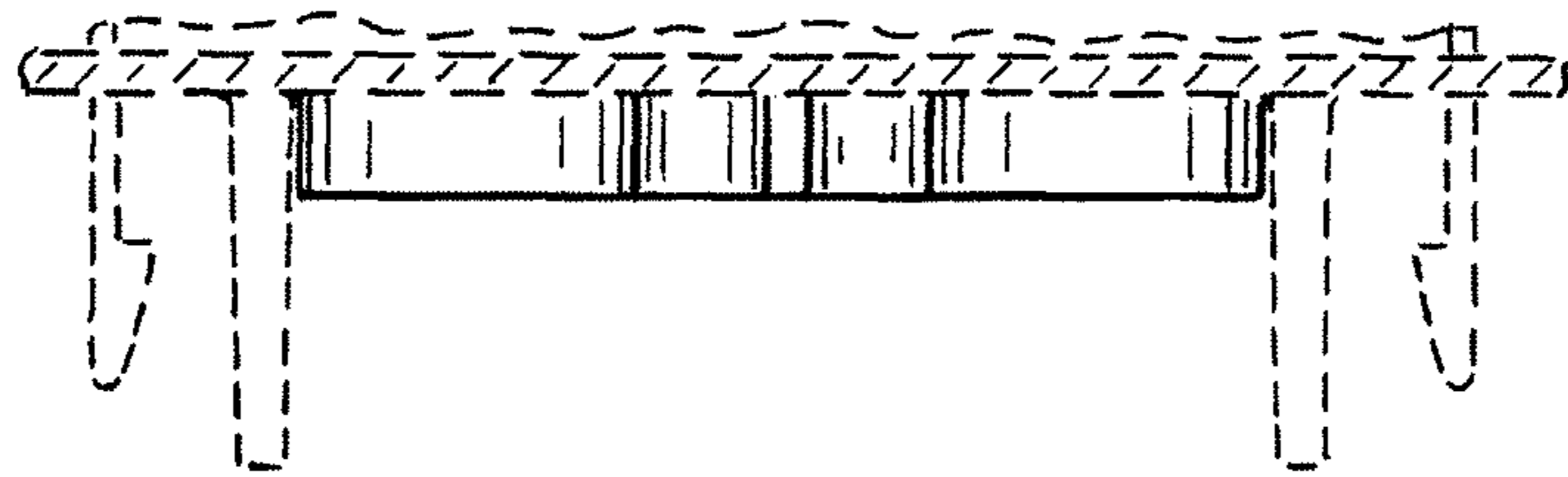
*Fig. 3*



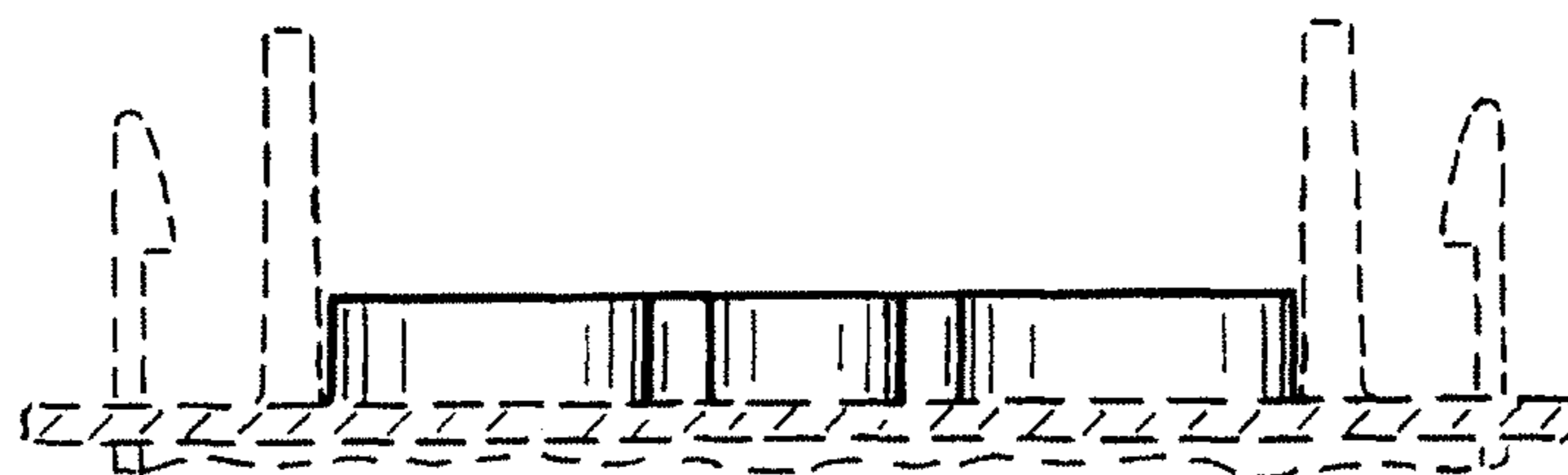
*Fig. 4*



*Fig. 5*



*Fig. 6*



*Fig. 7*