



US00D646391S

(12) **United States Design Patent**  
**Ibuki et al.**

(10) **Patent No.:** **US D646,391 S**

(45) **Date of Patent:** **\*\* Oct. 4, 2011**

(54) **SPHYGMOGRAPH**

(75) Inventors: **Masato Ibuki**, Kyoto (JP); **Daisuke Kumazaki**, Kyoto (JP); **Akiko Suga**, Kyoto (JP); **Masahiko Nishimura**, Kyoto (JP)

(73) Assignee: **Nintendo Co., Ltd.**, Kyoto (JP)

(\*\*) Term: **14 Years**

(21) Appl. No.: **29/350,597**

(22) Filed: **Nov. 19, 2009**

(30) **Foreign Application Priority Data**

May 26, 2009 (JP) ..... 2009-011681

(51) **LOC (9) Cl.** ..... **24-02**

(52) **U.S. Cl.** ..... **D24/165**

(58) **Field of Classification Search** ..... D24/164-169,  
D24/107, 186, 187; D10/46, 70, 75, 98;  
600/301, 481-483, 485, 490, 493-495, 500,  
600/503, 509, 323, 335, 340, 352; 128/900  
See application file for complete search history.

(56) **References Cited**

**U.S. PATENT DOCUMENTS**

D262,488 S \* 12/1981 Rossman et al. .... D24/168  
4,685,464 A \* 8/1987 Goldberger et al. .... 600/500  
D356,870 S \* 3/1995 Ivers et al. .... D24/164  
5,792,052 A \* 8/1998 Isaacson et al. .... 600/323  
D446,582 S \* 8/2001 Hayakawa ..... D24/165  
D455,834 S \* 4/2002 Donars et al. .... D24/169  
D458,375 S \* 6/2002 Thede ..... D24/165  
D463,561 S \* 9/2002 Fukatsu et al. .... D24/165

7,254,434 B2 \* 8/2007 Schulz et al. .... 600/323  
D603,966 S \* 11/2009 Jones et al. .... D24/164  
D621,516 S \* 8/2010 Kiani et al. .... D24/165  
2009/0043180 A1 \* 2/2009 Tschautscher et al. .... 600/323

**OTHER PUBLICATIONS**

File: Blood Pressure.jpg, <http://en.wikipedia.org/wiki/File:BloodPressure.jpg>, Jun. 4, 2005, 2 pp.

\* cited by examiner

*Primary Examiner* — Anhdao Doan

(74) *Attorney, Agent, or Firm* — Nixon & Vanderhye, P.C.

(57) **CLAIM**

The ornamental design for a sphygmograph, as shown and described.

**DESCRIPTION**

FIG. 1 is a front, bottom and right perspective view of a sphygmograph showing our new design;  
FIG. 2 is a rear, top and left perspective view thereof;  
FIG. 3 is a front view thereof;  
FIG. 4 is a rear view thereof;  
FIG. 5 is a right side view, a left side view being a mirror image thereof;  
FIG. 6 is a top plan view thereof;  
FIG. 7 is a bottom plan view thereof;  
FIG. 8 is a perspective view thereof showing a state that a cover is opened; and,  
FIG. 9 is a reference view thereof showing a using state that the sphygmograph is attached to a finger tip represented by dotted lines.  
The broken lines in FIG. 9 represent environmental subject matters and form no part of the claimed design.

**1 Claim, 5 Drawing Sheets**

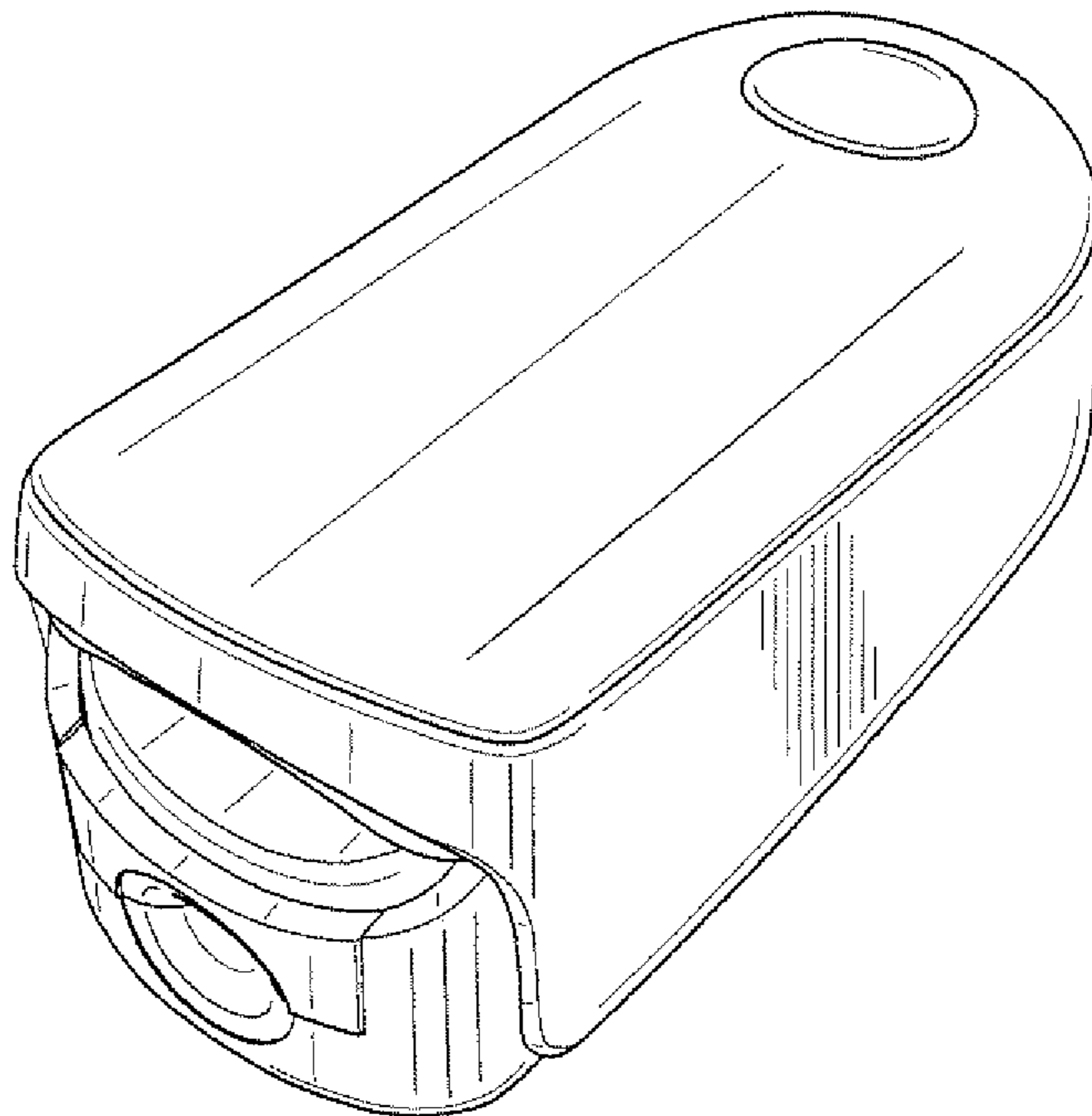


FIG. 1

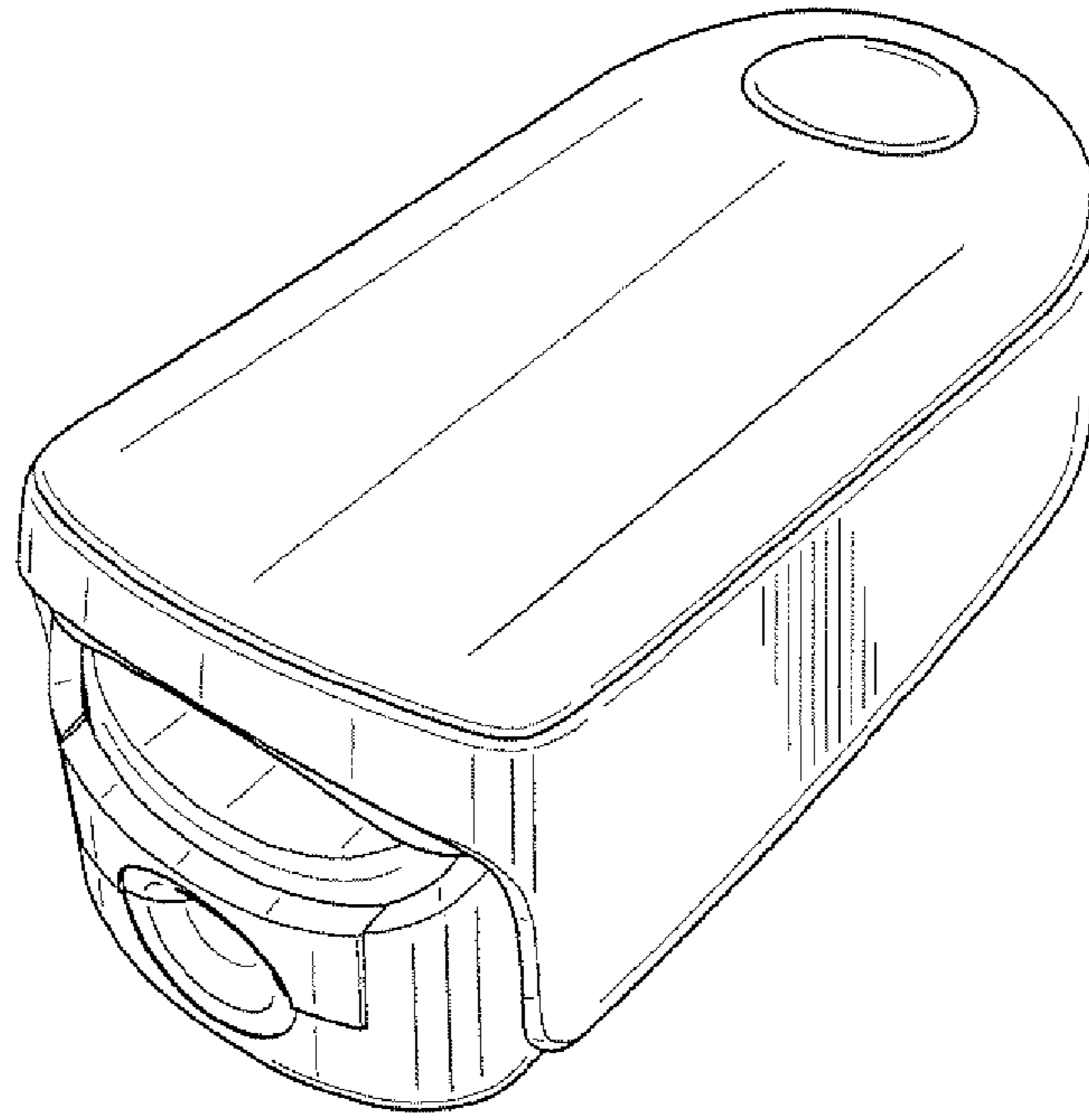


FIG. 2

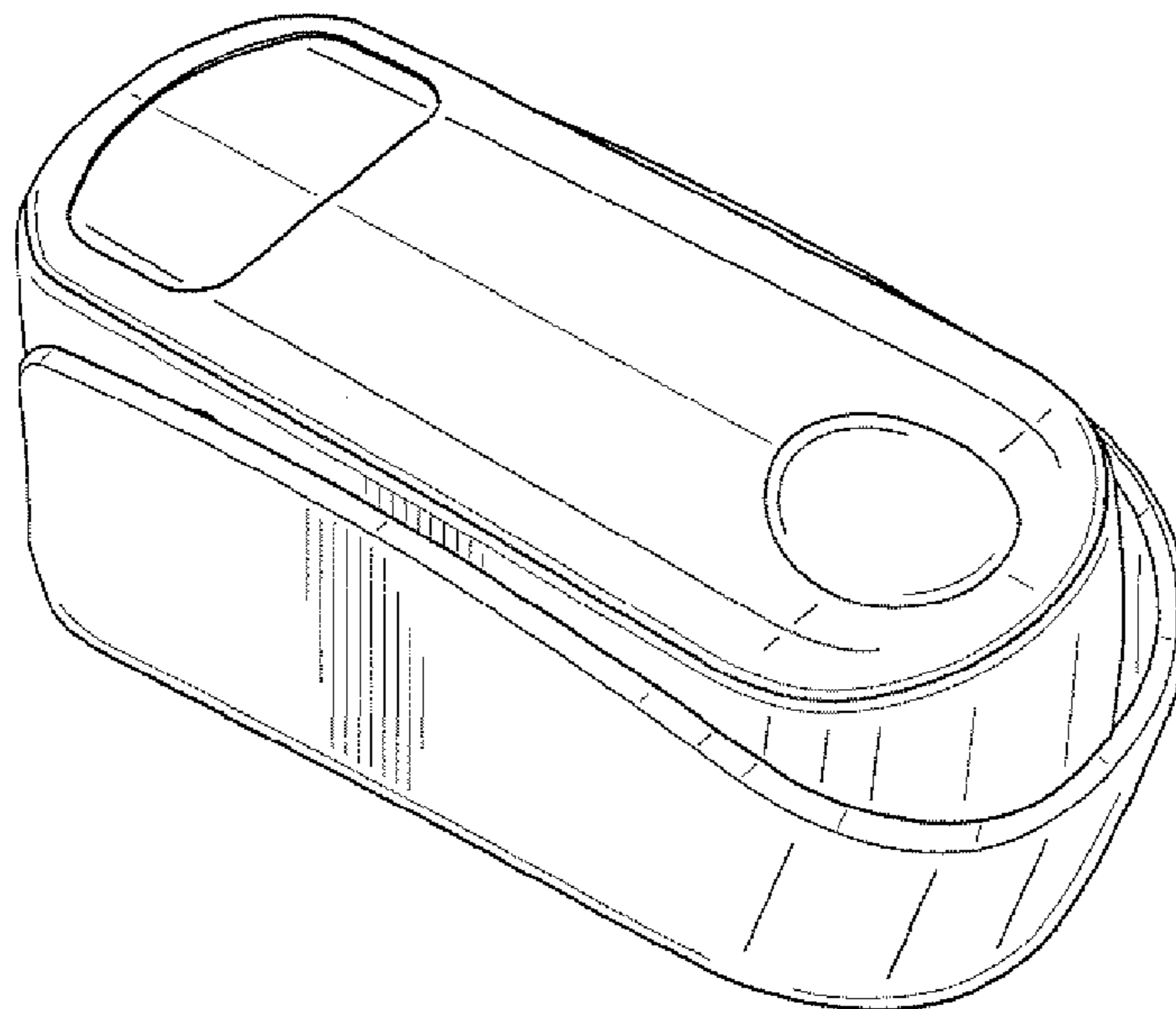


FIG. 3

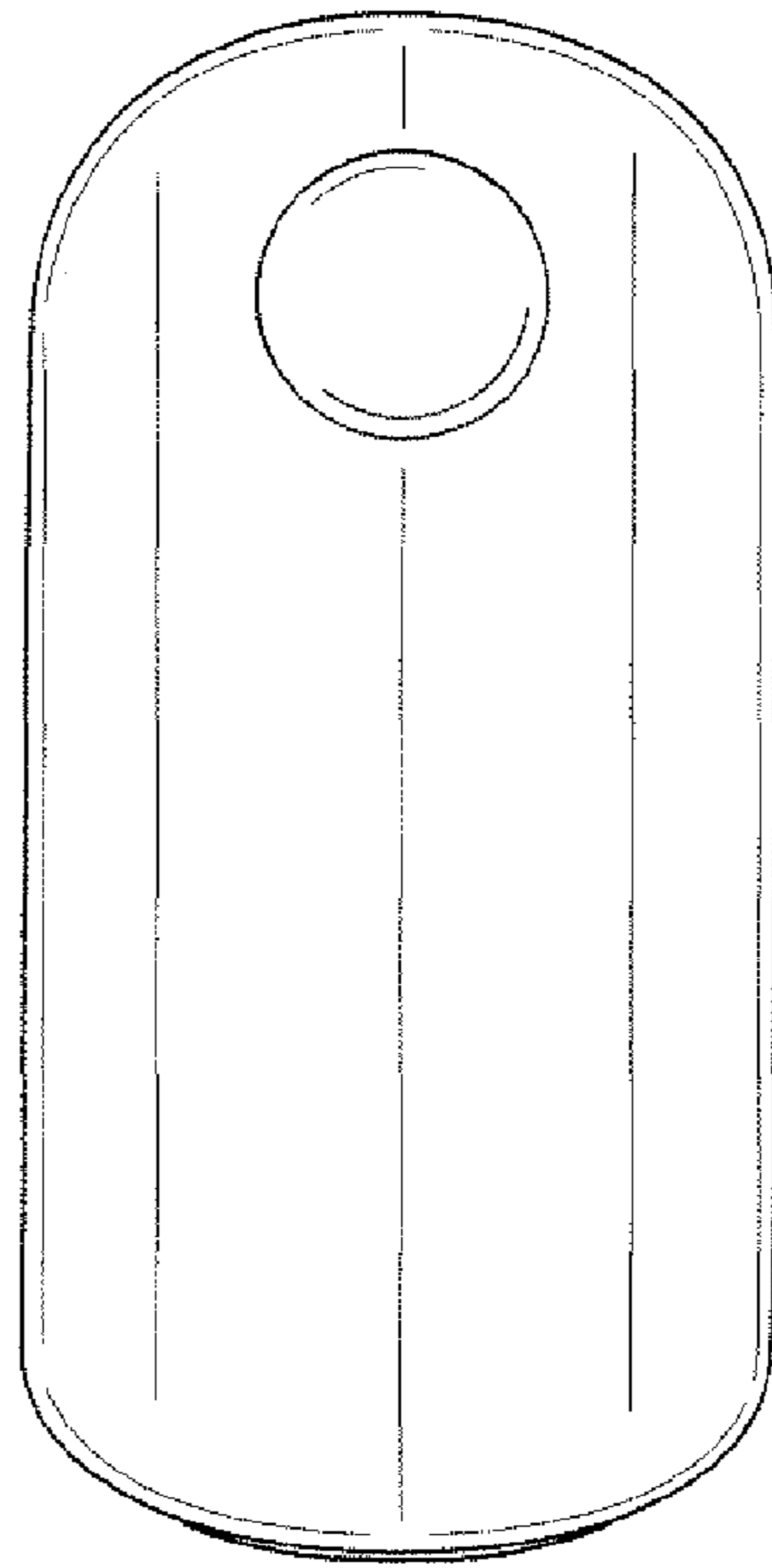


FIG. 4

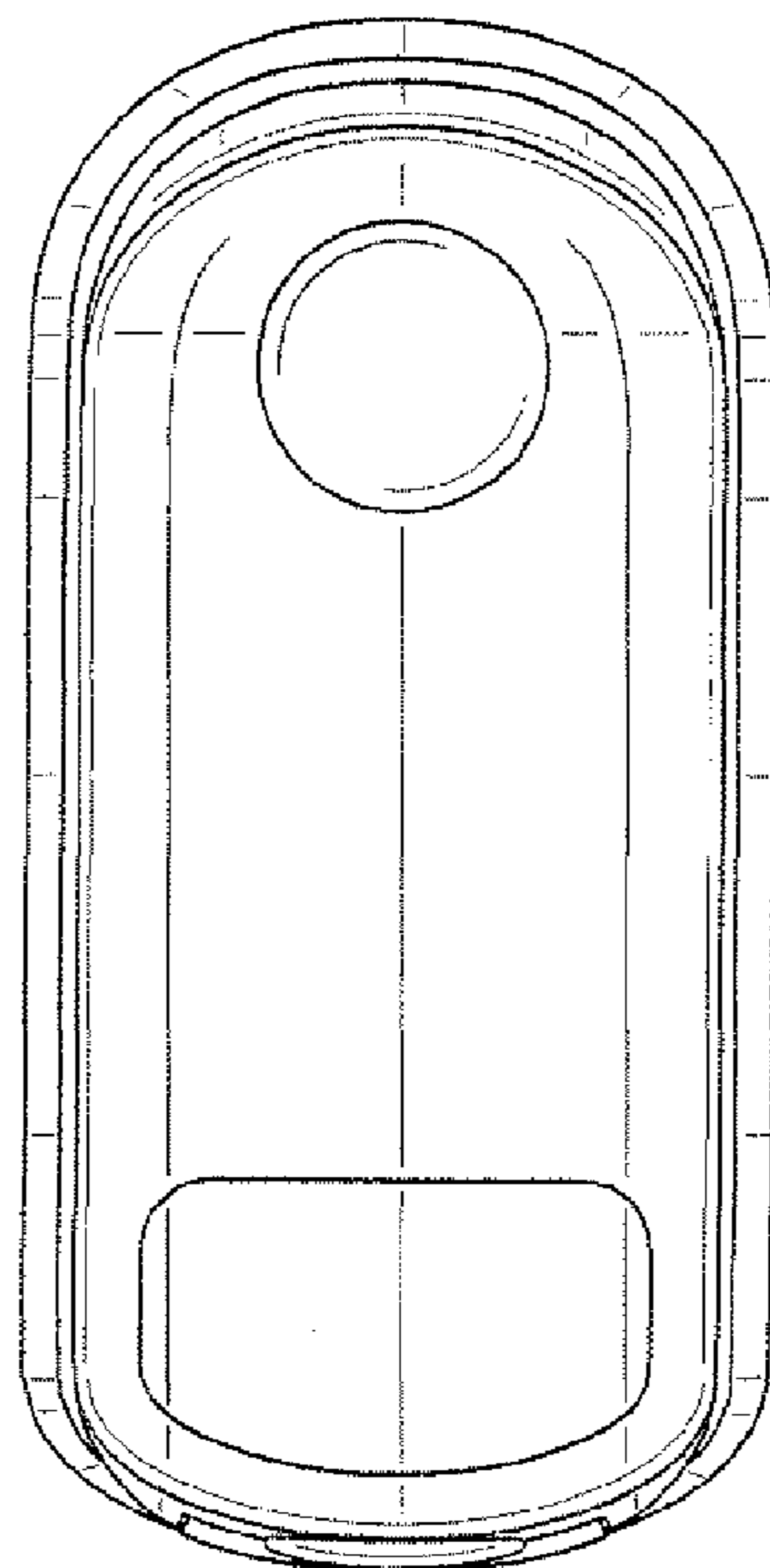


FIG. 5

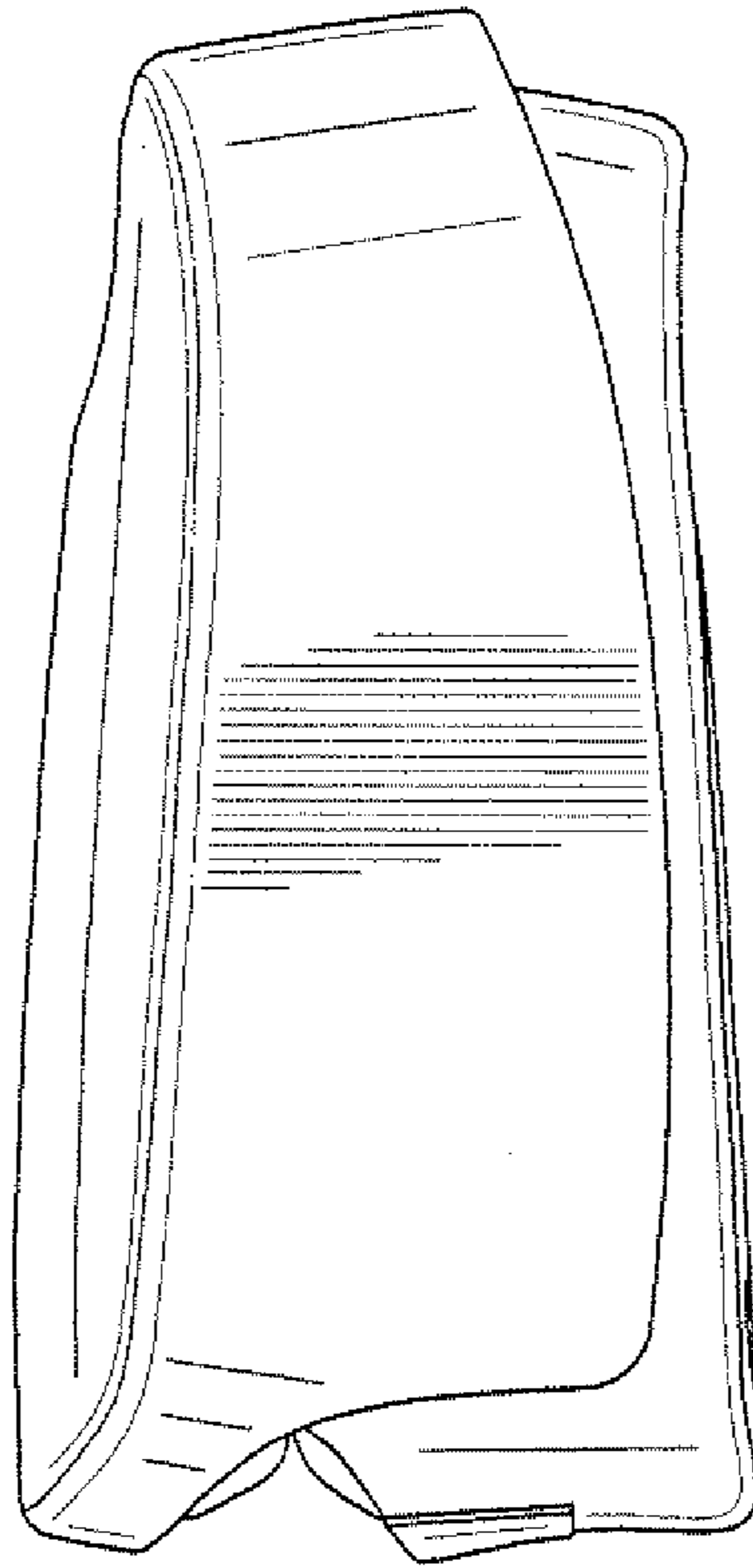


FIG. 6

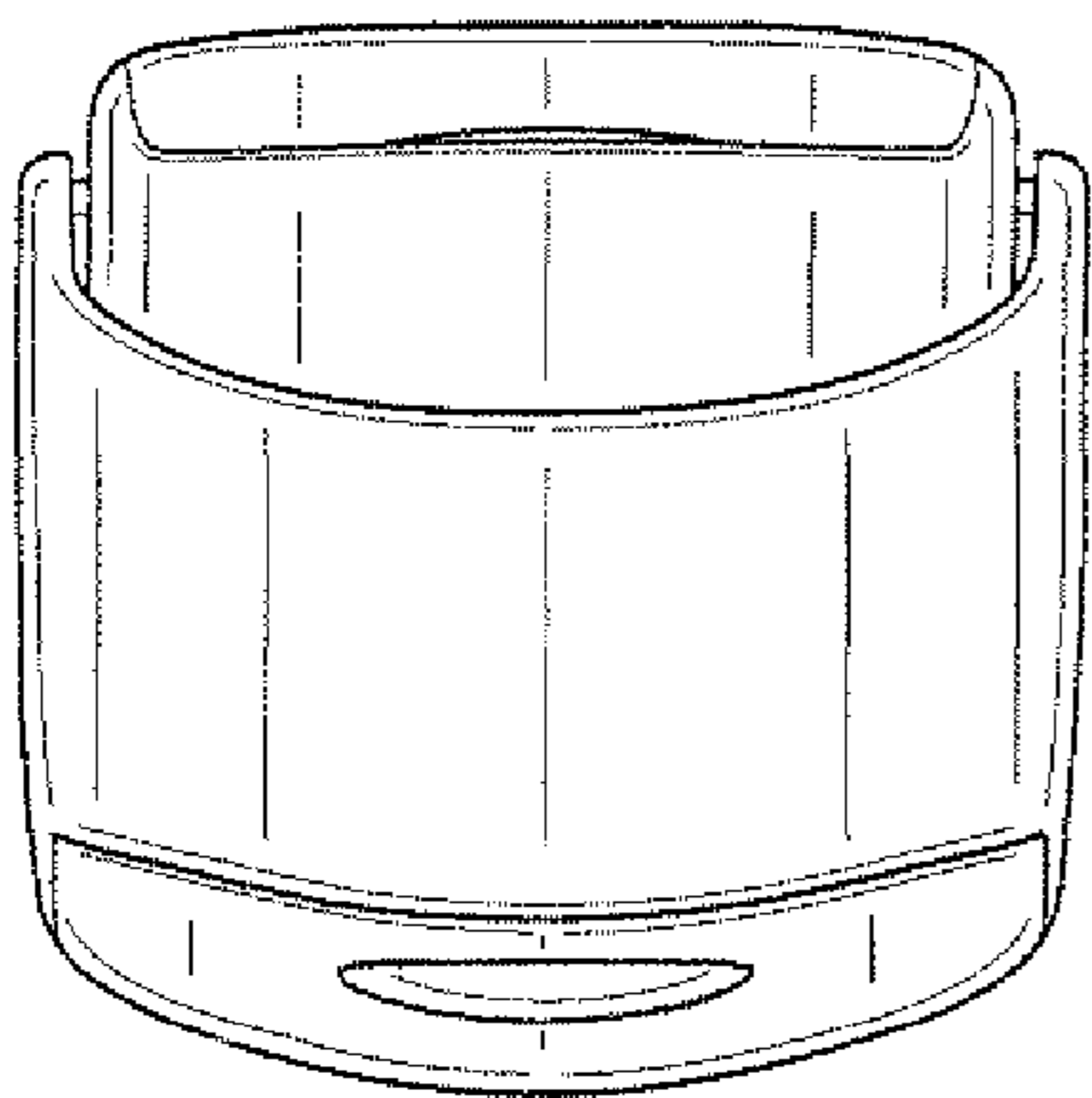


FIG. 7

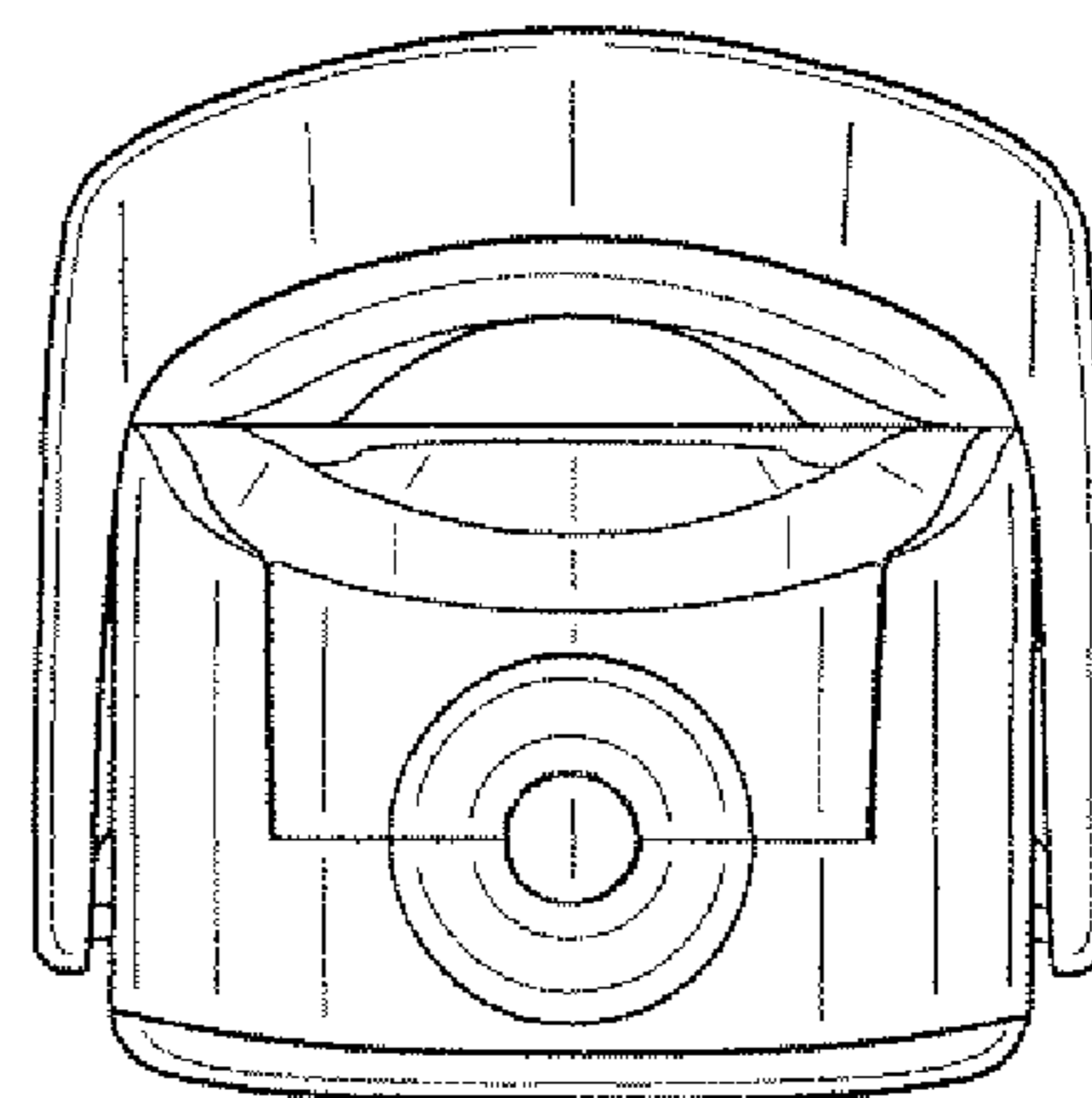


FIG. 8

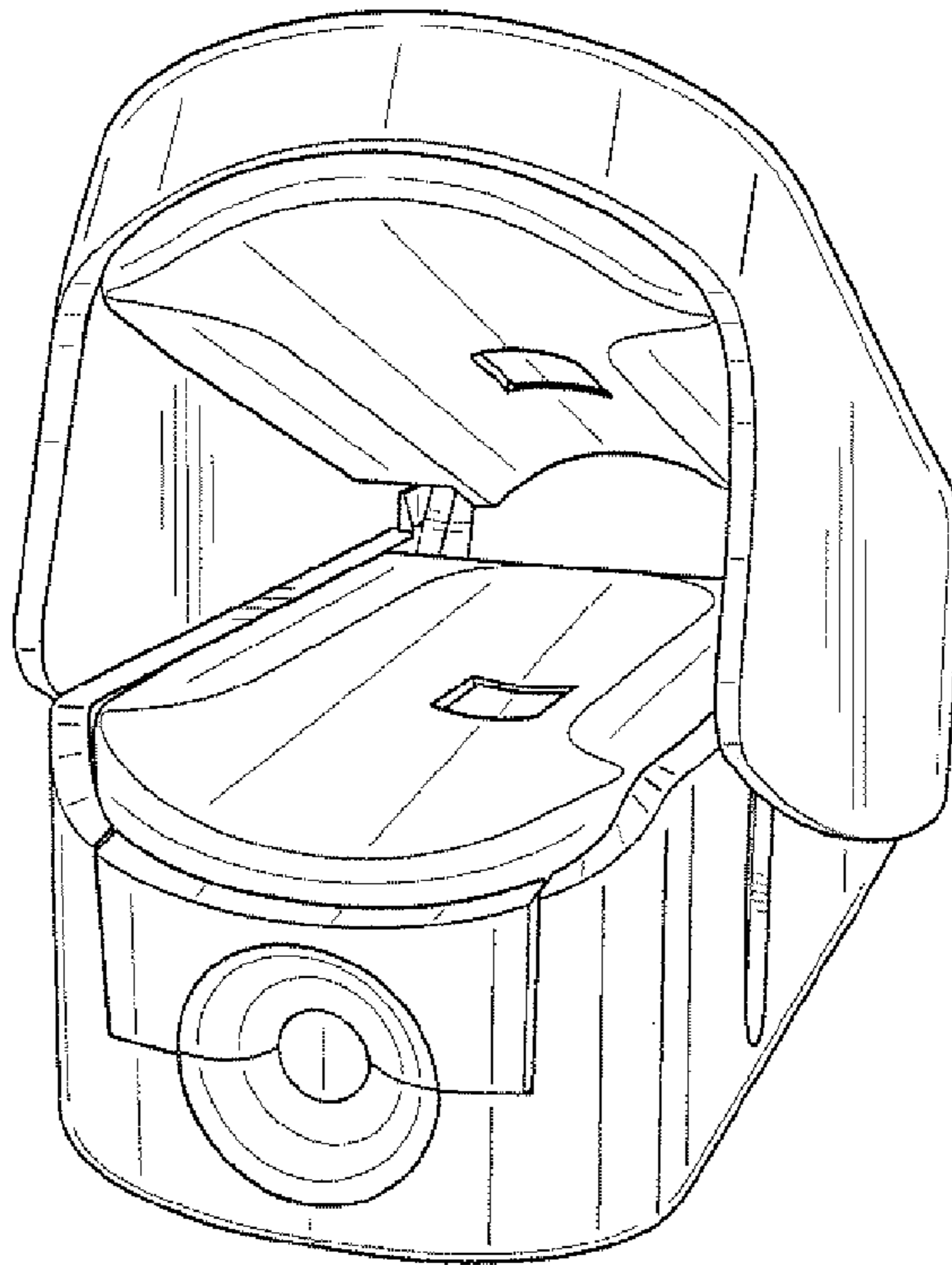


FIG. 9

