



US00D646390S

(12) **United States Design Patent**  
**Bailey et al.**

(10) **Patent No.:** **US D646,390 S**

(45) **Date of Patent:** **\*\* Oct. 4, 2011**

(54) **FEMORAL TROCHLEAR CUT GUIDE**

(75) Inventors: **Aaron M. Bailey**, Warsaw, IN (US);  
**Kevin S. Cook**, Warsaw, IN (US);  
**Christopher M. Byrd**, Elkhart, IN (US);  
**Prashanth Hegde**, Warsaw, IN (US)

(73) Assignee: **Zimmer, Inc.**, Warsaw, IN (US)

(\*\*) Term: **14 Years**

(21) Appl. No.: **29/362,962**

(22) Filed: **Jun. 2, 2010**

(51) **LOC (9) Cl.** ..... **24-02**

(52) **U.S. Cl.** ..... **D24/140**

(58) **Field of Classification Search** ..... D24/133,  
D24/140, 143, 144, 145, 146, 147, 155, 171;  
606/1, 53, 86 R, 87, 88, 89, 99, 105, 205,  
606/206, 211, 916, 237

See application file for complete search history.

(56) **References Cited**

**U.S. PATENT DOCUMENTS**

D273,895 S *	5/1984	Kenna	.....	D24/140
D274,090 S *	5/1984	Kenna	.....	D24/140
D274,091 S *	5/1984	Kenna	.....	D24/140
D274,092 S *	5/1984	Kenna	.....	D24/140
D355,254 S *	2/1995	Krafft et al.	.....	D24/140
5,474,559 A *	12/1995	Bertin et al.	.....	606/89
5,735,856 A *	4/1998	McCue et al.	.....	606/87
5,817,097 A *	10/1998	Howard et al.	.....	606/87
D629,900 S *	12/2010	Fisher	.....	D24/146

2004/0158255 A1 *	8/2004	Justin et al.	.....	606/87
2005/0149037 A1 *	7/2005	Steffensmeier et al.	.....	606/87
2005/0171545 A1 *	8/2005	Walsh et al.	.....	606/72
2005/0234461 A1 *	10/2005	Burdulis et al.	.....	606/79
2006/0004374 A1 *	1/2006	Griner et al.	.....	606/88
2006/0122618 A1 *	6/2006	Claypool et al.	.....	606/87
2006/0200158 A1 *	9/2006	Farling et al.	.....	606/87
2006/0241634 A1 *	10/2006	Tuttle et al.	.....	606/86

\* cited by examiner

*Primary Examiner* — Bridget L Eland

(74) *Attorney, Agent, or Firm* — Baker & Daniels LLP

(57) **CLAIM**

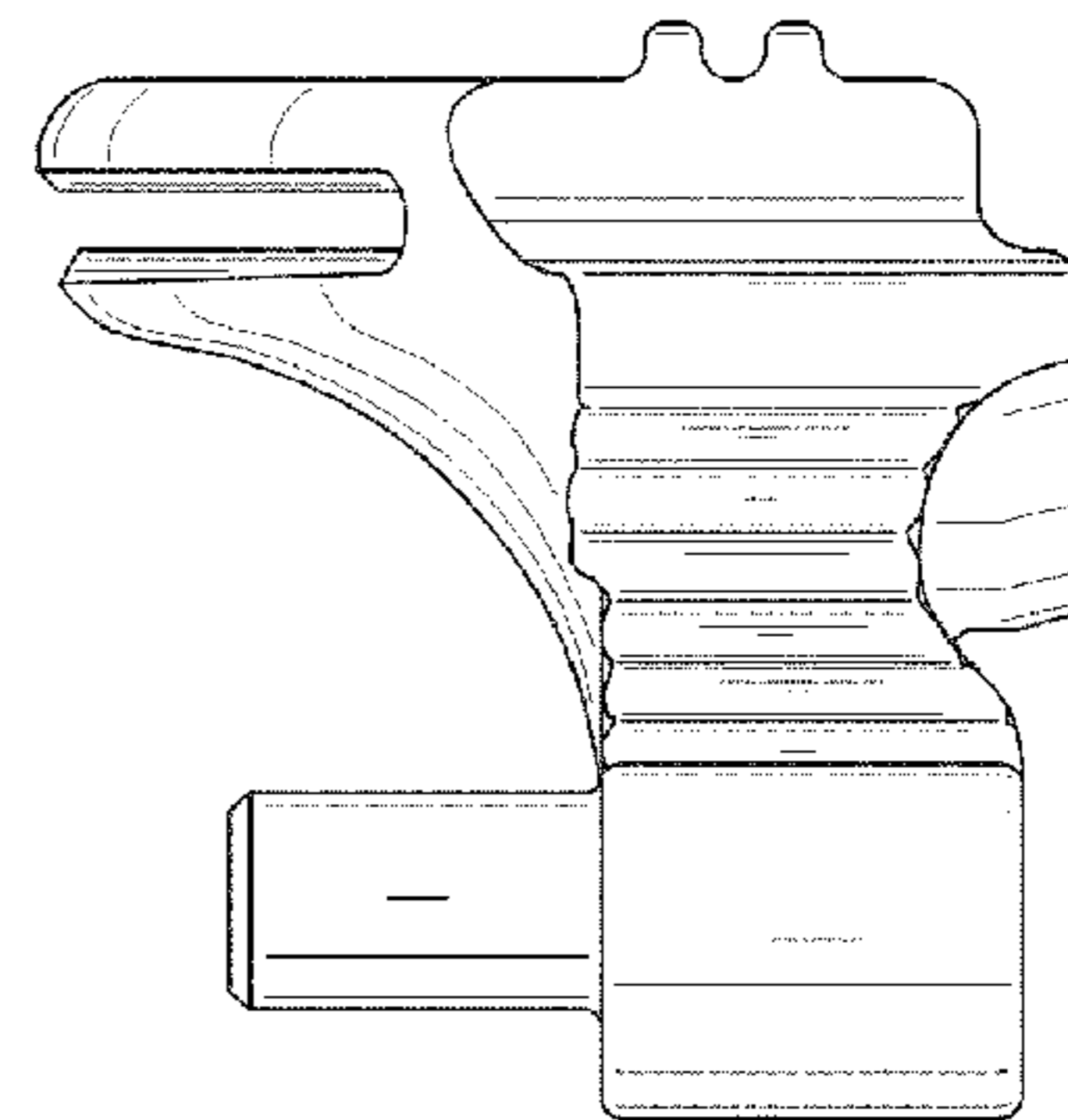
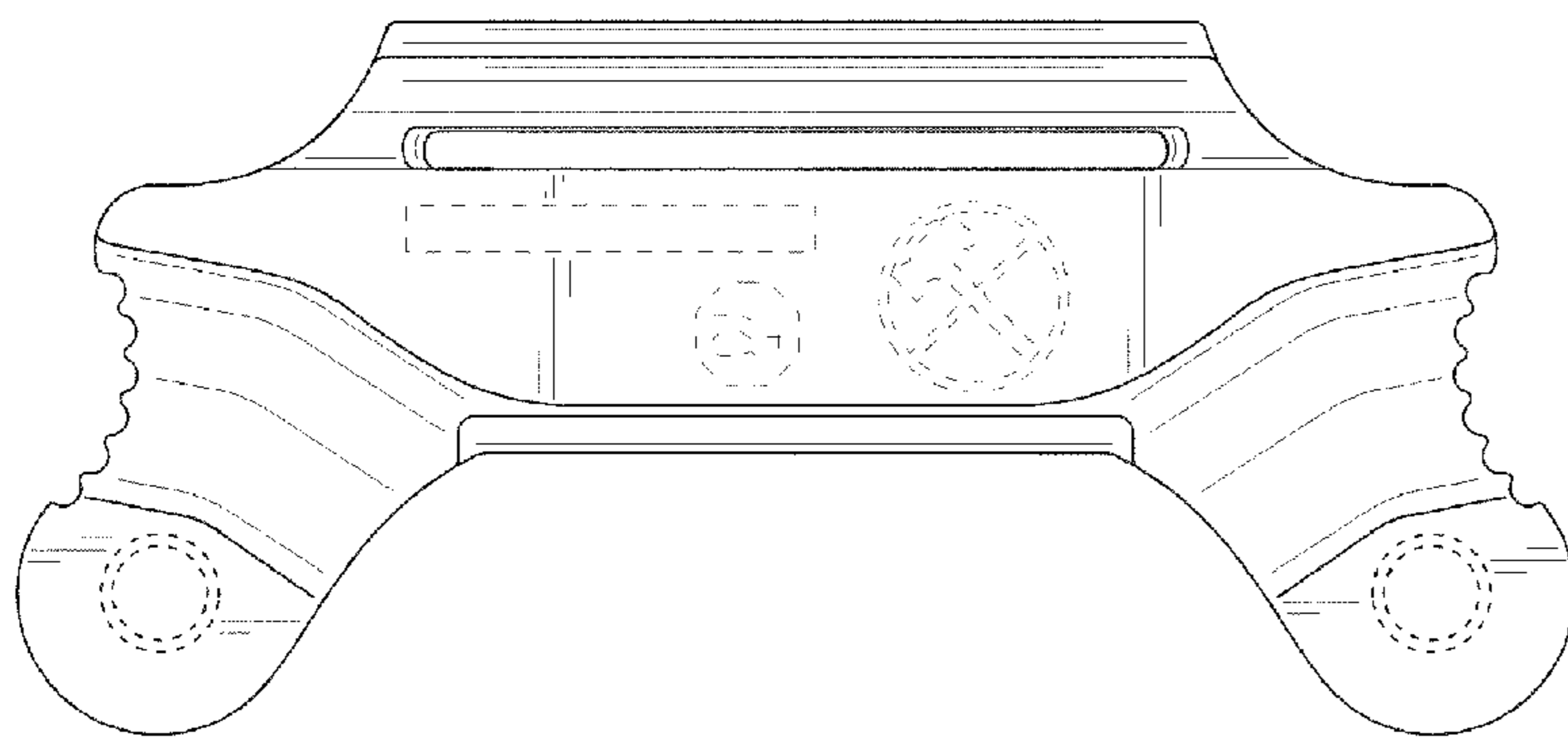
The ornamental design for a femoral trochlear cut guide, as shown and described.

**DESCRIPTION**

FIG. 1 is a perspective view of a femoral trochlear cut guide shown in an environment illustrating our new design; FIG. 2 is a rear end view of the femoral trochlear cut guide shown removed from its environment in order to show aspects of the design that are not apparent in the perspective view; FIG. 3 is a front end view thereof; FIG. 4 is a right side elevation view thereof; FIG. 5 is a left side elevation view thereof; FIG. 6 is a top plan elevation view thereof; and, FIG. 7 is a bottom plan elevation view thereof.

The broken lines shown that are immediately adjacent the shaded areas represent unclaimed boundaries while the dot-dash broken lines are directed to environment and are for illustrative purposes only; the broken lines form no part of the claimed design.

**1 Claim, 4 Drawing Sheets**



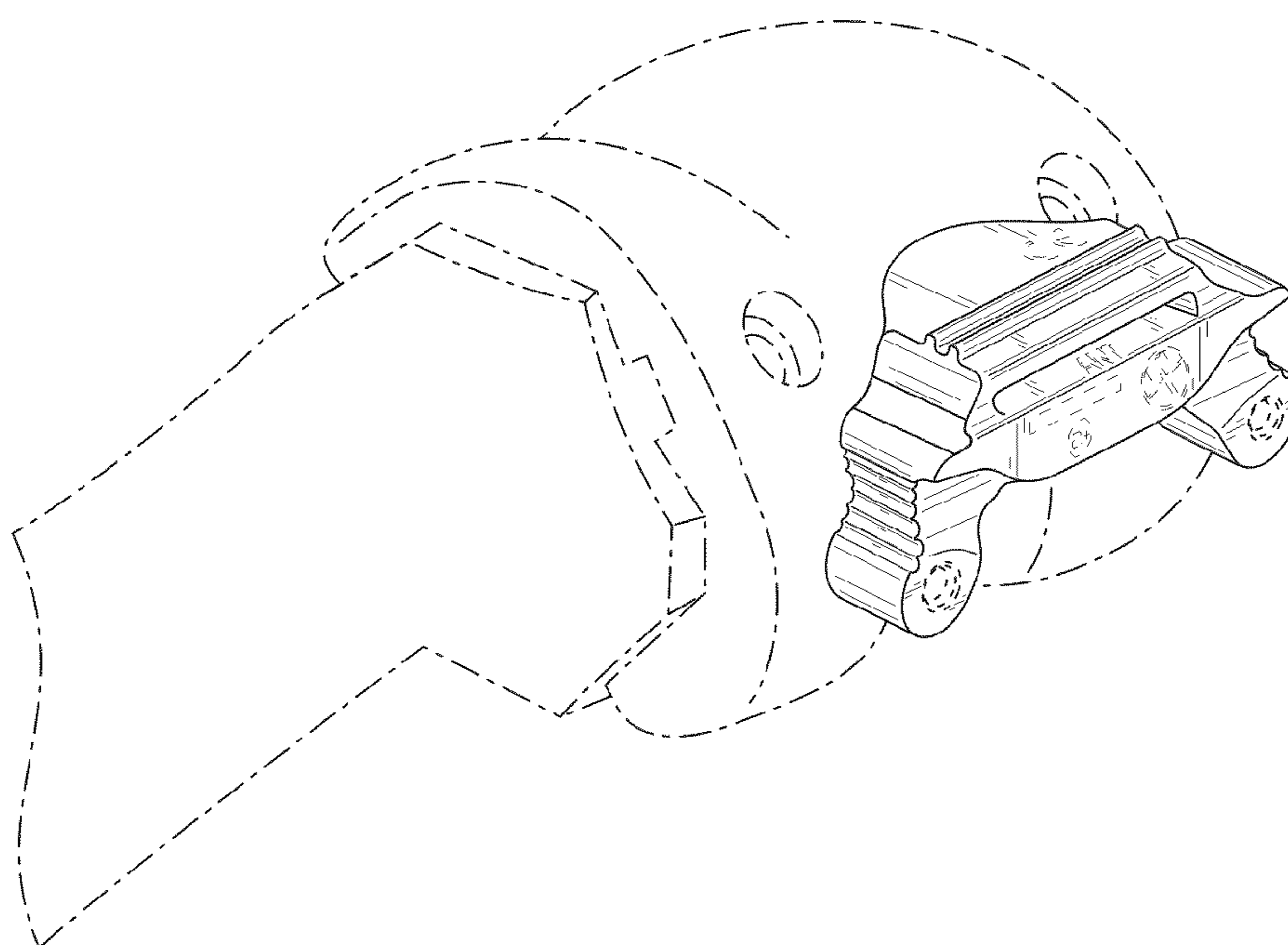


FIG. 1

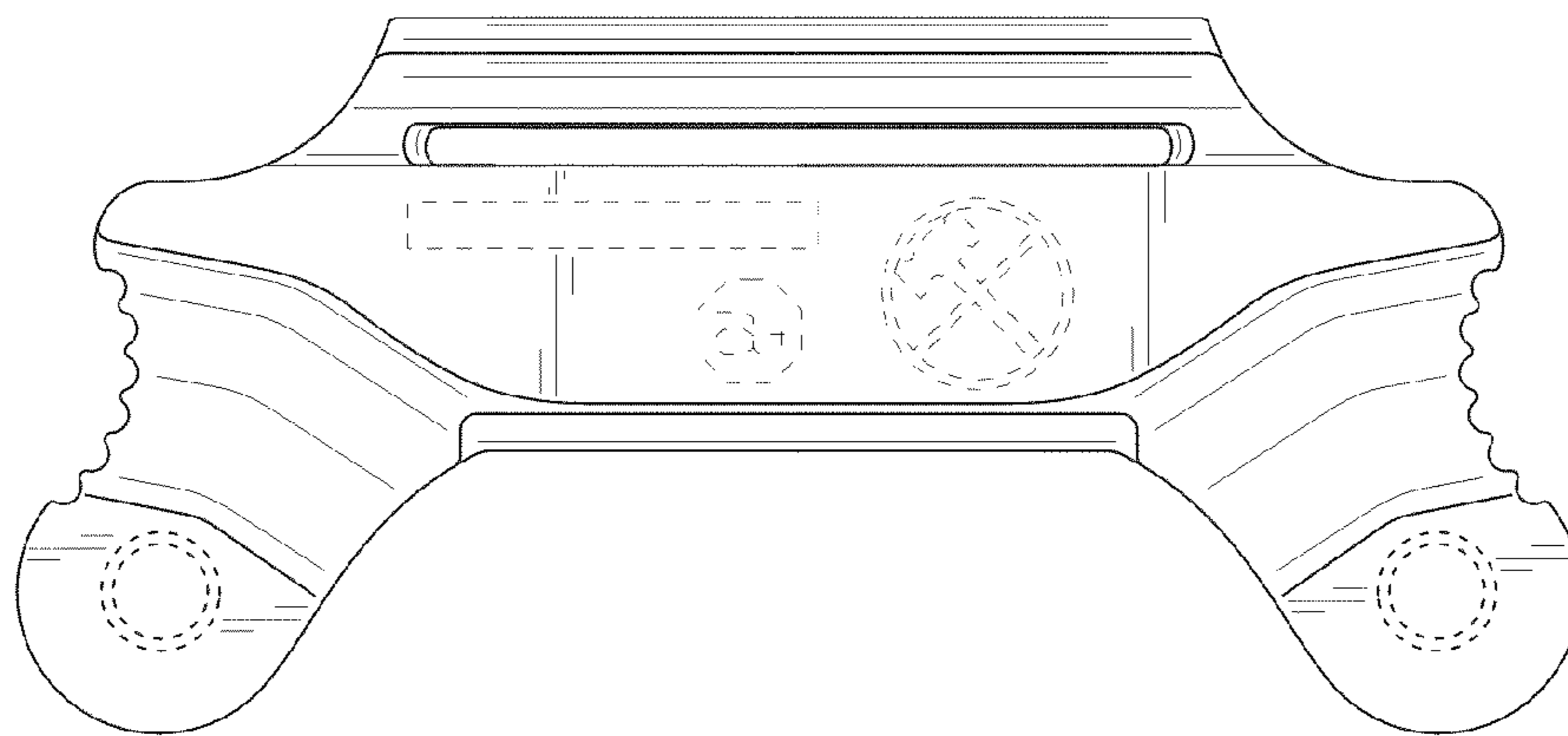


FIG. 2

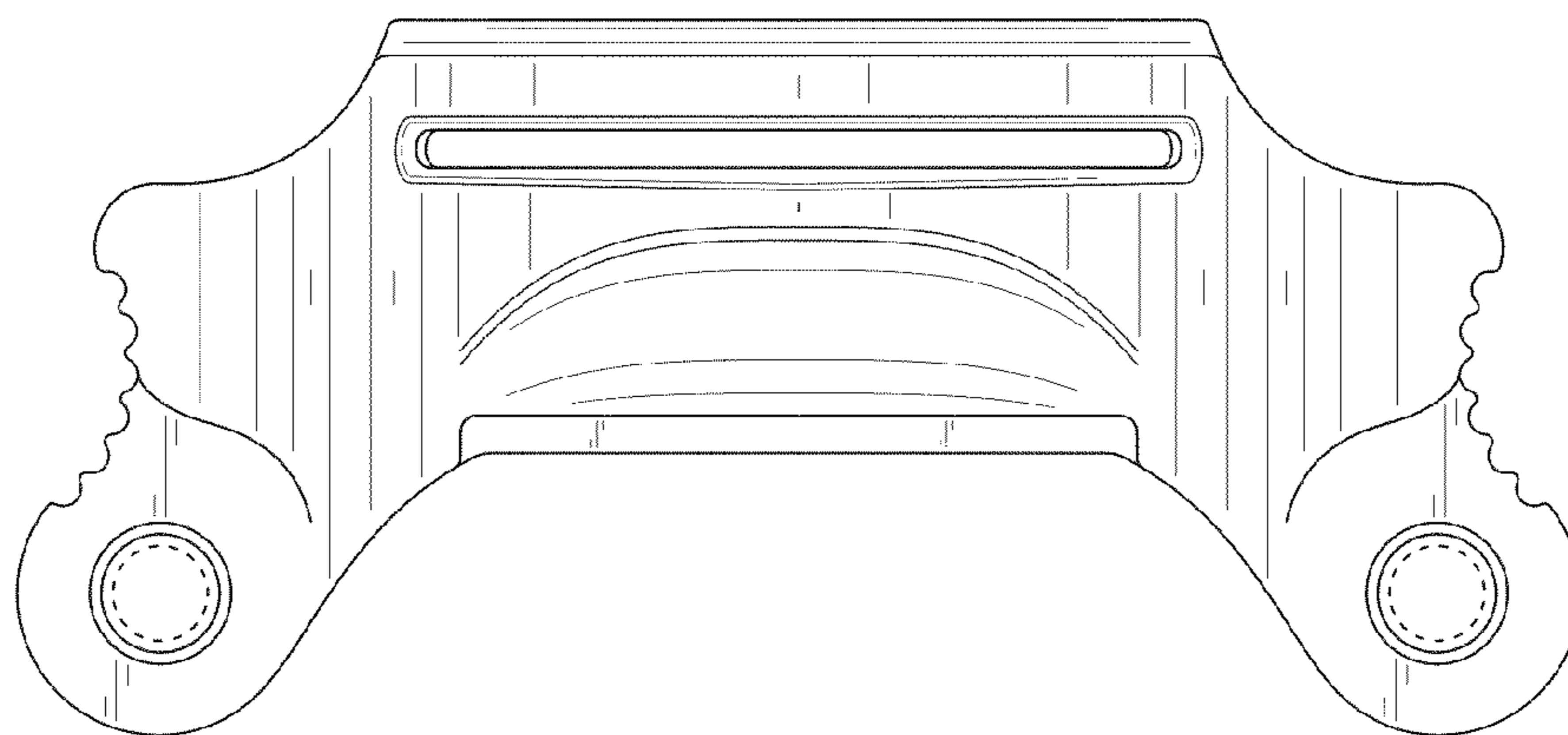


FIG. 3

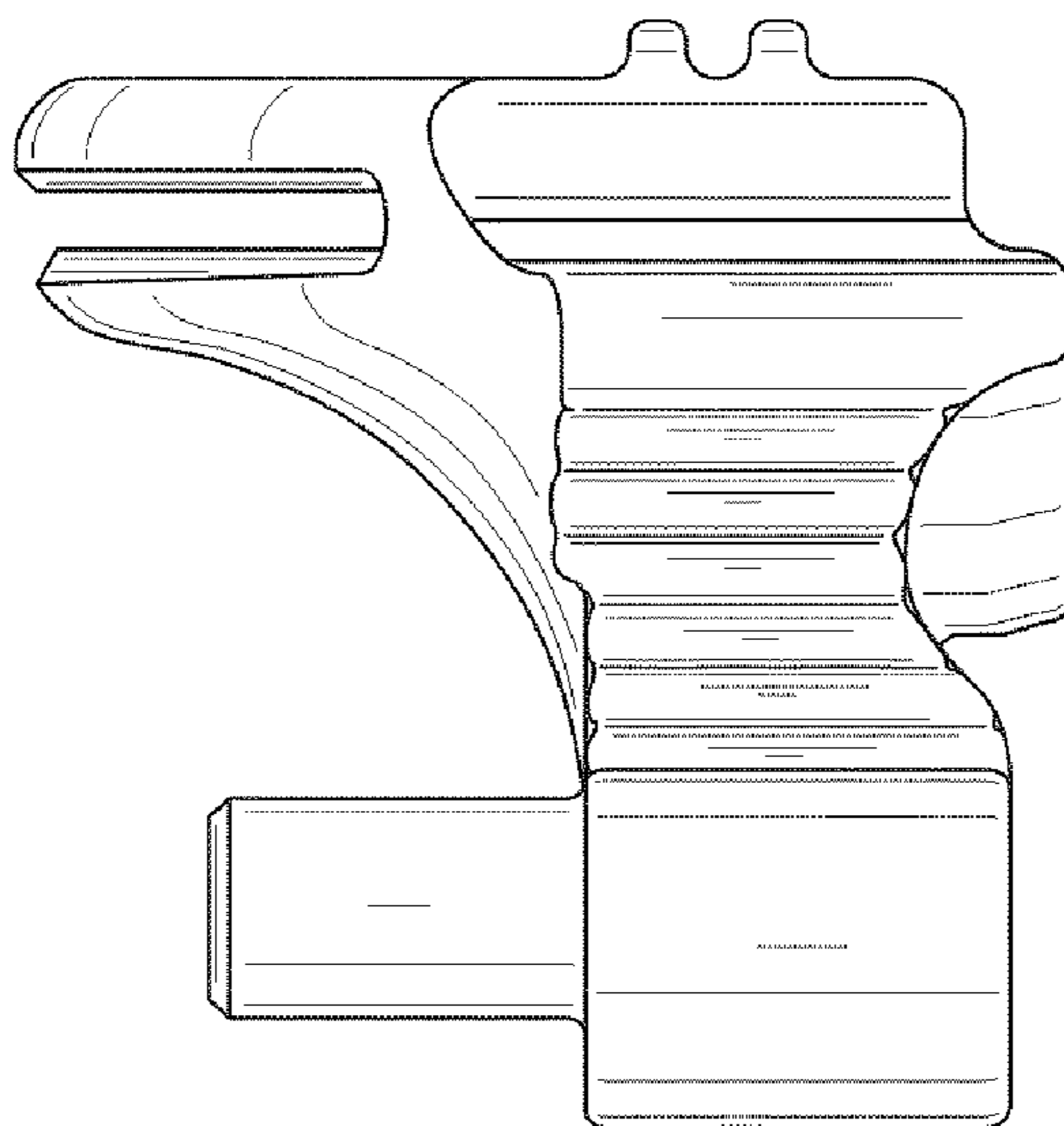


FIG. 4

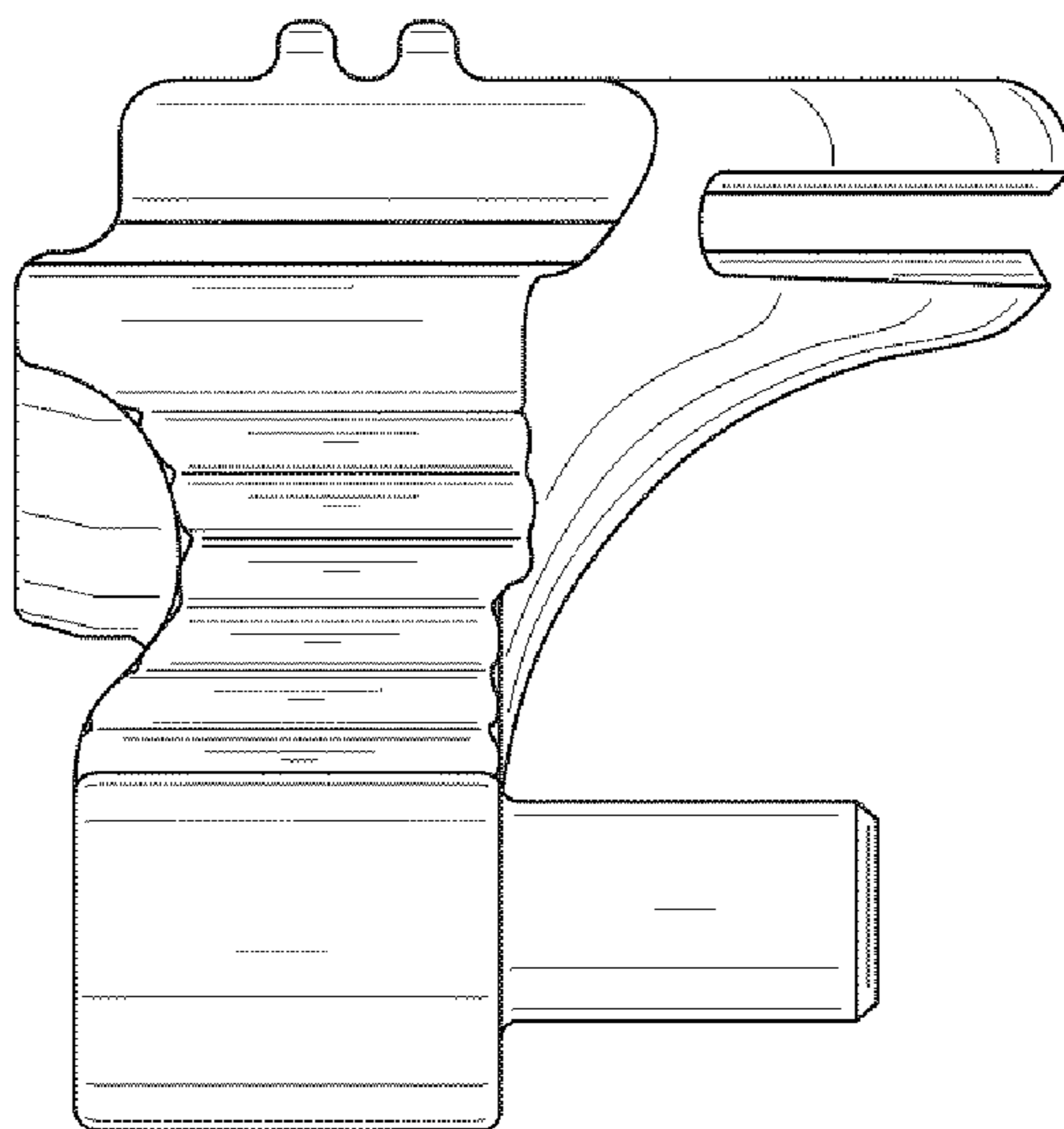


FIG. 5

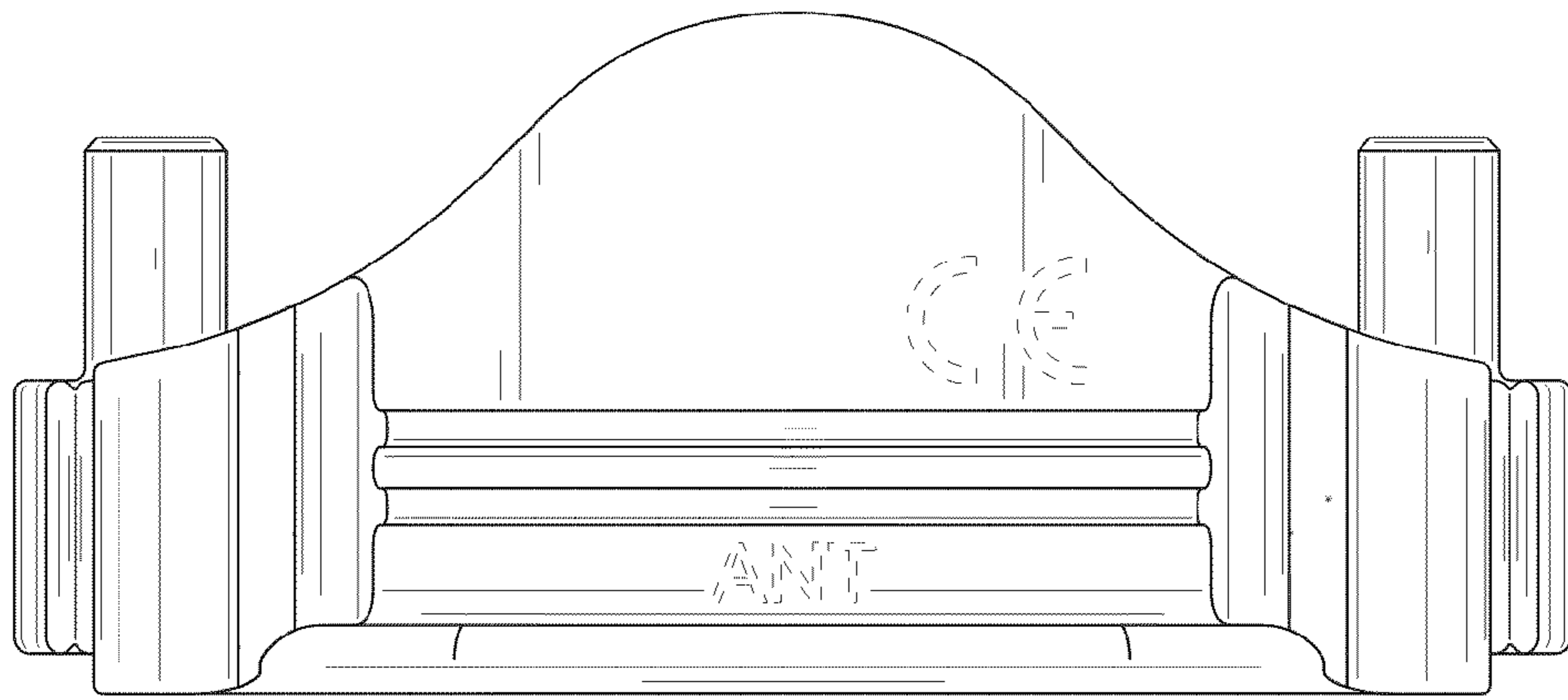


FIG. 6

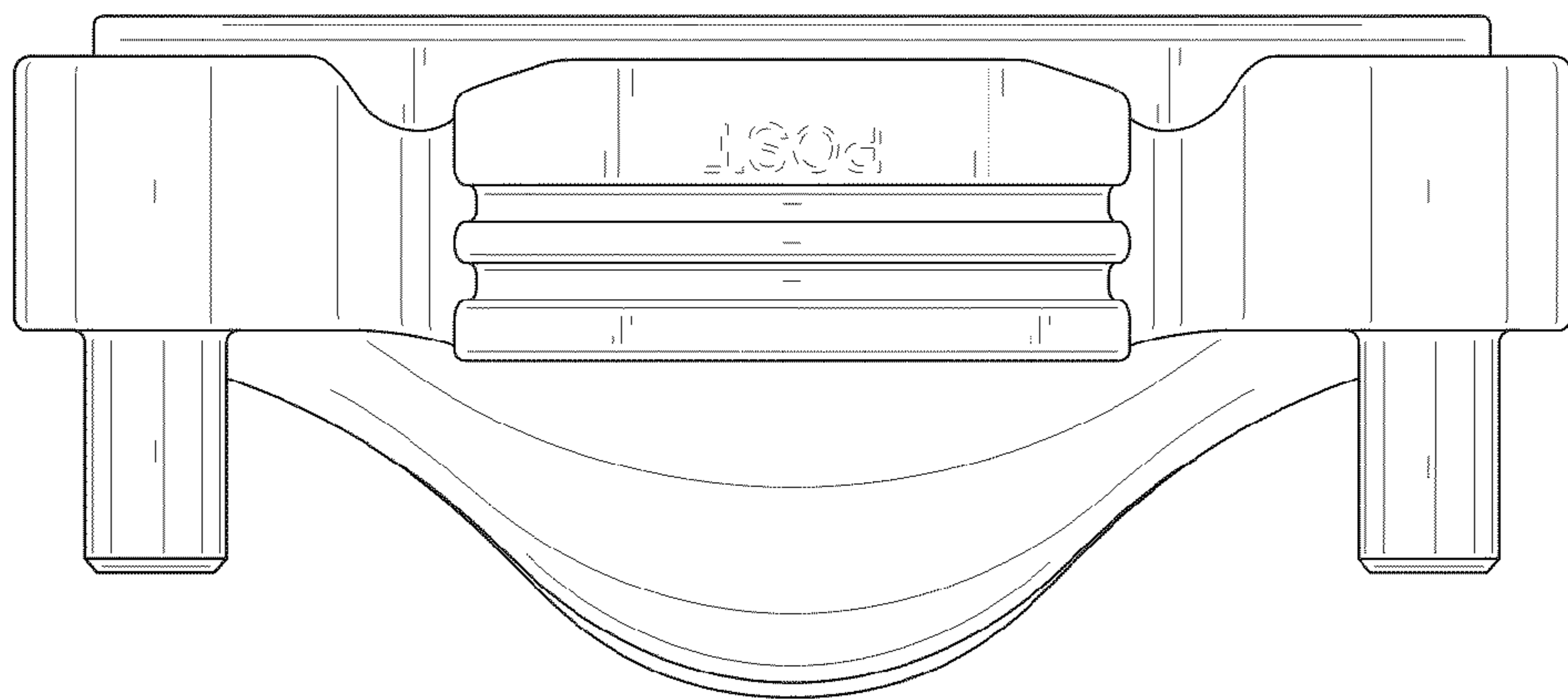


FIG. 7