



US00D646389S

(12) **United States Design Patent**
Claypool et al.

(10) **Patent No.:** **US D646,389 S**

(45) **Date of Patent:** **** Oct. 4, 2011**

(54) **PATELLA OSTEOTOMY GUIDE**

(75) Inventors: **Jody L. Claypool**, Columbia City, IN (US); **Steven E. Stump**, Goshen, IN (US)

(73) Assignee: **Zimmer, Inc.**, Warsaw, IN (US)

(**) Term: **14 Years**

(21) Appl. No.: **29/362,874**

(22) Filed: **Jun. 1, 2010**

(51) **LOC (9) Cl.** **24-02**

(52) **U.S. Cl.** **D24/140; D24/133**

(58) **Field of Classification Search** D24/133, D24/140, 143, 144, 145, 146, 147, 155, 171; 606/1, 53, 86 R, 87, 88, 89, 99, 105, 205, 606/206, 211, 916, 237

See application file for complete search history.

(56) **References Cited**

U.S. PATENT DOCUMENTS

2,411,944	A *	12/1946	Stone	606/116
2,541,435	A *	2/1951	Nock	401/10
2,959,858	A *	11/1960	Drake	433/4
D230,095	S *	1/1974	Rylee	D24/133
4,312,337	A *	1/1982	Donohue	606/80
4,633,862	A *	1/1987	Petersen	606/88
4,836,205	A *	6/1989	Barrett	606/144
5,053,039	A *	10/1991	Hofmann et al.	606/87
D359,560	S *	6/1995	Mitchell	D24/176
5,540,695	A *	7/1996	Levy	606/87
5,613,969	A *	3/1997	Jenkins, Jr.	606/87
5,626,607	A *	5/1997	Malecki et al.	606/205
D412,095	S *	7/1999	Tally	D8/60
6,015,408	A *	1/2000	Pichon et al.	606/53
D450,120	S *	11/2001	Adler et al.	D24/143

D532,265	S *	11/2006	Norton	D8/52
D592,747	S *	5/2009	Weiler et al.	D24/143
D596,293	S *	7/2009	Gao	D24/152
7,632,279	B2 *	12/2009	Bastian	606/88
D614,299	S *	4/2010	Koh et al.	D24/133
D631,546	S *	1/2011	Gao	D24/146
2002/0198451	A1 *	12/2002	Carson	600/424
2005/0149039	A1 *	7/2005	Haines et al.	606/87
2007/0118141	A1 *	5/2007	Marchyn et al.	606/88

* cited by examiner

Primary Examiner — Bridget L Eland

(74) *Attorney, Agent, or Firm* — Baker & Daniels LLP

(57) **CLAIM**

The ornamental design for a patella osteotomy guide, as shown and described.

DESCRIPTION

FIG. 1 is a perspective view of a patella osteotomy guide shown in an environment illustrating our new design;

FIG. 2 is a front end elevation view of the patella osteotomy guide shown removed from its environment in order to show aspects of the design that are not apparent in the perspective view;

FIG. 3 is a rear end elevation view thereof;

FIG. 4 is a left side elevation view thereof;

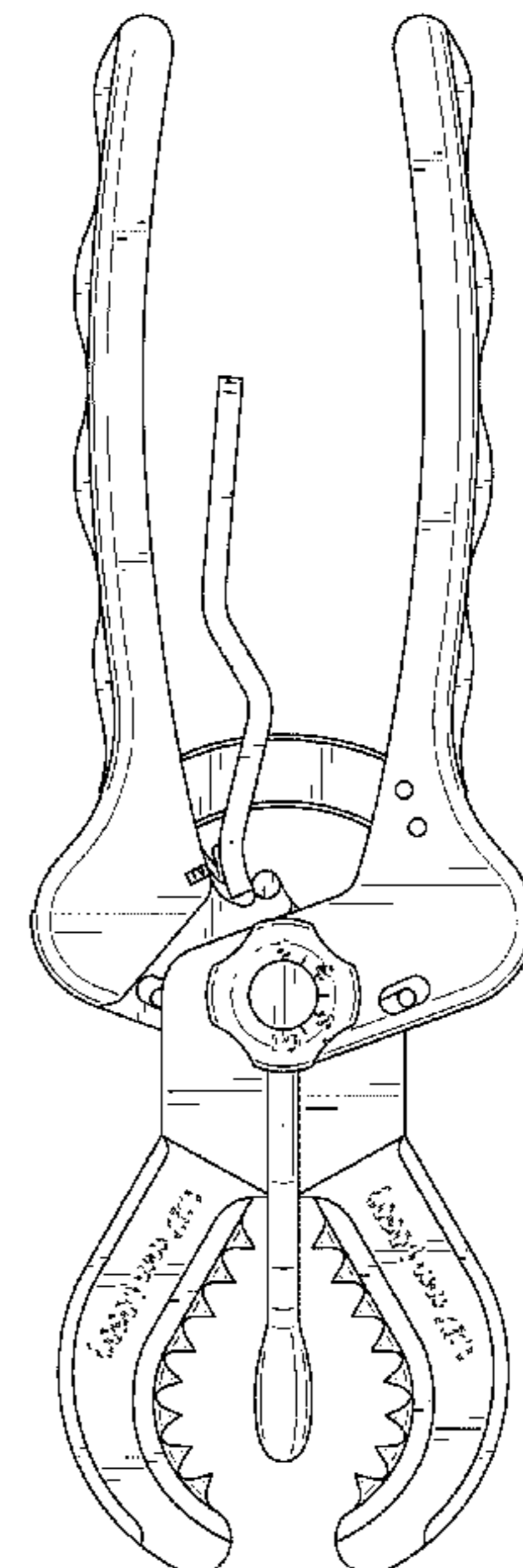
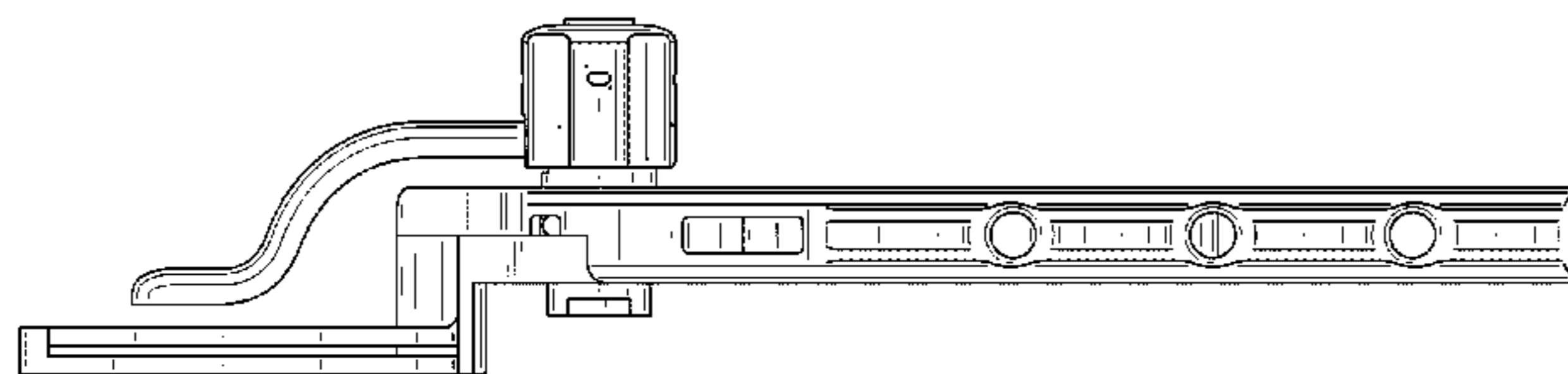
FIG. 5 is a right side elevation view thereof;

FIG. 6 is a top plan view thereof; and,

FIG. 7 is a bottom plan view thereof.

The broken lines shown that are immediately adjacent the shaded areas represent unclaimed boundaries while the dot-dash broken lines are directed to environment and are for illustrative purposes only; the broken lines form no part of the claimed design.

1 Claim, 6 Drawing Sheets



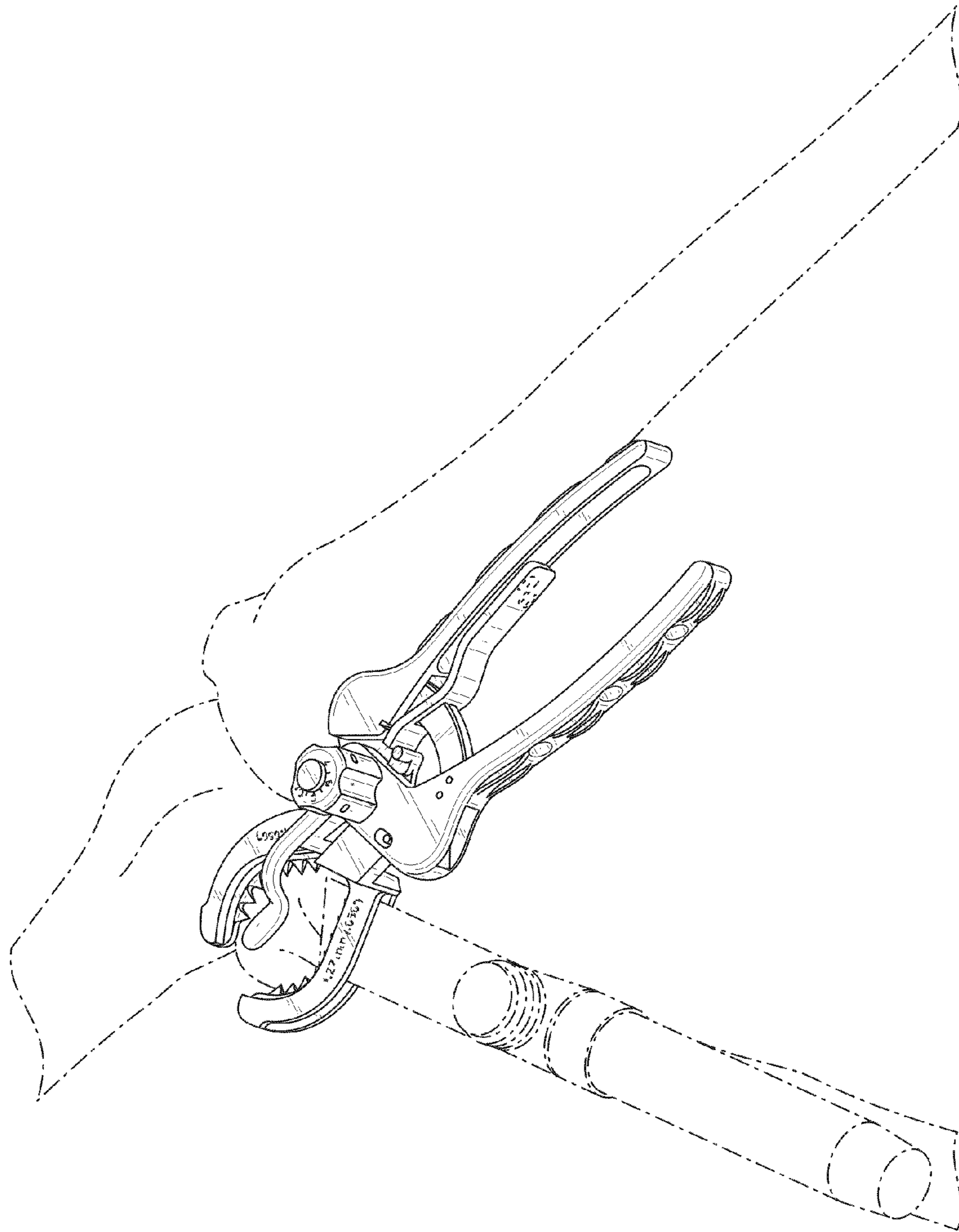


FIG. 1

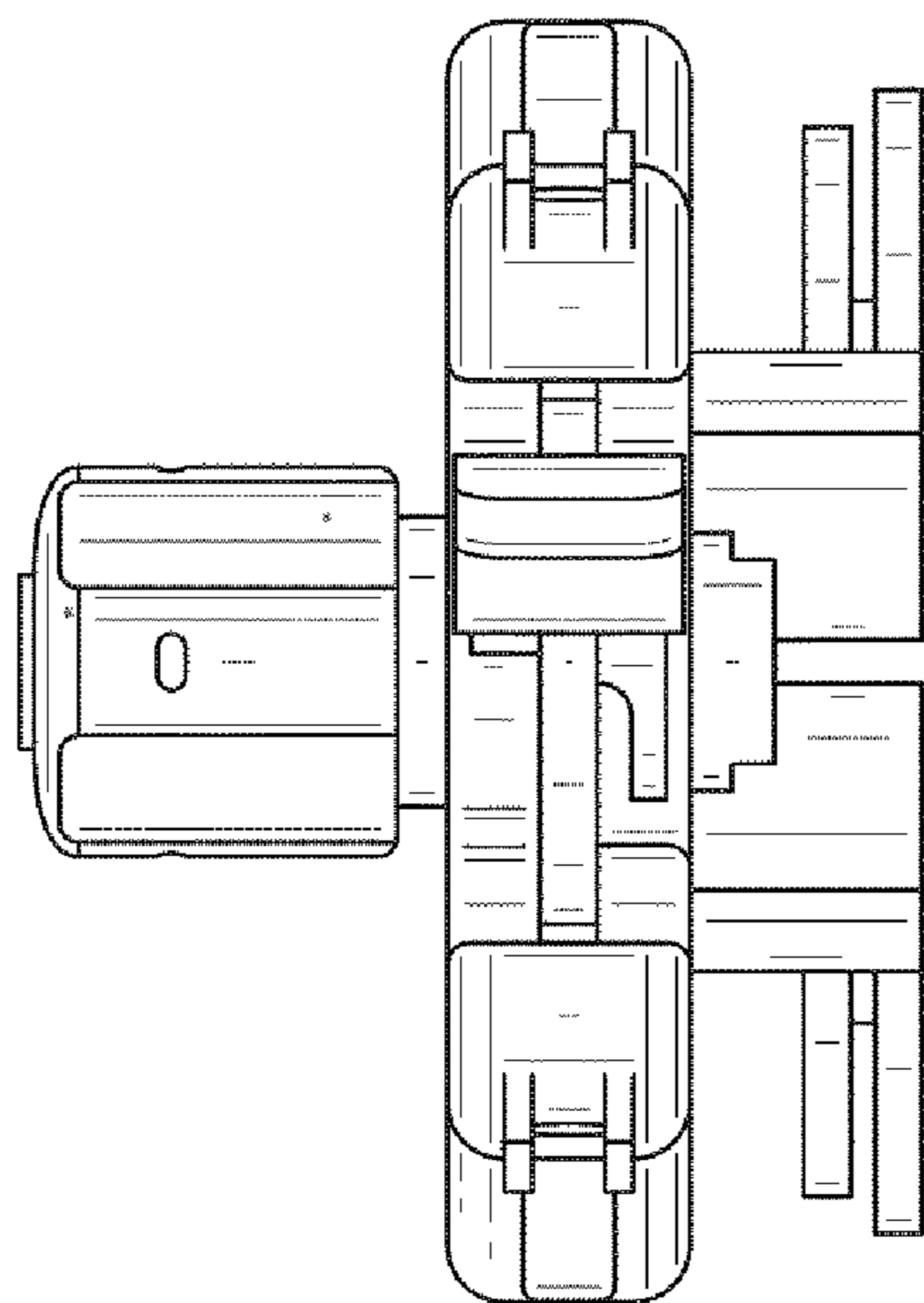


FIG. 3

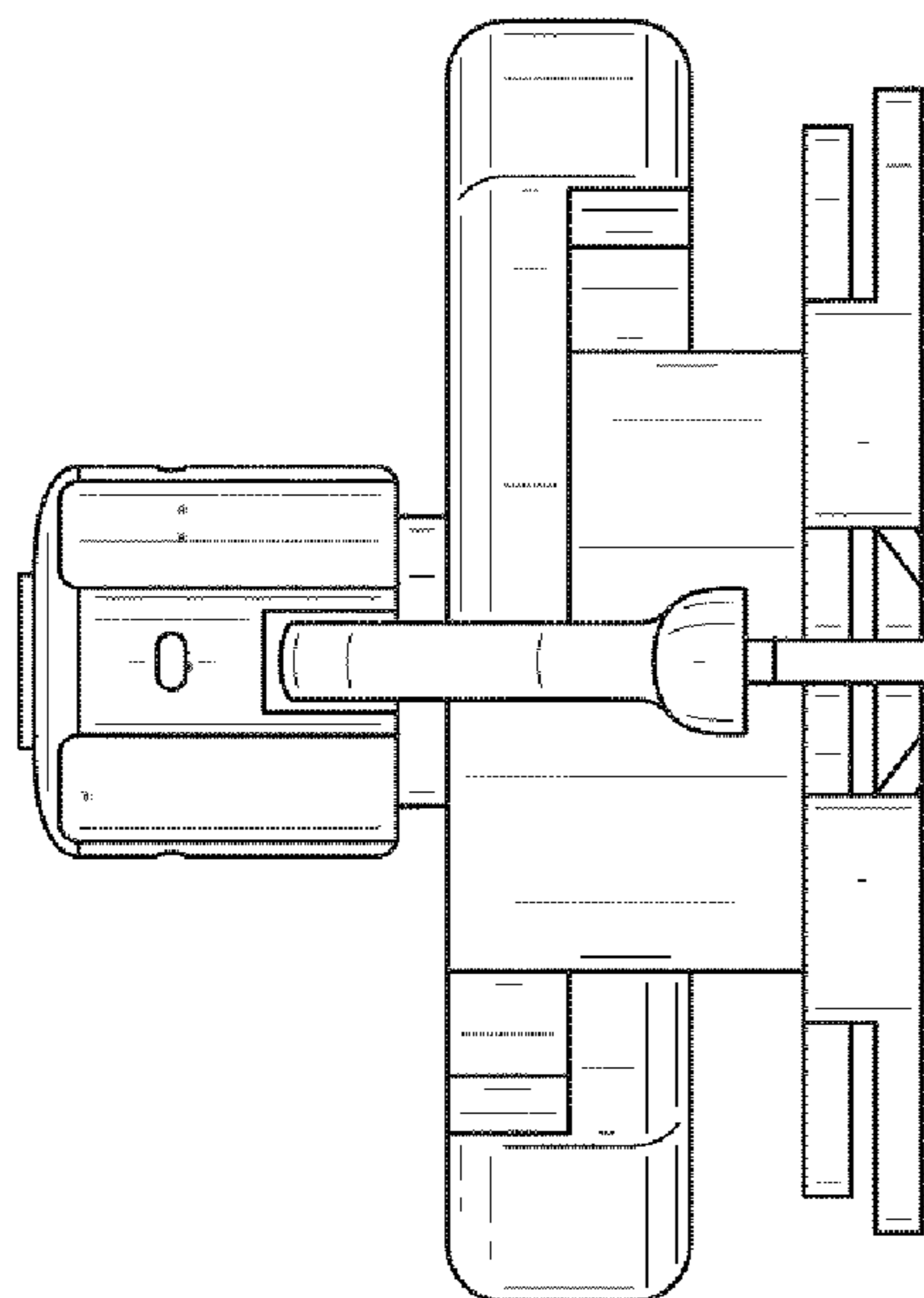


FIG. 2

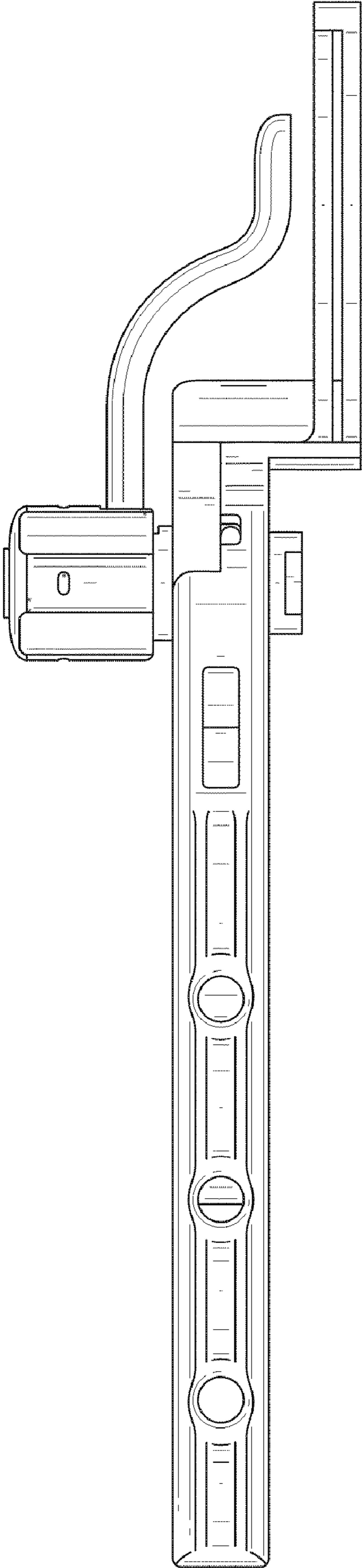


FIG. 4

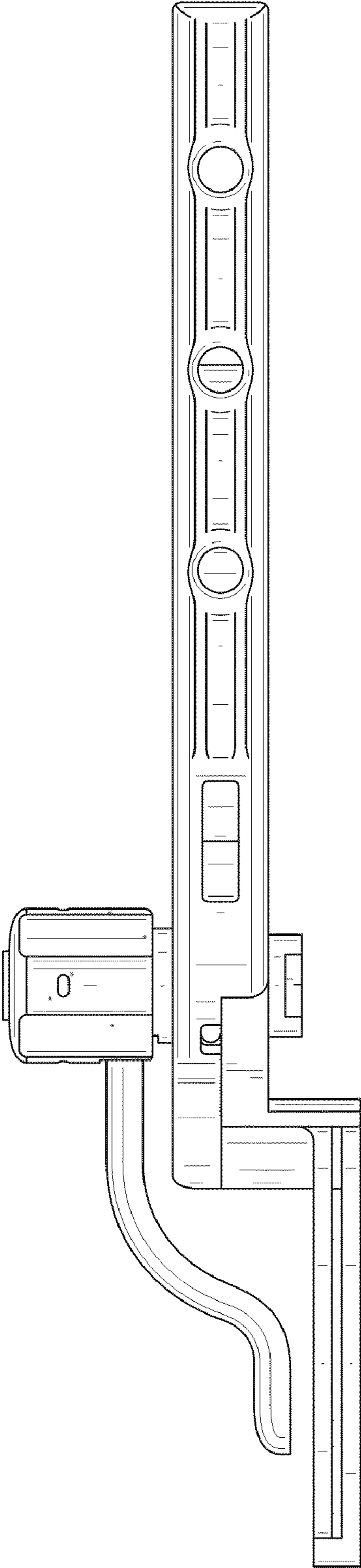


FIG. 5

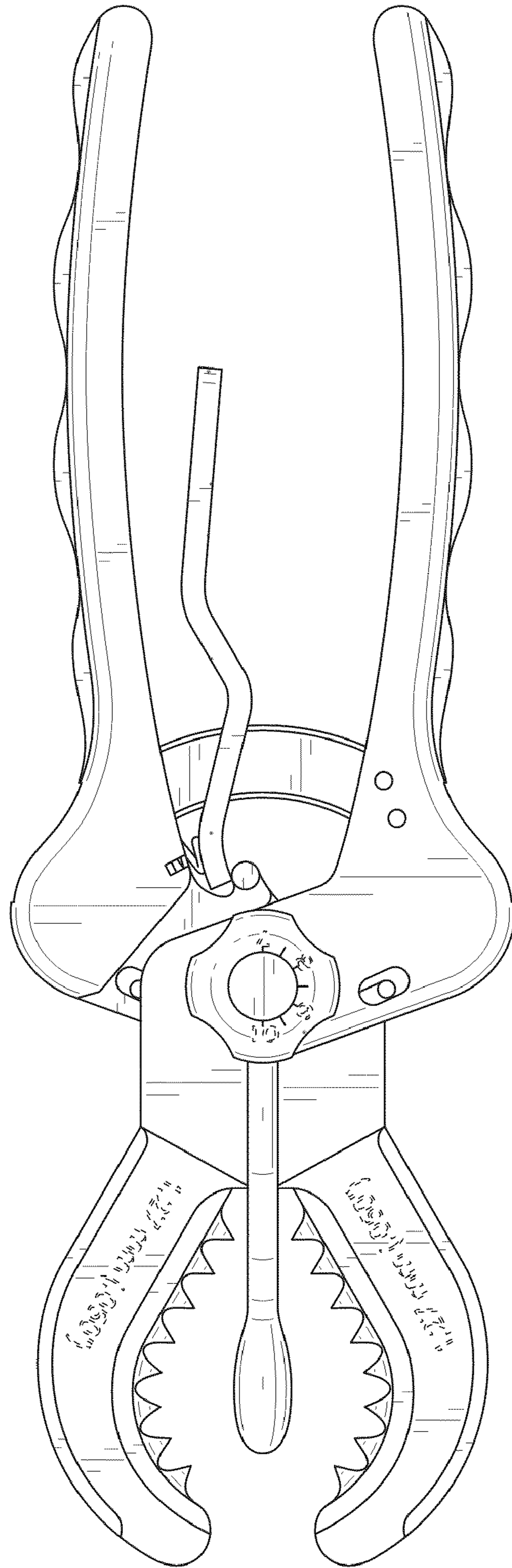


FIG. 6

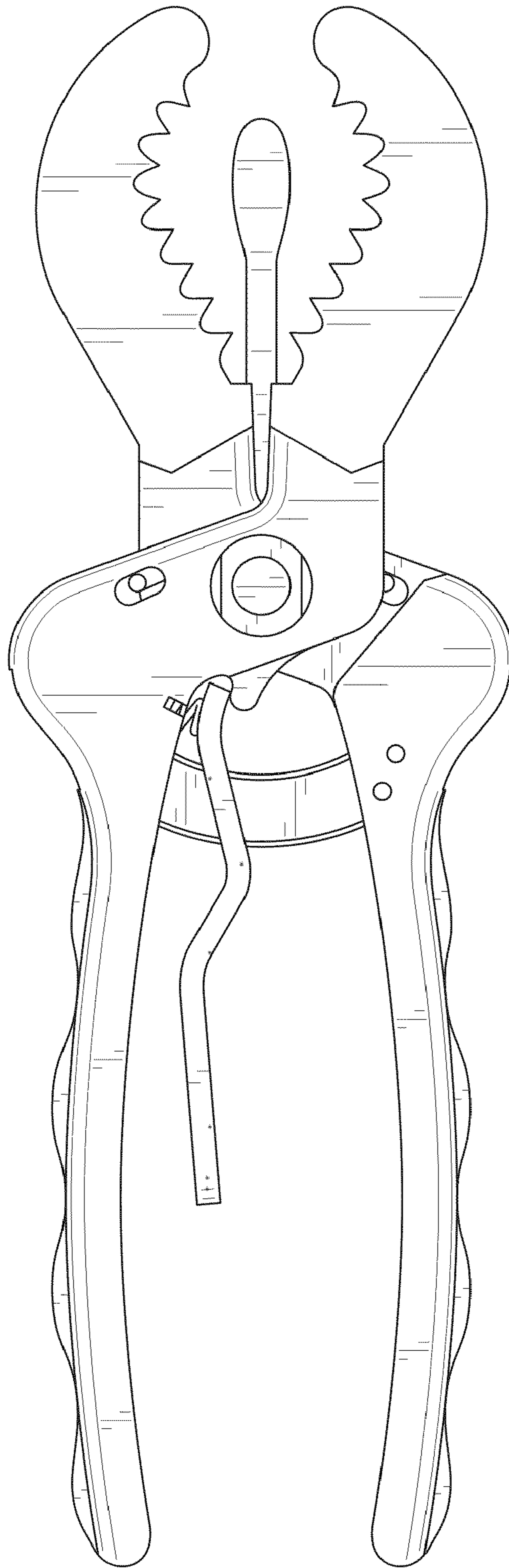


FIG. 7