

US00D646388S

(12) **United States Design Patent**  
**Habegger et al.**

(10) **Patent No.:** **US D646,388 S**

(45) **Date of Patent:** **\*\* Oct. 4, 2011**

(54) **EXTRAMEDULLARY ROD ALIGNMENT ADAPTER**

(75) Inventors: **Abraham P. Habegger**, Warsaw, IN (US); **Jeffery A. VanDiepenbos**, Syracuse, IN (US); **Lindsay M. Hack**, Winona Lake, IN (US)

(73) Assignee: **Zimmer, Inc.**, Warsaw, IN (US)

(\*\*) Term: **14 Years**

(21) Appl. No.: **29/362,753**

(22) Filed: **May 28, 2010**

(51) **LOC (9) Cl.** ..... **24-02**

(52) **U.S. Cl.** ..... **D24/140**

(58) **Field of Classification Search** ..... D24/133, D24/140, 143, 144, 145, 146, 147, 155, 171; 606/1, 53, 86 R, 87, 88, 89, 99, 105, 205, 606/206, 211, 916, 237

See application file for complete search history.

(56) **References Cited**

**U.S. PATENT DOCUMENTS**

4,399,813	A *	8/1983	Barber	.....	606/99
D273,894	S *	5/1984	Kenna	.....	D24/140
5,690,638	A *	11/1997	Dance et al.	.....	606/88
5,749,876	A *	5/1998	Duvillier et al.	.....	606/88
6,159,216	A *	12/2000	Burkinshaw et al.	.....	606/88

D560,278	S *	1/2008	Malis	.....	D24/144
D561,896	S *	2/2008	Jones	.....	D24/130
2005/0149039	A1 *	7/2005	Haines et al.	.....	606/87
2006/0142774	A1 *	6/2006	Metzger	.....	606/79

\* cited by examiner

*Primary Examiner* — Bridget L Eland

(74) *Attorney, Agent, or Firm* — Baker & Daniels LLP

(57) **CLAIM**

The ornamental design for an extramedullary rod alignment adapter, as shown and described.

**DESCRIPTION**

FIG. 1 is a perspective view of an extramedullary rod alignment adapter shown in an environment illustrating our new design;

FIG. 2 is a rear end elevation view of the an extramedullary rod alignment adapter shown removed from its environment for ease of illustration;

FIG. 3 is a front end elevation view thereof;

FIG. 4 is a right side elevation view thereof;

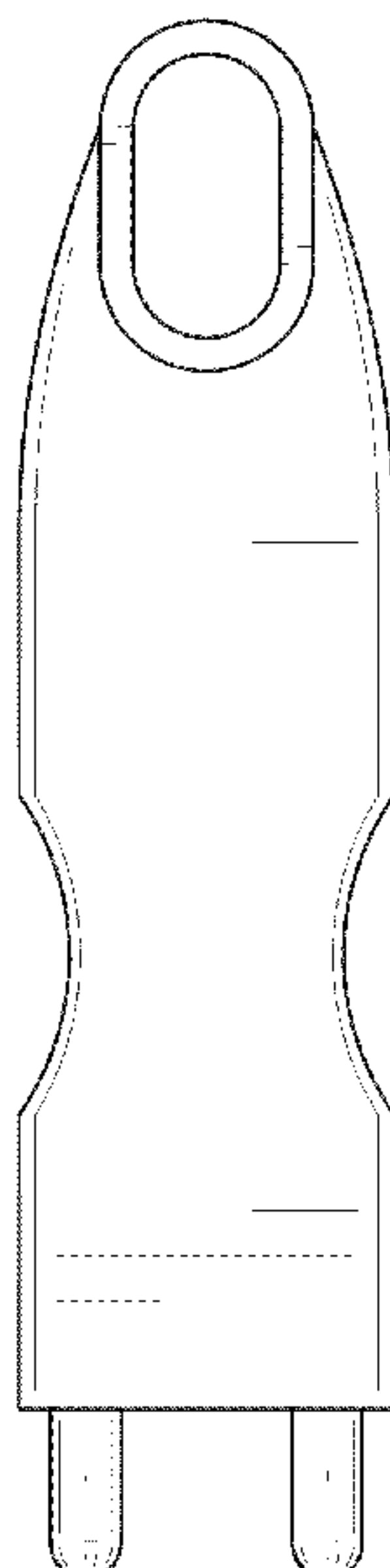
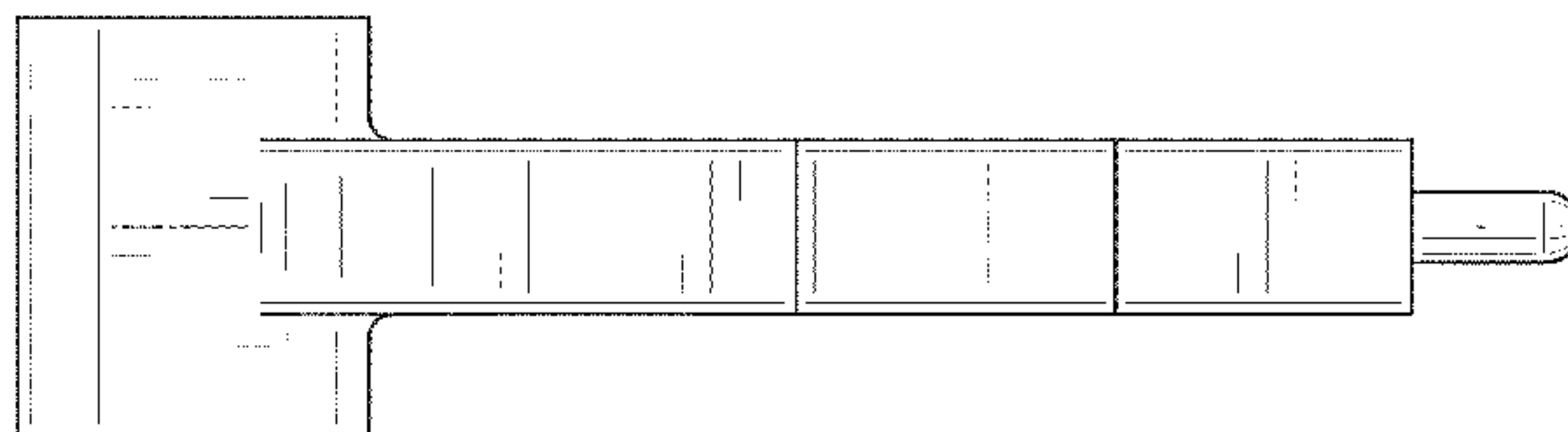
FIG. 5 is a left side elevation view thereof;

FIG. 6 is a top plan view thereof; and,

FIG. 7 is a bottom plan view thereof.

The dot-dash broken lines are directed to environment and are for illustrative purposes only; the broken lines form no part of the claimed design.

**1 Claim, 4 Drawing Sheets**



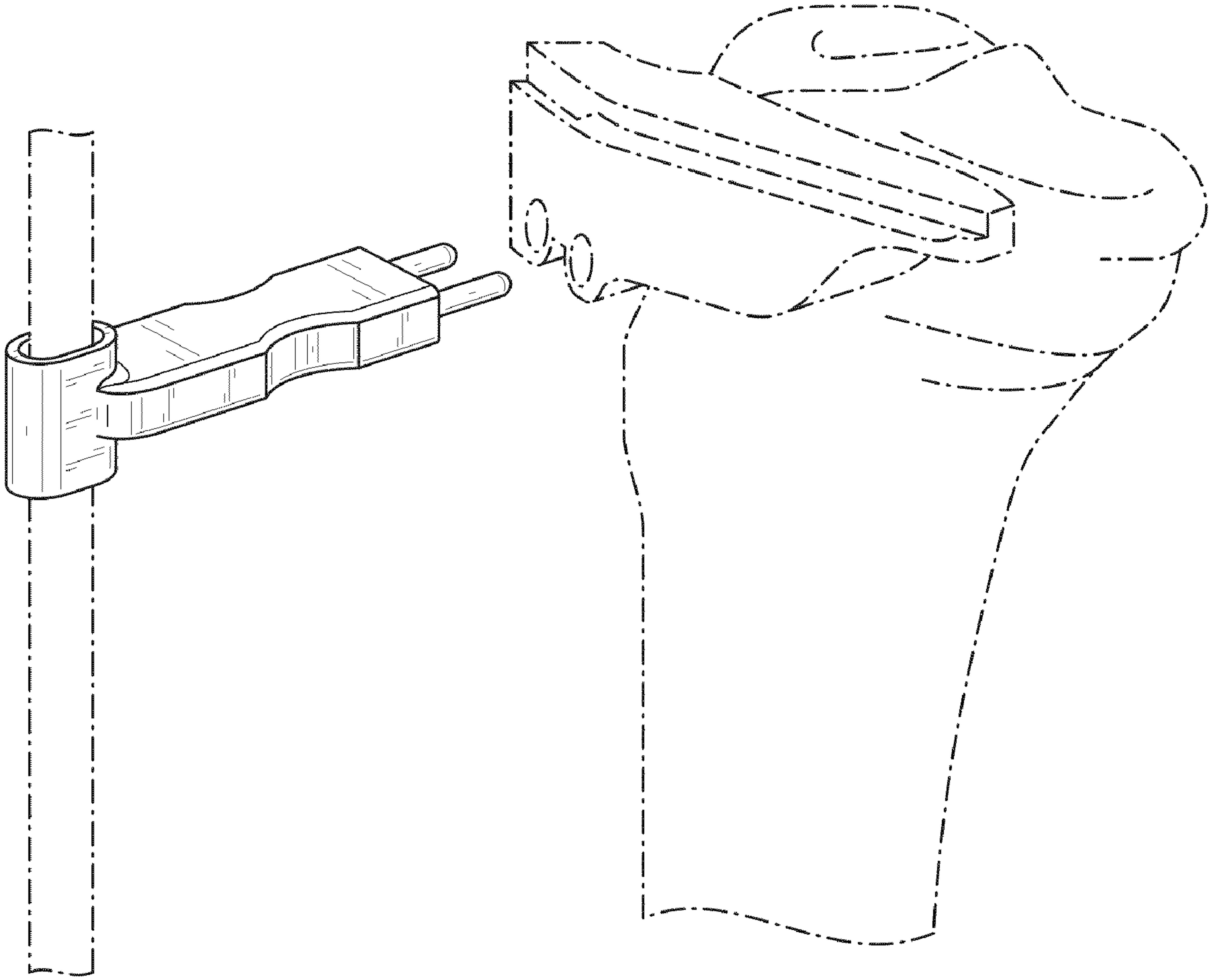


FIG. 1

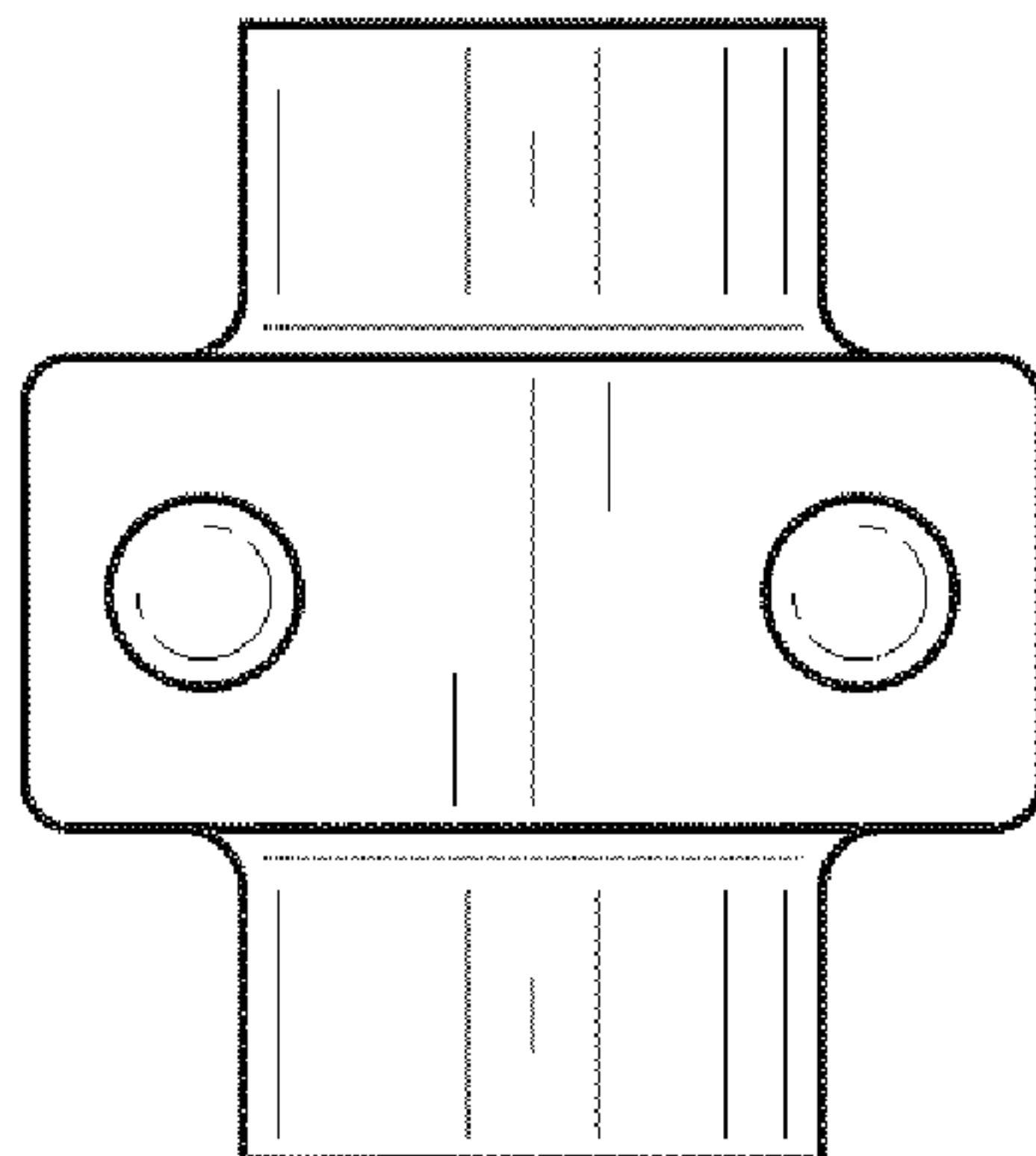


FIG. 2

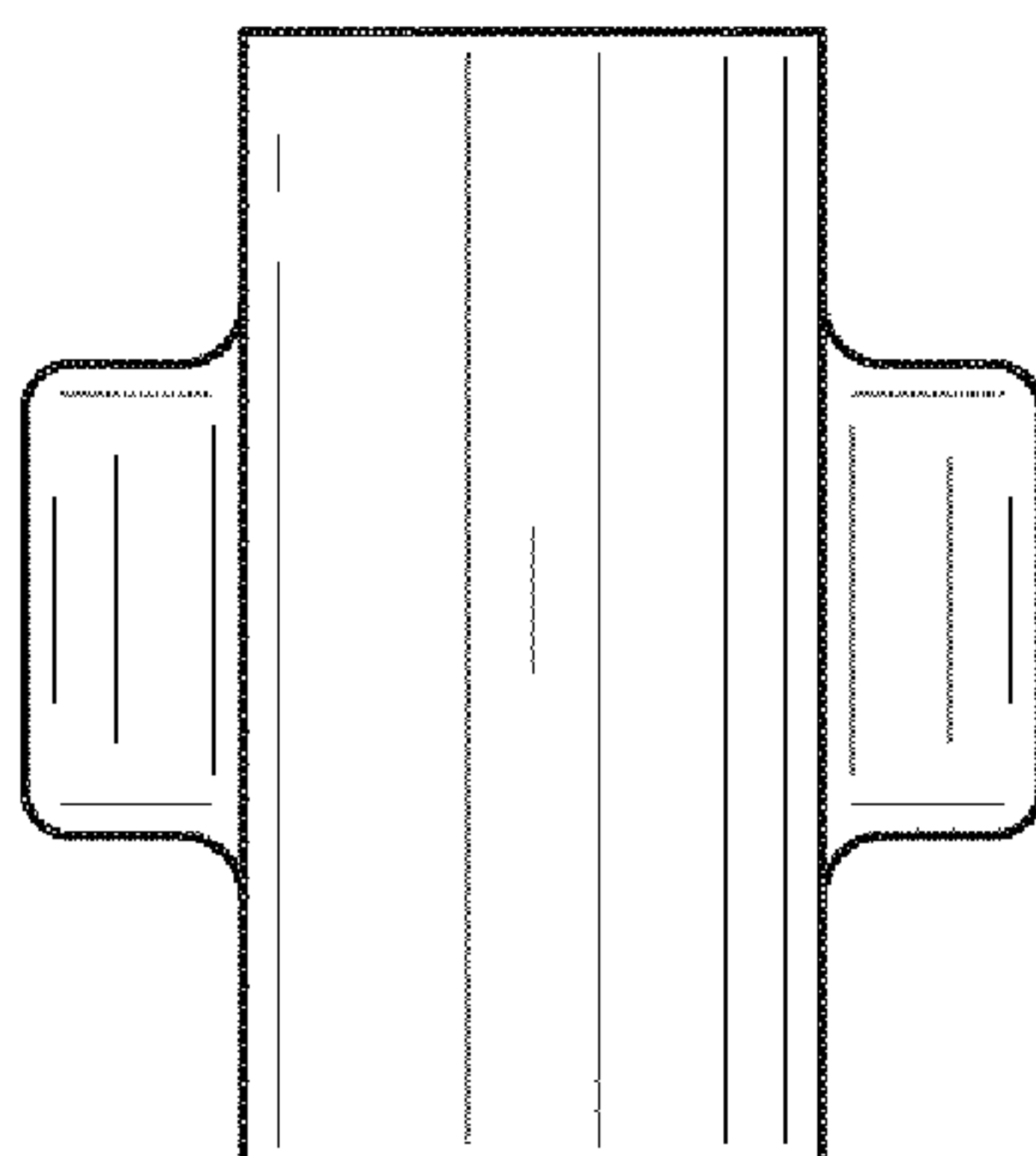


FIG. 3

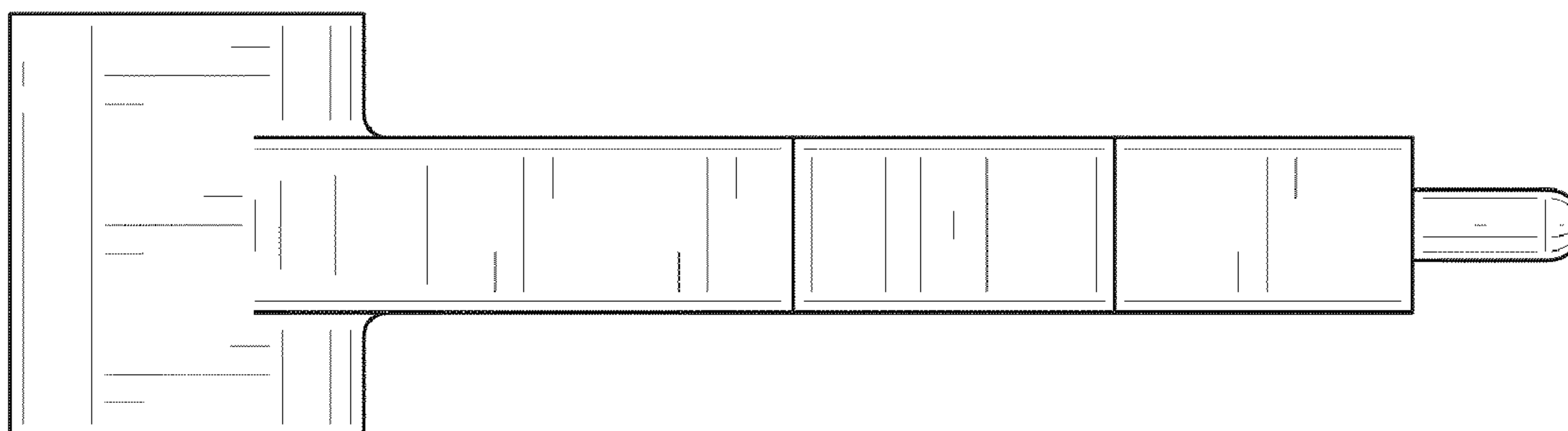


FIG. 4

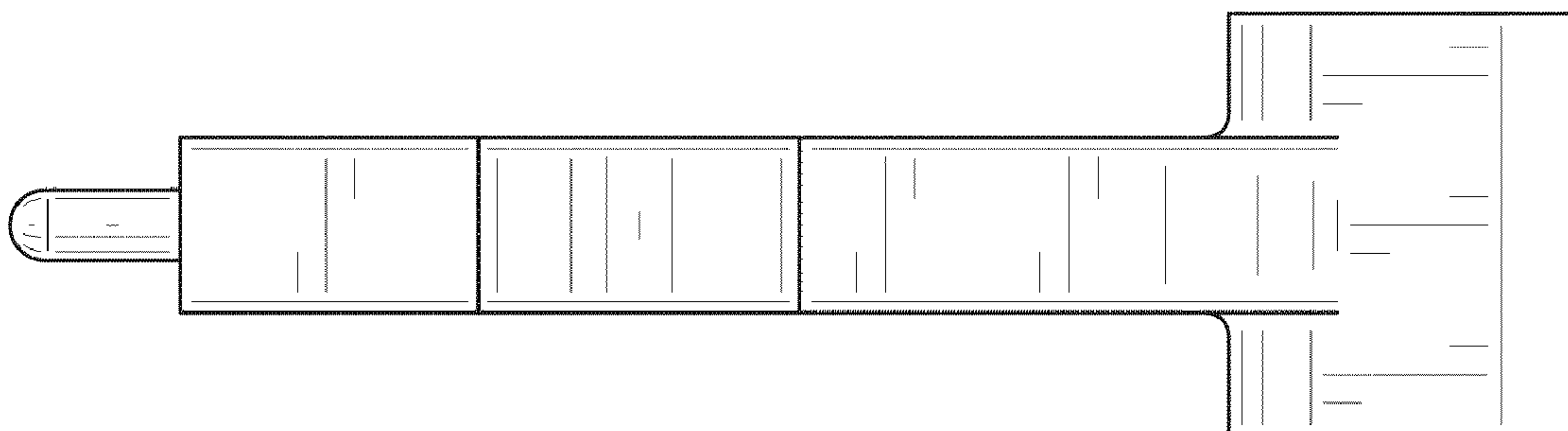


FIG. 5

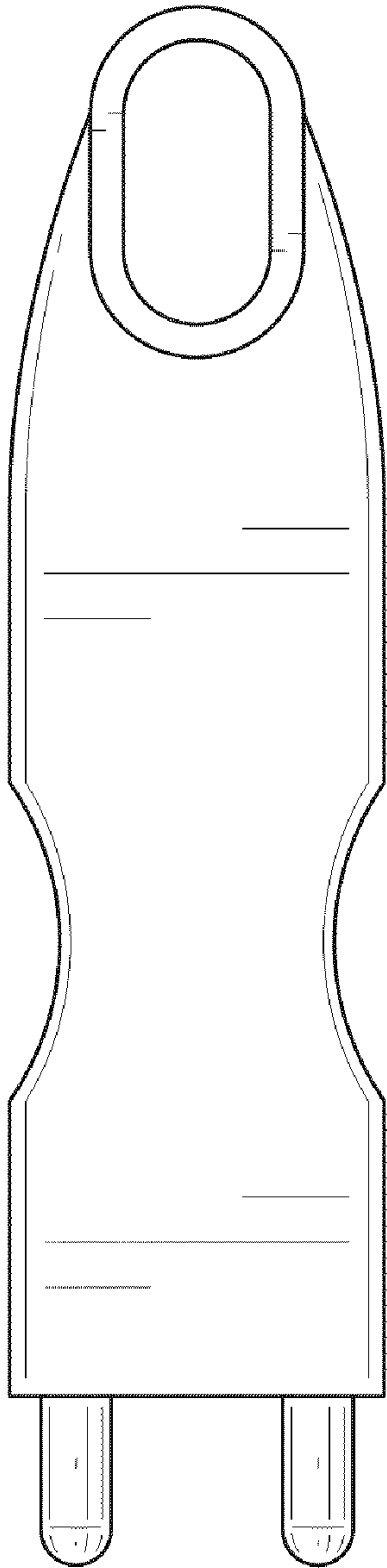


FIG. 6

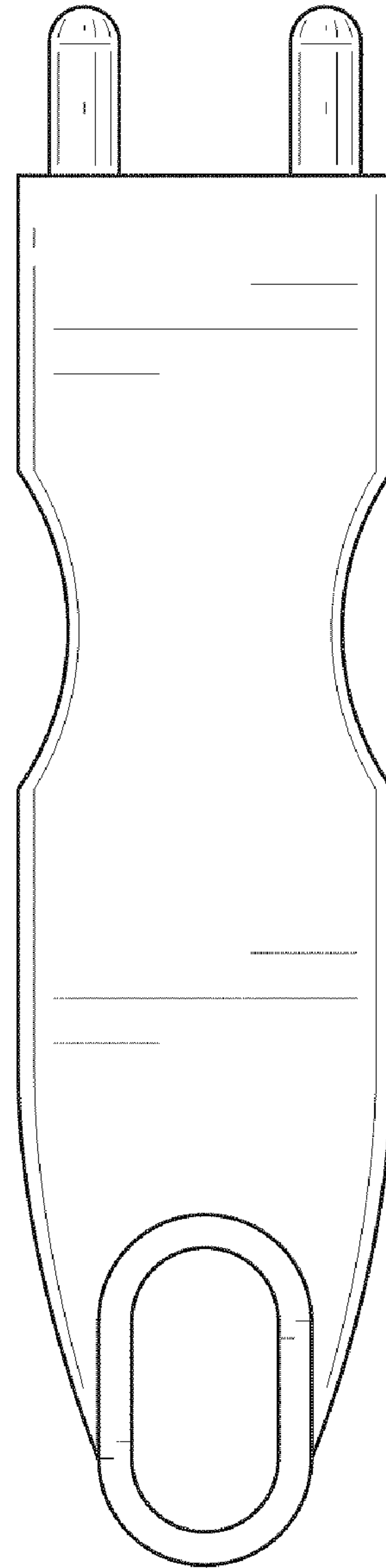


FIG. 7