

US00D646383S

(12) **United States Design Patent**
Lulla et al.

(10) **Patent No.:** **US D646,383 S**

(45) **Date of Patent:** **** *Oct. 4, 2011**

(54) **CARTRIDGE FOR A MULTIDOSE INHALER**

(75) Inventors: **Amar Lulla**, Mumbai (IN); **Xerxes Rao**, Mumbai (IN)

(73) Assignee: **CIPLA Limited**, Mumbai (IN)

(*) Notice: This patent is subject to a terminal disclaimer.

(**) Term: **14 Years**

(21) Appl. No.: **29/295,424**

(22) Filed: **Sep. 28, 2007**

(30) **Foreign Application Priority Data**

Mar. 28, 2007 (IN) 209115

(51) **LOC (9) Cl.** **24-02**

(52) **U.S. Cl.** **D24/127**

(58) **Field of Classification Search** D24/107,
D24/121, 127, 216, 224, 231, 232; 128/203.12,
128/203.15; 215/47, 48, DIG. 3; 222/215,
222/540
See application file for complete search history.

(56) **References Cited**

U.S. PATENT DOCUMENTS

699,598	A *	5/1902	Warner	422/126
5,388,572	A *	2/1995	Mulhauser et al.	128/203.15
5,388,573	A *	2/1995	Mulhauser et al.	128/203.15
5,460,173	A *	10/1995	Mulhauser et al.	128/203.15
5,492,112	A *	2/1996	Mecikalski et al.	128/203.15
5,529,059	A *	6/1996	Armstrong et al.	128/203.12
5,577,497	A *	11/1996	Mecikalski et al.	128/203.15
5,622,166	A *	4/1997	Eisele et al.	128/203.12
5,769,073	A *	6/1998	Eason et al.	128/203.15
5,794,613	A *	8/1998	Piskorski	128/203.12
5,823,182	A *	10/1998	Van Oort	128/203.12
5,829,434	A *	11/1998	Ambrosio et al.	128/203.15
5,921,237	A *	7/1999	Eisele et al.	128/203.21

5,924,417	A *	7/1999	Braithwaite	128/203.15
6,065,472	A *	5/2000	Anderson et al.	128/203.21
6,220,243	B1 *	4/2001	Schaeffer et al.	128/203.15
6,240,918	B1 *	6/2001	Ambrosio et al.	128/203.15
6,273,085	B1 *	8/2001	Eisele et al.	128/203.15
6,730,066	B1 *	5/2004	Bennwik et al.	604/296
6,880,555	B1 *	4/2005	Brunnberg et al.	128/203.12
6,889,690	B2 *	5/2005	Crowder et al.	128/203.15
6,923,178	B2 *	8/2005	Snow	128/203.15
6,971,384	B2 *	12/2005	Gieschen et al.	128/203.15
7,069,929	B2 *	7/2006	Young et al.	128/203.15
7,219,665	B1 *	5/2007	Braithwaite	128/203.21
7,273,591	B2 *	9/2007	Sellers et al.	422/104
7,275,538	B2 *	10/2007	Nakamura et al.	128/203.15
7,395,821	B2 *	7/2008	Lulla et al.	128/203.12
7,575,003	B2 *	8/2009	Rasmussen et al.	128/200.23
2007/0221218	A1 *	9/2007	Warden et al.	128/203.15
2007/0235029	A1 *	10/2007	Zhu et al.	128/203.12
2007/0267015	A1 *	11/2007	Thoemmes et al.	128/203.12
2007/0277820	A1 *	12/2007	Crowder	128/203.12
2009/0205656	A1 *	8/2009	Nishibayashi et al.	..	128/203.15

* cited by examiner

Primary Examiner — Karen E Eldridge Powers

(74) *Attorney, Agent, or Firm* — Blank Rome LLP

(57) **CLAIM**

The ornamental design for cartridge for a multidose inhaler, as shown and described.

DESCRIPTION

FIG. 1 is a left side view of a cartridge for a multidose inhaler according to my new and ornamental design,

FIG. 2 is a top view thereof,

FIG. 3 is a front view thereof,

FIG. 4 is a bottom view thereof,

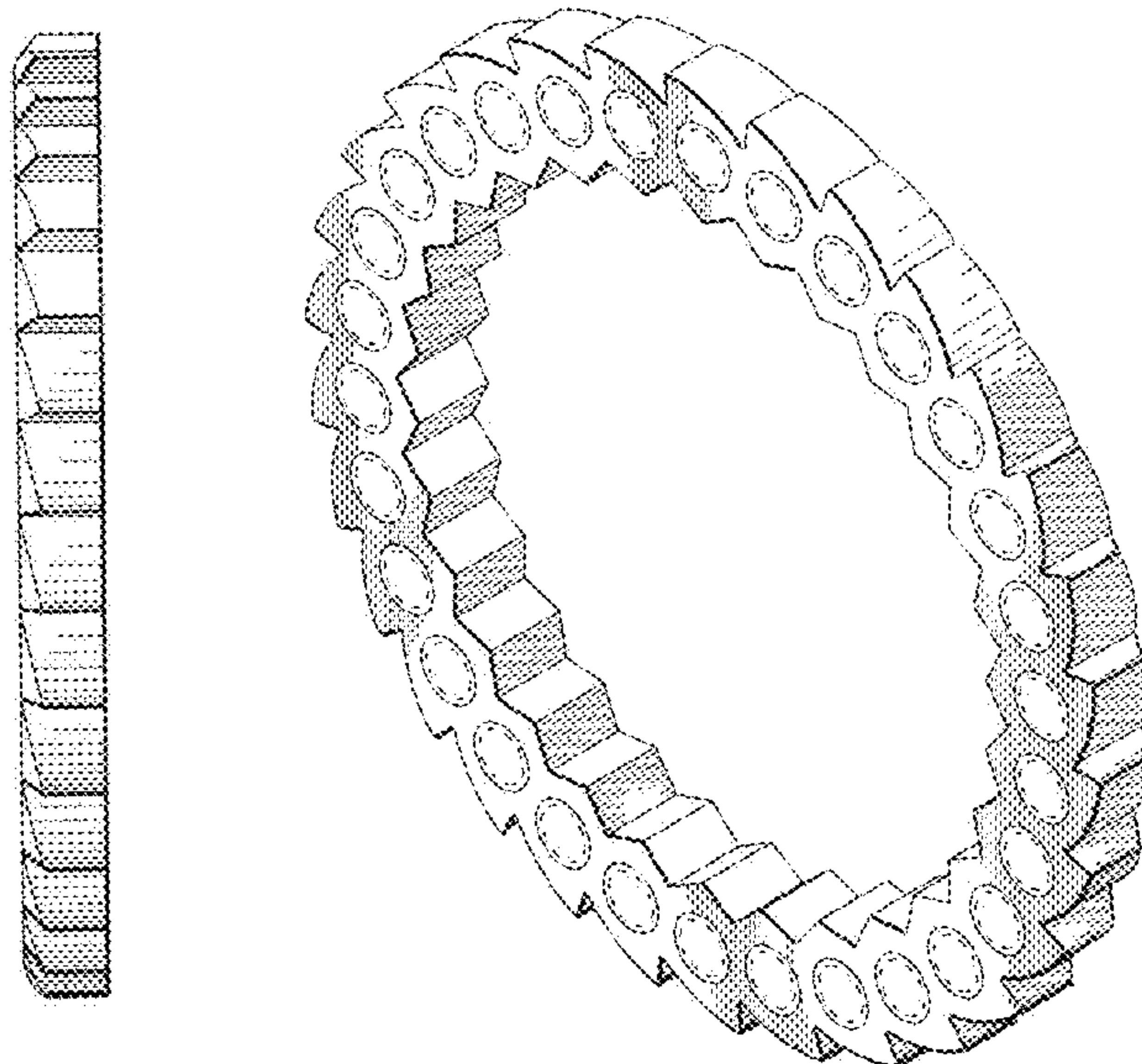
FIG. 5 is a right side view thereof,

FIG. 6 is a rear view thereof; and,

FIG. 7 is a perspective view thereof.

The broken lines shown in the drawings that define the bounds of the design form no part thereof.

1 Claim, 5 Drawing Sheets



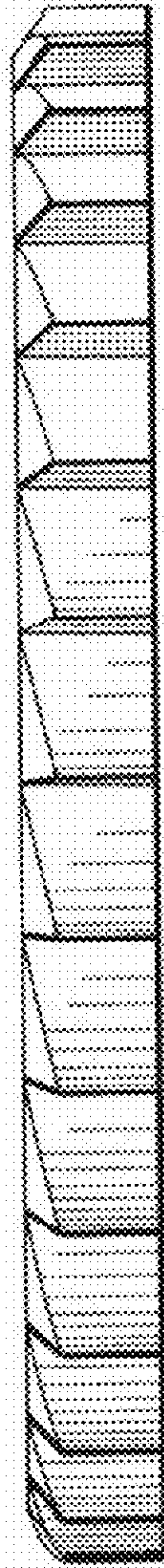


FIG. 1

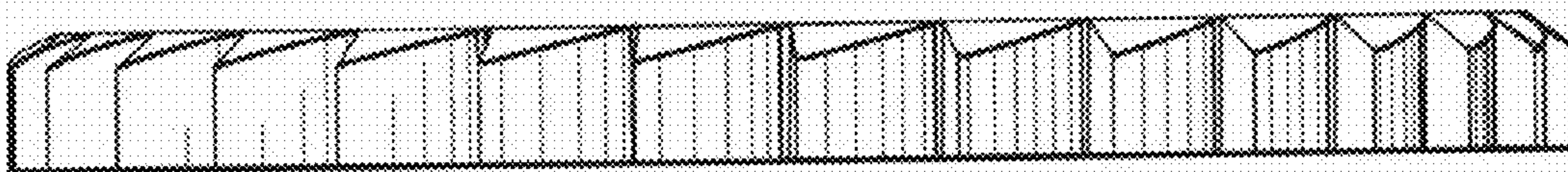


FIG. 2

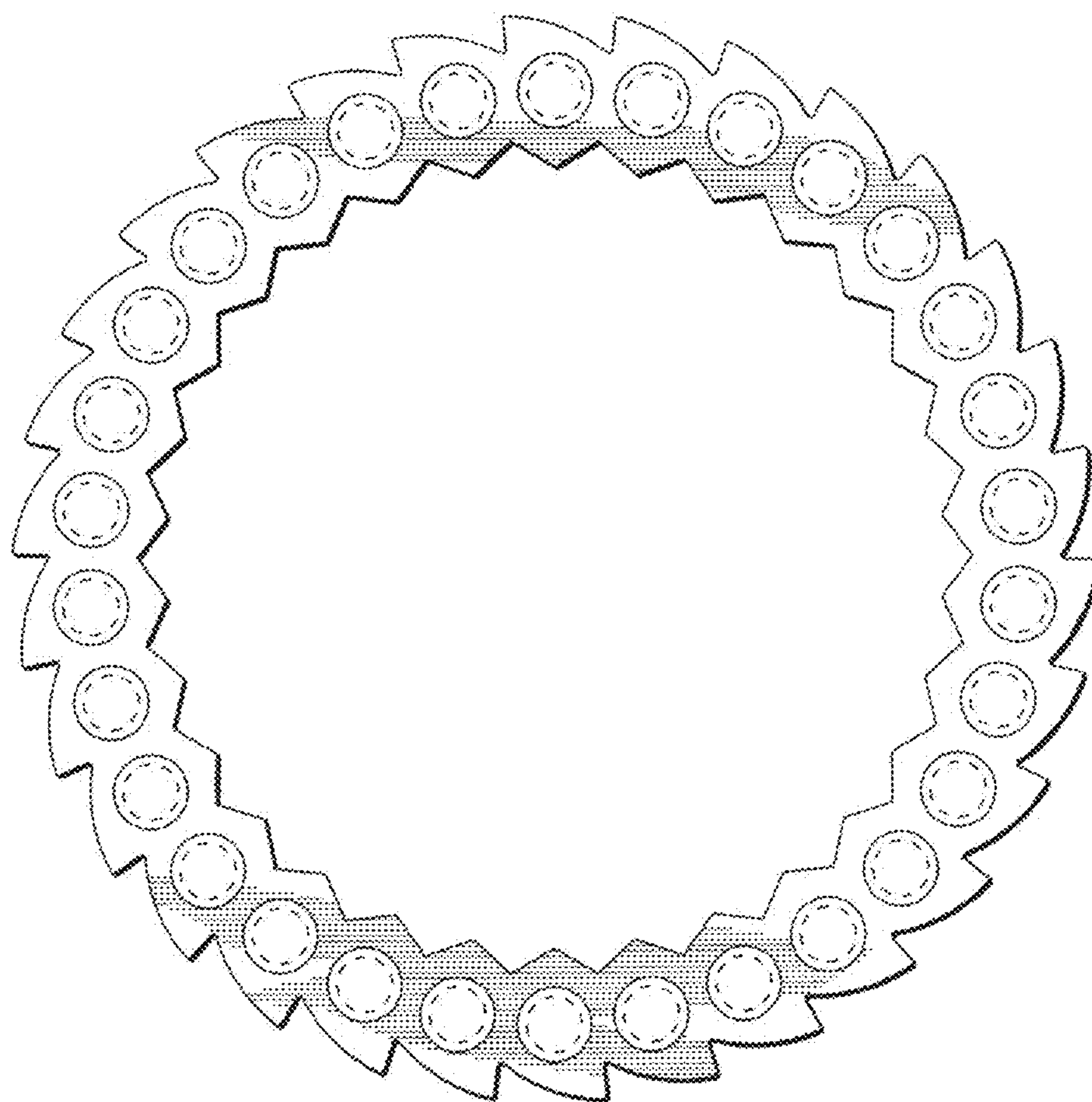


FIG. 3

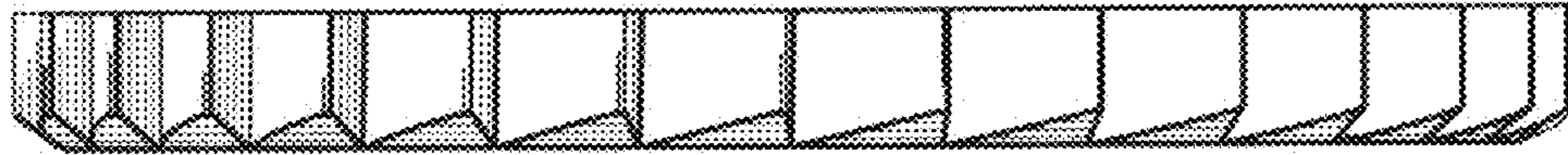


FIG. 4

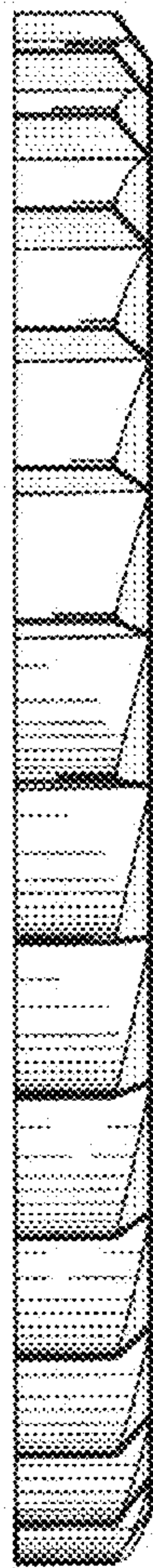


FIG. 5

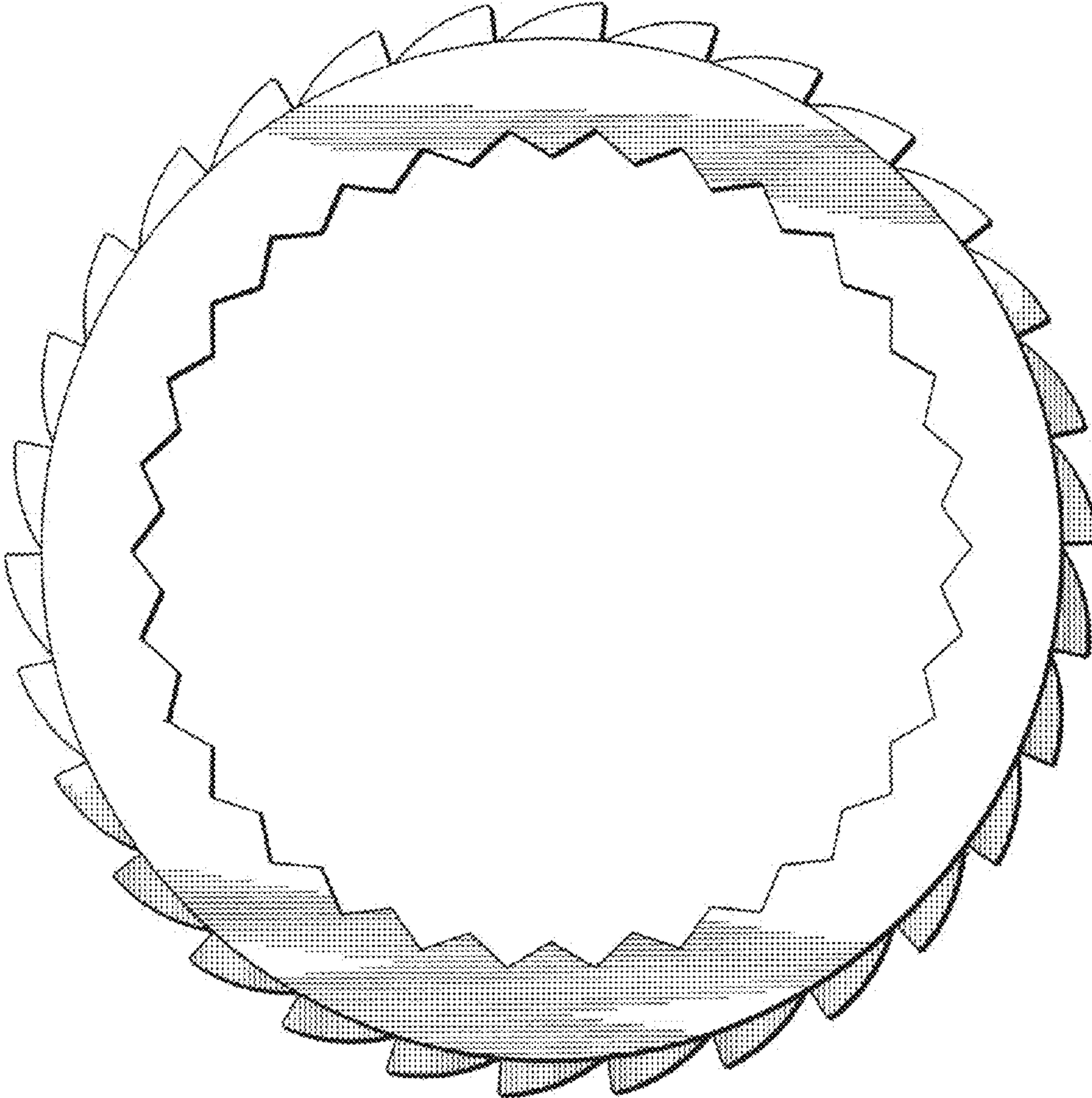


FIG. 6

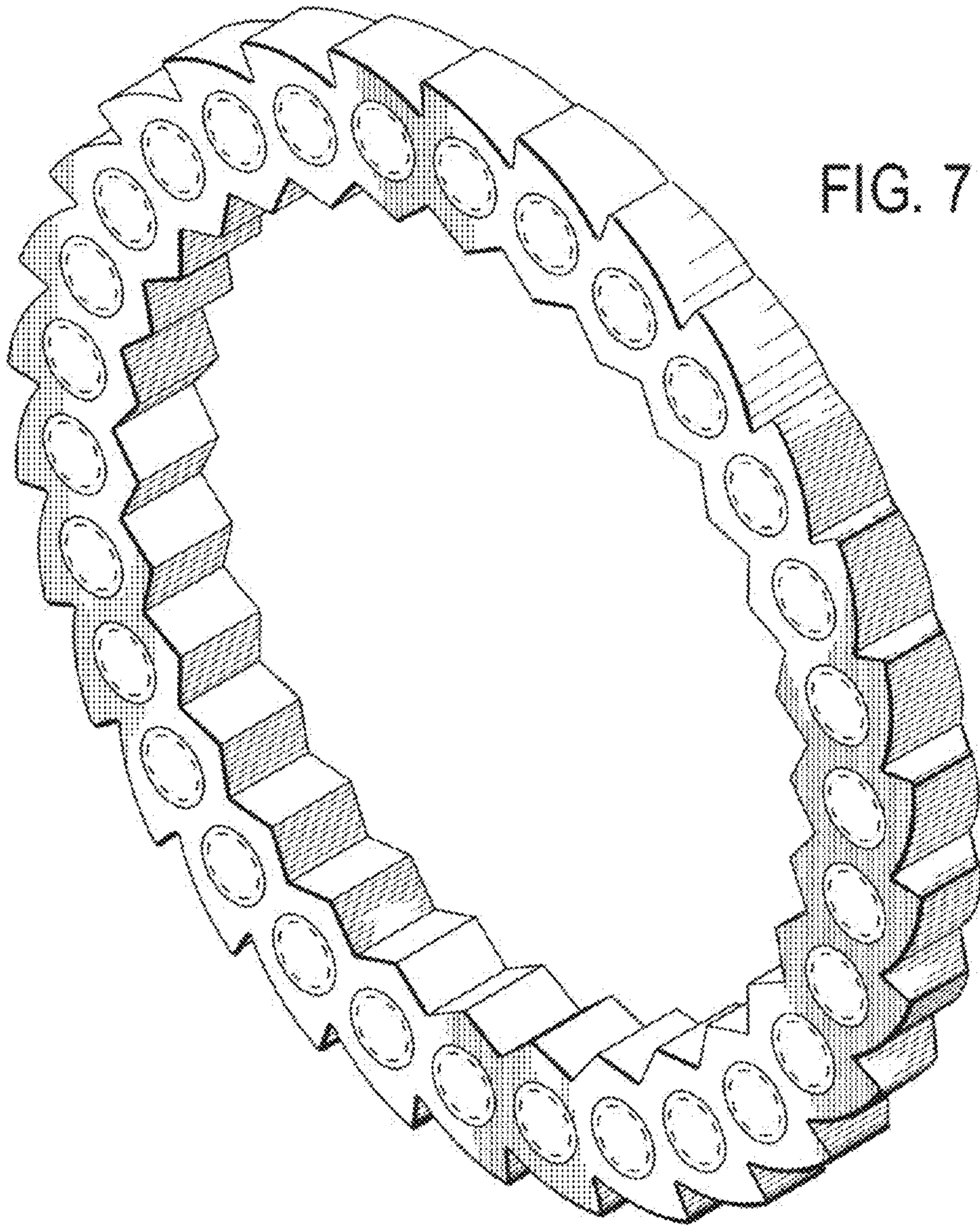


FIG. 7