



US00D646373S

(12) **United States Design Patent**
Liebson et al.

(10) **Patent No.:** **US D646,373 S**
(45) **Date of Patent:** **** *Oct. 4, 2011**

(54) **DUCT ADAPTOR RING**

(75) Inventors: **Steven Allan Liebson**, Ein Sarid (IL);
Robert Cohen, Ein Sarid (IL); **Graeme**
Anthony Liebson, Ein Sarid (IL)

(73) Assignee: **GLV International (1995) Ltd.**,
Raanana (IL)

(*) Notice: This patent is subject to a terminal dis-
claimer.

(**) Term: **14 Years**

(21) Appl. No.: **29/354,417**

(22) Filed: **Jan. 24, 2010**

(51) **LOC (9) Cl.** **23-04**

(52) **U.S. Cl.** **D23/393**

(58) **Field of Classification Search** D23/385-395,
D23/397, 370-373, 365, 351, 354, 399-403,
D23/269, 262, 266; 454/309, 275-277, 284,
454/287-291; 55/502, 506; D32/31; 264/41
See application file for complete search history.

(56) **References Cited**

U.S. PATENT DOCUMENTS

3,495,606 A * 2/1970 Phillips D23/390
3,983,194 A * 9/1976 Richardson et al. 264/41

D375,558 S * 11/1996 Williams D23/393
D446,298 S * 8/2001 Thurman D23/393
D466,652 S * 12/2002 Thurman D23/393
D504,503 S * 4/2005 Thurman D23/393
D521,147 S * 5/2006 Sandman et al. D23/393
D541,405 S * 4/2007 Snyder D23/393
D589,126 S * 3/2009 Concannon D23/262
D601,180 S * 9/2009 Takeda D23/371
D605,748 S * 12/2009 Gammack et al. D23/370
D612,925 S * 3/2010 Kameyama et al. D23/393
D614,280 S * 4/2010 Dyson et al. D23/370

* cited by examiner

Primary Examiner — T. Chase Nelson

Assistant Examiner — David G Muller

(74) *Attorney, Agent, or Firm* — Law Offices of Edward
Langer

(57) **CLAIM**

The ornamental design for a duct adaptor ring, as shown and
described.

DESCRIPTION

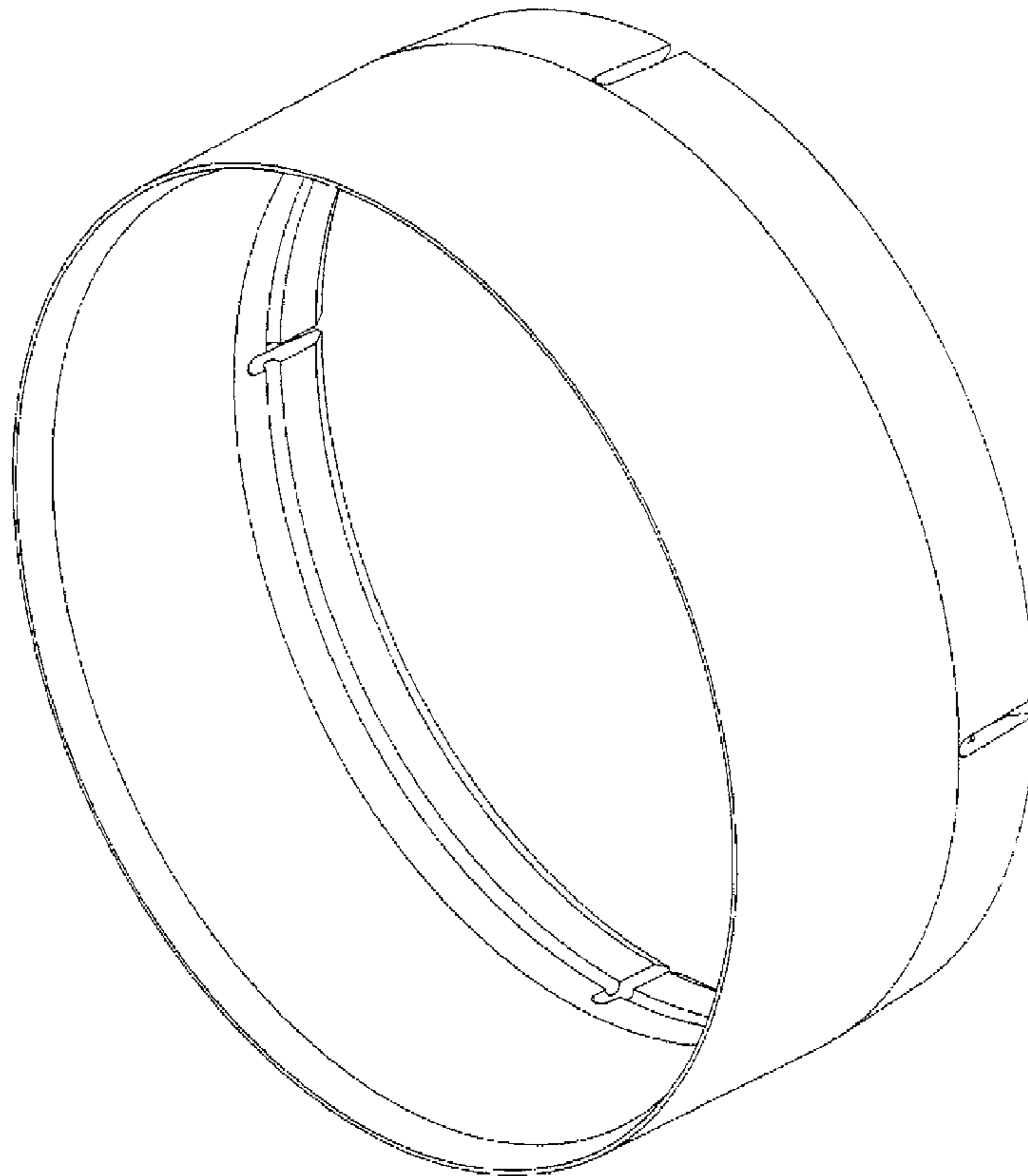
FIG. 1 is a bottom perspective view of a duct adaptor ring
showing our new design;

FIG. 2 is a bottom view of the design of FIG. 1;

FIG. 3 is a side view of the design of FIG. 1; and,

FIG. 4 is a top view of the design of FIG. 1.

1 Claim, 4 Drawing Sheets



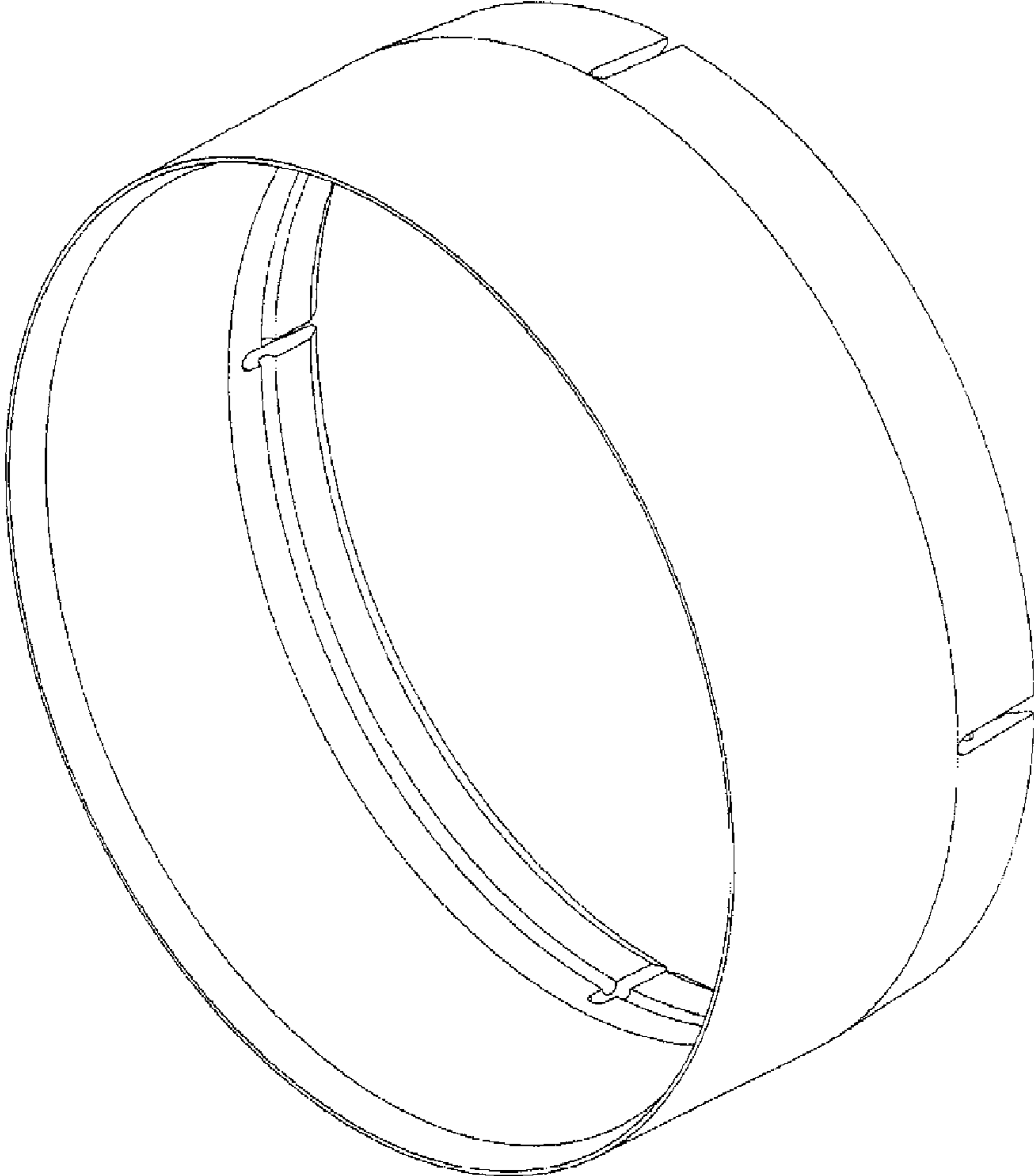


FIG. 1

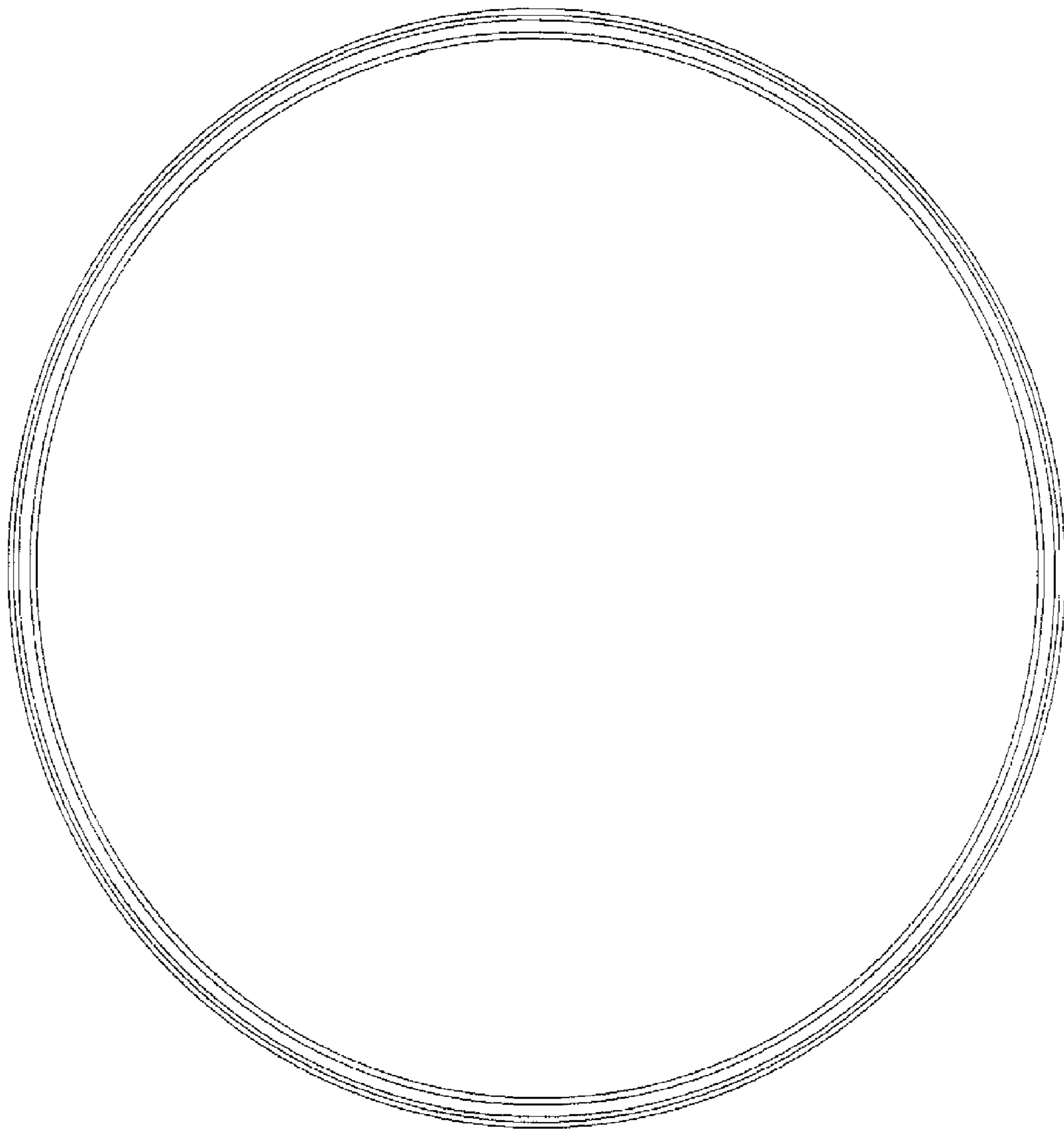


FIG. 2

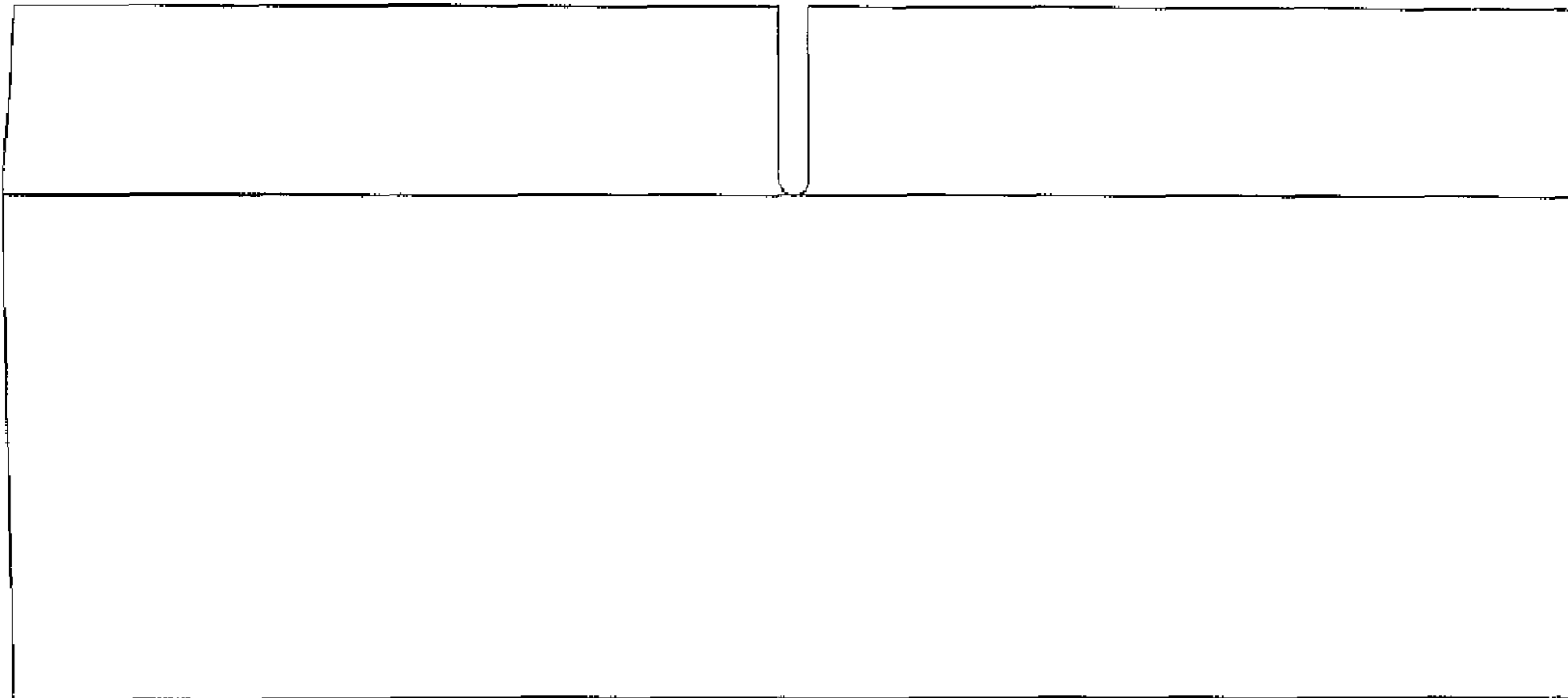


FIG. 3

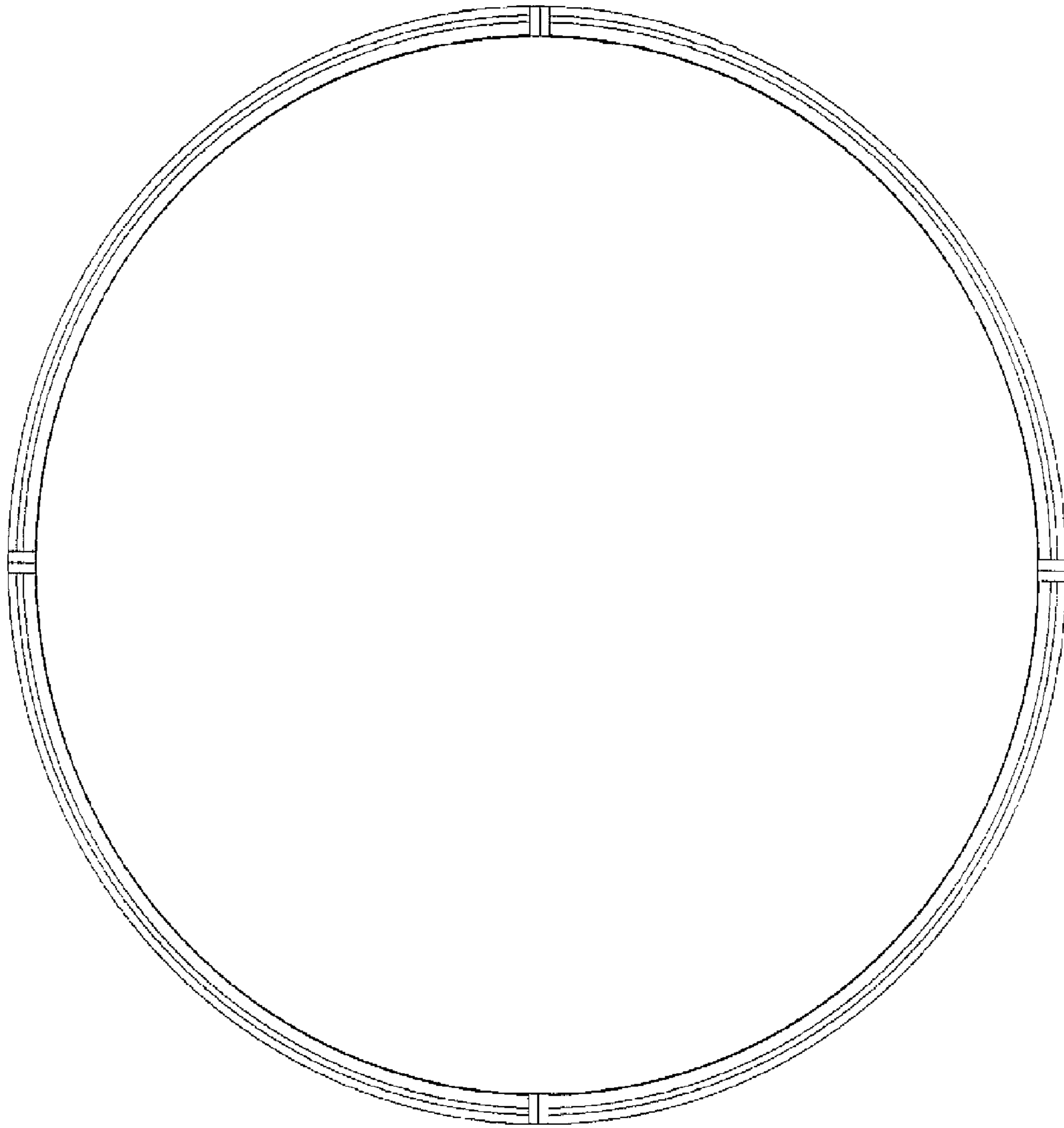


FIG. 4