



US00D646372S

(12) **United States Design Patent**  
**Love et al.**

(10) **Patent No.:** **US D646,372 S**  
(45) **Date of Patent:** **\*\* Oct. 4, 2011**

(54) **COMBINED TWIN CEILING FAN AND LIGHT**

(75) Inventors: **Brian Keith Love**, Davie, FL (US);  
**Margaret Hollis**, Smyrna, GA (US)

(73) Assignee: **Chien Luen Industries Co., Ltd., Inc.**,  
Oakland Park, FL (US)

(\*\*) Term: **14 Years**

(21) Appl. No.: **29/315,983**

(22) Filed: **Aug. 13, 2009**

**Related U.S. Application Data**

(62) Division of application No. 29/323,228, filed on Aug.  
21, 2008, now Pat. No. Des. 599,458.

(51) **LOC (9) Cl.** ..... **23-04**

(52) **U.S. Cl.** ..... **D23/377**

(58) **Field of Classification Search** ..... D23/377,  
D23/379, 385, 411, 413; 416/5; D26/59,  
D26/81-86, 71, 72; 362/96

See application file for complete search history.

(56) **References Cited**

**U.S. PATENT DOCUMENTS**

D307,320 S	4/1990	Shin-Chin
D322,669 S	12/1991	Yamamoto et al.
D323,885 S	2/1992	Wortham
D329,284 S	9/1992	Patton
D364,224 S	11/1995	Wang
D371,838 S	7/1996	Davis, Jr. et al.
D378,404 S	3/1997	Jasper-Fayer
D384,738 S	10/1997	Jane
D402,026 S	12/1998	Chuang et al.
D408,518 S	4/1999	Liu
D411,295 S	6/1999	Evans
D412,571 S	8/1999	Lee
D414,856 S	10/1999	Zuege
D416,617 S	11/1999	Jane et al.
D421,799 S	3/2000	Zuege
D422,072 S	3/2000	Balateri
D423,093 S	4/2000	Fok
D426,296 S	6/2000	Balateri

D426,631 S	6/2000	Thakur
D426,879 S	6/2000	Gajewski
D443,352 S	6/2001	Lantz
D444,552 S	7/2001	Wang
D451,997 S	12/2001	Schwartz
D454,636 S	3/2002	Lantz
D459,467 S	6/2002	Wilson, Jr.
D462,756 S	9/2002	Liu
D464,723 S	10/2002	Fok
D469,950 S	2/2003	Scalise et al.

(Continued)

*Primary Examiner* — Lisa Lichtenstein

(74) *Attorney, Agent, or Firm* — Brian S. Steinberger; Law  
Offices of Brian S. Steinberger, P.A.

(57) **CLAIM**

The ornamental design for a combined twin ceiling fan and  
light, as shown and described.

**DESCRIPTION**

FIG. 1 is a lower front side perspective view of an embodi-  
ment design of the combined twin ceiling fan and light.

FIG. 2 is an upper front side perspective view of the an  
embodiment design of FIG. 1.

FIG. 3 is a front side view of the an embodiment design of  
FIG. 1.

FIG. 4 is a rear side view of the an embodiment design of FIG.  
1.

FIG. 5 is an enlarged right side view of the an embodiment  
design of FIG. 1.

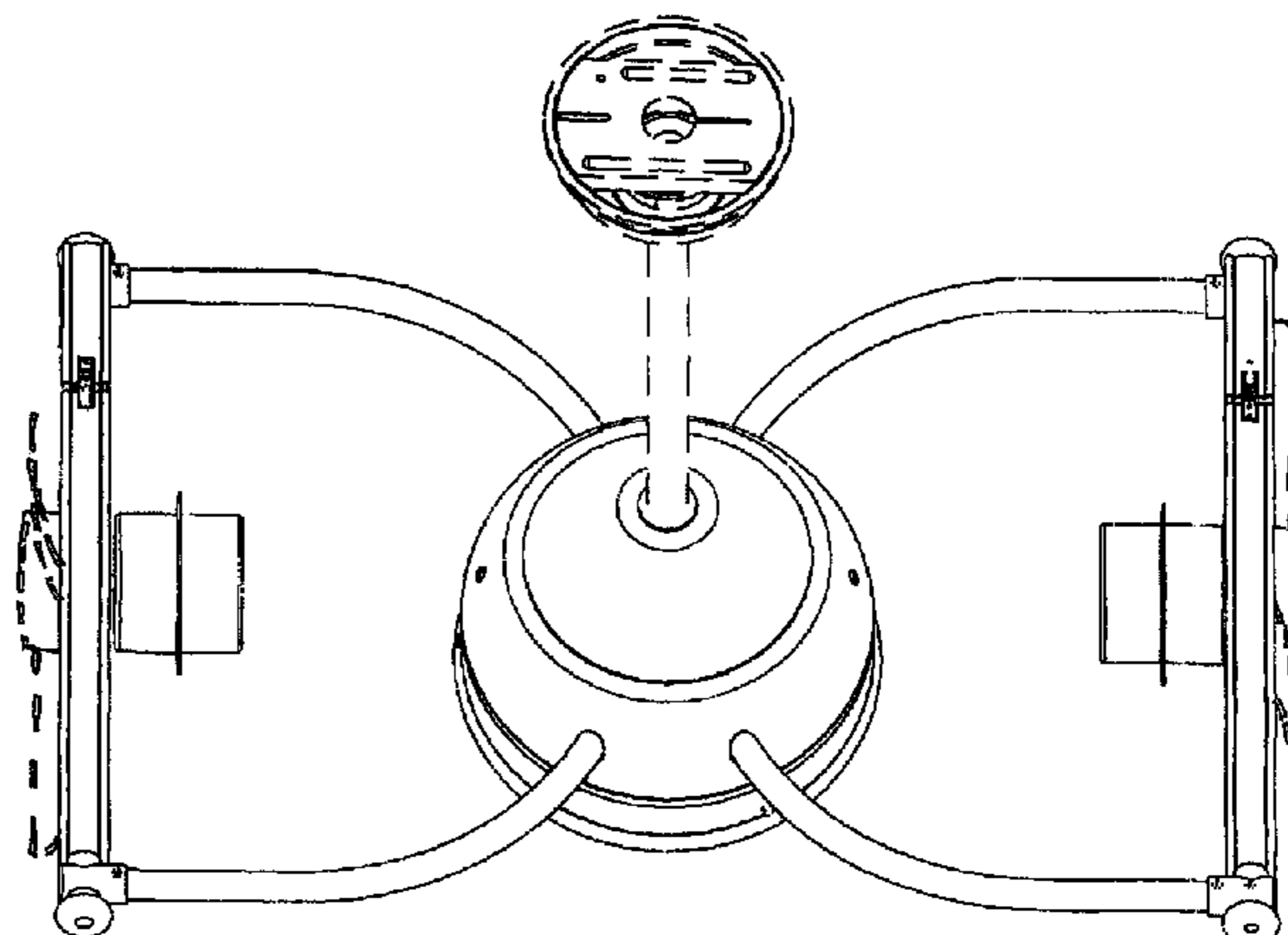
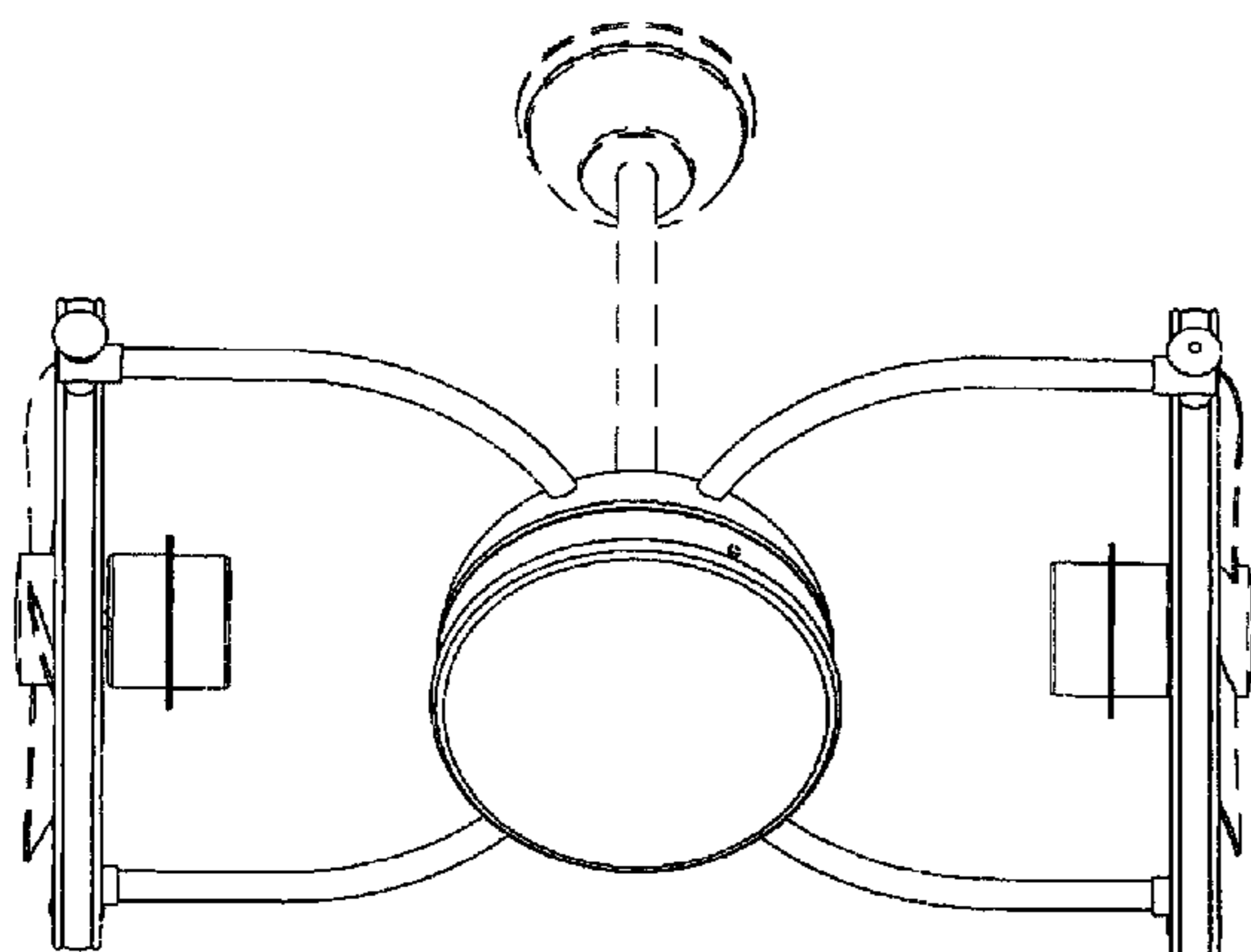
FIG. 6 is an enlarged left side view of the an embodiment  
design of FIG. 1.

FIG. 7 is an enlarged top view of the an embodiment design of  
FIG. 1; and,

FIG. 8 is an enlarged bottom view of the an embodiment  
design of FIG. 1.

The broken line showing of the ceiling mount cap, fan blades,  
hub and extension rod is included for the purpose of illustrat-  
ing environmental structure and forms no part of the claimed  
design.

**1 Claim, 8 Drawing Sheets**



# US D646,372 S

Page 2

---

## U.S. PATENT DOCUMENTS

D479,874 S	9/2003	Shaprio	D490,146 S	5/2004	Gajewaki
D480,466 S	10/2003	Bucher et al.	D495,817 S	9/2004	Bucher et al.
D480,471 S	10/2003	Hsieh	D496,119 S	9/2004	Bucher et al.
D482,778 S	11/2003	Shapiro	D497,022 S	10/2004	Bucher et al.
D483,466 S	12/2003	Shapiro	D500,160 S	12/2004	Bucher et al.
D484,234 S	12/2003	Wilson, Jr.	D500,161 S	12/2004	Bucher et al.
D486,216 S	2/2004	Wilson, Jr.	D500,876 S	1/2005	Bucher et al.
D486,217 S	2/2004	Shapiro	D523,137 S	6/2006	Wang
D486,218 S	2/2004	Shapiro	D567,350 S	4/2008	Hidalgo et al.
D486,222 S	2/2004	Shapiro	D599,458 S *	9/2009	Love et al. .... D23/377
D488,551 S	4/2004	Shapiro			

\* cited by examiner

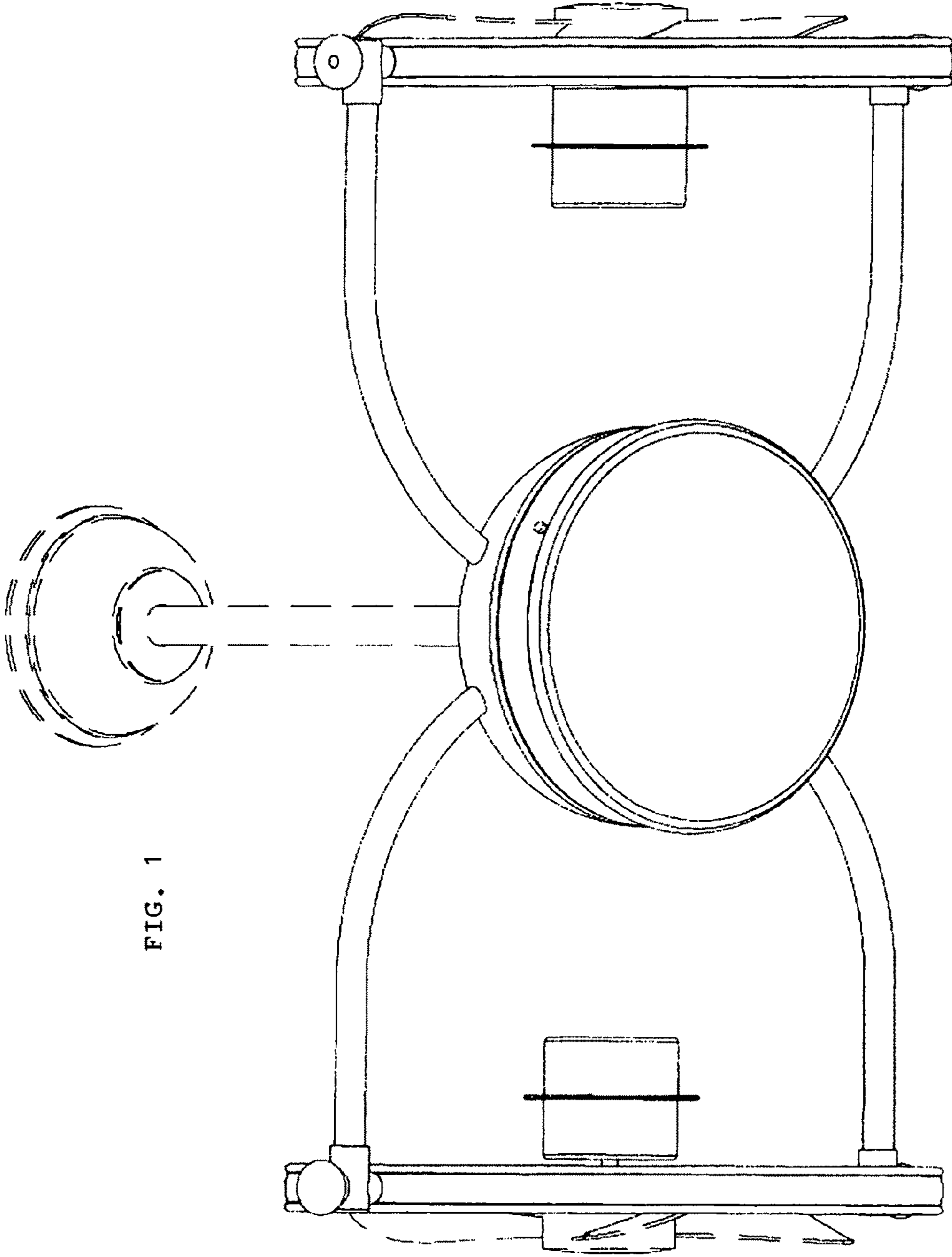


FIG. 1

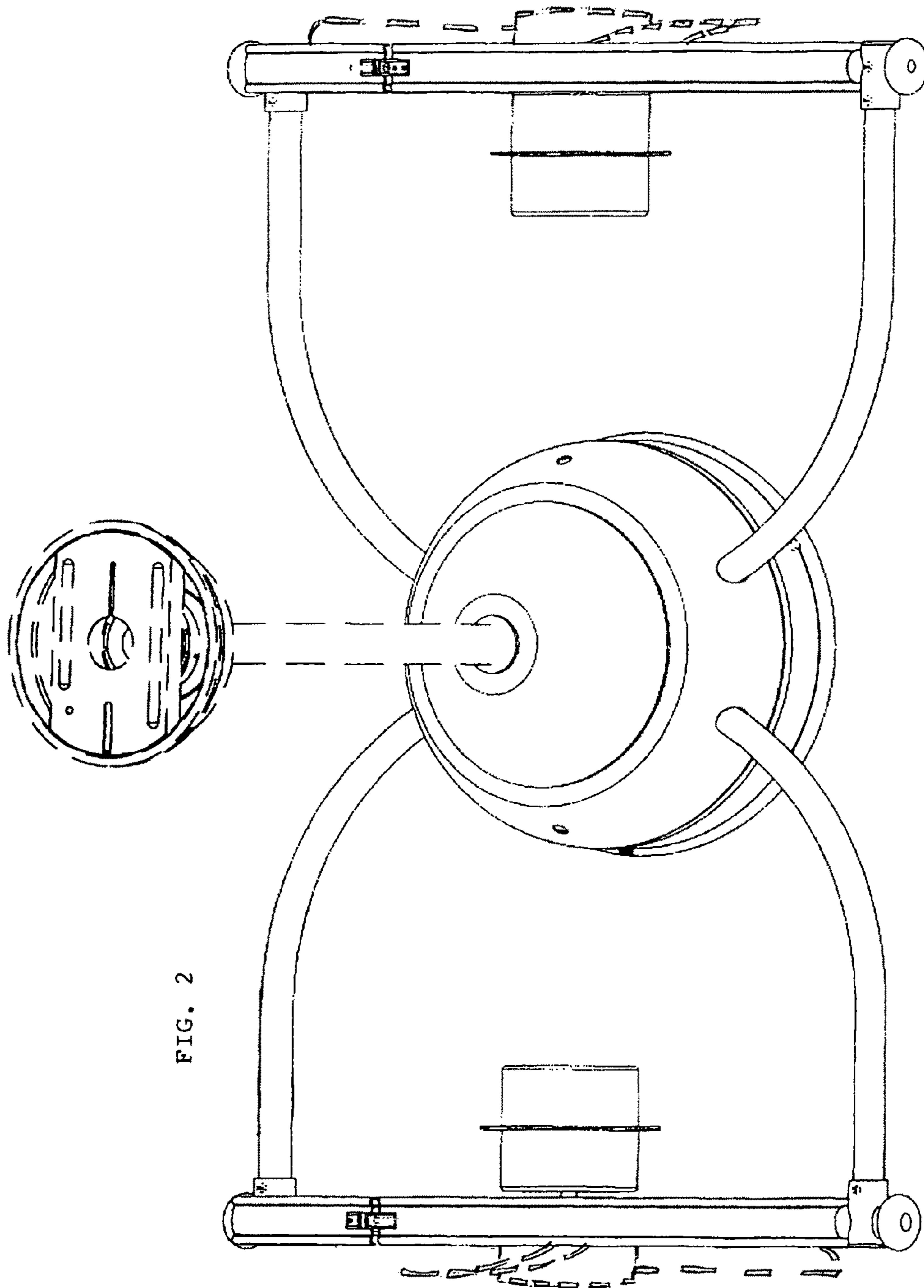


FIG. 2

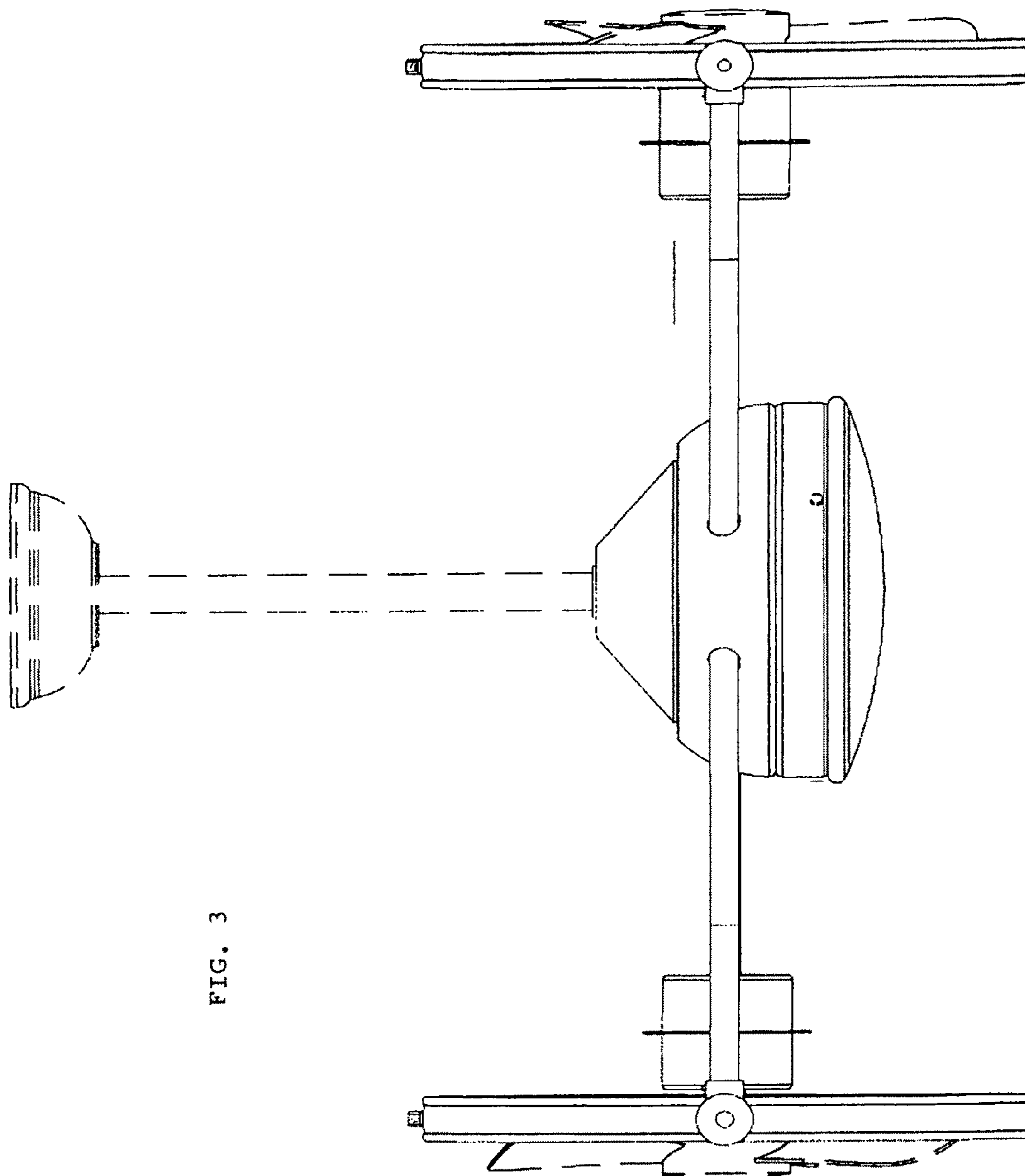


FIG. 3



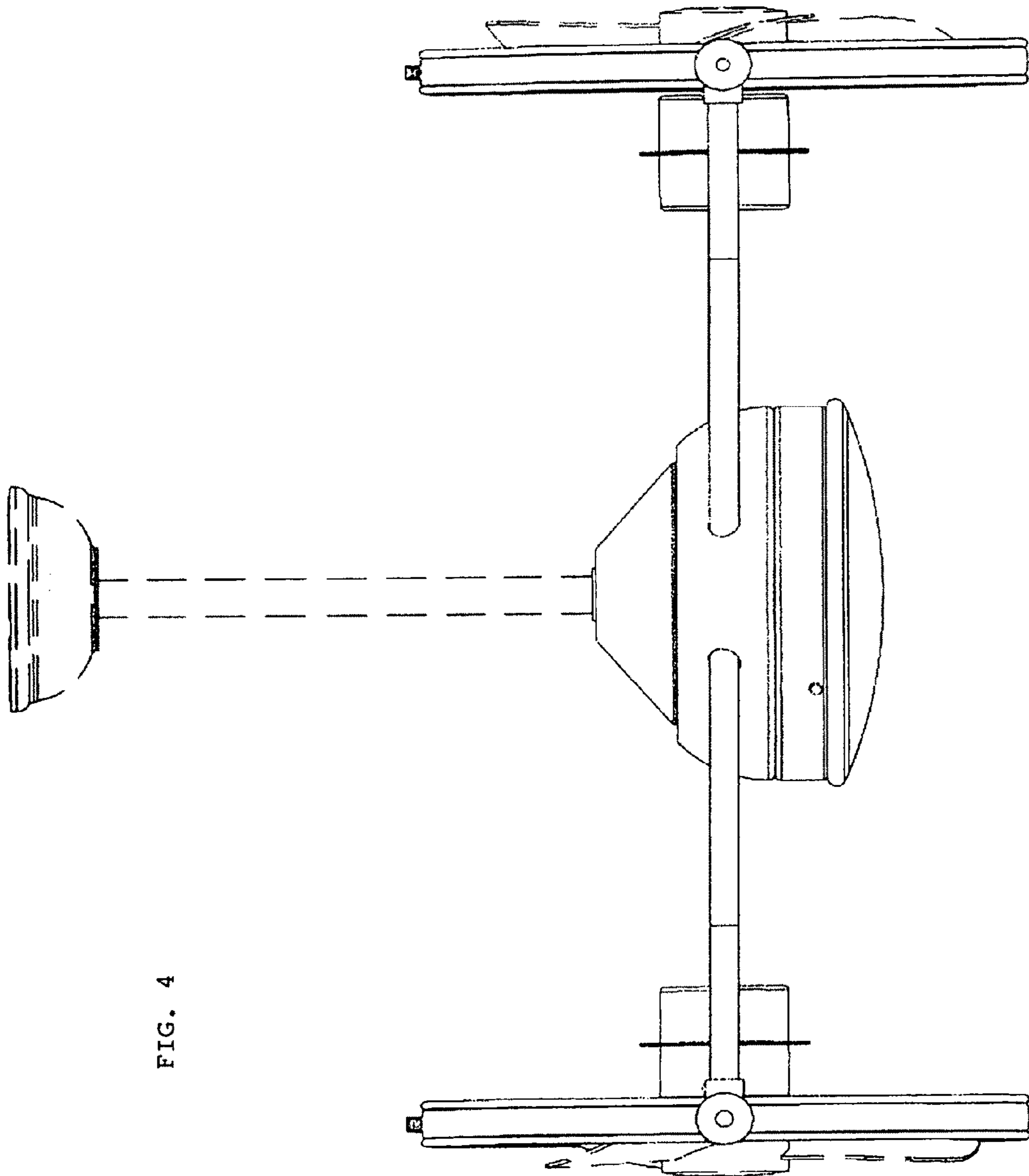


FIG. 4

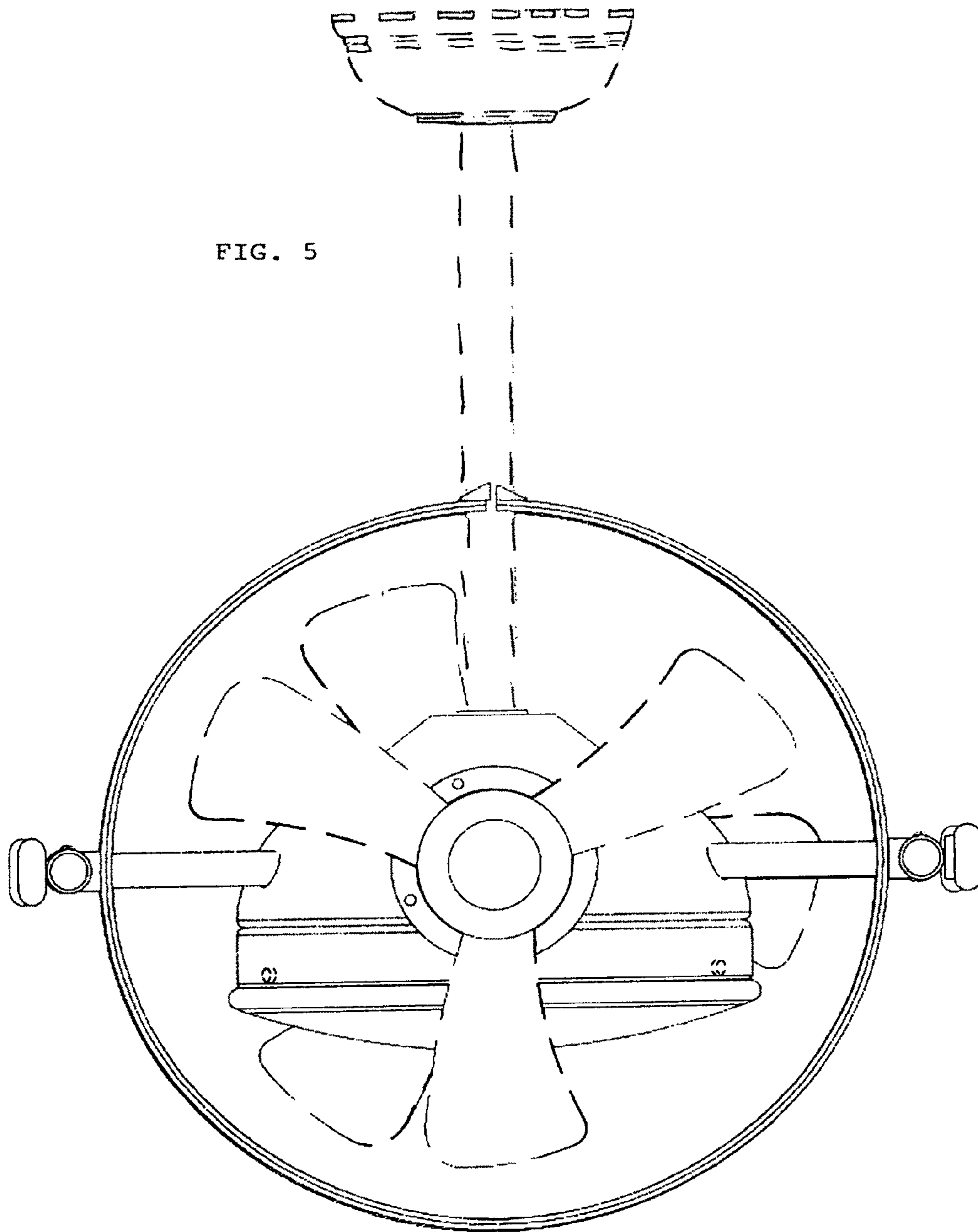
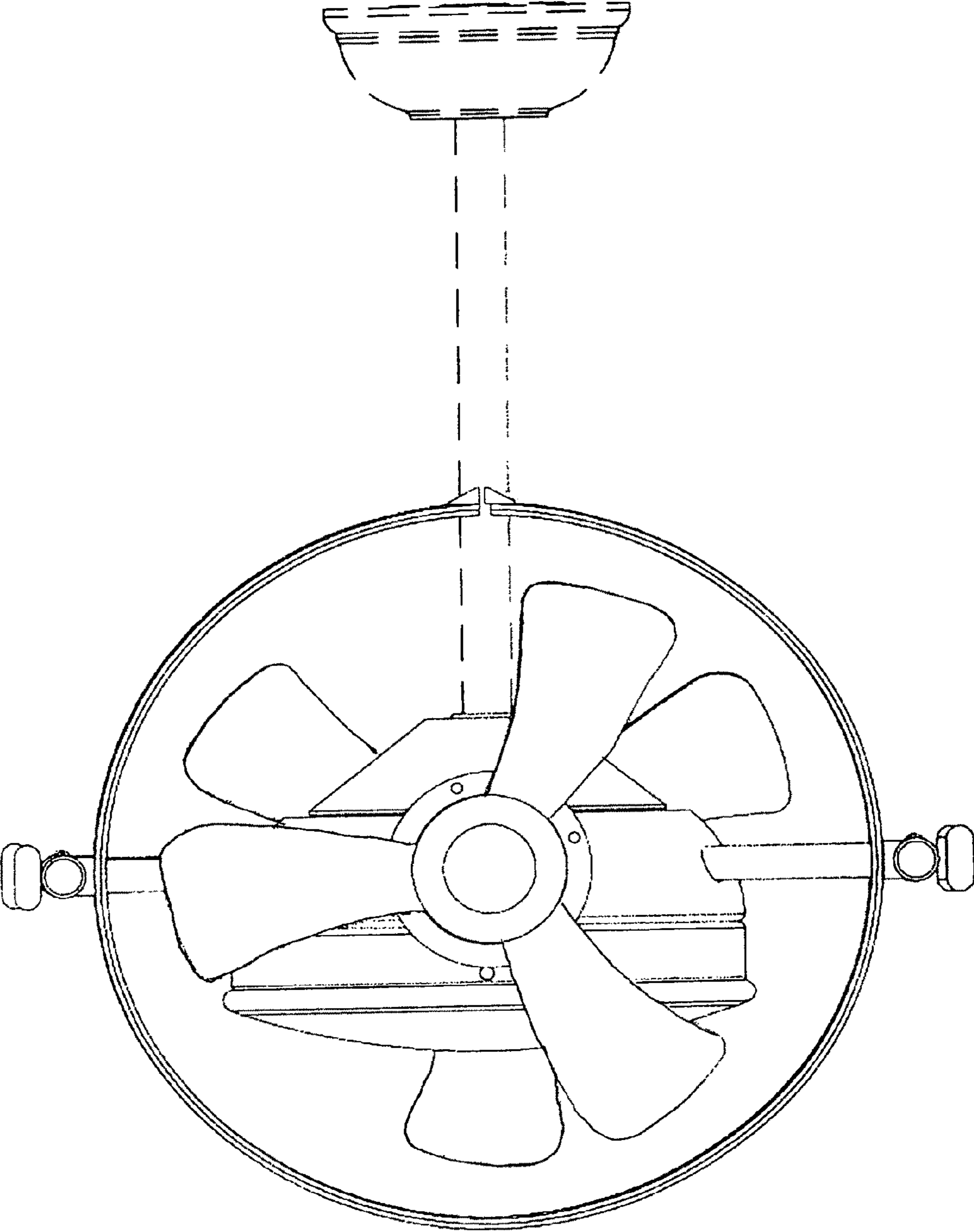


FIG. 6





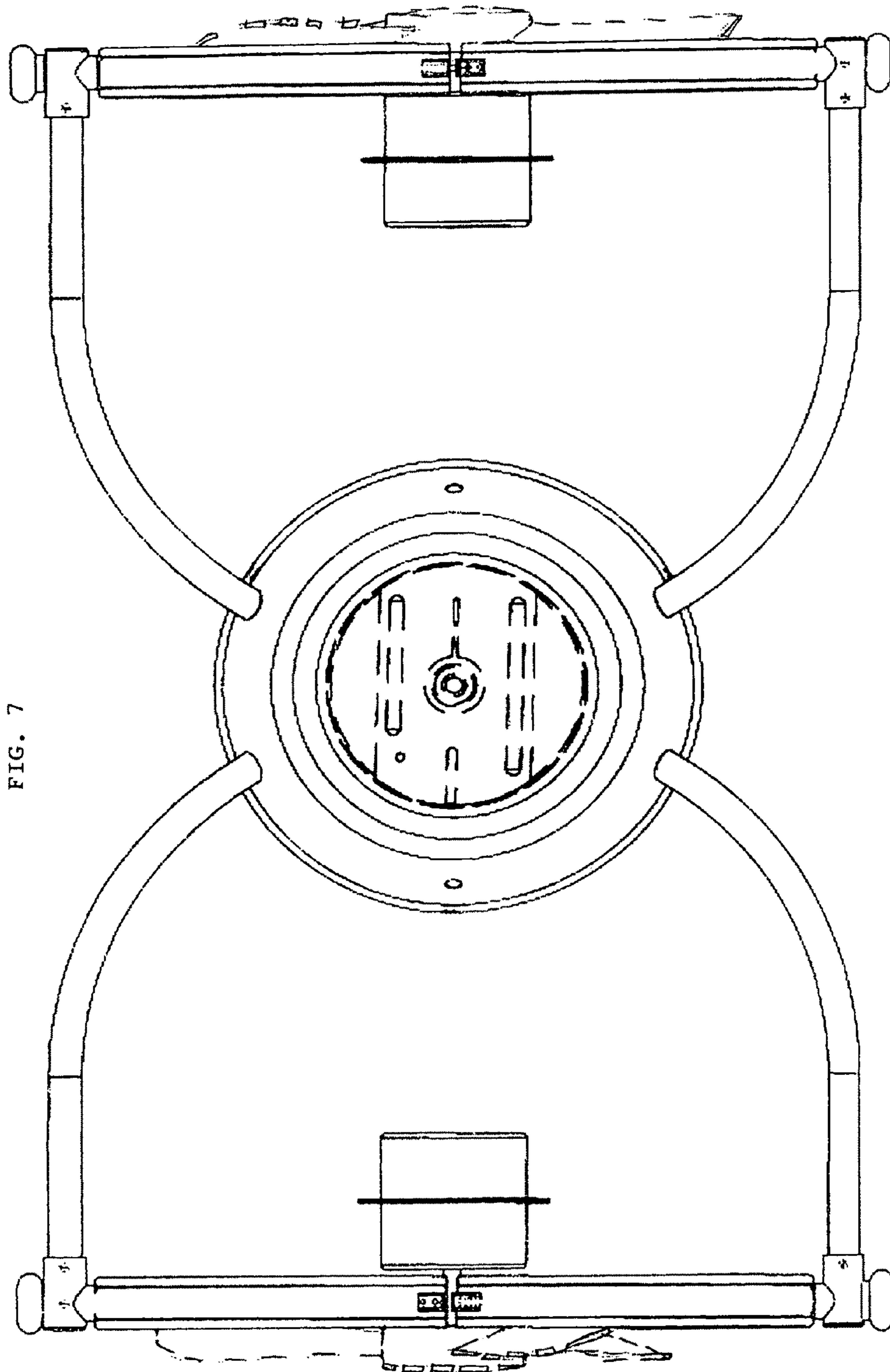


FIG. 7

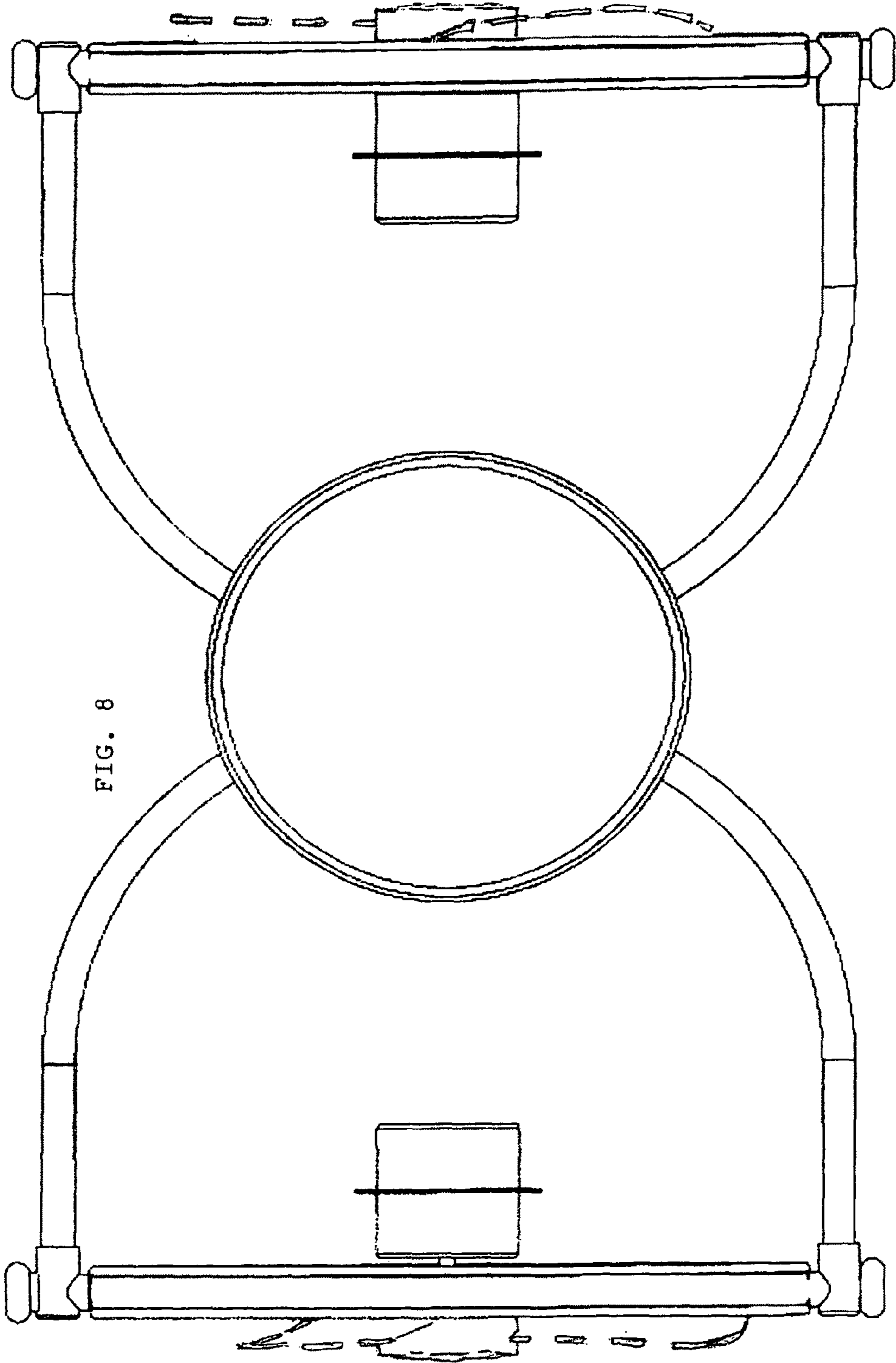


FIG. 8