



US00D646370S

(12) **United States Design Patent**
Kuo

(10) **Patent No.:** **US D646,370 S**

(45) **Date of Patent:** **** Oct. 4, 2011**

(54) **VEHICULAR AROMA DIFFUSER**

(76) Inventor: **Stanley Kuo**, Taipei (TW)

(**) Term: **14 Years**

(21) Appl. No.: **29/350,002**

(22) Filed: **Nov. 10, 2009**

(51) **LOC (9) Cl.** **28-99**

(52) **U.S. Cl.** **D23/366**

(58) **Field of Classification Search** D23/355-369;
D28/5, 6; 261/DIG. 17, DIG. 42, DIG. 65,
261/DIG. 88, DIG. 89; 392/386, 390, 391,
392/392, 393, 394, 395; 239/34, 35, 44-47,
239/50, 53, 56, 60, 145, 326

See application file for complete search history.

(56) **References Cited**

U.S. PATENT DOCUMENTS

4,968,456	A	*	11/1990	Muderlak et al.	422/122
D314,044	S	*	1/1991	Montanari	D23/366
D315,789	S	*	3/1991	Muderlak	D23/366
5,394,506	A	*	2/1995	Stein et al.	392/395
D390,939	S	*	2/1998	Colandro	D23/366
D418,213	S	*	12/1999	Colandro	D23/366
D418,214	S	*	12/1999	Cloutier	D23/366
D432,638	S	*	10/2000	Smith	D23/367

D442,683	S	*	5/2001	Wu	D23/366
D466,994	S	*	12/2002	Yuen	D23/364
D482,768	S	*	11/2003	Chen	D23/366
D485,342	S	*	1/2004	Collazo	D23/366
D486,213	S	*	2/2004	Novak	D23/366
D532,892	S	*	11/2006	Koon	D23/366
D557,396	S	*	12/2007	Cheng	D23/364
D575,383	S	*	8/2008	Dalal	D23/366
D630,719	S	*	1/2011	Wu	D23/366

* cited by examiner

Primary Examiner — Sandra Snapp

(74) *Attorney, Agent, or Firm* — WPAT, PC; Justin King

(57) **CLAIM**

The ornamental design for a vehicular aroma diffuser, as shown and described.

DESCRIPTION

FIG. 1 is a perspective view of a vehicular aroma diffuser showing this new design;

FIG. 2 is a front view of a vehicular aroma diffuser;

FIG. 3 is a rear view of a vehicular aroma diffuser;

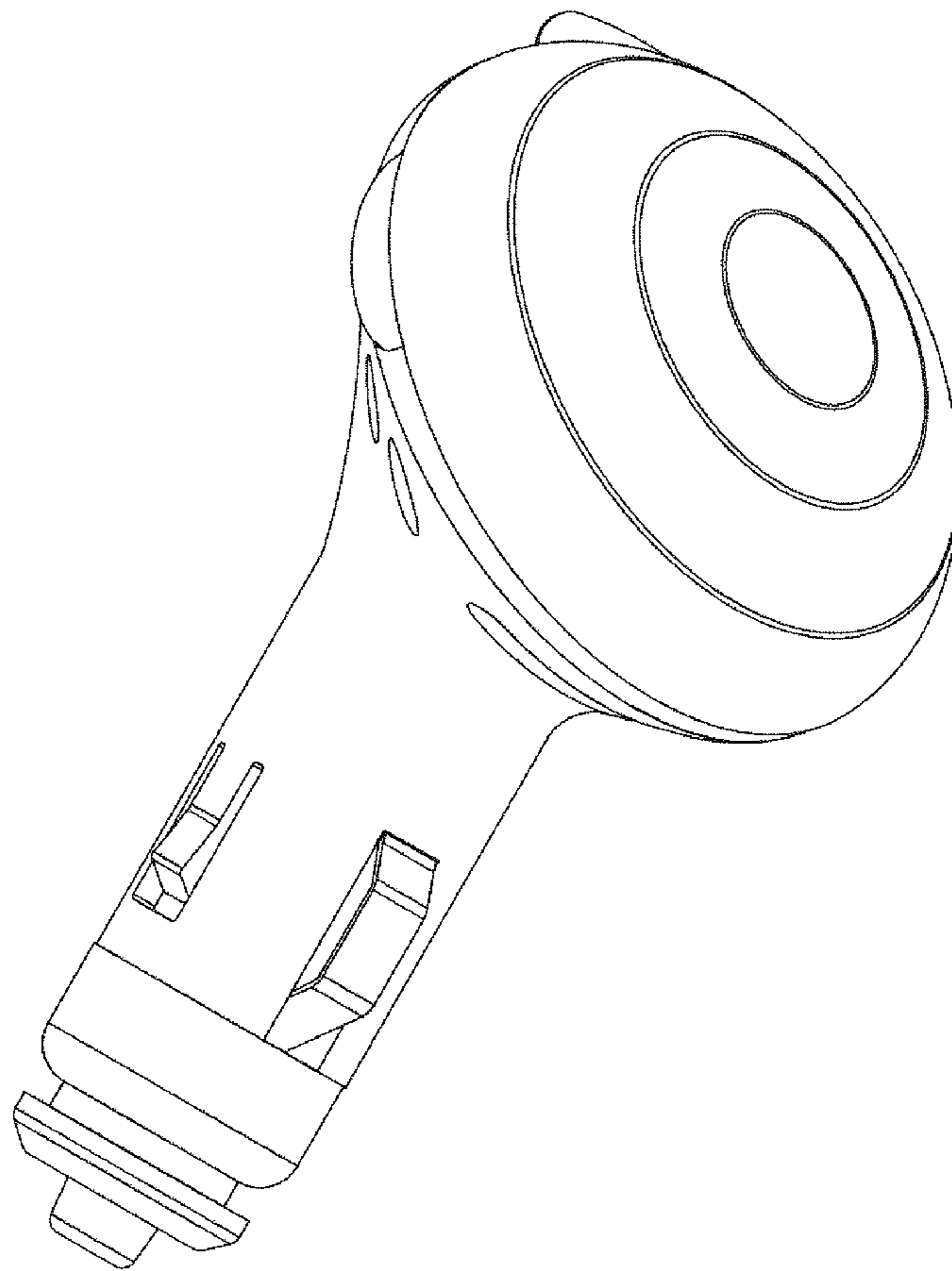
FIG. 4 is a left enlarged view of a vehicular aroma diffuser;

FIG. 5 is a right enlarged view of a vehicular aroma diffuser;

FIG. 6 is a top plane view of a vehicular aroma diffuser; and,

FIG. 7 is a bottom plane view of a vehicular aroma diffuser.

1 Claim, 4 Drawing Sheets



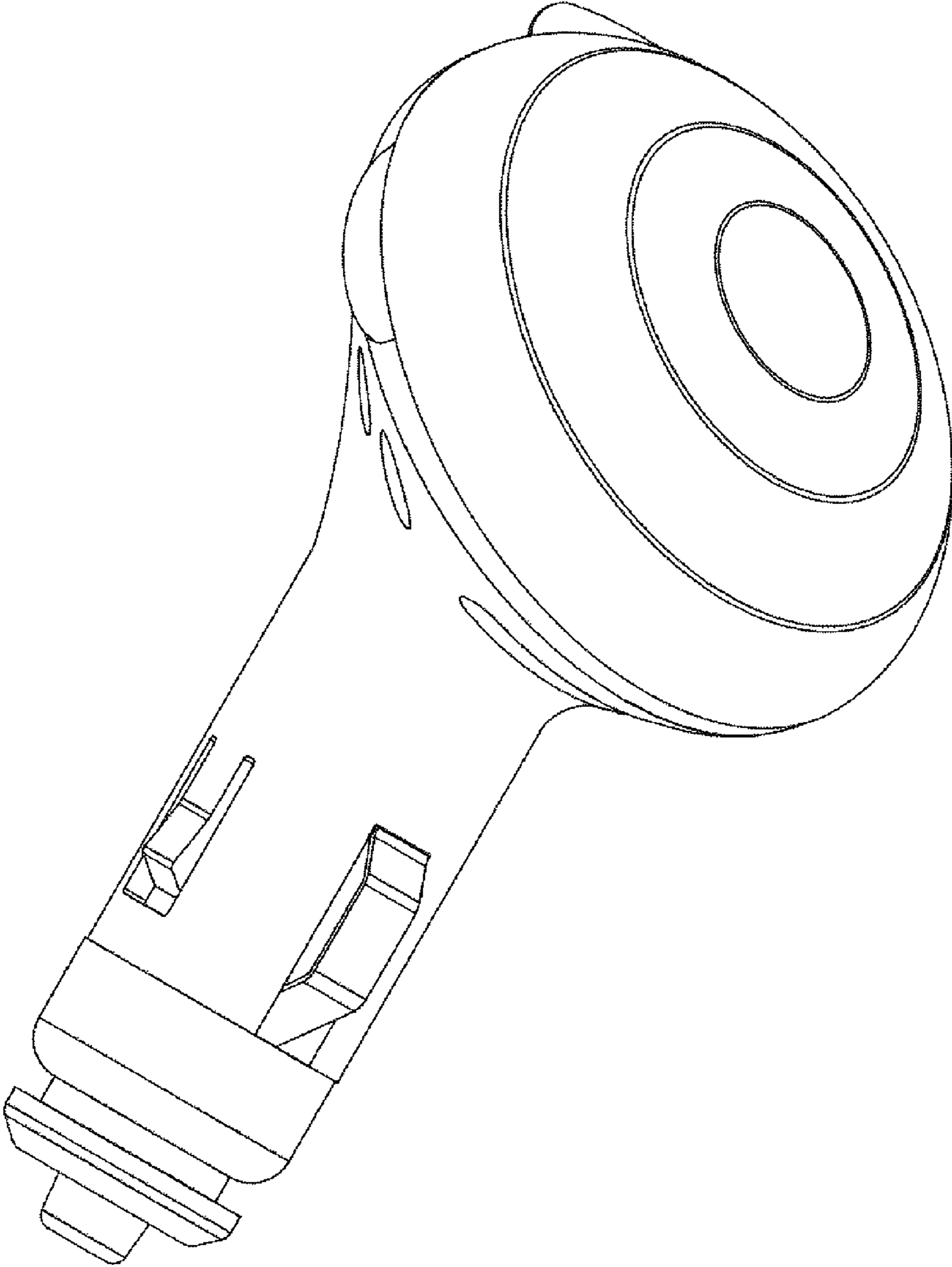


FIG. 1

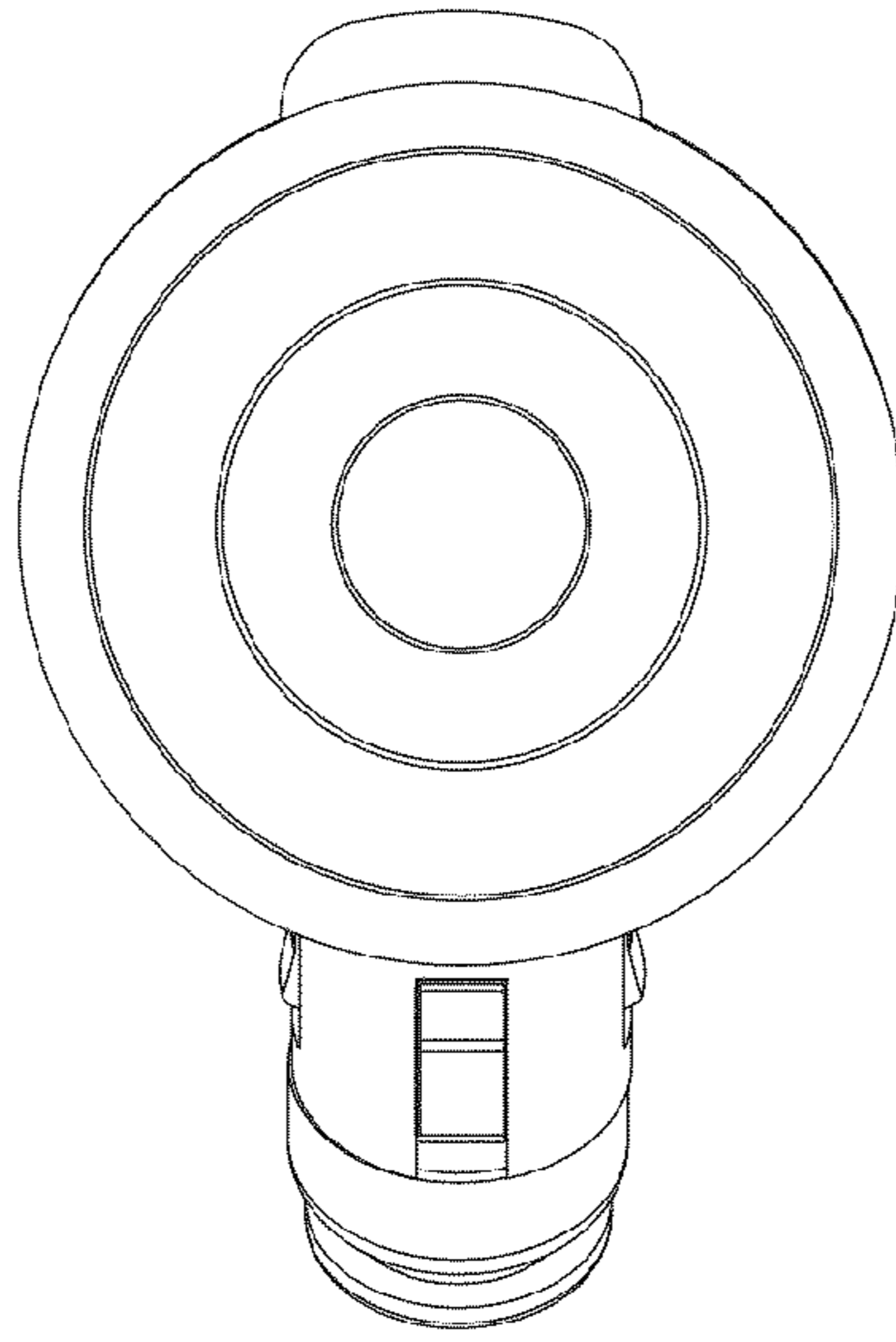


FIG.2

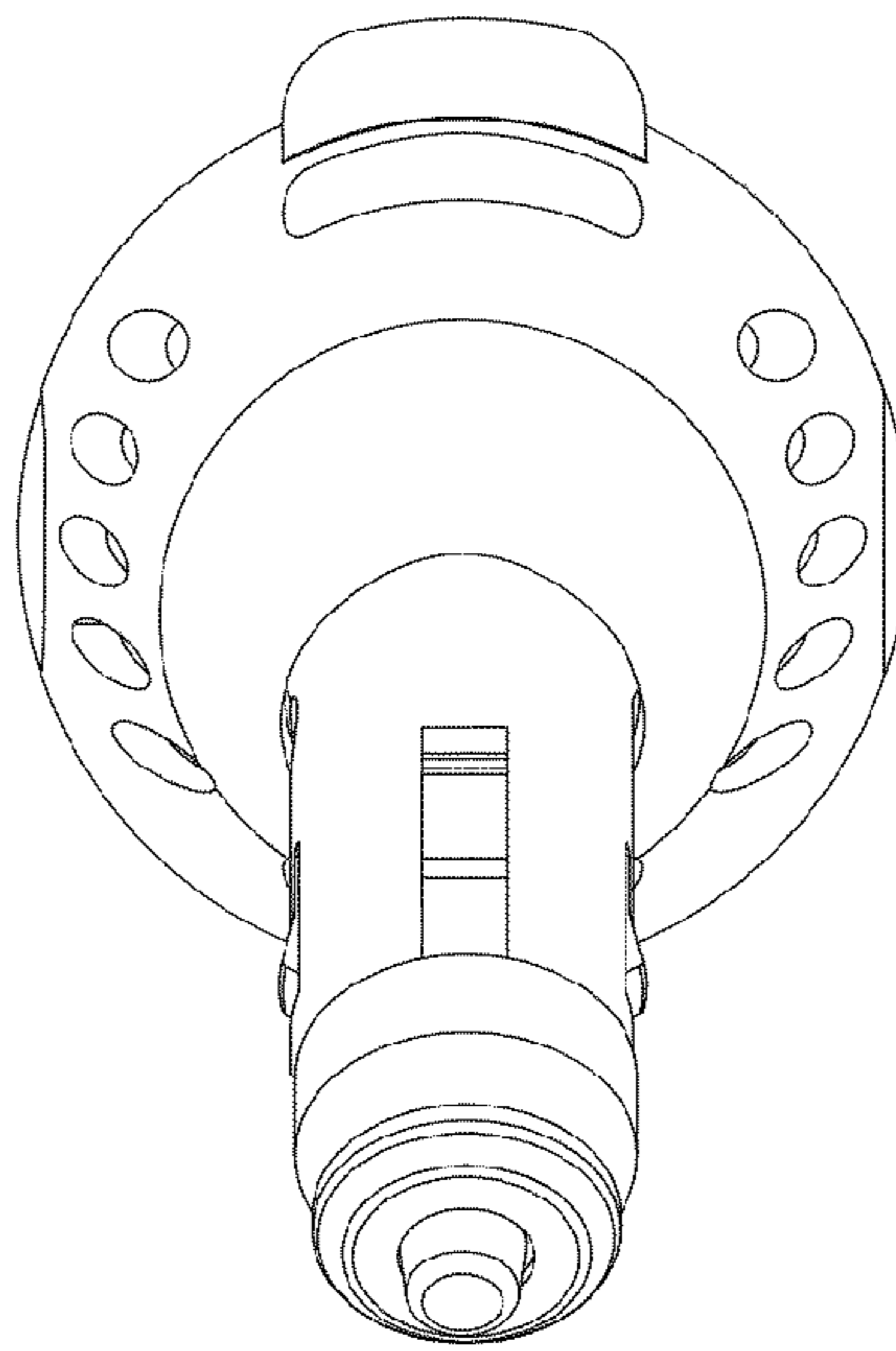


FIG.3

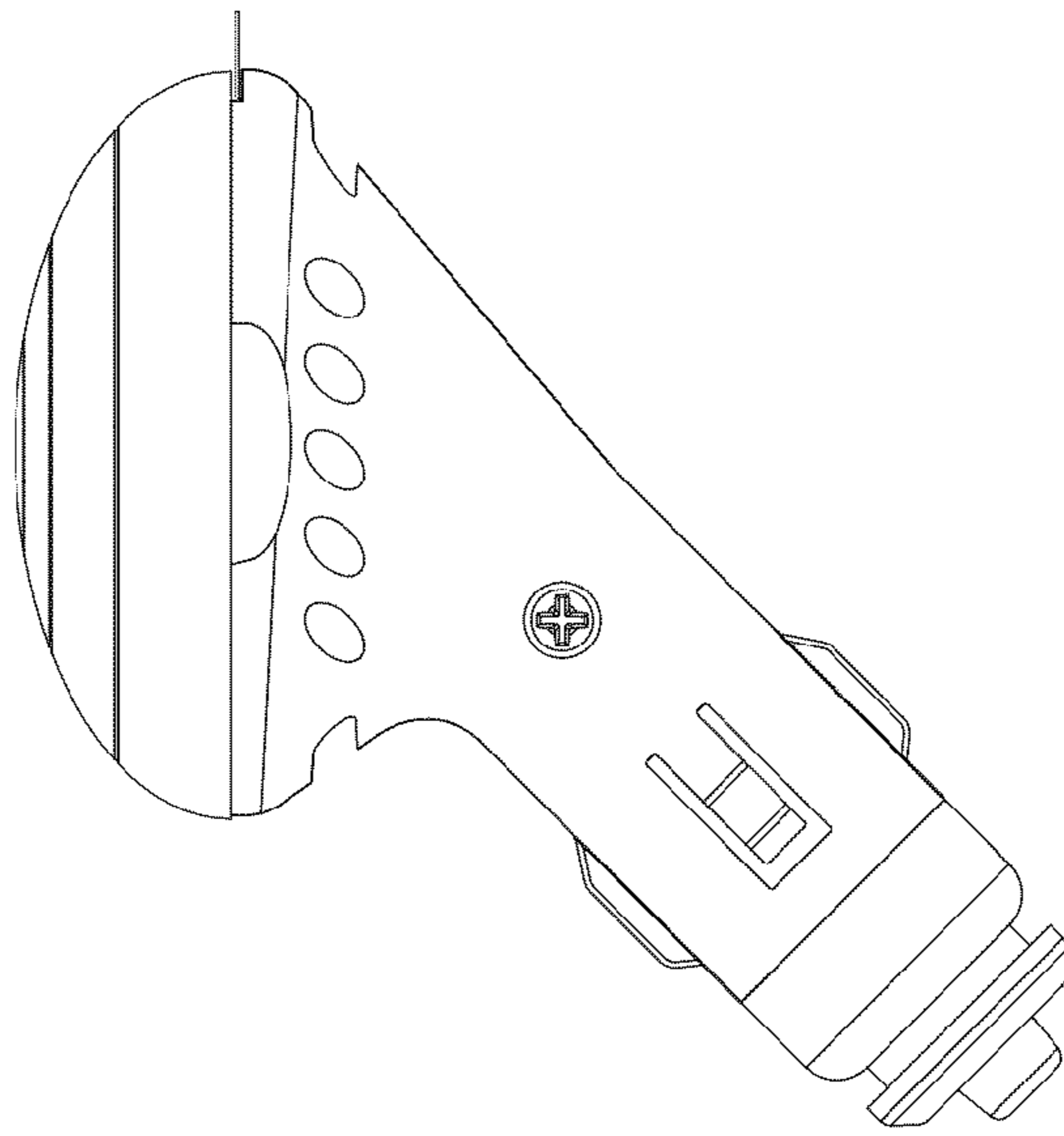


FIG.4

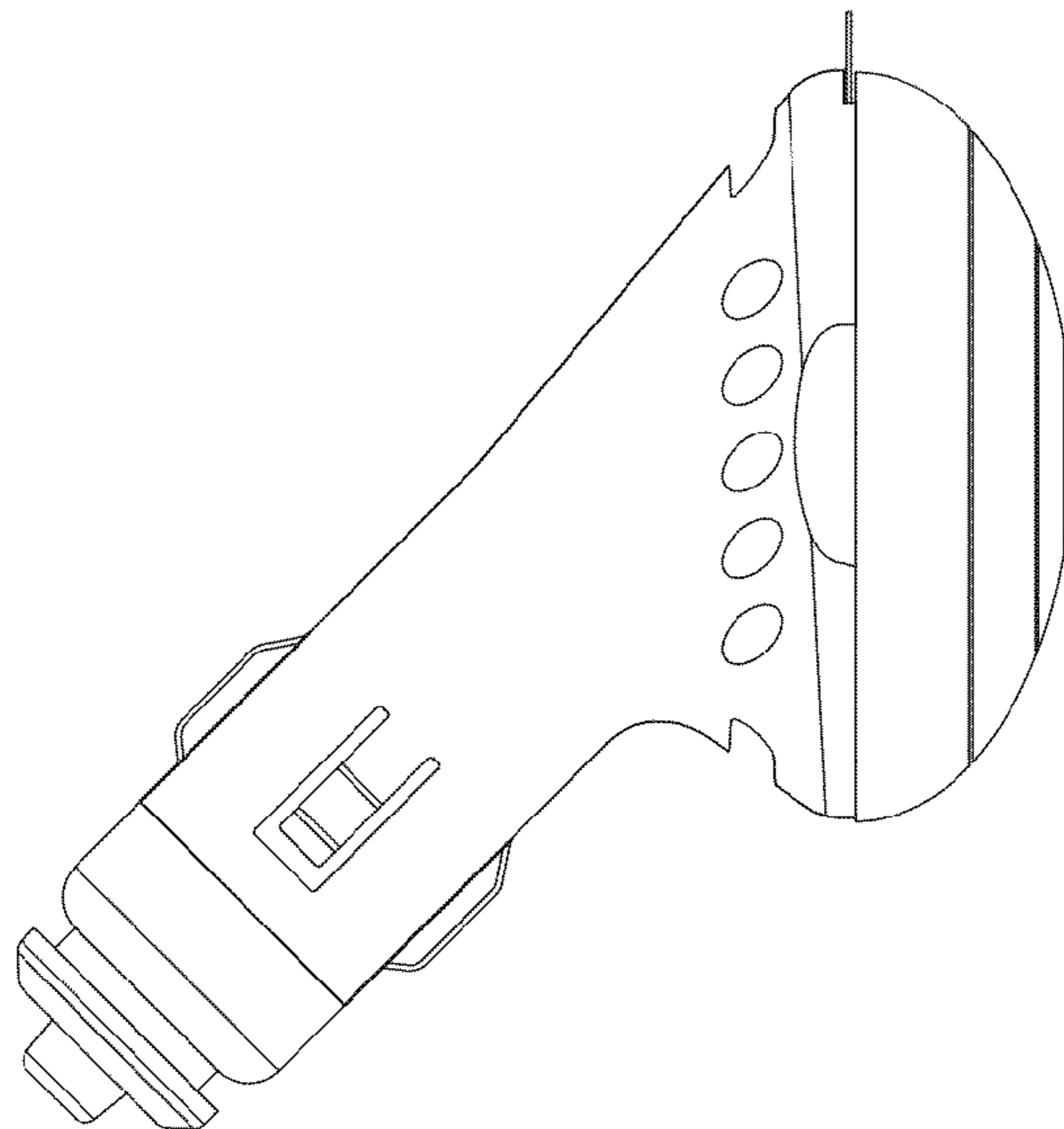


FIG.5

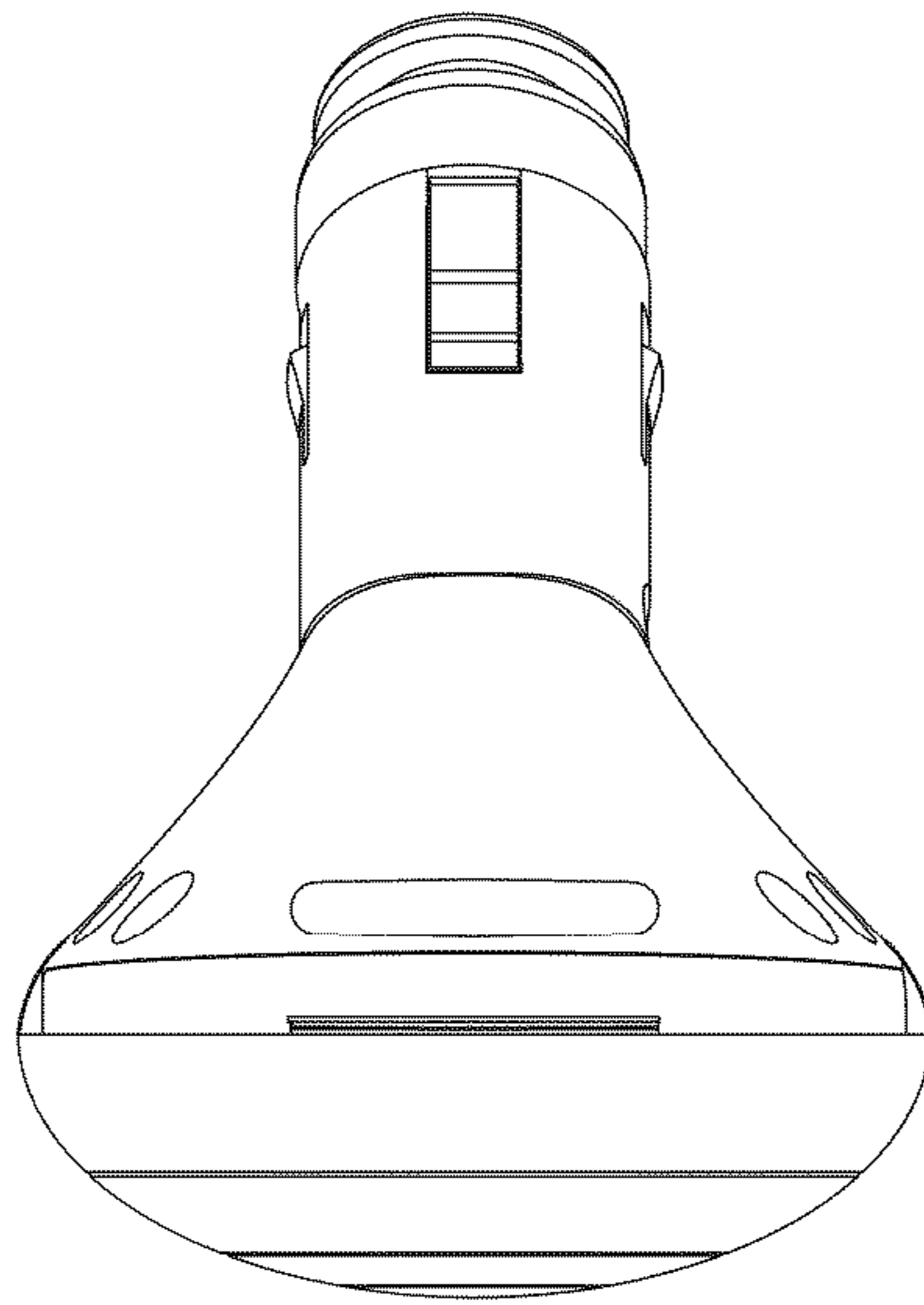


FIG. 6

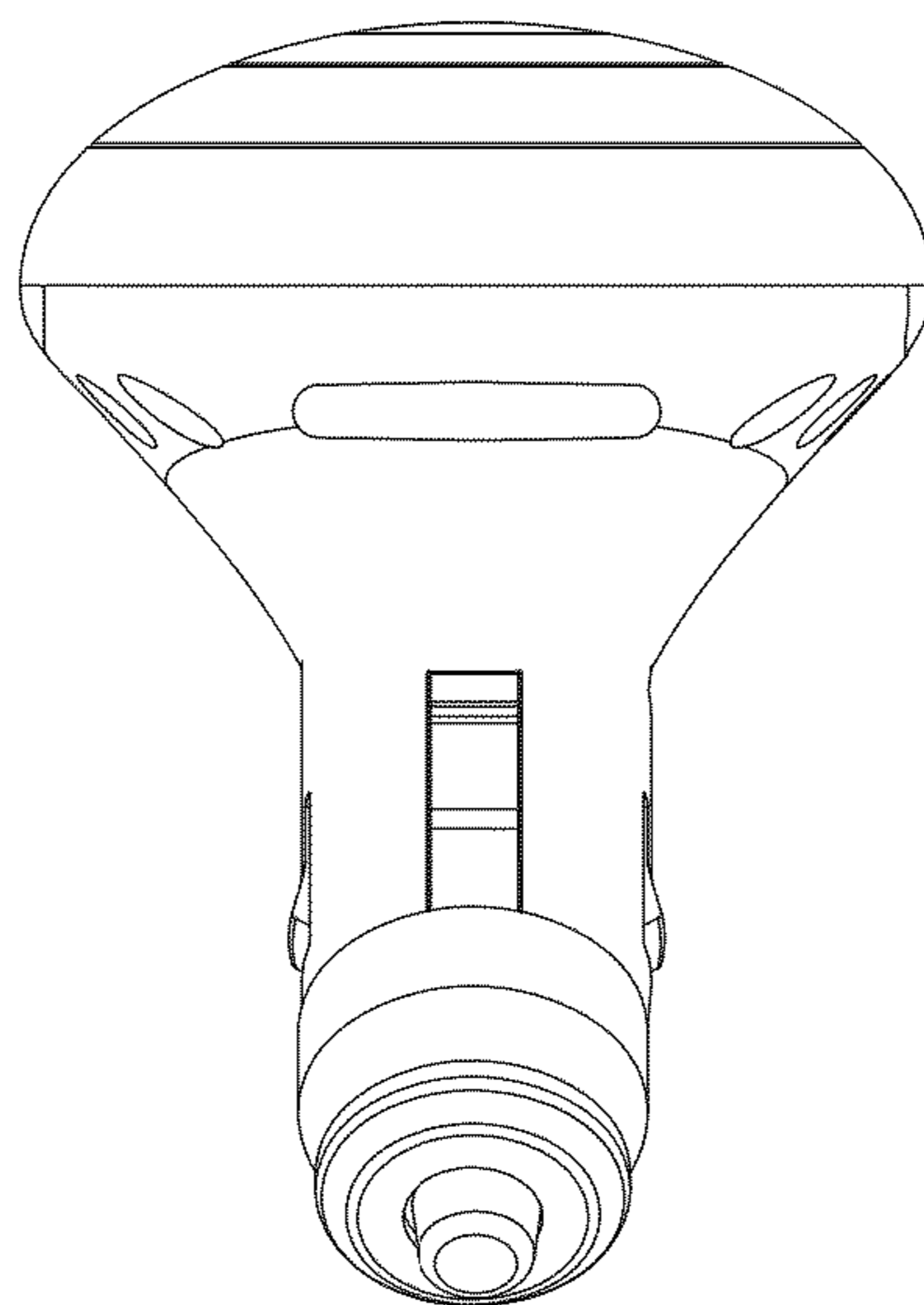


FIG. 7