



US00D646369S

(12) **United States Design Patent**
Nelson et al.

(10) **Patent No.:** **US D646,369 S**
(45) **Date of Patent:** **** Oct. 4, 2011**

(54) **FILTER CARTRIDGE**
(75) Inventors: **Benny Kevin Nelson**, Bloomington, MN (US); **Daniel Robert Zientara**, Lakeville, MN (US); **Jasson Louis Petricka**, Faribault, MN (US)

4,402,830 A 9/1983 Pall
4,430,223 A 2/1984 Miyakawa et al.
4,449,993 A 5/1984 Bergeron
D277,310 S * 1/1985 Jacobsson D23/365
4,537,608 A 8/1985 Koslow
4,617,176 A 10/1986 Merry
(Continued)

(73) Assignee: **Donaldson Company, Inc.**, Minneapolis, MN (US)

FOREIGN PATENT DOCUMENTS

EP 1364695 11/2003
(Continued)

(**) Term: **14 Years**

(21) Appl. No.: **29/310,027**

Primary Examiner — David Muller

(22) Filed: **Jul. 22, 2008**

(74) *Attorney, Agent, or Firm* — Merchant & Gould P.C.

(51) **LOC (9) Cl.** **23-04**

(57) **CLAIM**

(52) **U.S. Cl.** **D23/365**

The ornamental design for a filter cartridge, as shown and described.

(58) **Field of Classification Search** D23/365,
D23/209, 363, 358, 386, 354, 341, 364; 55/385.3,
55/502, 497, 506, 505, 521, 495, 422, 493,
55/DIG. 30; 210/497.1; D32/31; D31/31;
D15/5

DESCRIPTION

See application file for complete search history.

FIG. 1 is an outlet end perspective view of a filter cartridge showing our new design.

(56) **References Cited**

U.S. PATENT DOCUMENTS

991,572 A	5/1911	Weisenstein
2,074,294 A	11/1935	Woodruff
2,887,177 A	5/1959	Mund et al.
3,025,963 A	3/1962	Bauer
3,209,917 A	10/1965	Yelinek
3,676,242 A	7/1972	Prentice
3,695,437 A	10/1972	Shaltis
3,807,150 A	4/1974	Maracle
3,841,953 A	10/1974	Kohkamp et al.
3,849,241 A	11/1974	Butin et al.
3,878,014 A	4/1975	Melead
4,018,580 A	4/1977	Bürkholz et al.
4,065,341 A	12/1977	Cub
4,158,449 A	6/1979	Sun et al.
4,159,899 A	7/1979	Deschenes
4,162,906 A	7/1979	Sullivan et al.
4,282,186 A	8/1981	Nonnenmann et al.
4,285,909 A	8/1981	Mizusawa et al.
4,322,231 A	3/1982	Hilzendeger et al.

FIG. 2 is an inlet end perspective view of the filter cartridge of FIG. 1.

FIG. 3 is a first end elevation view of the filter cartridge of FIG. 1.

FIG. 4 is a second end elevation view of the filter cartridge of FIG. 1; FIG. 4 being the end opposite that depicted in FIG. 3.

FIG. 5 is a first side elevation view of the filter cartridge of FIG. 1.

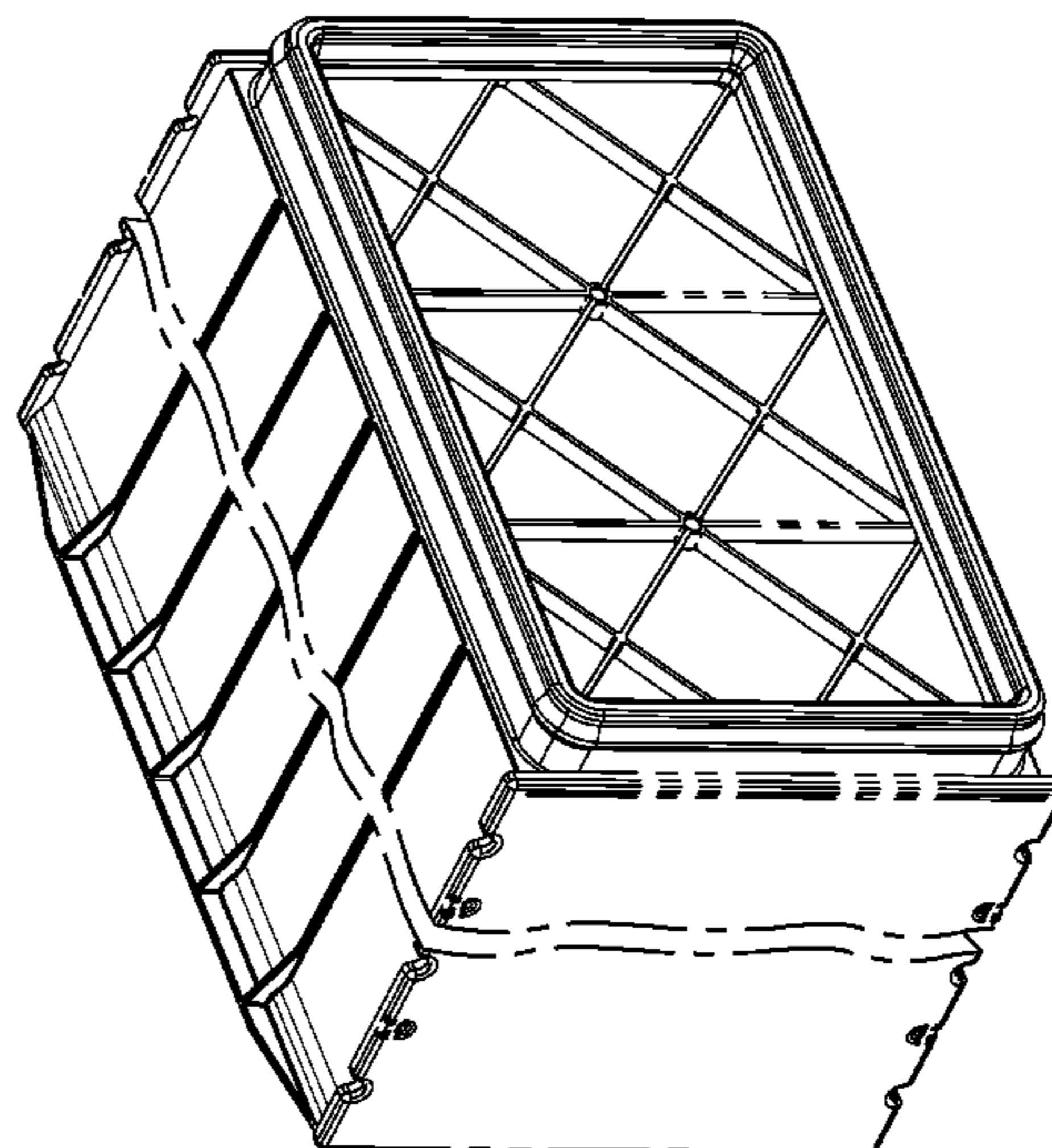
FIG. 6 is a second side elevation view of the filter cartridge of FIG. 1; FIG. 6 being the end opposite that depicted in FIG. 5.

FIG. 7 is an outlet end plan view of the cartridge of FIG. 1; and,

FIG. 8 is an inlet end plan view of the filter cartridge of FIG. 1.

The phantom lines shown in the drawings depict portions of the drawings not considered to be part of the claimed design. The dash dot break lines in the drawings indicate that no particular length is claimed.

1 Claim, 8 Drawing Sheets



US D646,369 S

U.S. PATENT DOCUMENTS

4,704,143	A	11/1987	Percy	
4,720,292	A	1/1988	Engel et al.	
4,925,469	A	5/1990	Clement et al.	
4,925,561	A	5/1990	Ishii et al.	
4,963,170	A	10/1990	Weber et al.	
5,030,264	A	7/1991	Klotz et al.	
D326,514	S *	5/1992	Alsup et al.	D23/364
5,125,941	A	6/1992	Ernst et al.	
5,213,596	A	5/1993	Kume et al.	
5,304,312	A	4/1994	Forster et al.	
5,350,515	A	9/1994	Stark et al.	
5,415,677	A	5/1995	Ager et al.	
5,435,870	A	7/1995	Takagaki et al.	
5,484,466	A	1/1996	Brown et al.	
5,487,767	A	1/1996	Brown	
5,494,497	A	2/1996	Lee	
5,543,007	A	8/1996	Takagaki et al.	
5,547,480	A	8/1996	Coulonvaux	
5,569,311	A	10/1996	Oda et al.	
5,590,695	A	1/1997	Siegele et al.	
5,611,922	A	3/1997	Stene	
5,613,992	A	3/1997	Engel	
D380,536	S *	7/1997	Ellwood	D23/365
D380,537	S *	7/1997	Ellwood	D23/365
5,645,718	A	7/1997	Hardison et al.	
5,683,660	A	11/1997	Wirth et al.	
5,685,985	A	11/1997	Brown et al.	
5,714,126	A	2/1998	Frund	
5,730,768	A	3/1998	Kaminaga et al.	
5,740,774	A	4/1998	Kennedy	
5,755,843	A	5/1998	Sundquist	
5,772,883	A	6/1998	Rothman et al.	
D396,098	S	7/1998	Gillingham et al.	
5,792,247	A	8/1998	Gillingham et al.	
D398,046	S	9/1998	Gillingham et al.	
5,820,646	A	10/1998	Gillingham et al.	
5,863,313	A	1/1999	Coulonvaux	
5,897,676	A	4/1999	Engel	
5,902,364	A	5/1999	Tokar et al.	
5,951,729	A	9/1999	Ernst et al.	
D417,268	S *	11/1999	Gillingham	D23/365
6,007,169	A	12/1999	Li et al.	
6,048,386	A	4/2000	Gillingham et al.	
D425,189	S *	5/2000	Gillingham et al.	D23/365
6,149,700	A	11/2000	Morgan et al.	
6,179,890	B1	1/2001	Ramos et al.	

D437,402	S *	2/2001	Gieseke et al.	D23/365
6,190,432	B1	2/2001	Gieseke et al.	
D439,963	S *	4/2001	Gieseke et al.	D23/365
6,231,630	B1	5/2001	Ernst et al.	
6,235,195	B1	5/2001	Tokar	
6,296,025	B1	10/2001	Gregg et al.	
6,299,661	B1	10/2001	Bloomer	
6,322,602	B2	11/2001	Engel et al.	
6,348,084	B1	2/2002	Gieseke et al.	
6,350,291	B1	2/2002	Gieseke et al.	
D455,483	S *	4/2002	Gieseke et al.	D23/365
6,368,374	B1	4/2002	Tokar et al.	
D466,602	S *	12/2002	Gieseke et al.	D23/365
6,517,598	B2	2/2003	Anderson et al.	
6,572,667	B1	6/2003	Greif et al.	
6,585,792	B2	7/2003	Schneider et al.	
6,598,580	B2	7/2003	Baumann et al.	
6,610,117	B2	8/2003	Gieseke et al.	
6,610,126	B2	8/2003	Xu et al.	
D483,459	S *	12/2003	DeWit et al.	D23/365
D484,584	S *	12/2003	Anderson et al.	D23/365
D497,202	S *	10/2004	Carter et al.	D23/365
7,004,986	B2	2/2006	Kopec et al.	
7,323,029	B2	1/2008	Engelland et al.	
7,351,270	B2	4/2008	Engelland et al.	
2002/0112458	A1	8/2002	Schneider et al.	
2002/0184864	A1	12/2002	Bishop et al.	
2002/0185007	A1	12/2002	Xu et al.	
2004/0020177	A1	2/2004	Ota et al.	
2006/0163150	A1	7/2006	Golden	
2008/0022641	A1	1/2008	Engelland et al.	
2008/0250763	A1	10/2008	Widerski	

FOREIGN PATENT DOCUMENTS

JP	60-112320	6/1985
JP	1-171615	12/1987
JP	1-11971	4/1989
WO	97/40918	11/1997
WO	WO 97/40908	11/1997
WO	WO 97/40910	11/1997
WO	00/74818	12/2000
WO	03/084641	10/2003
WO	WO 03/095068	11/2003
WO	2004/007054	1/2004
WO	2004/020075	A2 3/2004
WO	WO 2006/009766	1/2006

* cited by examiner

FIG. 1

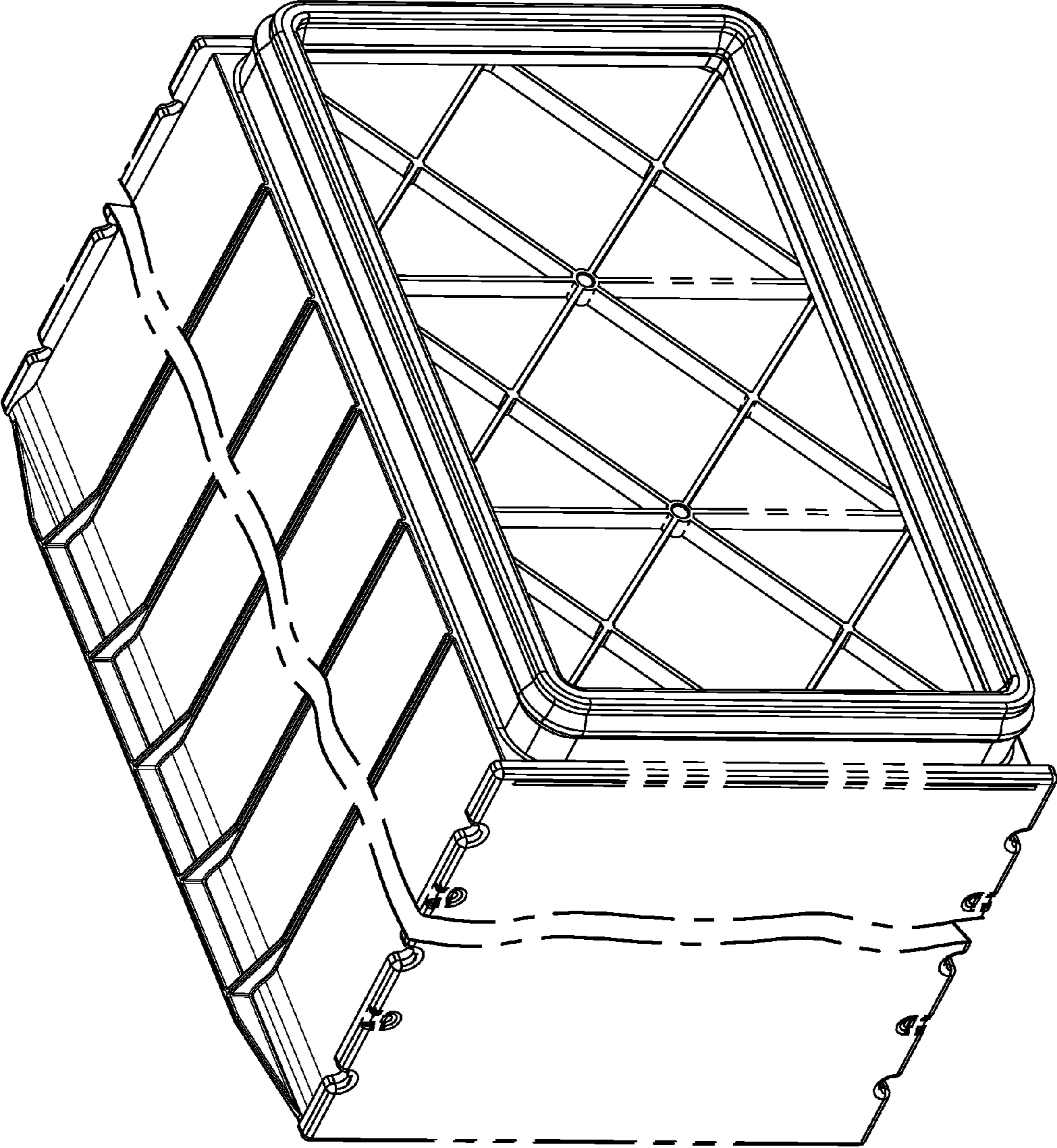


FIG. 2

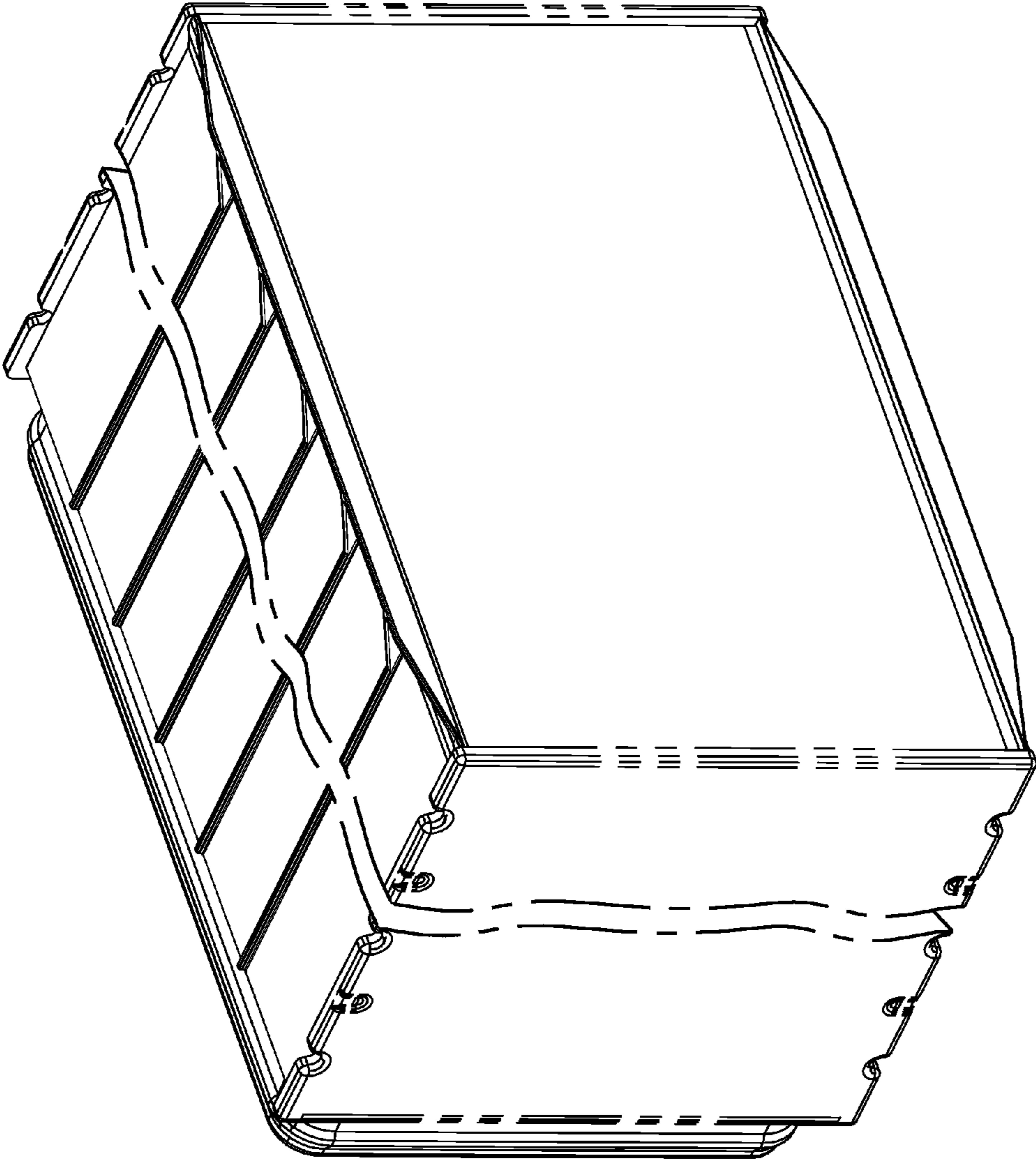


FIG. 3

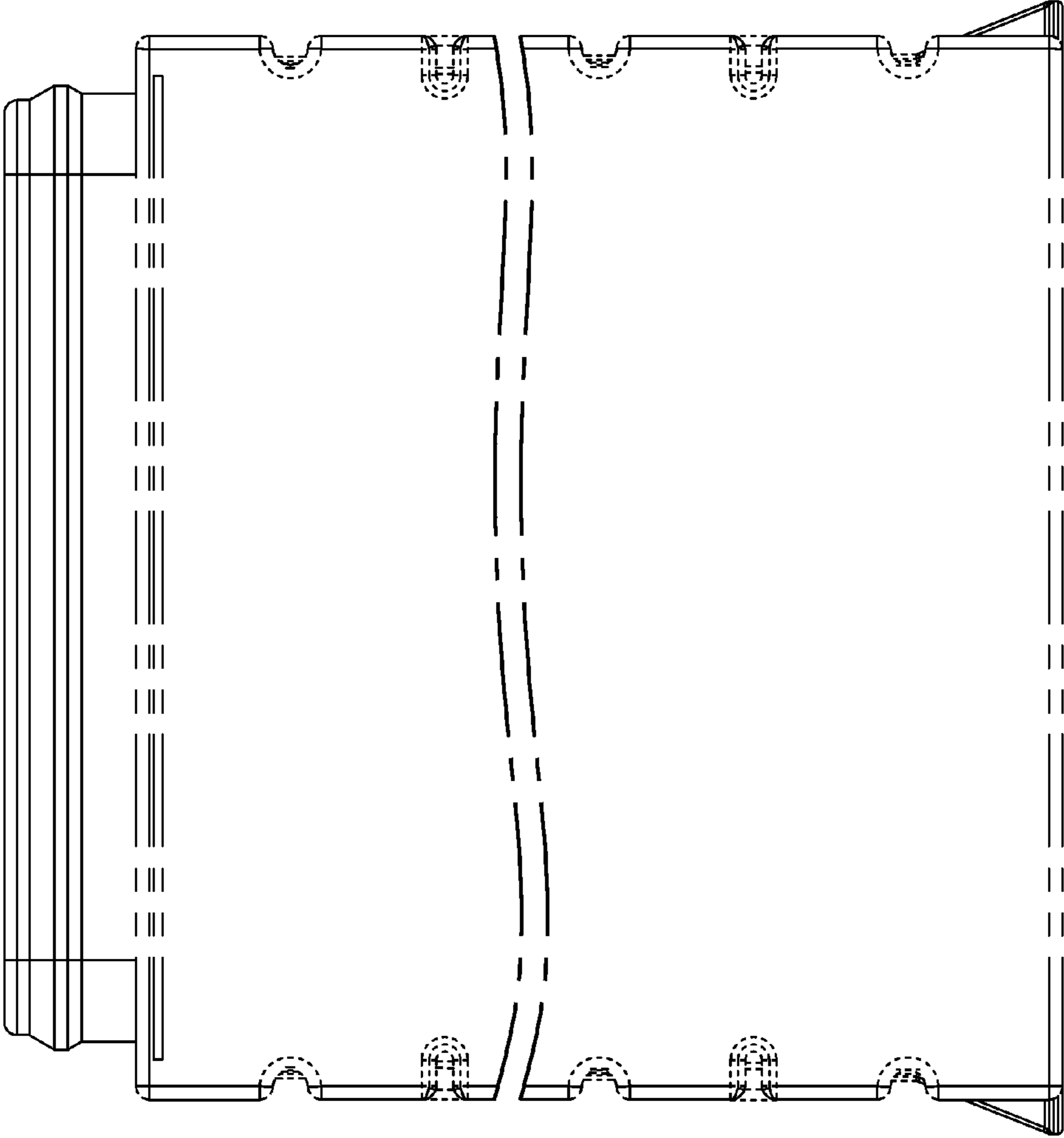


FIG. 4

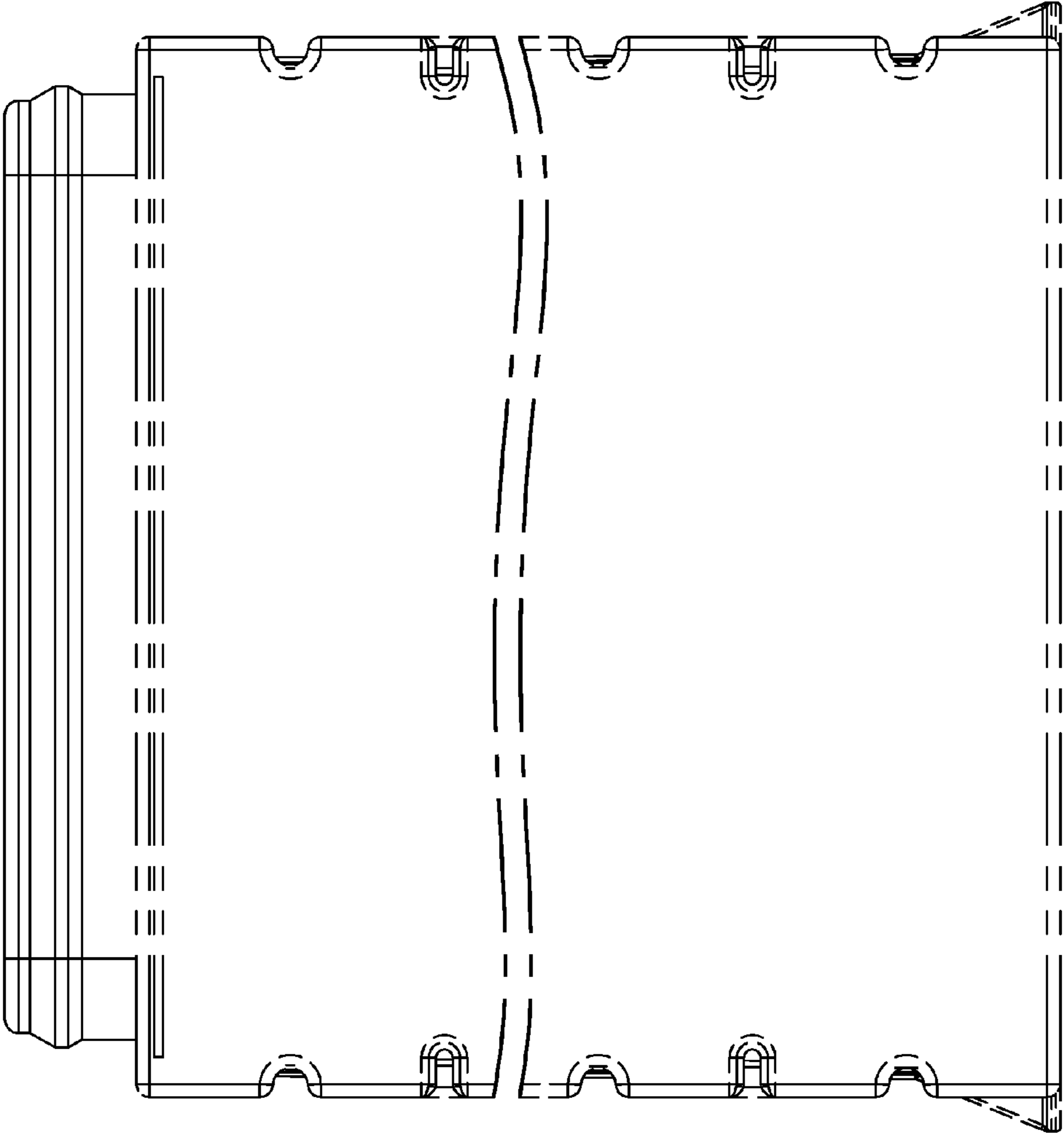


FIG. 5

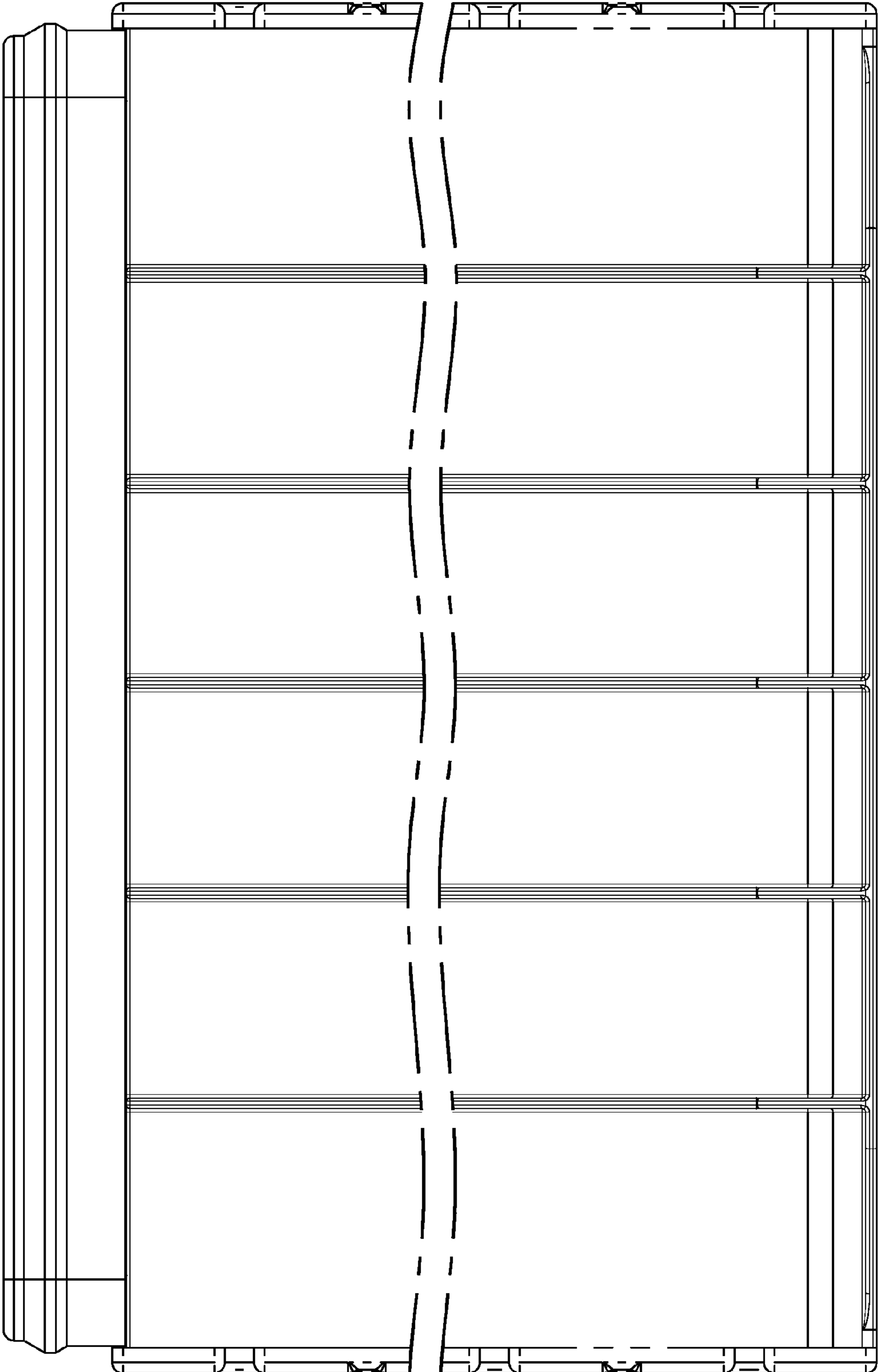


FIG. 6

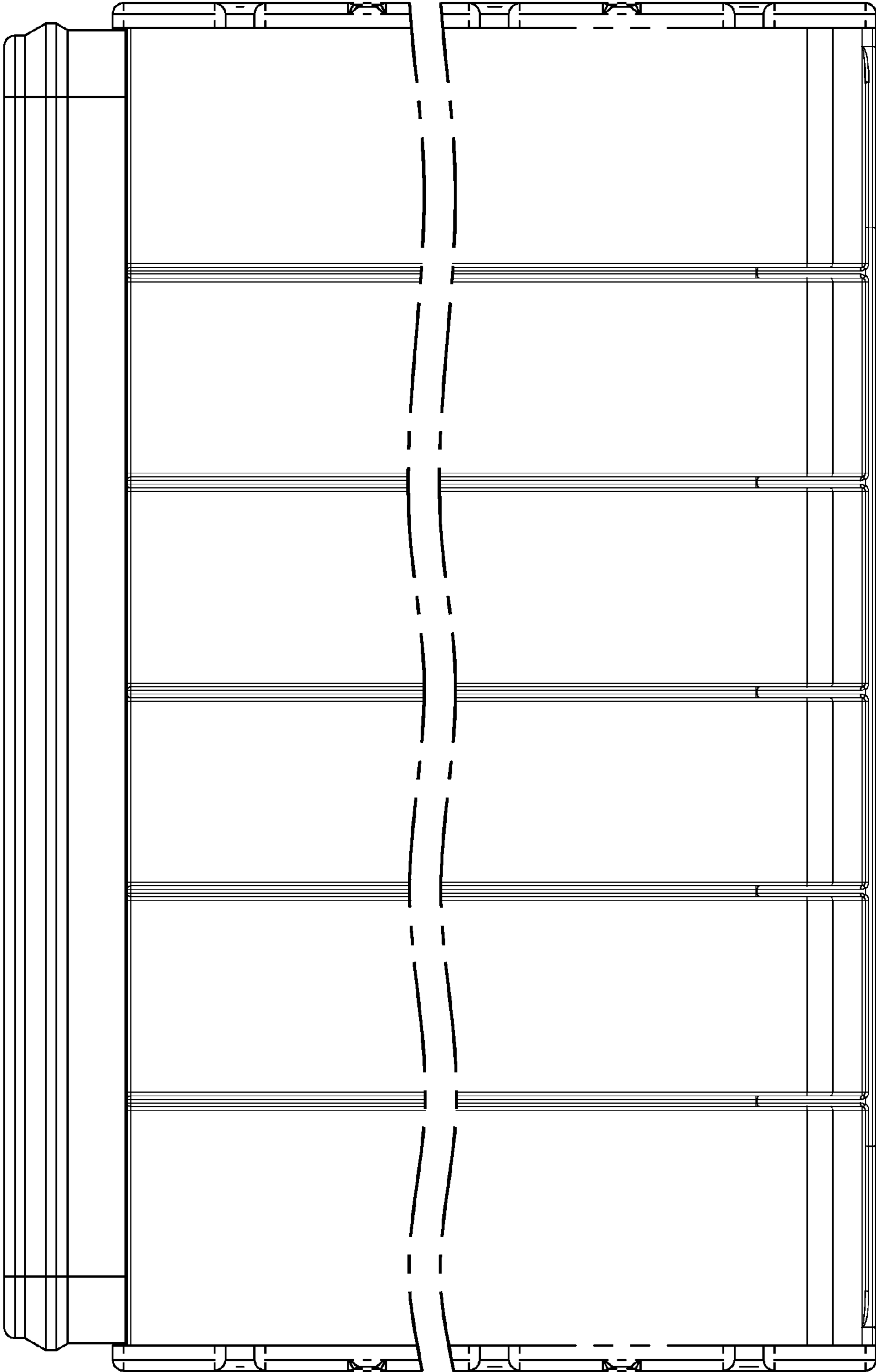


FIG. 7

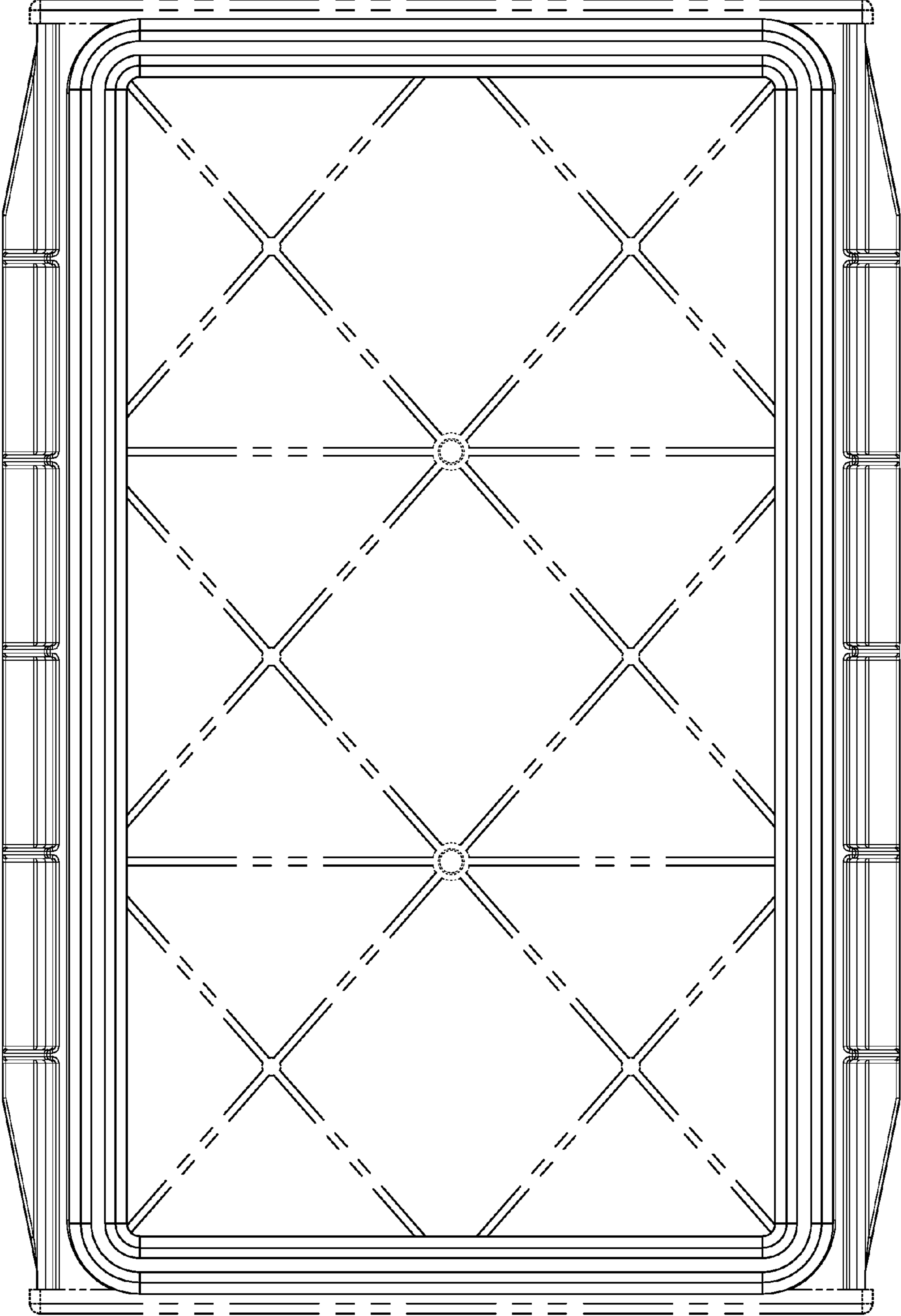


FIG. 8

