



US00D646367S

(12) **United States Design Patent**  
**Knörck et al.**

(10) **Patent No.:** **US D646,367 S**

(45) **Date of Patent:** **\*\* Oct. 4, 2011**

(54) **WATER HEATER**

(75) Inventors: **Thomas Knörck**, Beelitz (DE); **Hagen Hennecke**, Berlin (DE)

(73) Assignee: **Franke Aquarotter AG**, Ludwigsfelde (DE)

(\*\*) Term: **14 Years**

(21) Appl. No.: **29/365,583**

(22) Filed: **Jul. 12, 2010**

(30) **Foreign Application Priority Data**

Jan. 11, 2010 (EM) ..... 001188882

(51) **LOC (9) Cl.** ..... **23-03**

(52) **U.S. Cl.** ..... **D23/318**

(58) **Field of Classification Search** ..... 126/361,  
126/35 R; 122/13.2, 14, 15, 19.2; 392/449,  
392/451, 454; D23/318, 319, 320, 321, 334  
See application file for complete search history.

(56) **References Cited**

**U.S. PATENT DOCUMENTS**

D397,191 S \* 8/1998 Kralovec et al. .... D23/316  
D602,139 S \* 10/2009 Elvin-Jensen ..... D23/318  
D615,177 S \* 5/2010 Reeder ..... D23/318

**OTHER PUBLICATIONS**

Lavatory/Galley Water Heater, The BF Goodrich Company, 1994.  
Aviation Faucet and Shower Systems, Washroom Systems, Franke,  
Oct. 10, 2005.

\* cited by examiner

*Primary Examiner* — T. Chase Nelson

*Assistant Examiner* — Ania Dworzecka

(74) *Attorney, Agent, or Firm* — Volpe and Koenig, P.C.

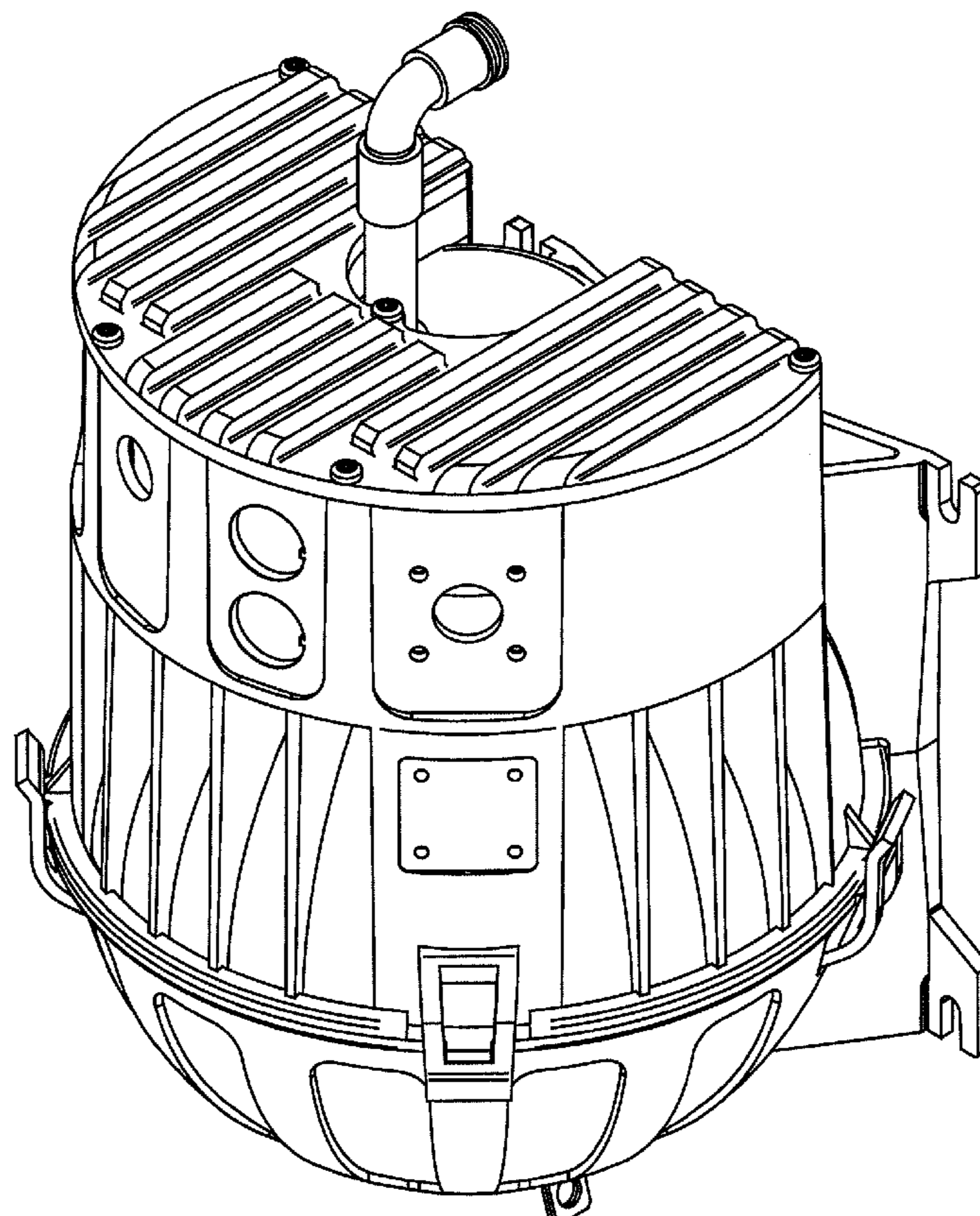
(57) **CLAIM**

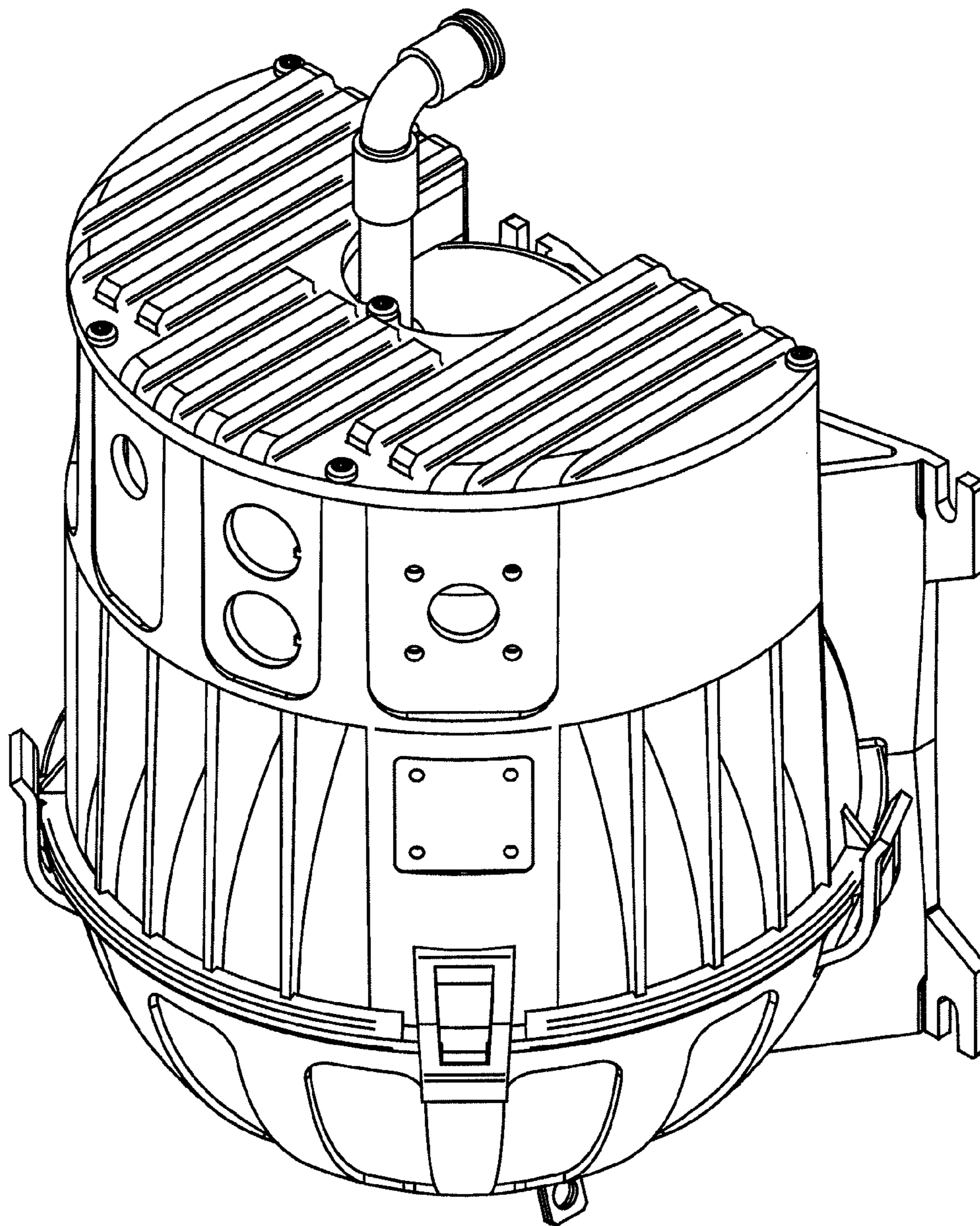
The ornamental design for water heater, as shown and described.

**DESCRIPTION**

FIG. 1 is a top, front, right side perspective view of a water heater in accordance with our design;  
FIG. 2 is a top plan view thereof;  
FIG. 3 is a front elevational view thereof;  
FIG. 4 is a bottom plan view thereof;  
FIG. 5 is a left side elevational view thereof;  
FIG. 6 is a right side elevational view thereof; and,  
FIG. 7 is a rear elevational view thereof.

**1 Claim, 7 Drawing Sheets**





**FIG. 1**

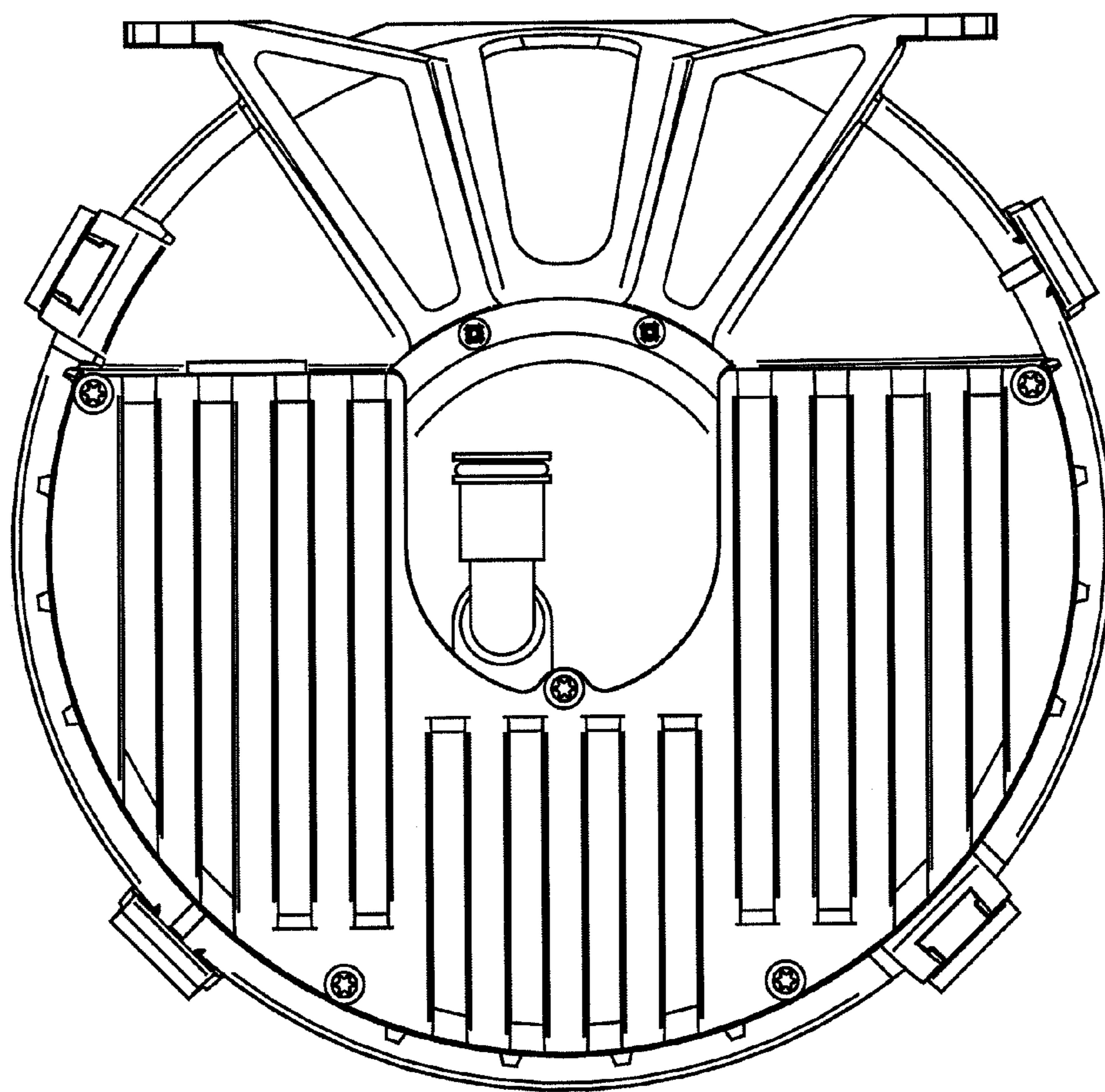


FIG. 2

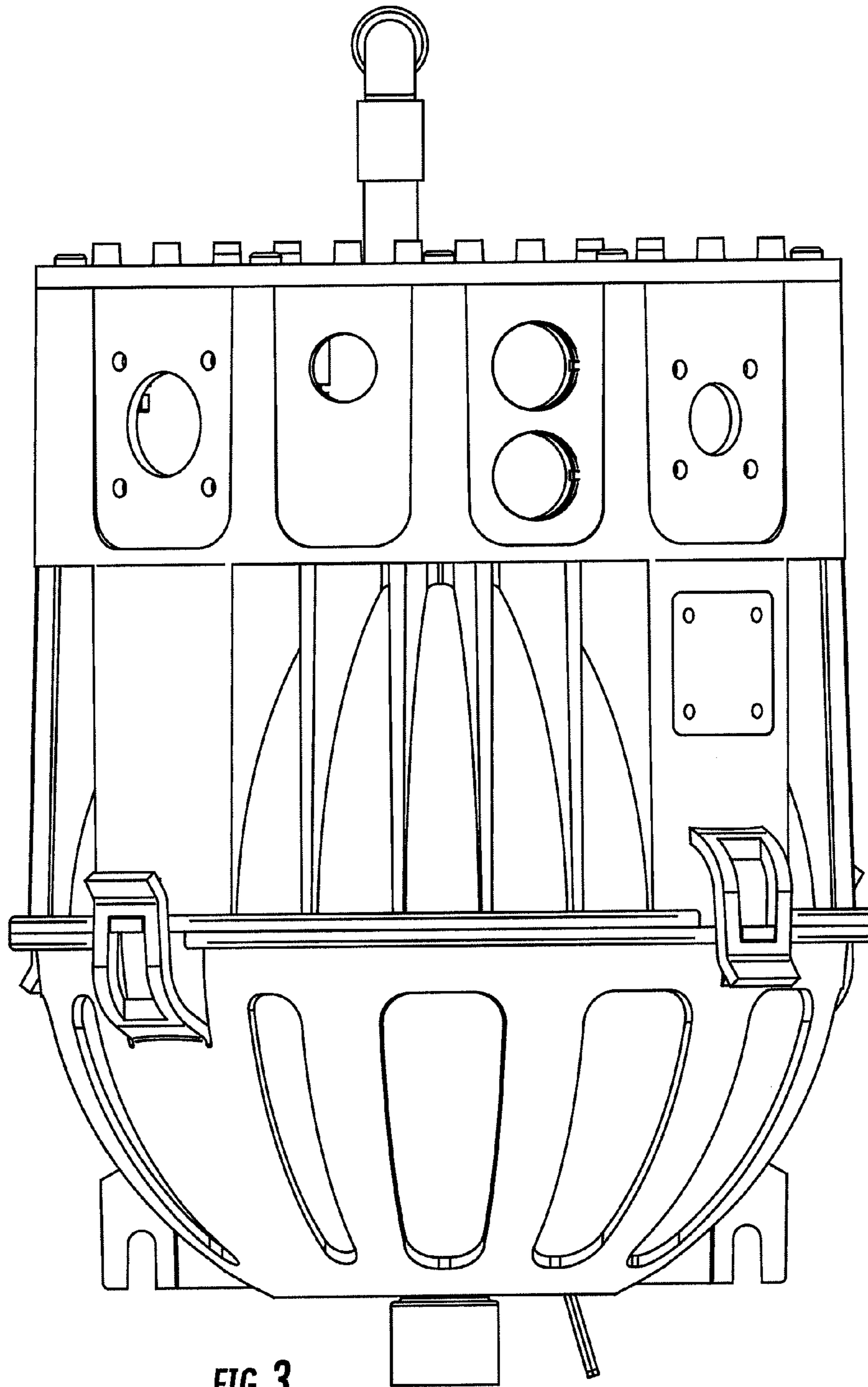


FIG. 3

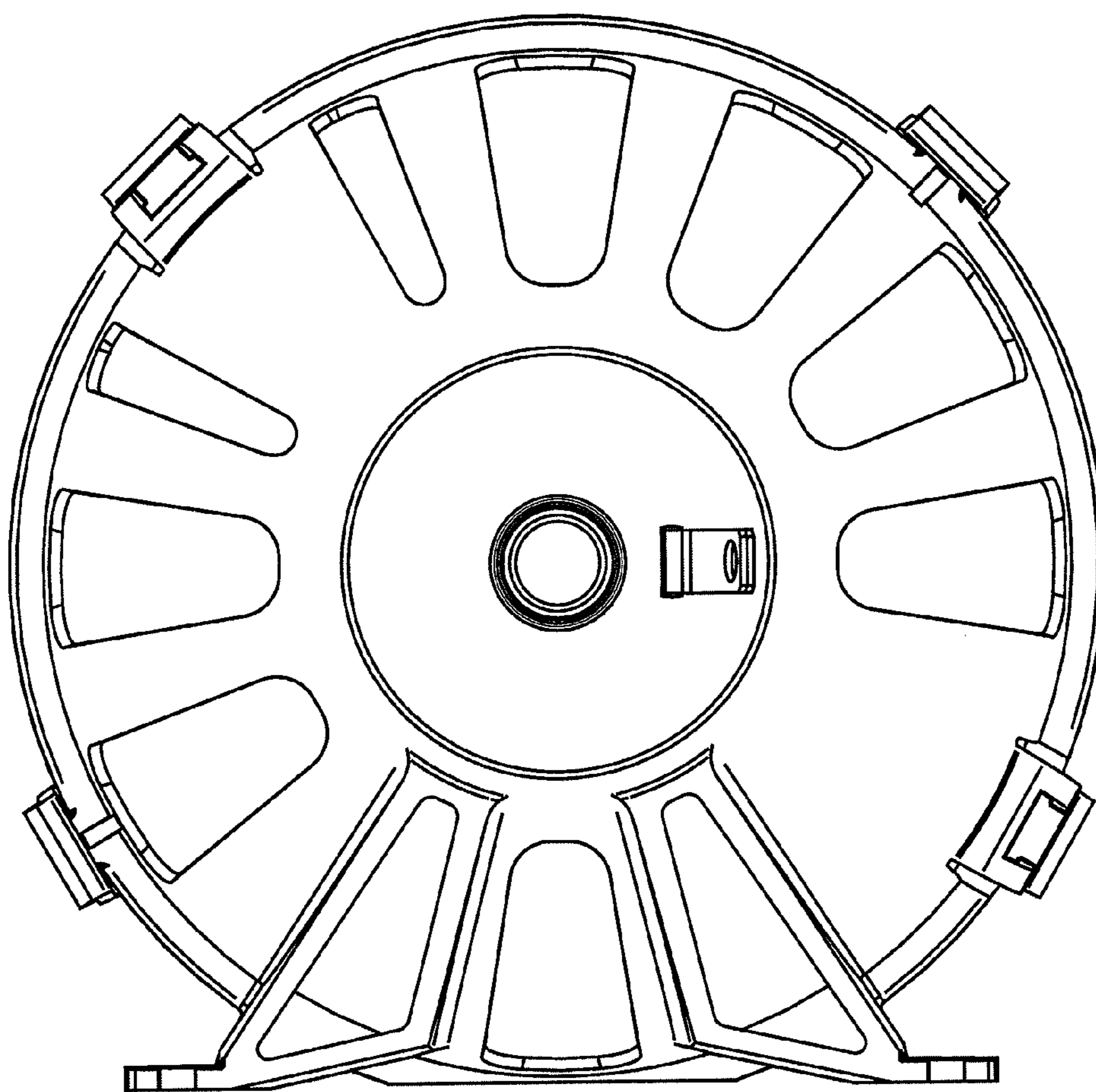


FIG. 4

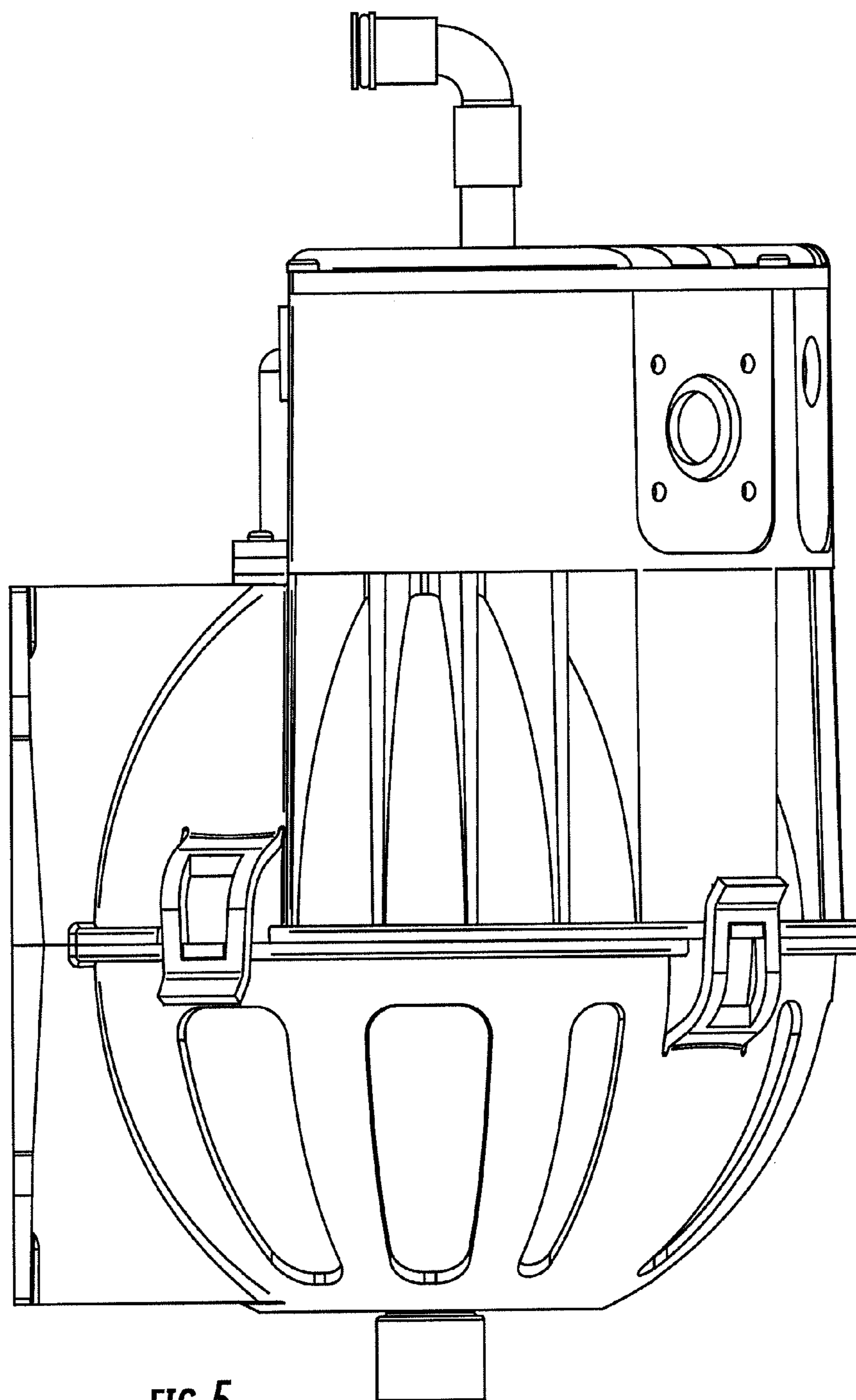


FIG. 5

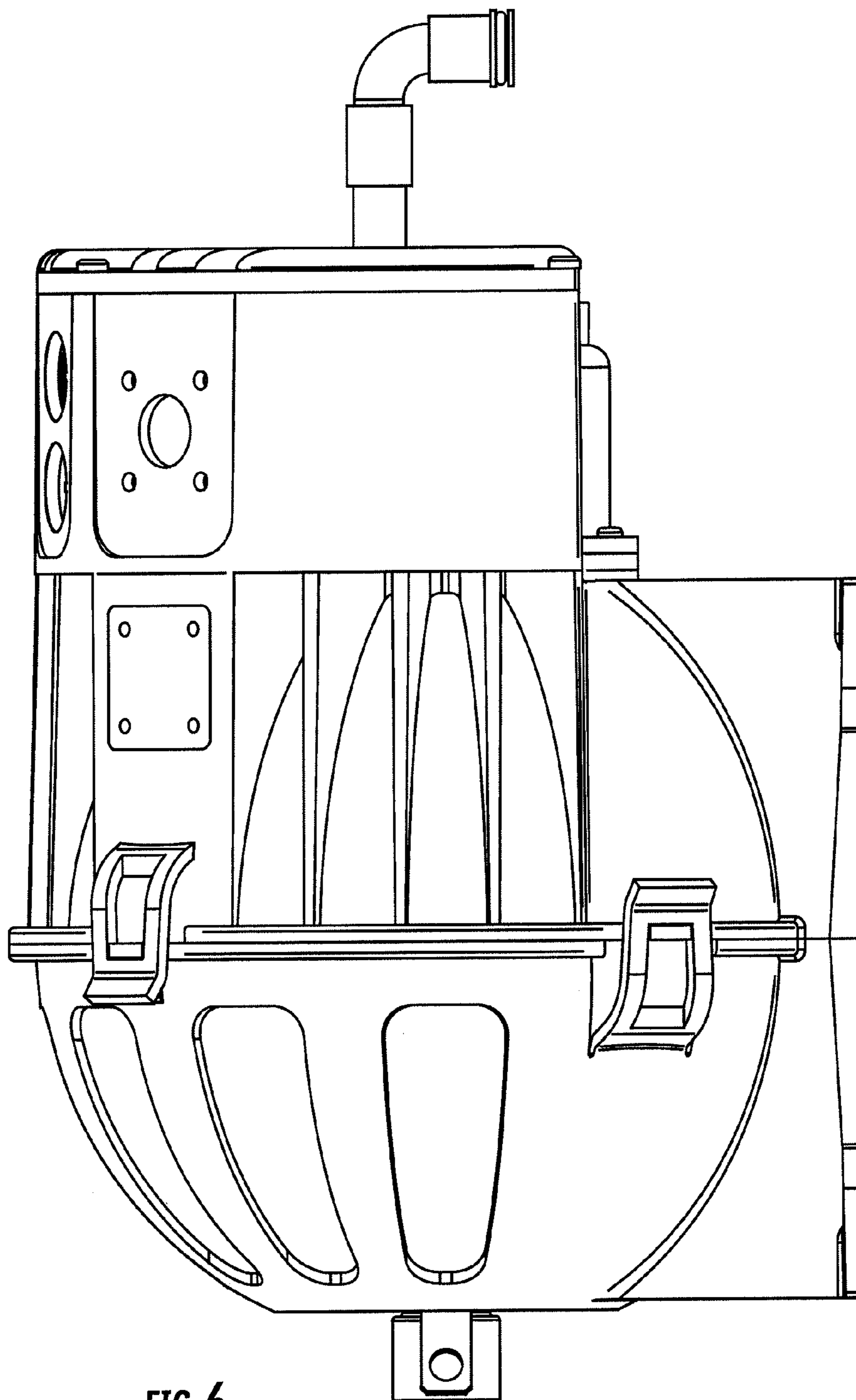


FIG. 6

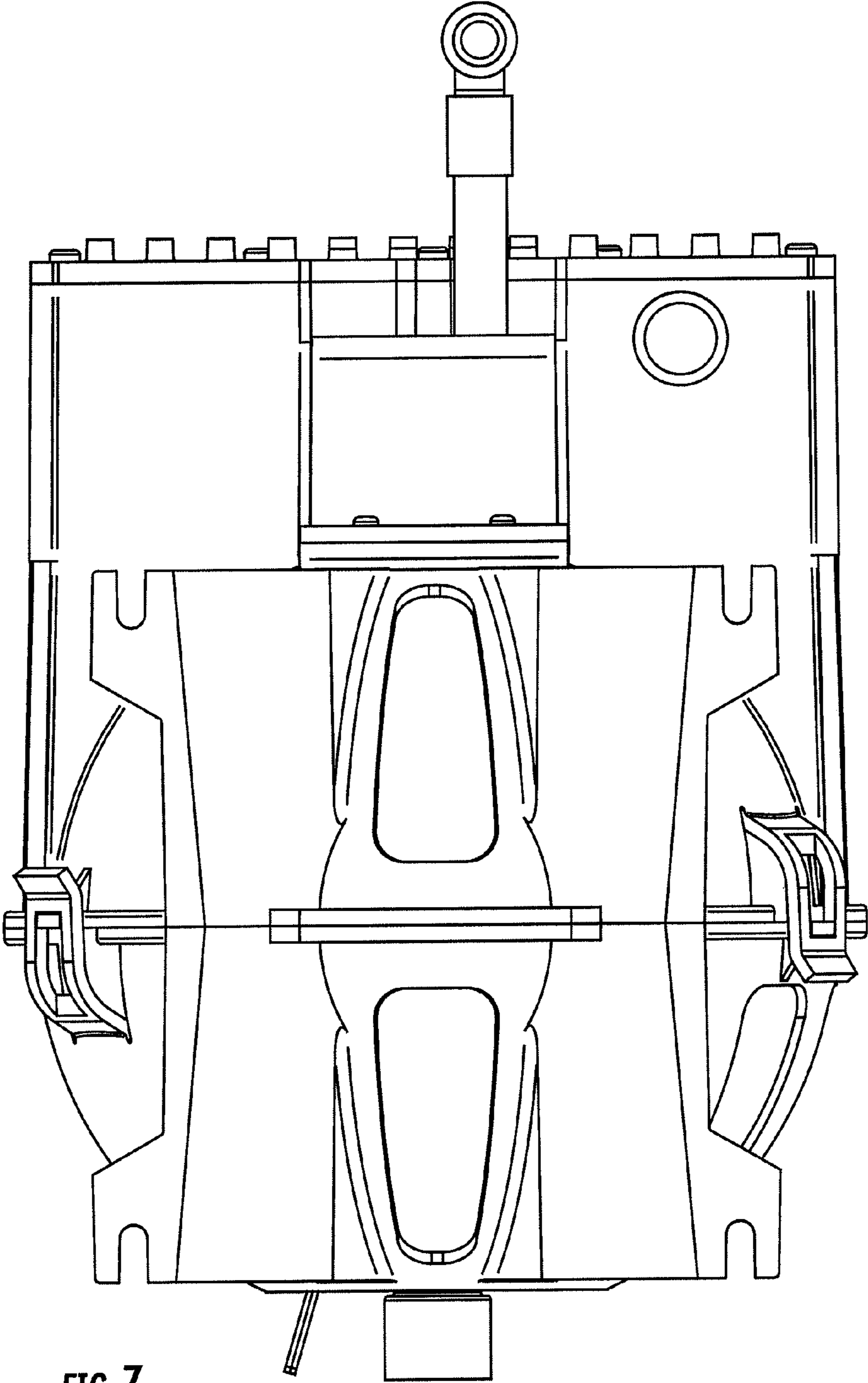


FIG. 7