



US00D646366S

(12) **United States Design Patent**
Palomba et al.

(10) **Patent No.:** **US D646,366 S**

(45) **Date of Patent:** **** Oct. 4, 2011**

(54) **TOILET**

(75) Inventors: **Roberto Palomba**, Milan (IT);
Ludovica Palomba, Milan (IT)

(73) Assignee: **Keramik Holding AG Laufen**, Laufen
(CH)

(**) Term: **14 Years**

(21) Appl. No.: **29/365,211**

(22) Filed: **Jul. 6, 2010**

(51) **LOC (9) Cl.** **23-02**

(52) **U.S. Cl.** **D23/301**

(58) **Field of Classification Search** D23/295,
D23/301, 303, 309, 313; 4/300, 329, 353

See application file for complete search history.

(56) **References Cited**

U.S. PATENT DOCUMENTS

D531,714 S * 11/2006 Soulier D23/313
D594,944 S * 6/2009 Starck D23/301

* cited by examiner

Primary Examiner — Robert Delehanty

(74) *Attorney, Agent, or Firm* — Husch Blackwell LLP

(57) **CLAIM**

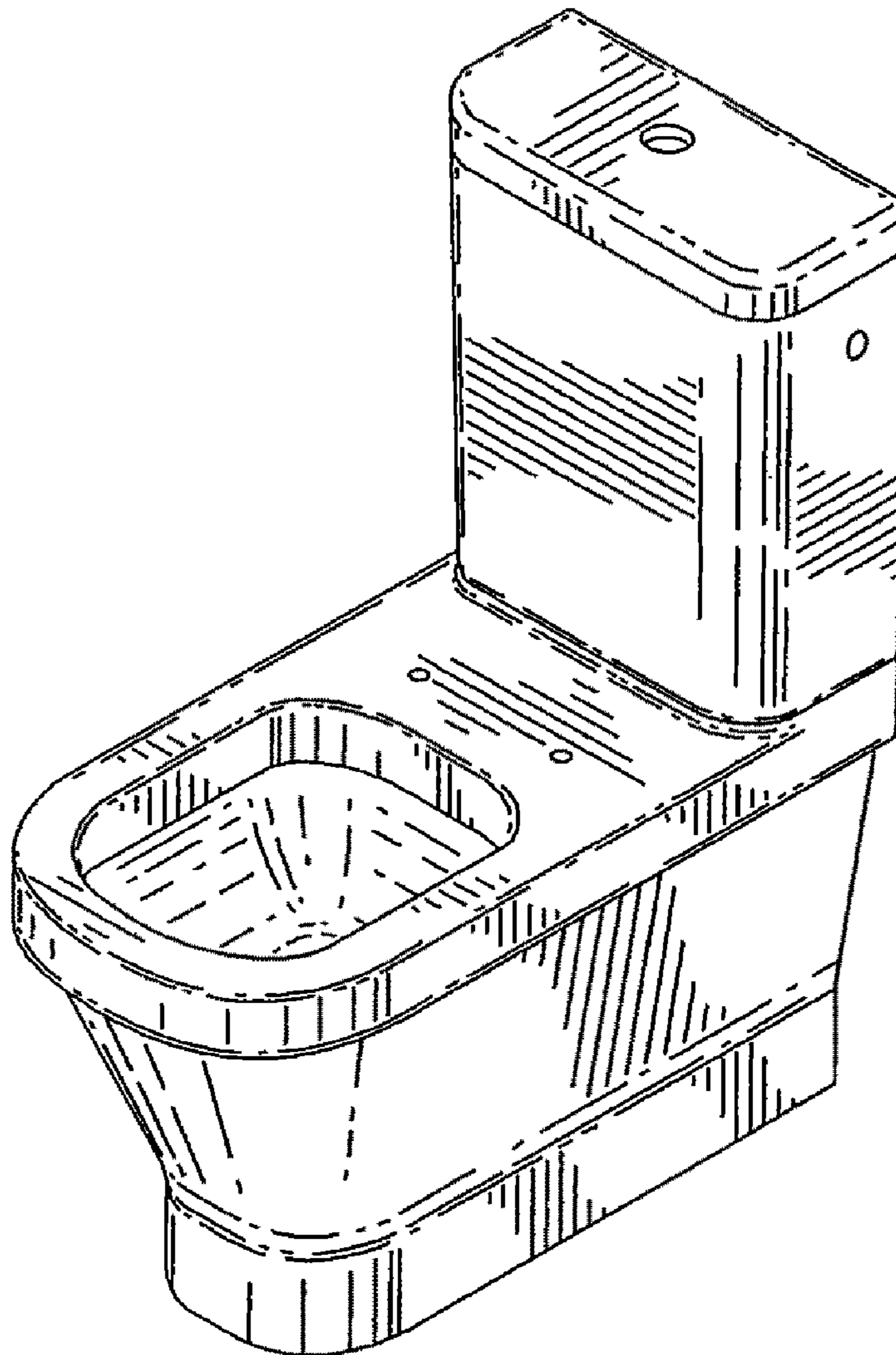
The ornamental design for a toilet, as shown and described.

DESCRIPTION

FIG. 1 is a top perspective view of a toilet showing the new design;

FIG. 2 is a front plan view of the toilet shown in FIG. 1; and,
FIG. 3 is a right side elevational view of the toilet shown in FIG. 1 (the left side elevational view of the toilet is a mirror image of the view shown in FIG. 3).

1 Claim, 1 Drawing Sheet



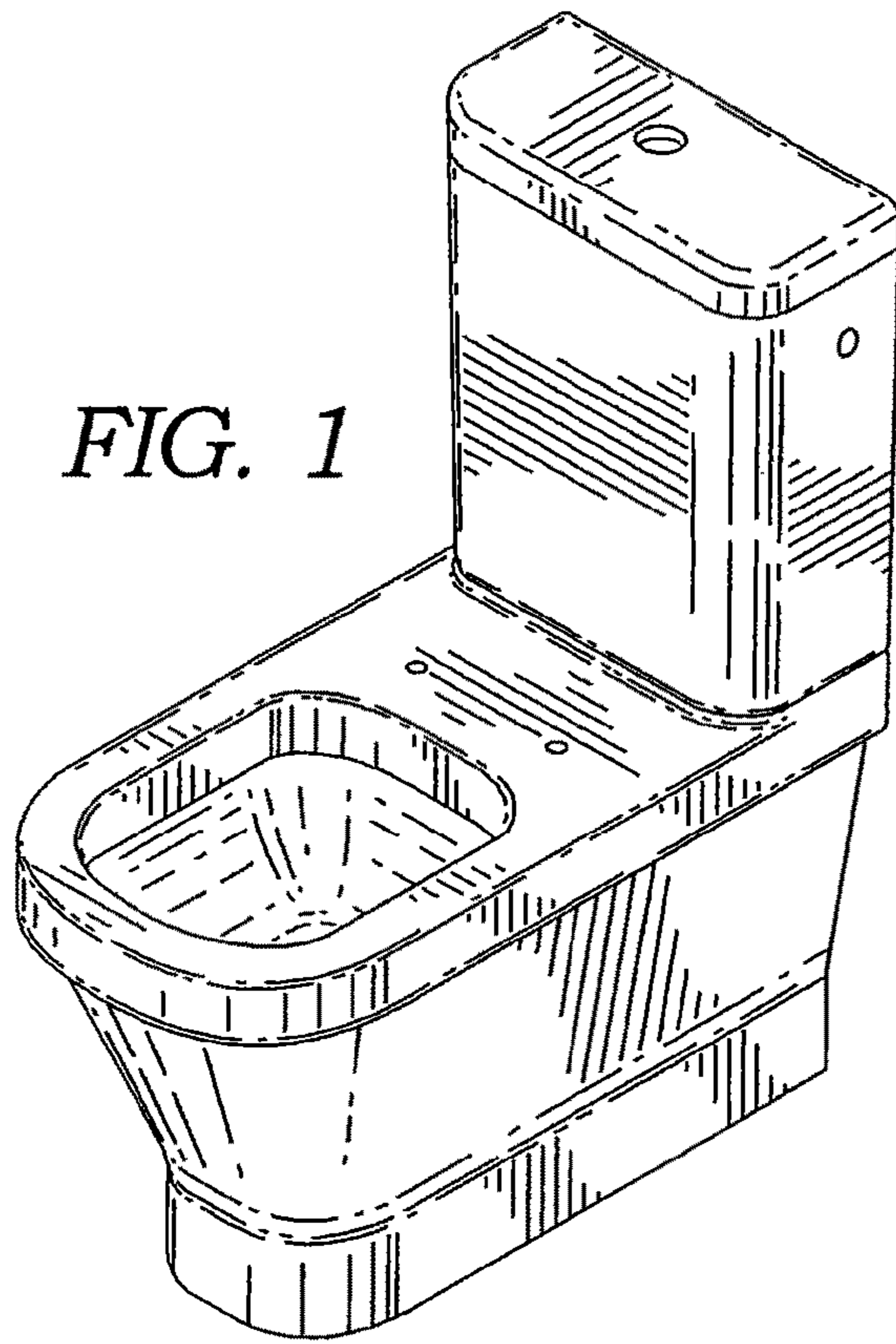


FIG. 1

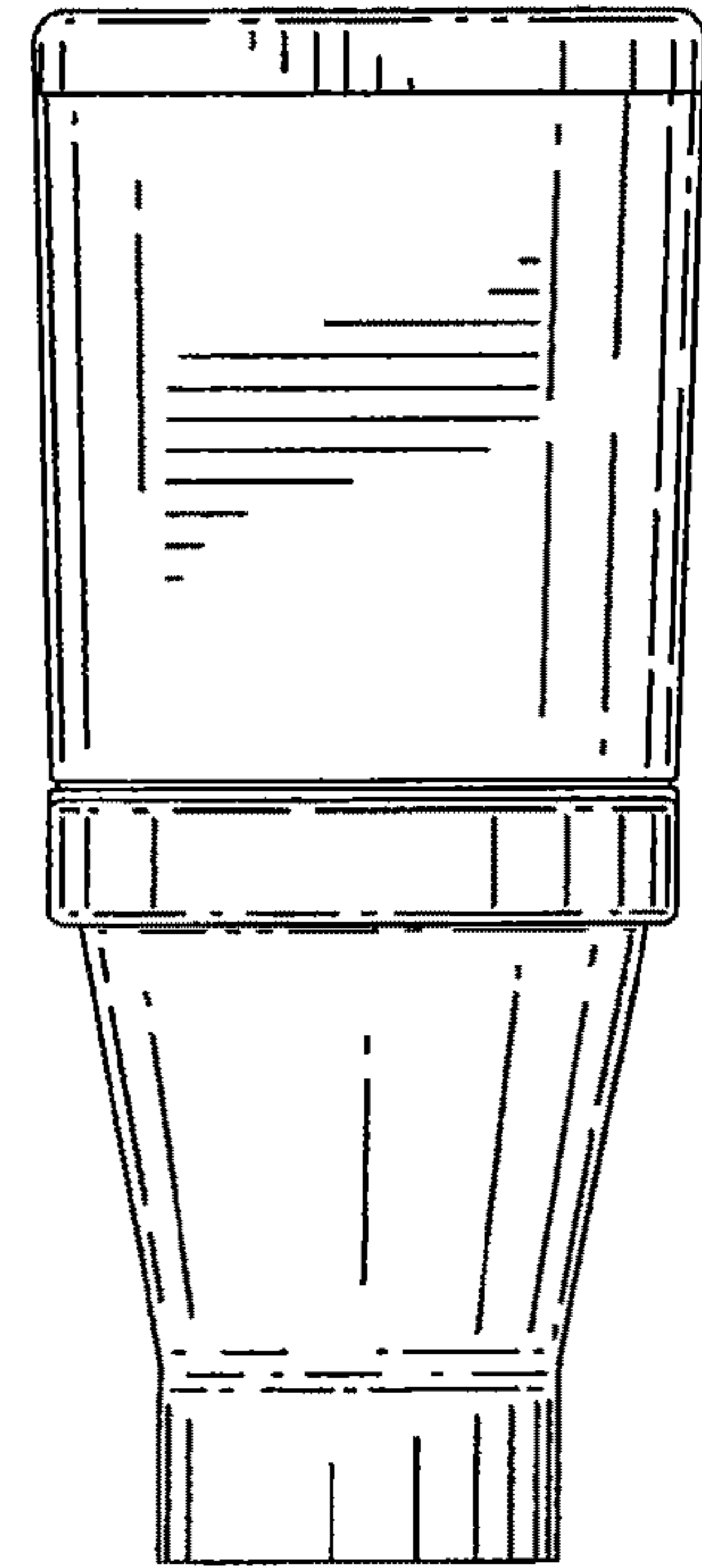


FIG. 2

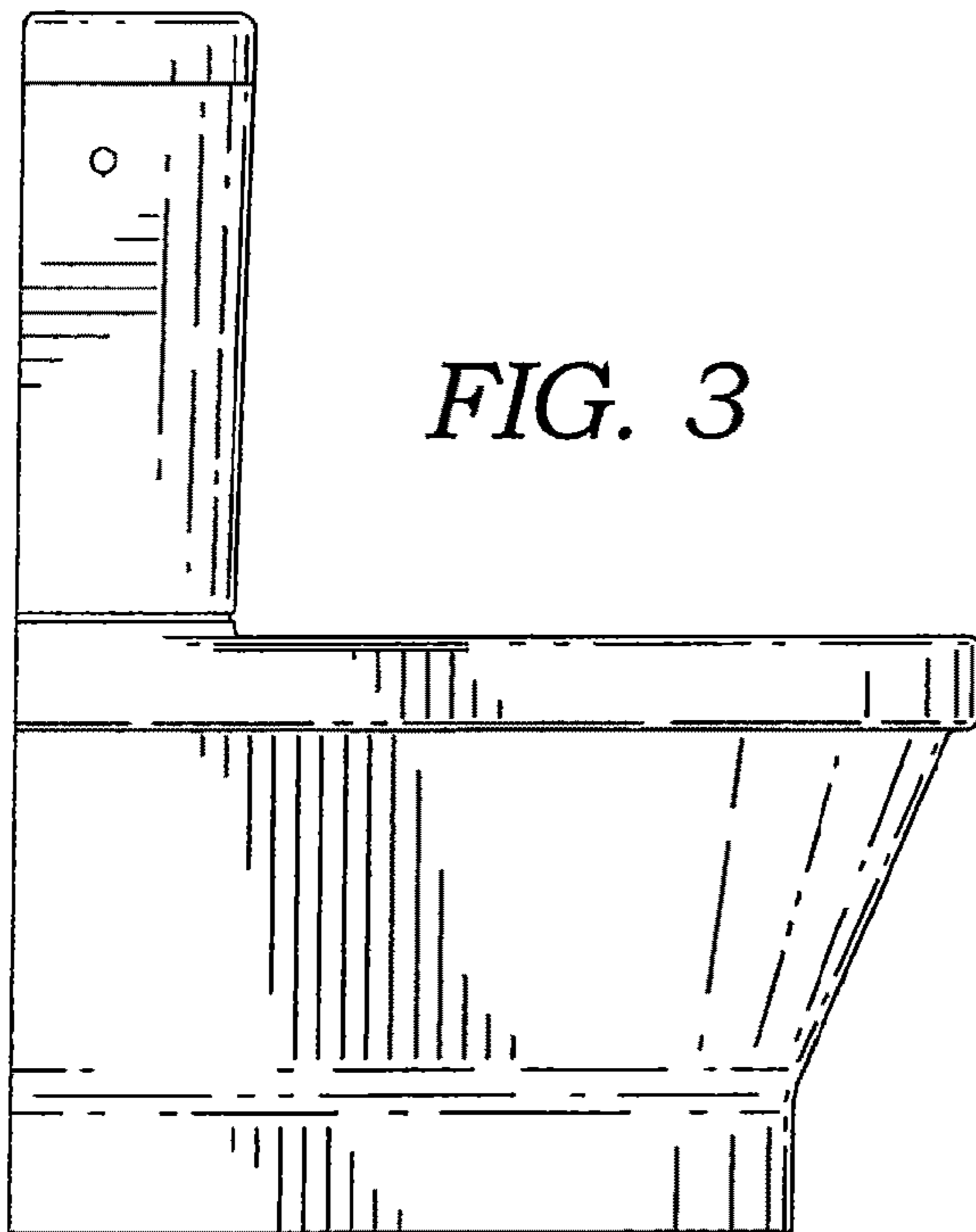


FIG. 3