

US00D646360S

(12) **United States Design Patent**
Shieh

(10) **Patent No.:** **US D646,360 S**

(45) **Date of Patent:** **** Oct. 4, 2011**

(54) **FAUCET SET**

(75) Inventor: **Ming-Dang Shieh**, Chang Hua Hsien (TW)

(73) Assignee: **Horng Lai Industrial Co., Ltd.**, Chang Hua Hsien (TW)

(**) Term: **14 Years**

(21) Appl. No.: **29/376,467**

(22) Filed: **Oct. 7, 2010**

(51) **LOC (9) Cl.** **02-01**

(52) **U.S. Cl.** **D23/242**

(58) **Field of Classification Search** D23/255,
D23/257, 238-243; 4/678; 137/801
See application file for complete search history.

(56) **References Cited**

U.S. PATENT DOCUMENTS

D465,558 S	*	11/2002	Ouyoung	D23/242
D476,721 S	*	7/2003	Ouyoung	D23/242
D521,604 S	*	5/2006	Fritz	D23/241
D532,085 S	*	11/2006	Svendsen et al.	D23/241
D621,004 S	*	8/2010	Kulig	D23/238

* cited by examiner

Primary Examiner — Robert Delehanty

(74) *Attorney, Agent, or Firm* — Alan Kamrath; Kamrath & Associates PA

(57) **CLAIM**

The ornamental design for a faucet set, as shown and described.

DESCRIPTION

FIG. 1 is a perspective view of a faucet set showing my design;

FIG. 2 is a front elevational view thereof;

FIG. 3 is a rear elevational view thereof;

FIG. 4 is a left side elevational view thereof;

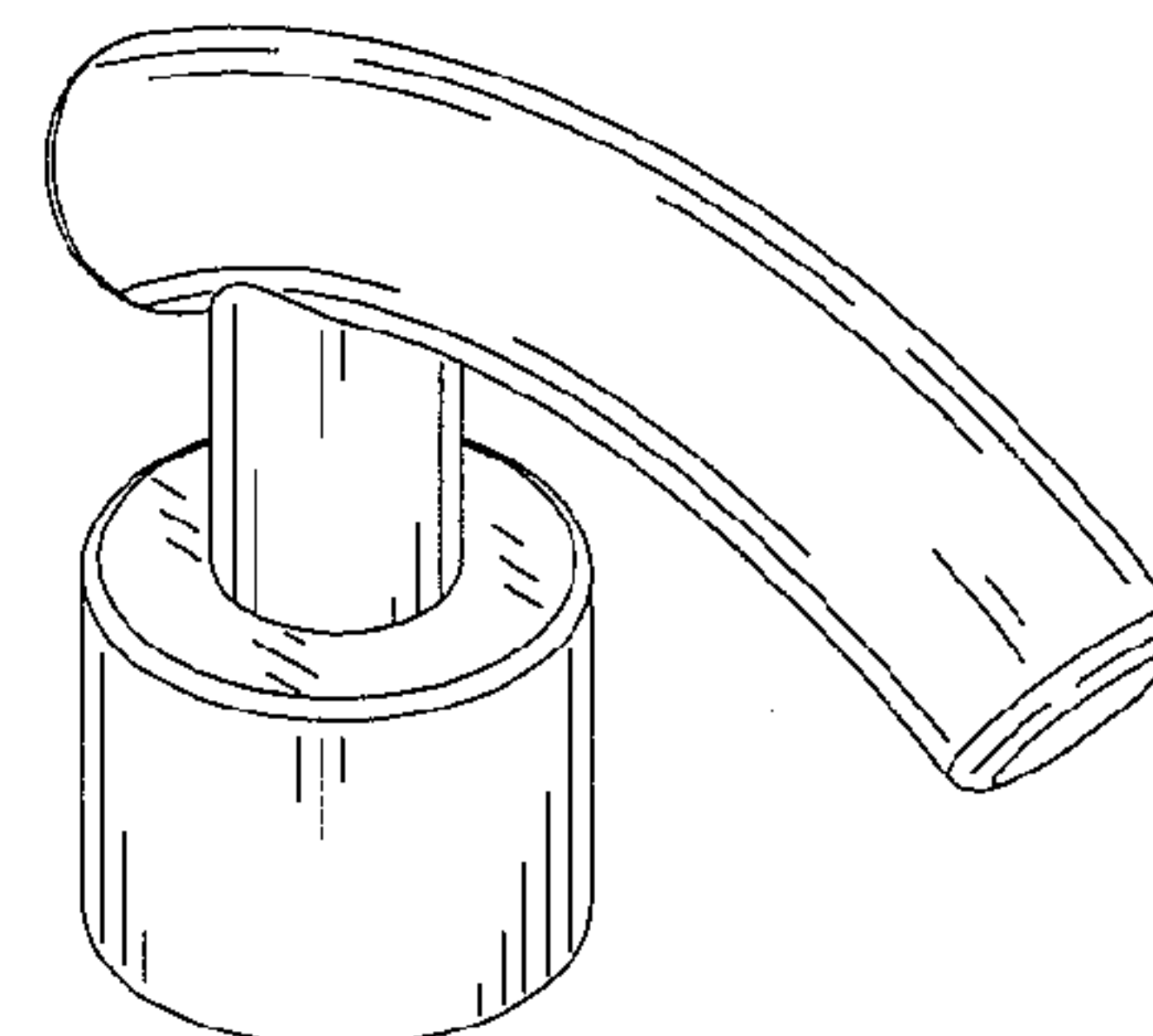
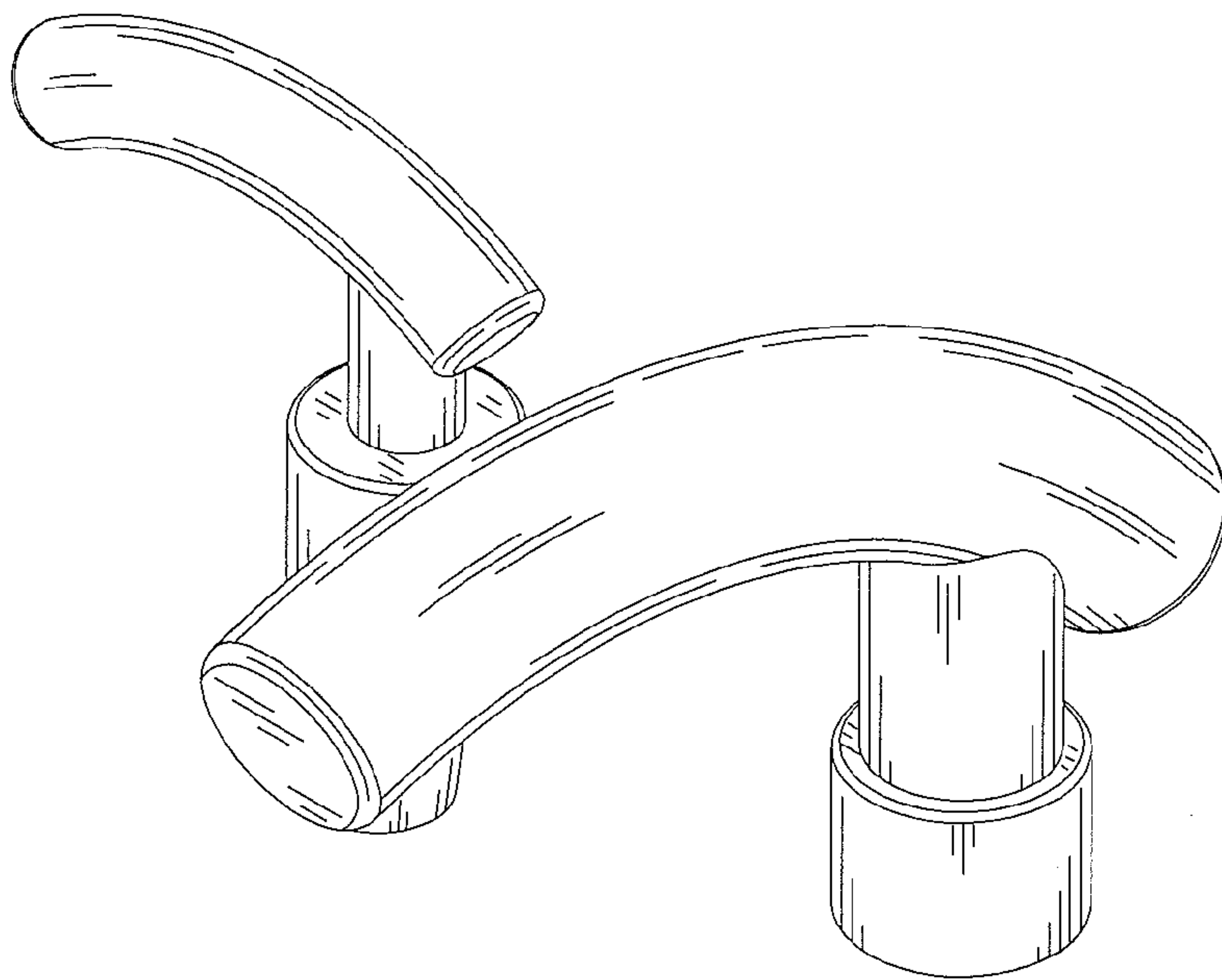
FIG. 5 is a right side elevational view thereof;

FIG. 6 is a top plan view thereof;

FIG. 7 is another perspective view of an embodiment thereof, with the broken-line disclosure of faucet set base being for illustrative purposes only and forming no part of the claimed design; and,

FIG. 8 is another perspective view of another embodiment thereof, with the broken-line disclosure of faucet set base being for illustrative purposes only and forming no part of the claimed design.

1 Claim, 7 Drawing Sheets



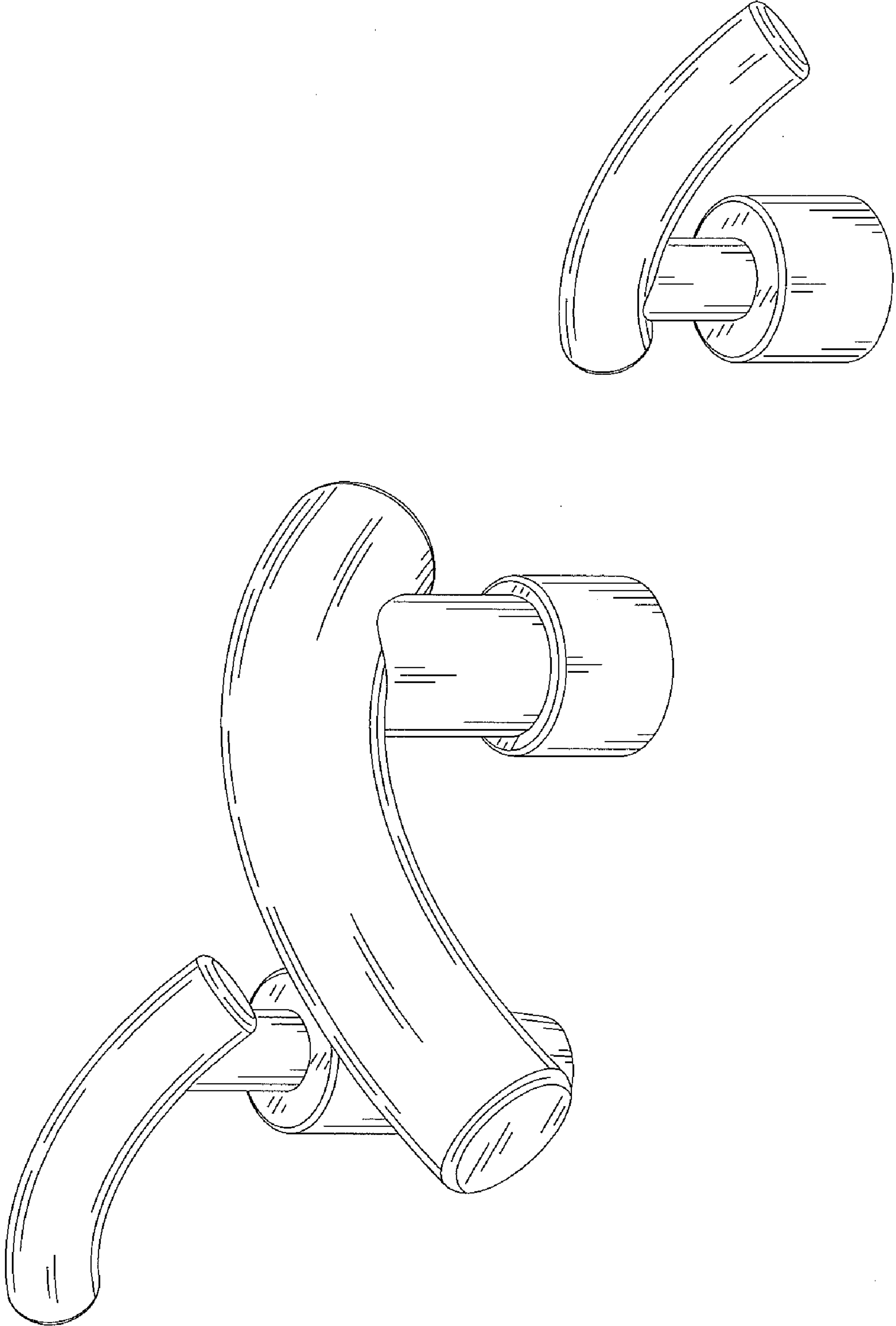


FIG. 1

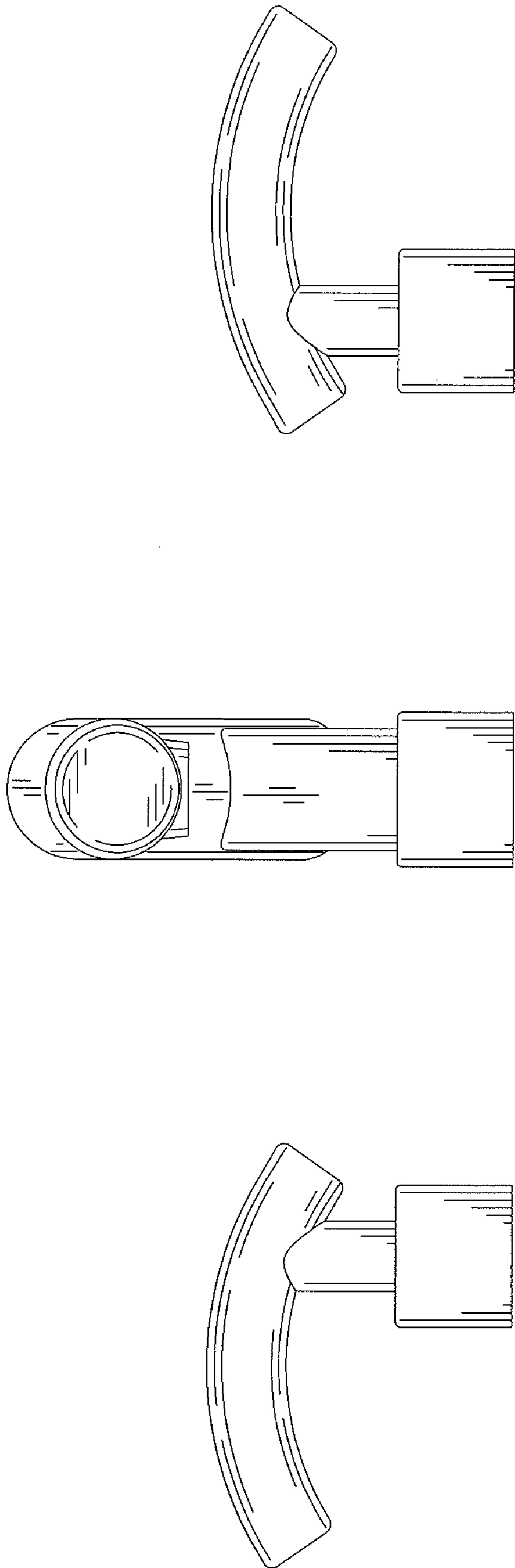
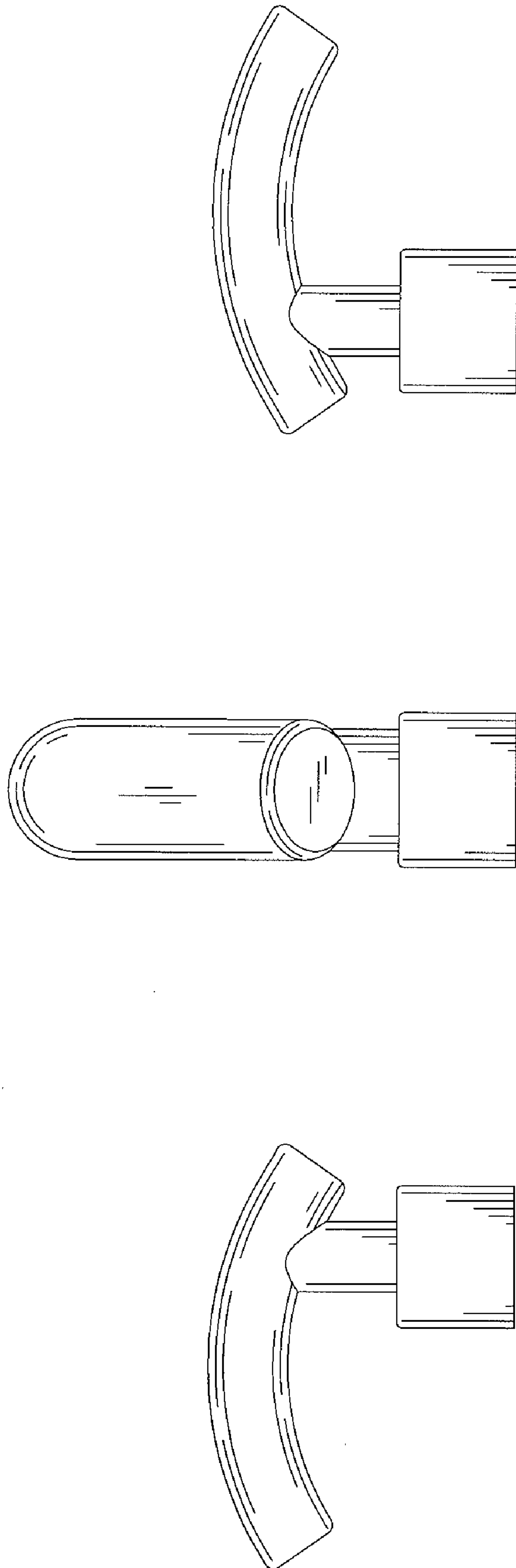


FIG. 2



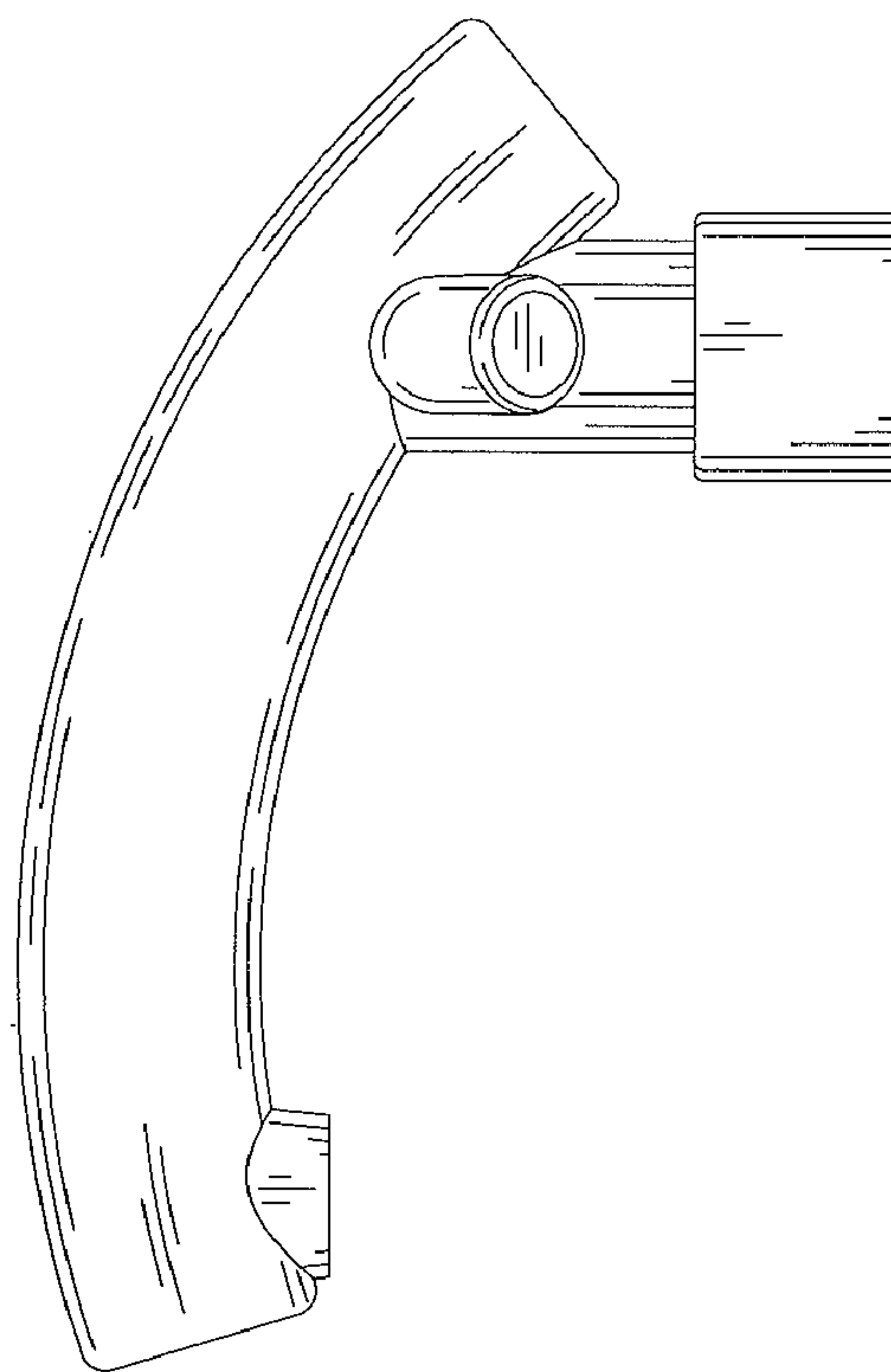


FIG. 5

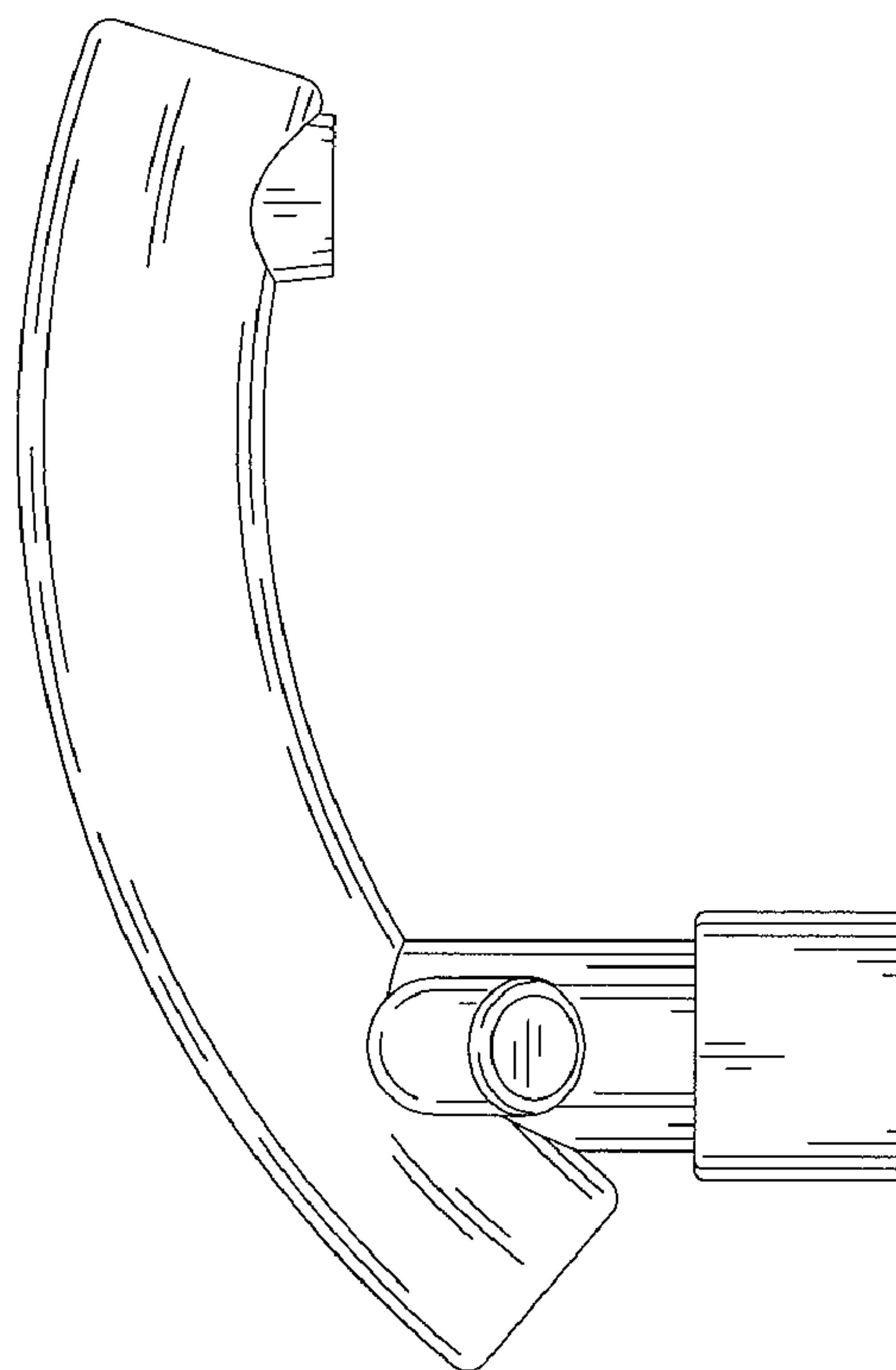


FIG. 4

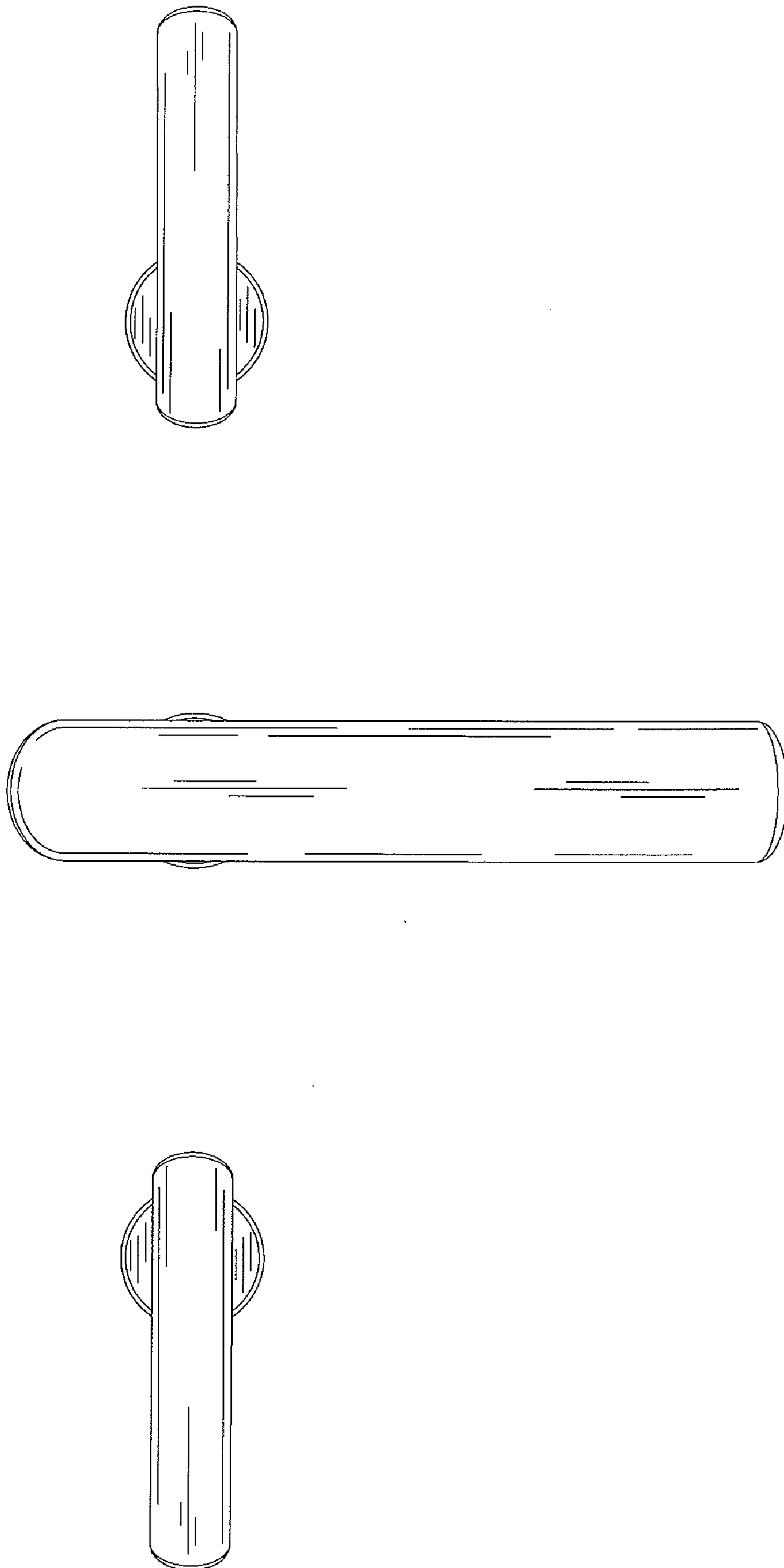


FIG. 6

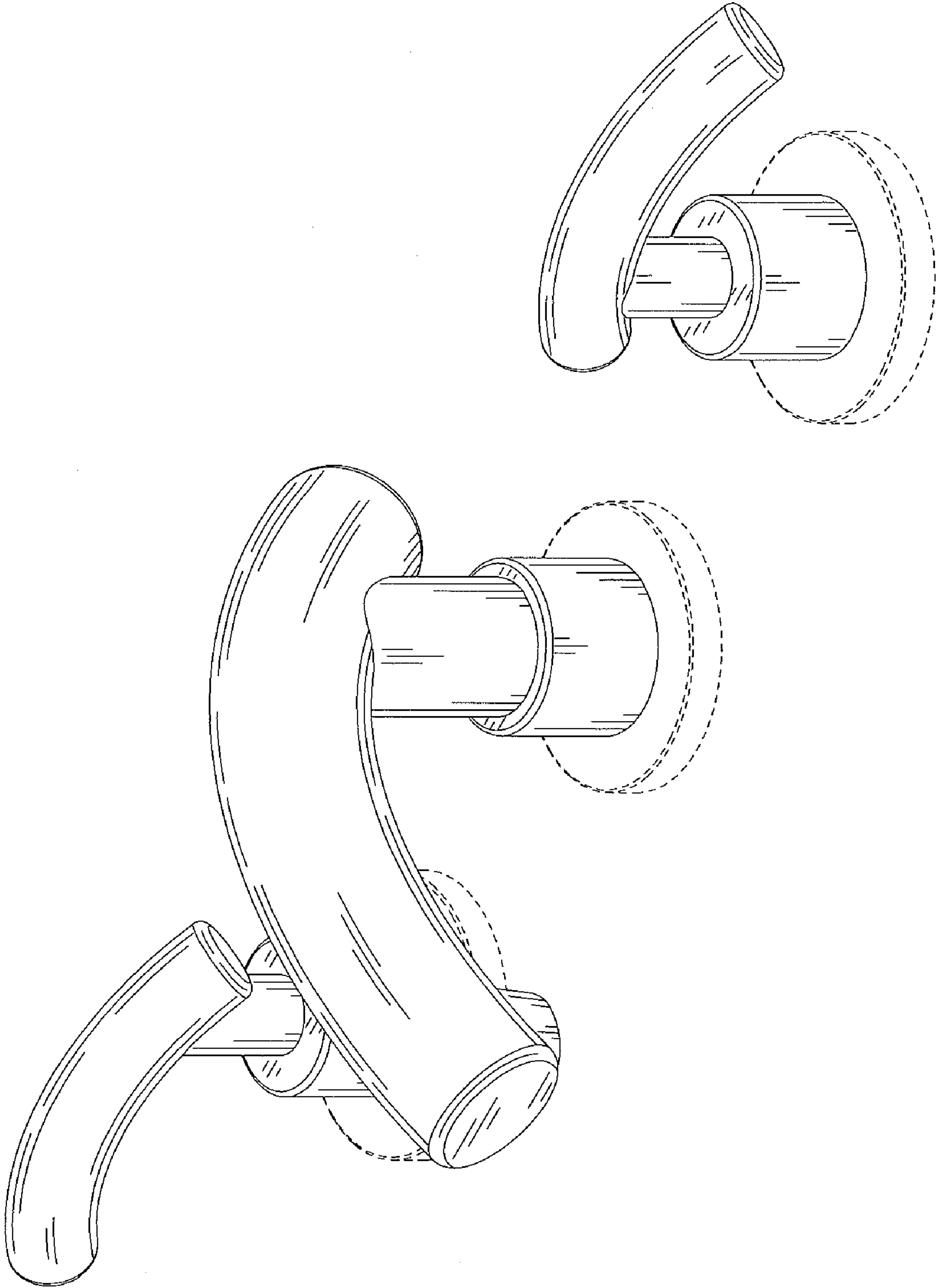


FIG. 7

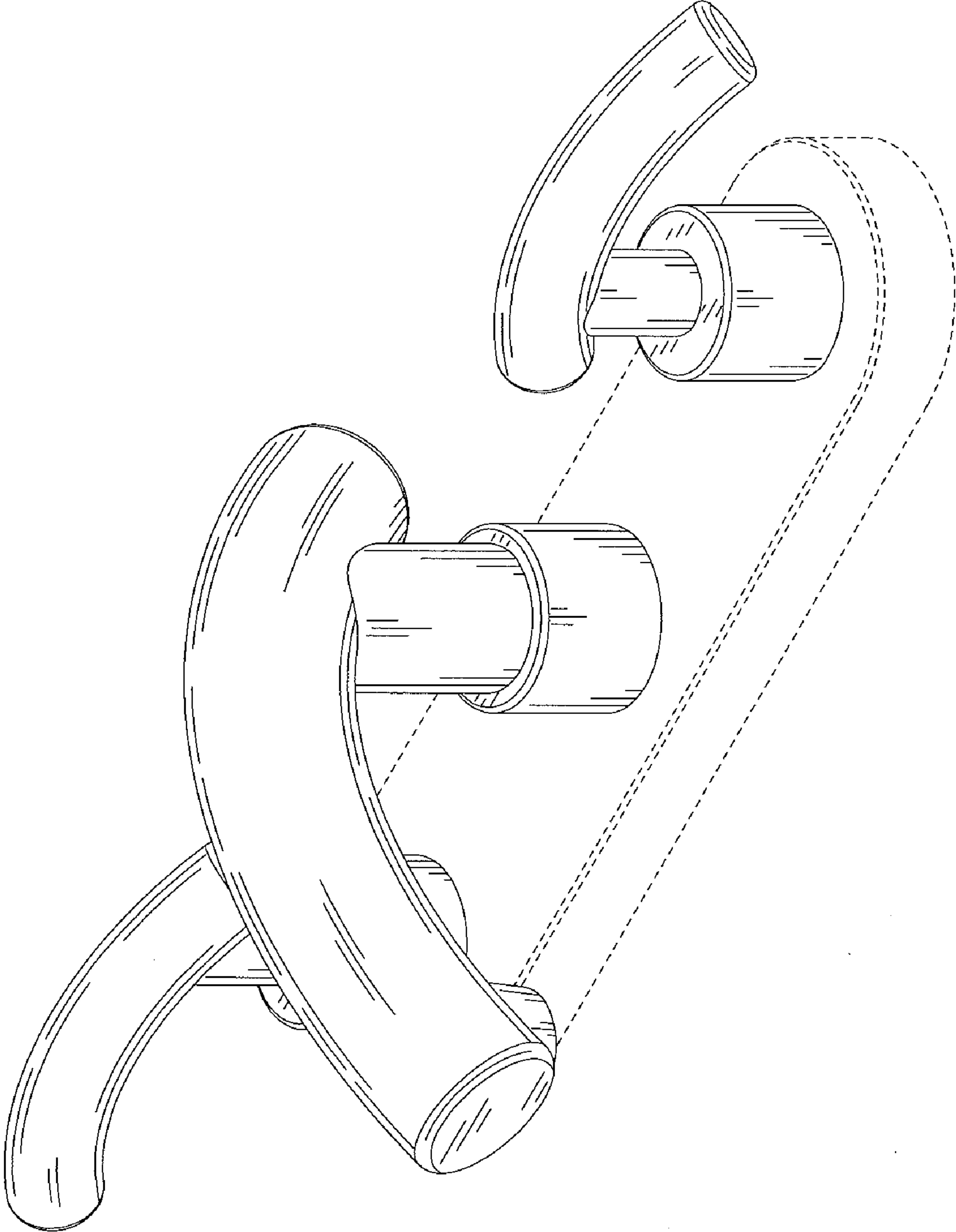


FIG. 8