



US00D646358S

(12) **United States Design Patent**
Sieger

(10) **Patent No.:** **US D646,358 S**

(45) **Date of Patent:** **** Oct. 4, 2011**

(54) **HOT-WATER DISPENSER**

(75) Inventor: **Michael Sieger**, Sassenberg (DE)

(73) Assignee: **Aloys F. Dornbracht GmbH & Co. KG**, Iserlohn (DE)

(**) Term: **14 Years**

(21) Appl. No.: **29/394,061**

(22) Filed: **Jun. 13, 2011**

Related U.S. Application Data

(62) Division of application No. 29/363,586, filed on Jun. 11, 2010.

(30) **Foreign Application Priority Data**

Jan. 7, 2010 (EM) 001188064-0005
Jan. 7, 2010 (EM) 001188064-0006
Jan. 7, 2010 (EM) 001188064-0007

(51) **LOC (9) Cl.** **23-01**

(52) **U.S. Cl.** **D23/238**

(58) **Field of Classification Search** D23/238,
D23/241-243, 250, 252, 255, 257; 4/676-678;
137/801

See application file for complete search history.

(56) **References Cited**

U.S. PATENT DOCUMENTS

D534,991 S *	1/2007	Sieger	D23/238
D580,527 S *	11/2008	Zhang	D23/255
D589,121 S *	3/2009	McKeone	D23/238
D606,173 S *	12/2009	Sieger	D23/255
D612,910 S *	3/2010	Lammel et al.	D23/238
D624,991 S *	10/2010	Kulig	D23/242
D626,198 S *	10/2010	Lammel et al.	D23/238

* cited by examiner

Primary Examiner — Robert Delehanty

(74) *Attorney, Agent, or Firm* — Andrew Wilford

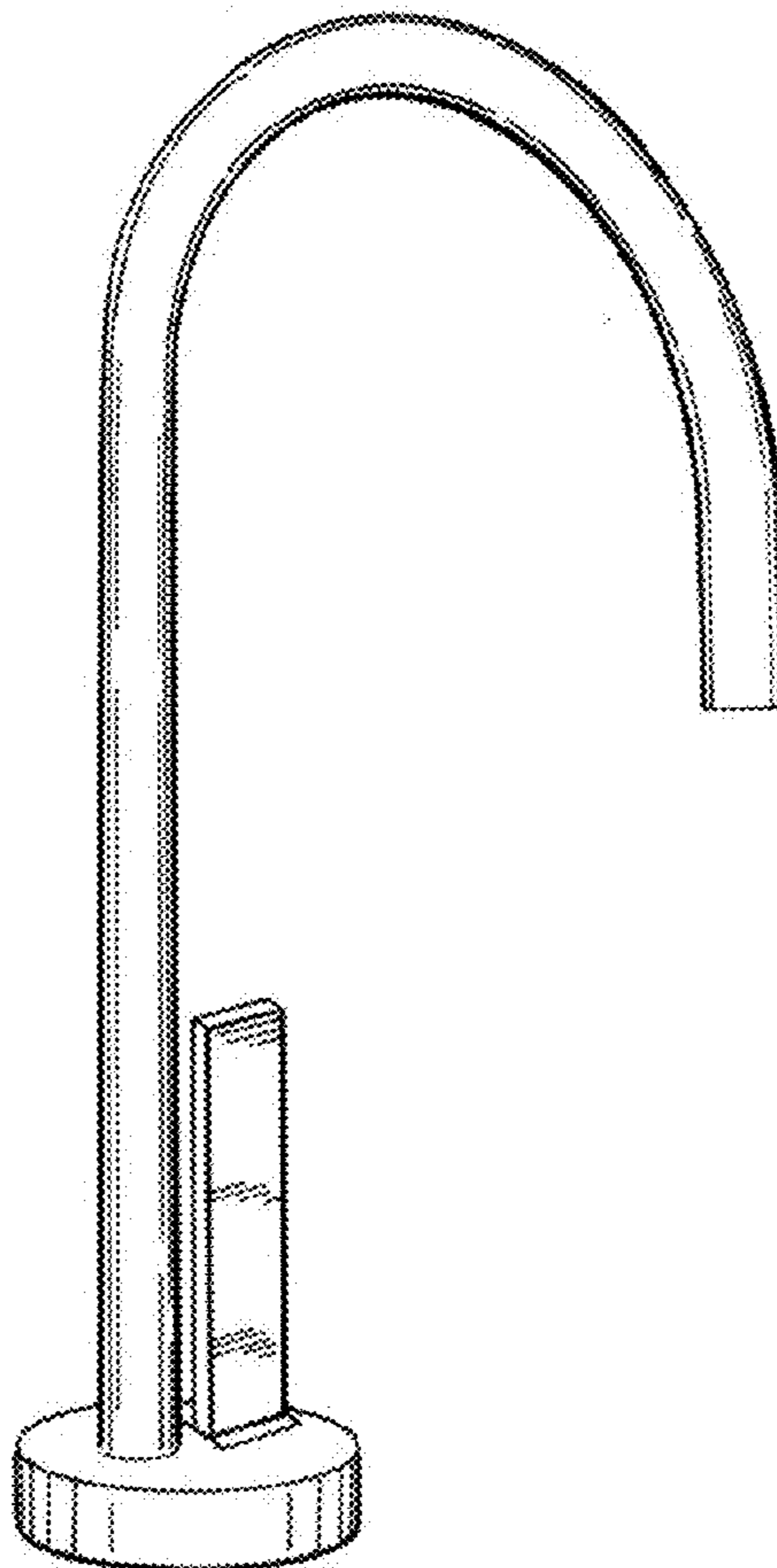
(57) **CLAIM**

The ornamental design for a hot-water dispenser, as shown and described.

DESCRIPTION

FIG. 1 is a left front perspective view of the invention; FIG. 2 is a right front perspective view of the invention; FIG. 3 is a right-side elevational view of the invention; FIG. 4 is a front elevational view of the invention; FIG. 5 is a left-side elevational view of the invention; FIG. 6 is a back elevational view of the invention; and, FIG. 7 is a top view of the invention.

1 Claim, 3 Drawing Sheets



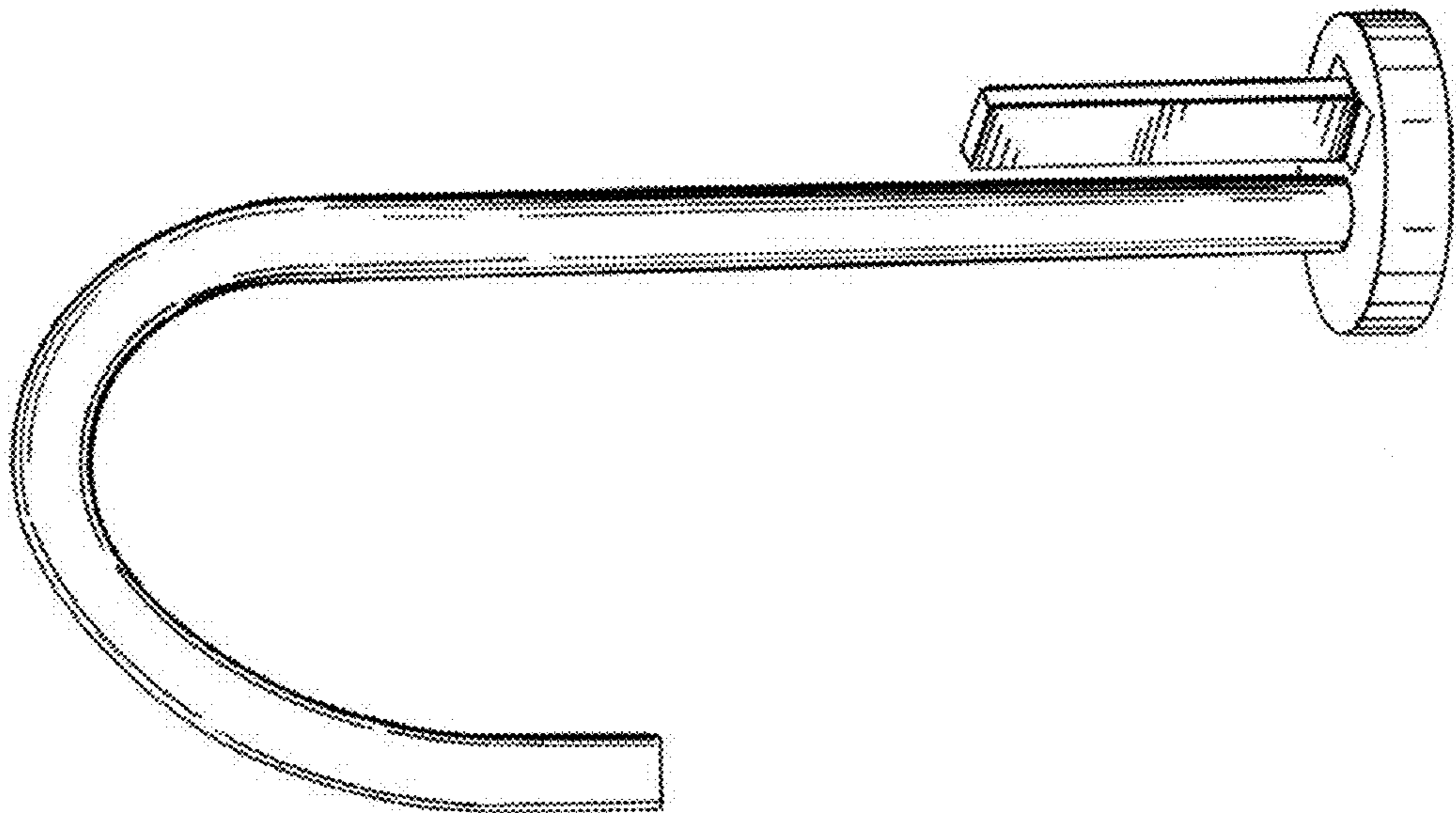


Fig. 1

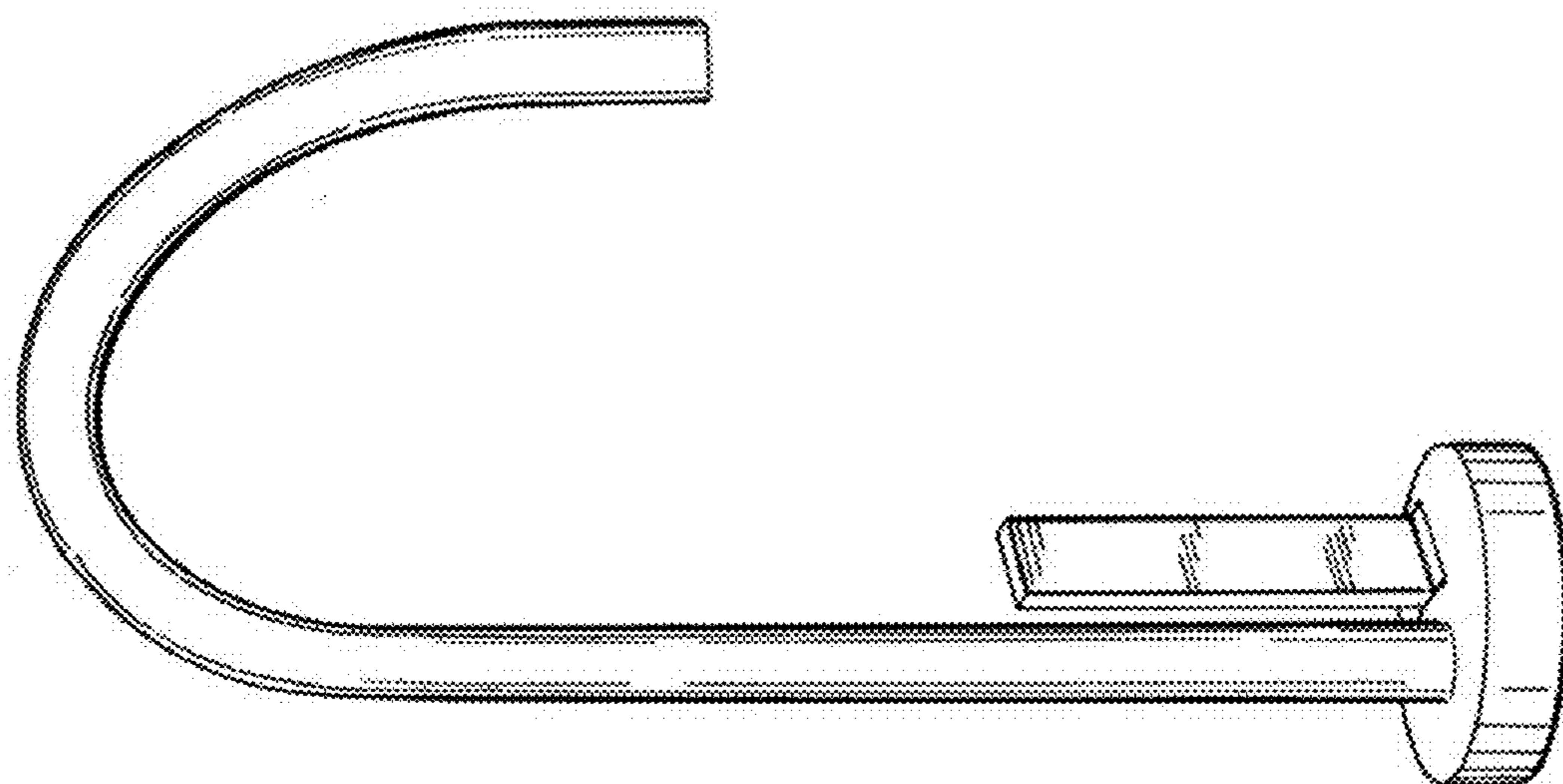


Fig. 2

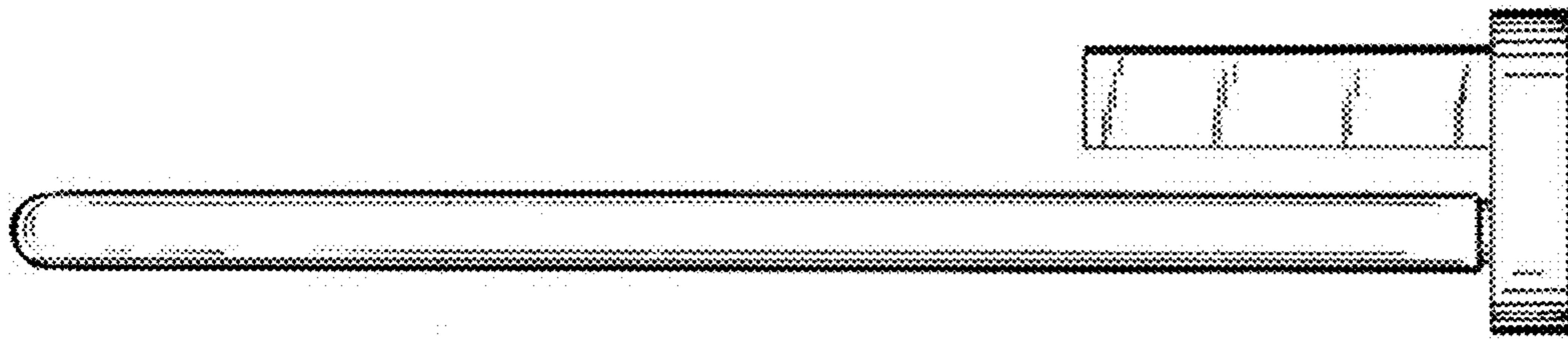


Fig. 4

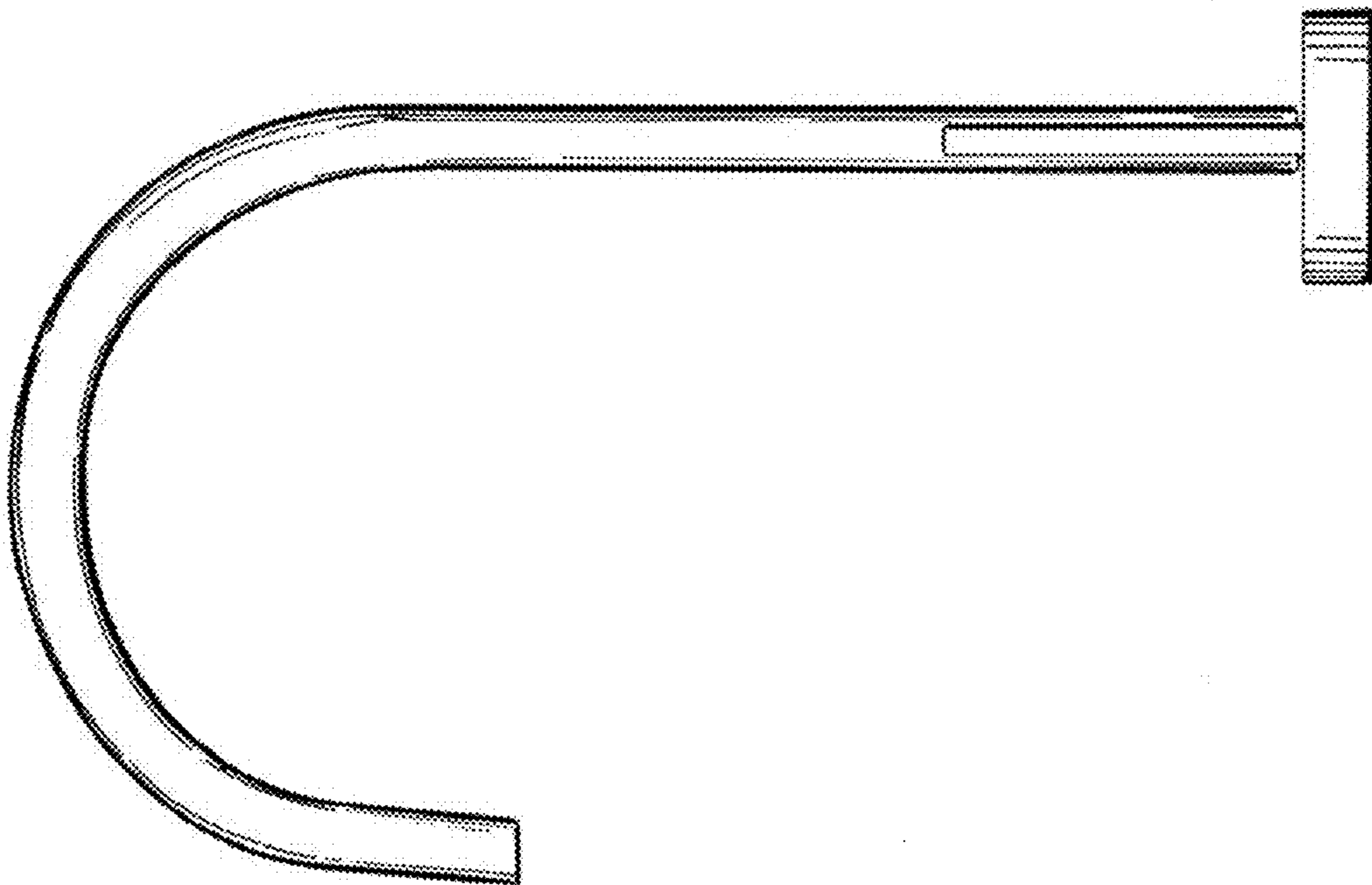


Fig. 3

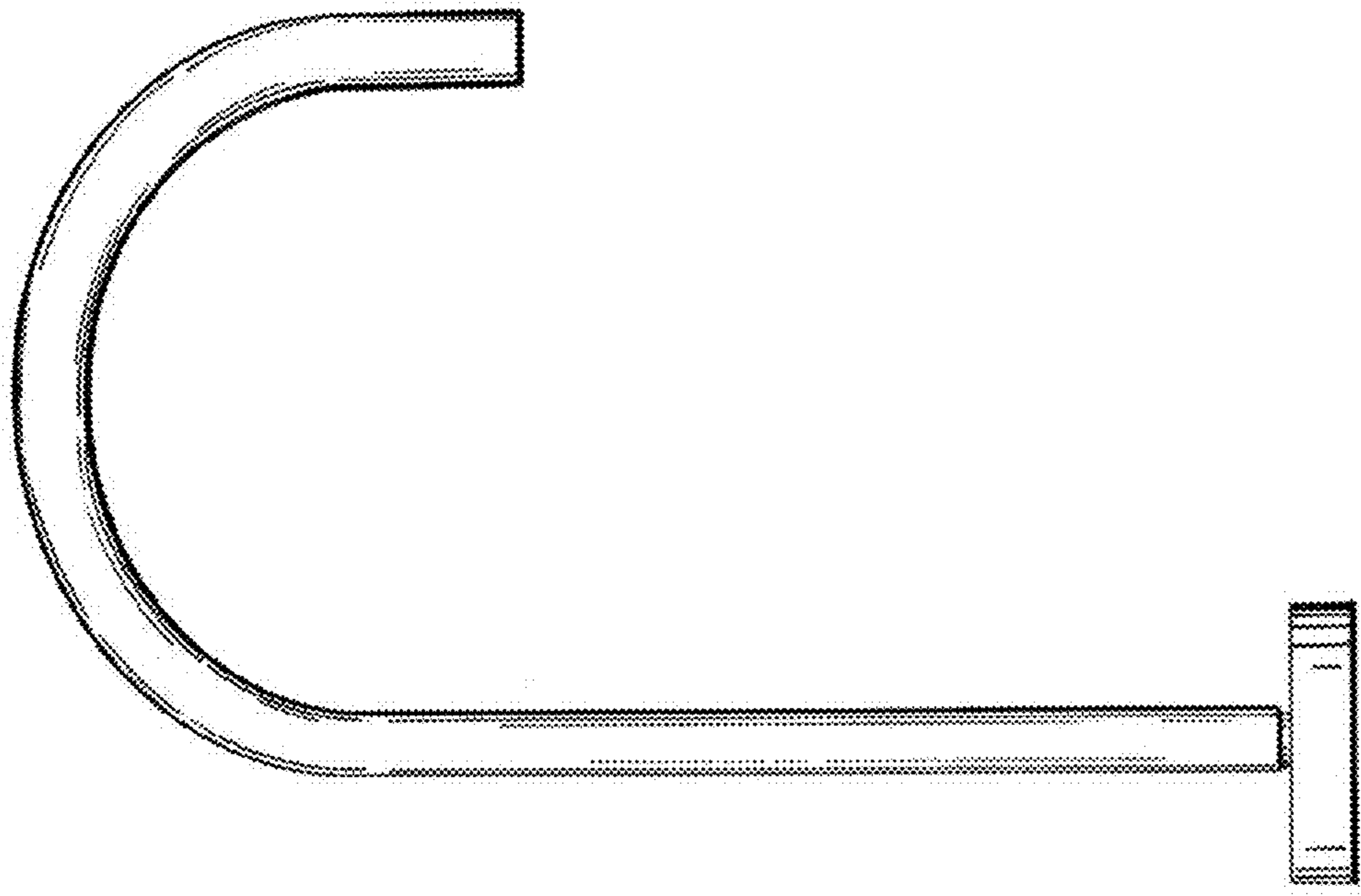


Fig. 6

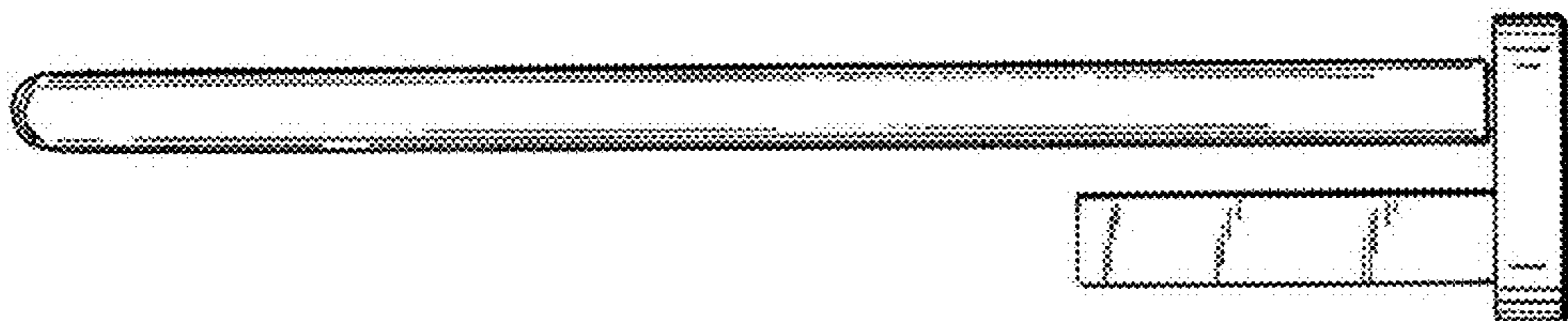


Fig. 5

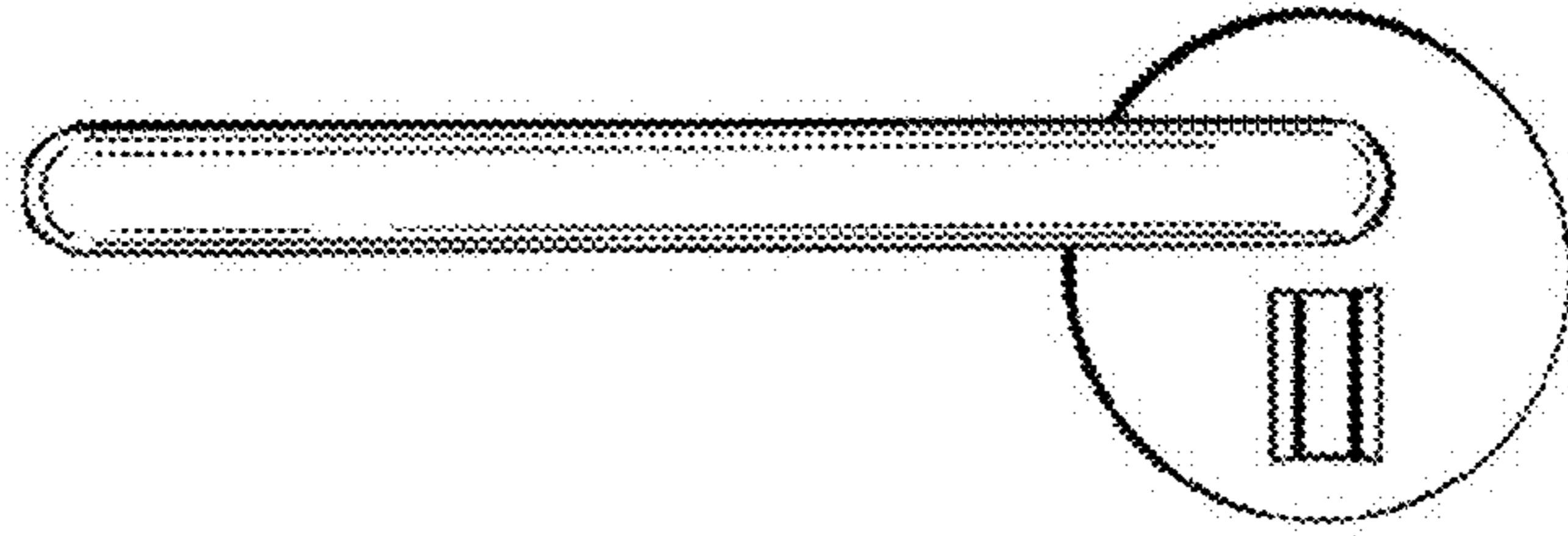


Fig. 7