



US00D646349S

(12) **United States Design Patent**
Davidson et al.

(10) **Patent No.:** **US D646,349 S**

(45) **Date of Patent:** **** Oct. 4, 2011**

(54) **CONTAINER**

(75) Inventors: **Gail Davidson**, Seddon Vic (AU);
Mitchell M. O'Sullivan, Willaura Vic (AU)

(73) Assignee: **Waterwall International Pty Ltd.**,
Victoria (AU)

(**) Term: **14 Years**

(21) Appl. No.: **29/341,655**

(22) Filed: **Aug. 10, 2009**

(30) **Foreign Application Priority Data**

Feb. 10, 2009 (AU) 10373/2009
Feb. 10, 2009 (AU) 10374/2009

(51) **LOC (9) Cl.** **23-01**

(52) **U.S. Cl.** **D23/202**

(58) **Field of Classification Search** D23/202,
D23/203; 220/565, 586, 587; 210/532.2
See application file for complete search history.

(56) **References Cited**

U.S. PATENT DOCUMENTS

2,341,044 A * 2/1944 Jackson et al. 220/584
D190,773 S * 6/1961 Koch D23/202
D229,612 S * 12/1973 German D12/218
D240,530 S * 7/1976 Kubik D23/202
D293,705 S * 1/1988 Sayward D23/202

D344,571 S * 2/1994 Peasley D23/202
6,371,323 B1 * 4/2002 Fernandes 220/62.22
D603,932 S * 11/2009 Natrass et al. D23/202
D604,799 S * 11/2009 Sand et al. D23/207
7,837,865 B2 * 11/2010 Wadstrom 210/85

* cited by examiner

Primary Examiner — Robin V Webster

(74) *Attorney, Agent, or Firm* — Ohlandt, Greeley, Ruggiero
& Perle, LLP

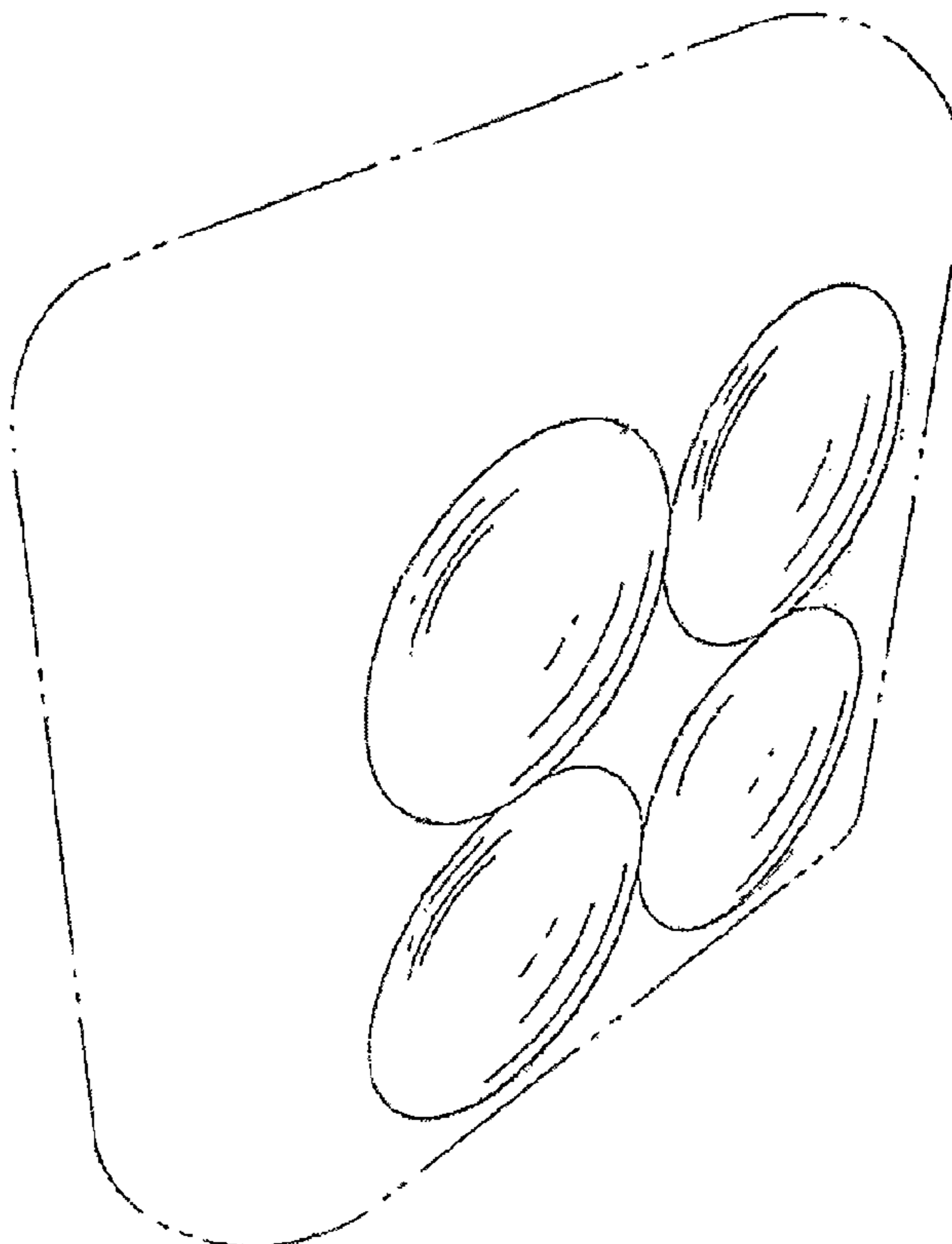
(57) **CLAIM**

The ornamental design for the a container, as shown and described.

DESCRIPTION

FIG. 1 is a front, perspective view of the container according to the present design;
FIG. 2 is a rear, perspective view of the container of FIG. 1;
FIG. 3 is a top view of the container of FIG. 1;
FIG. 4 is a front view of the container of FIG. 1;
FIG. 5 is a bottom view of the container of FIG. 1;
FIG. 6 is a rear view of the container of FIG. 1;
FIG. 7 is a left side views the container of FIG. 6;
FIG. 8 is a right side view of the container of FIG. 6;
FIG. 9 is a perspective section view, taken along line 9-9 of FIG. 6; and,
FIG. 10 is perspective section view, taken along line 10-10 of FIG. 6.

1 Claim, 4 Drawing Sheets



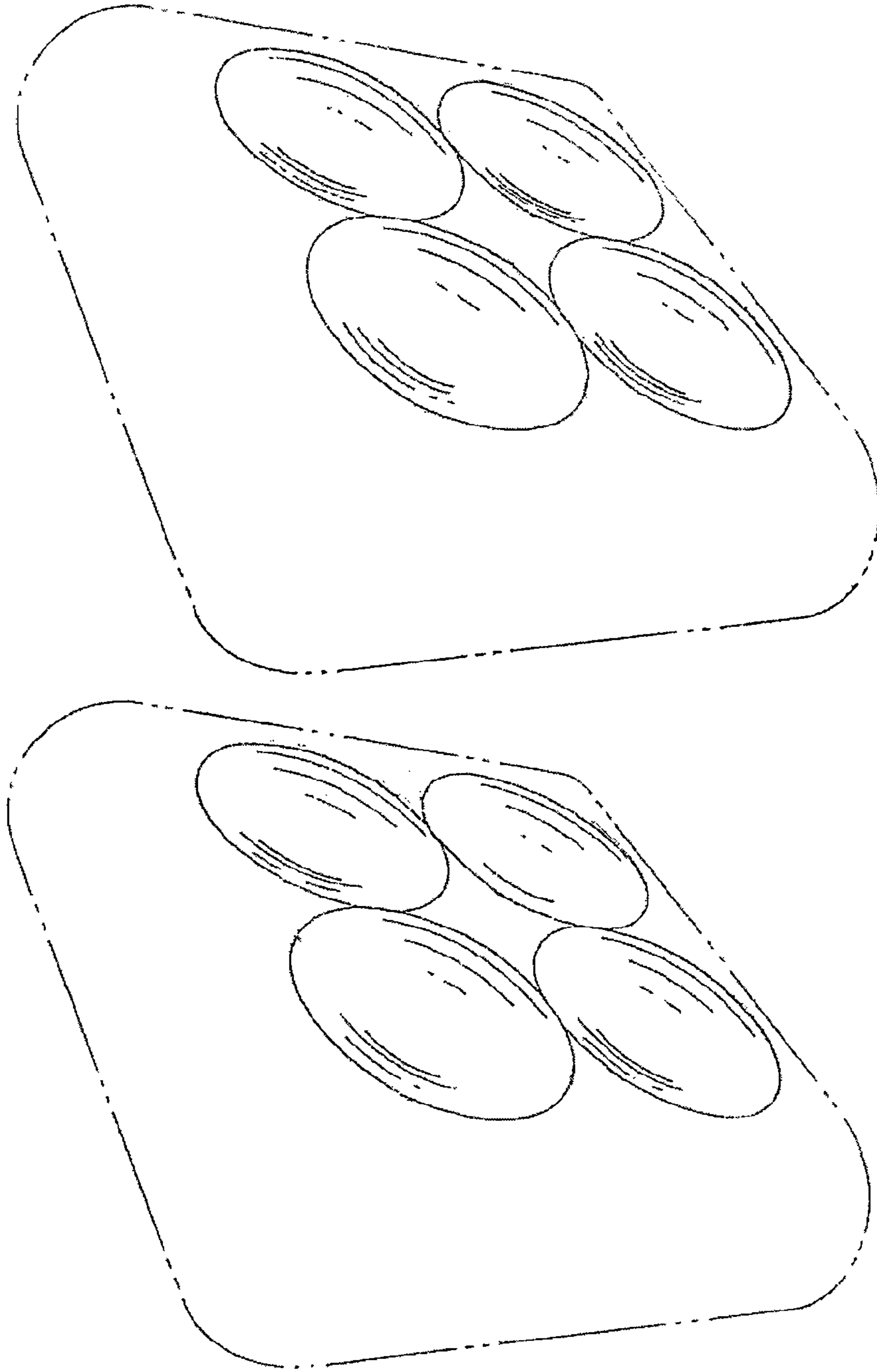


FIG.1

FIG.2

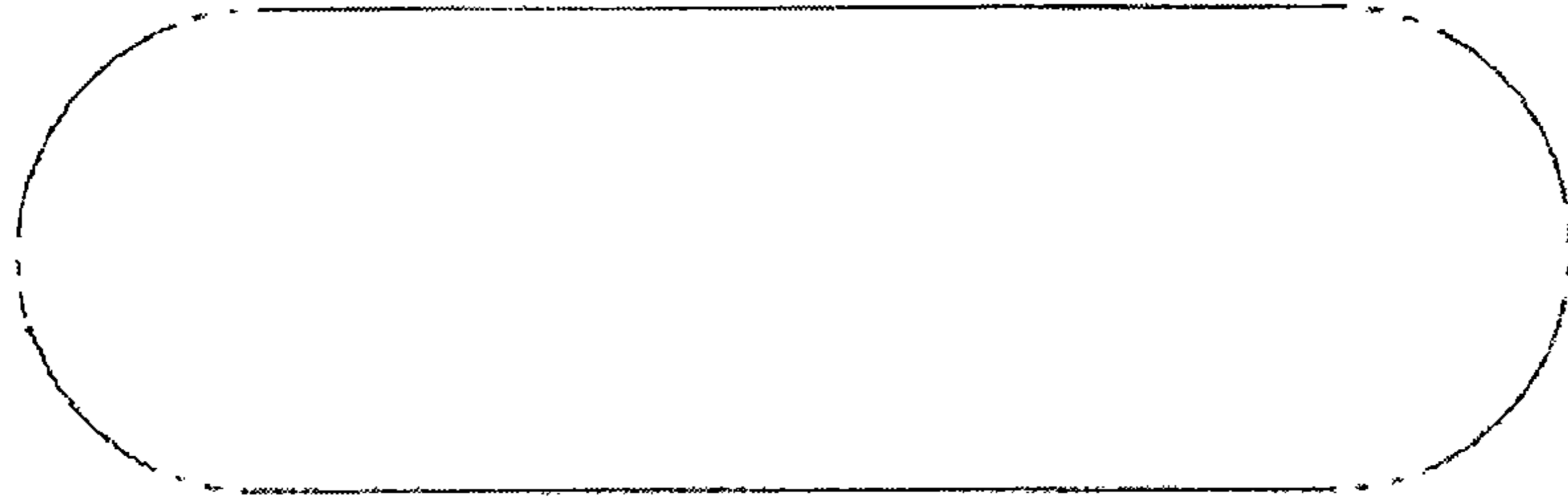


FIG. 3

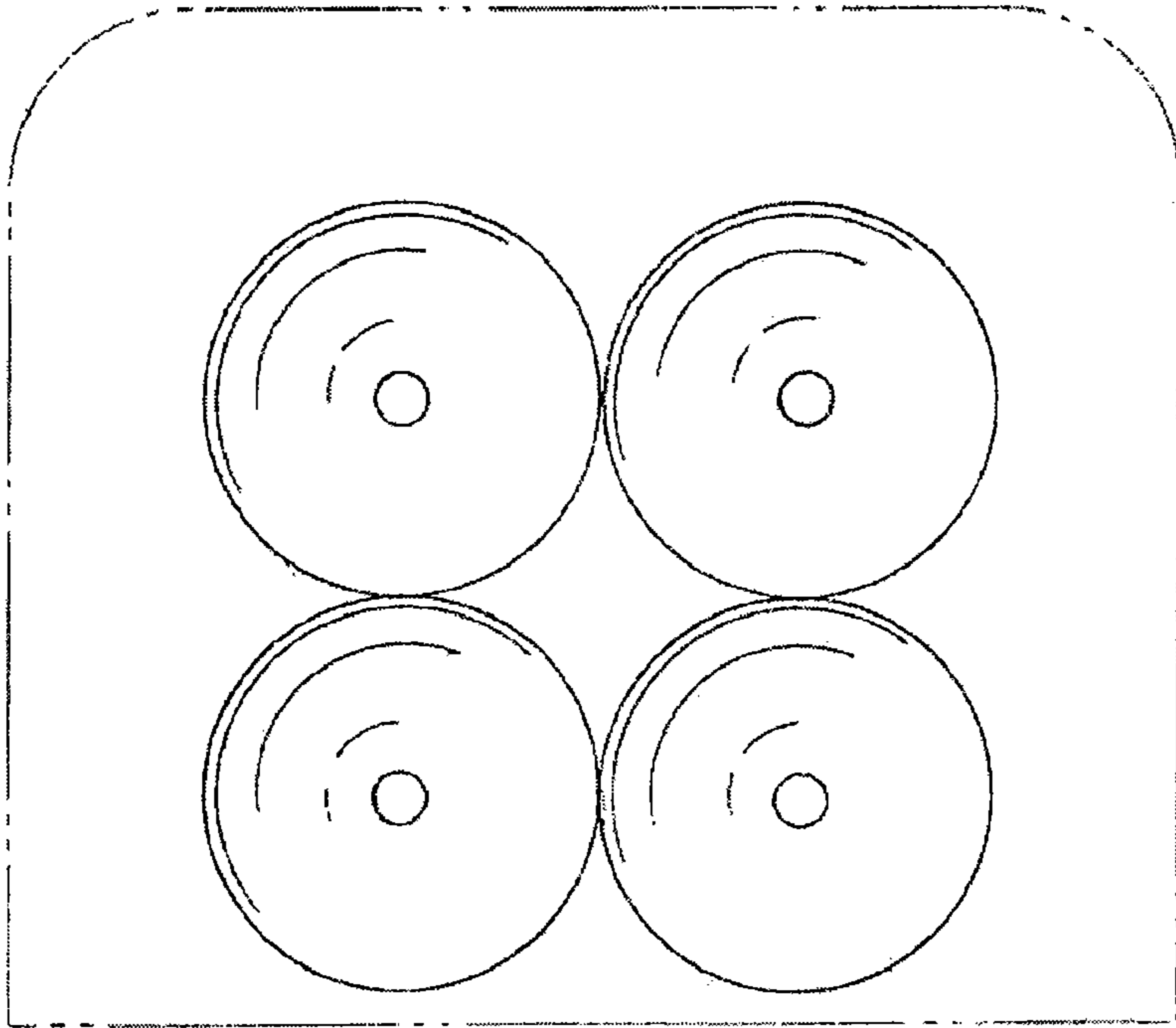


FIG. 4

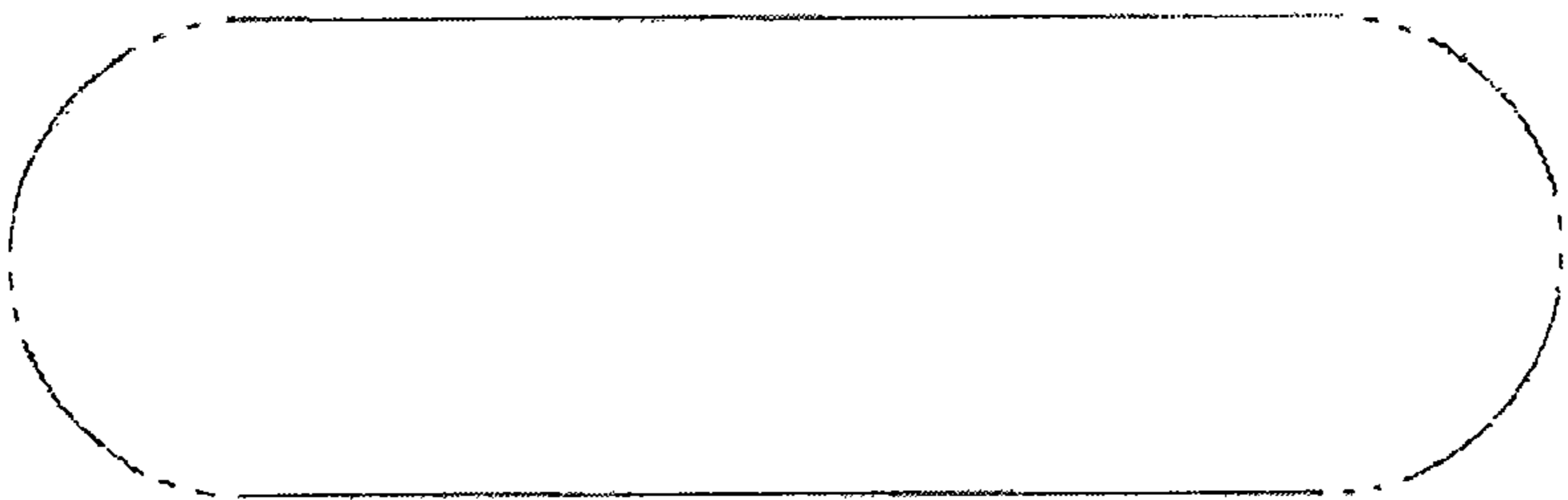


FIG. 5

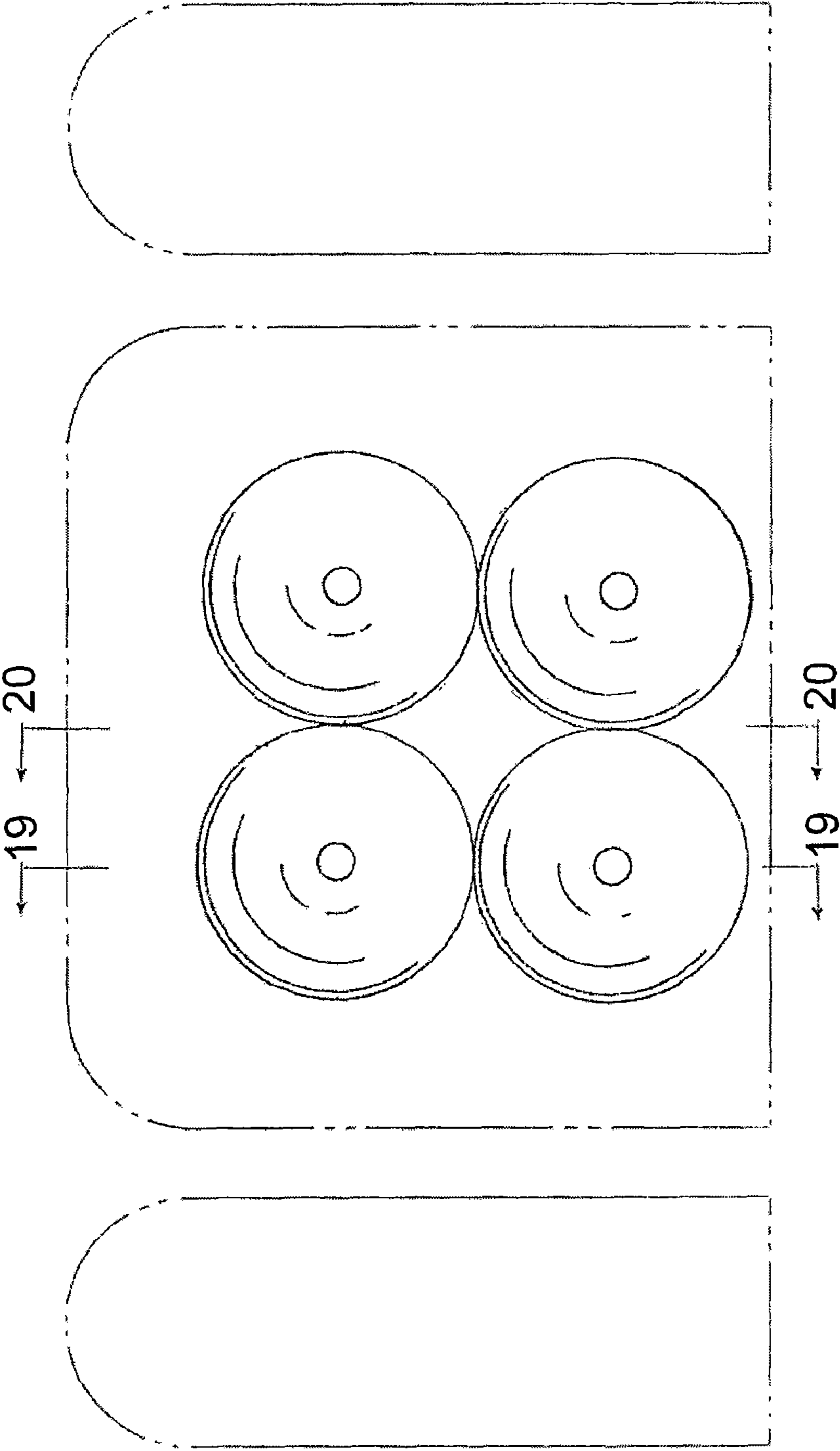


FIG.7

FIG.6

FIG.8

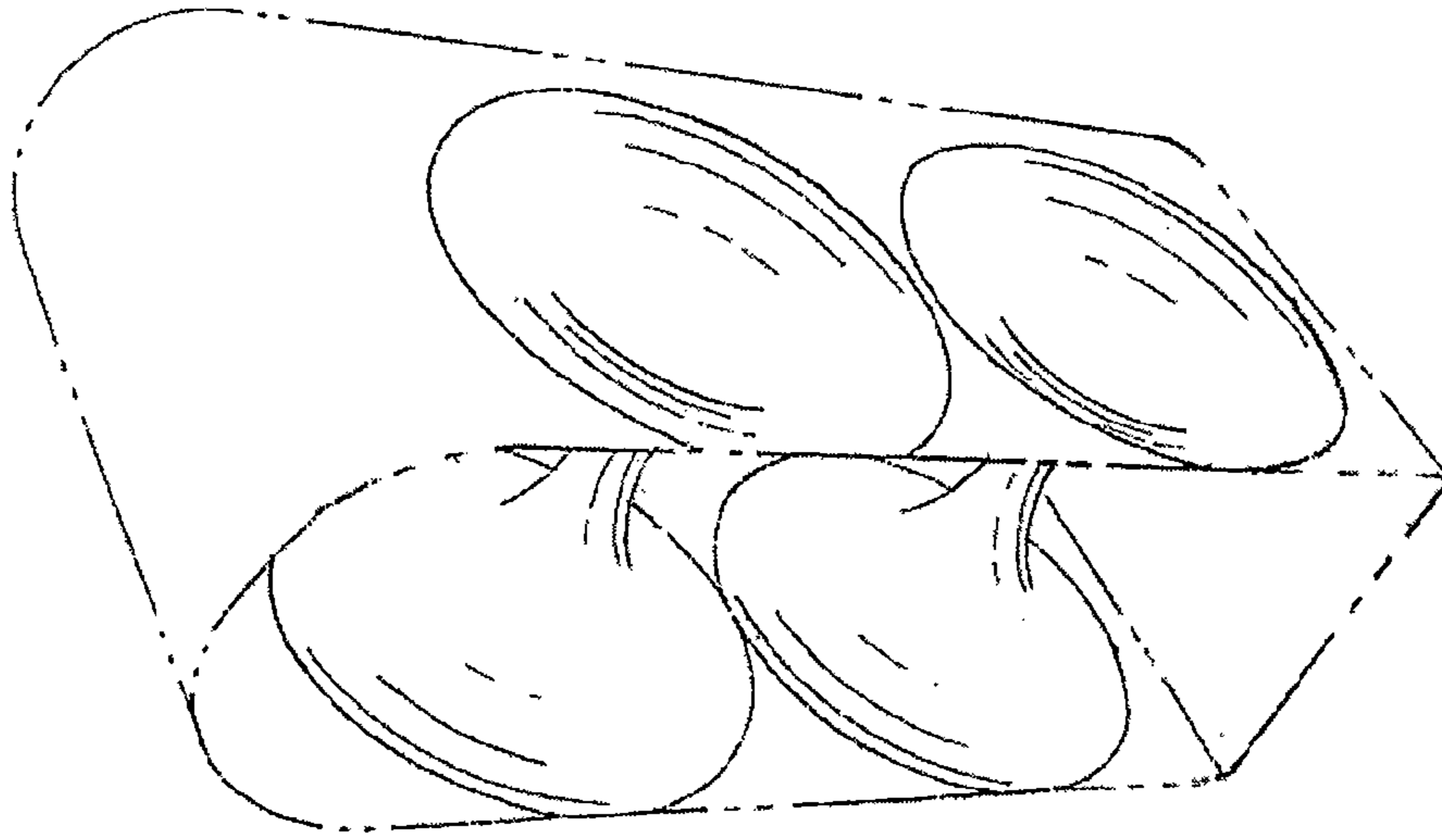


FIG.10

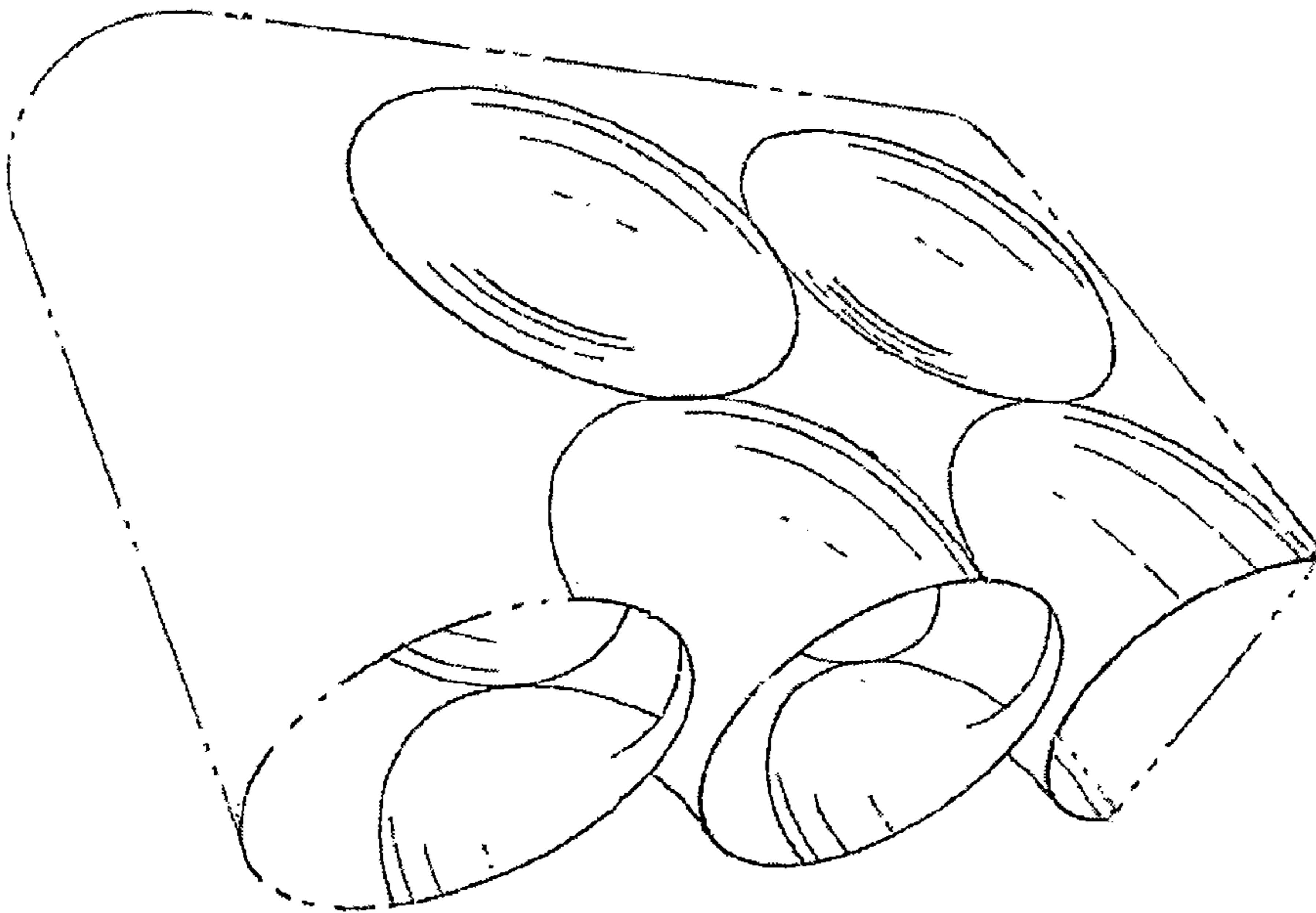


FIG.9