



US00D646348S

(12) **United States Design Patent**  
**Whitman et al.**

(10) **Patent No.:** **US D646,348 S**

(45) **Date of Patent:** **\*\* Oct. 4, 2011**

(54) **WATER BOTTLE FOUNTAIN WITH SIDE BUBBLER**

(76) Inventors: **Daniel Whitman**, Chicago, IL (US);  
**Anastasios Karahalios**, Chicago, IL (US);  
**Andrew Burroughs**, Chicago, IL (US)

(\*\*) Term: **14 Years**

(21) Appl. No.: **29/384,581**

(22) Filed: **Feb. 1, 2011**

**Related U.S. Application Data**

(63) Continuation-in-part of application No. 29/351,948,  
filed on Dec. 14, 2009, now Pat. No. Des. 634,394.

(51) **LOC (9) Cl.** ..... **23-01**

(52) **U.S. Cl.** ..... **D23/201; D7/304**

(58) **Field of Classification Search** ..... D23/201;  
D7/300, 306, 304; 222/129; 141/372, 373;  
239/16-21, 24, 31

See application file for complete search history.

(56) **References Cited**

**U.S. PATENT DOCUMENTS**

D257,980 S \* 1/1981 Sorensen ..... D7/304  
D312,020 S \* 11/1990 Legault ..... D7/306

D473,628 S \* 4/2003 Tracy ..... D23/201  
D482,227 S \* 11/2003 Walton ..... D7/306  
D600,060 S \* 9/2009 Fletcher et al. .... D7/306  
D608,130 S \* 1/2010 Moon et al. .... D7/306  
2002/0162856 A1 \* 11/2002 Sheridan et al. .... 222/129  
2007/0278243 A1 \* 12/2007 Sleiman ..... 222/1  
2009/0242075 A1 \* 10/2009 Busick et al. .... 141/85

\* cited by examiner

*Primary Examiner* — Robin V Webster

(74) *Attorney, Agent, or Firm* — Blanchard & Associates

(57) **CLAIM**

The ornamental design for a water bottle fountain with side bubbler, as shown and described.

**DESCRIPTION**

FIG. 1 is a perspective view of a water bottle fountain with side bubbler, showing our new, original and ornamental design;

FIG. 2 is a right side elevational view thereof;

FIG. 3 is a top plan view thereof;

FIG. 4 is a left side elevational view thereof;

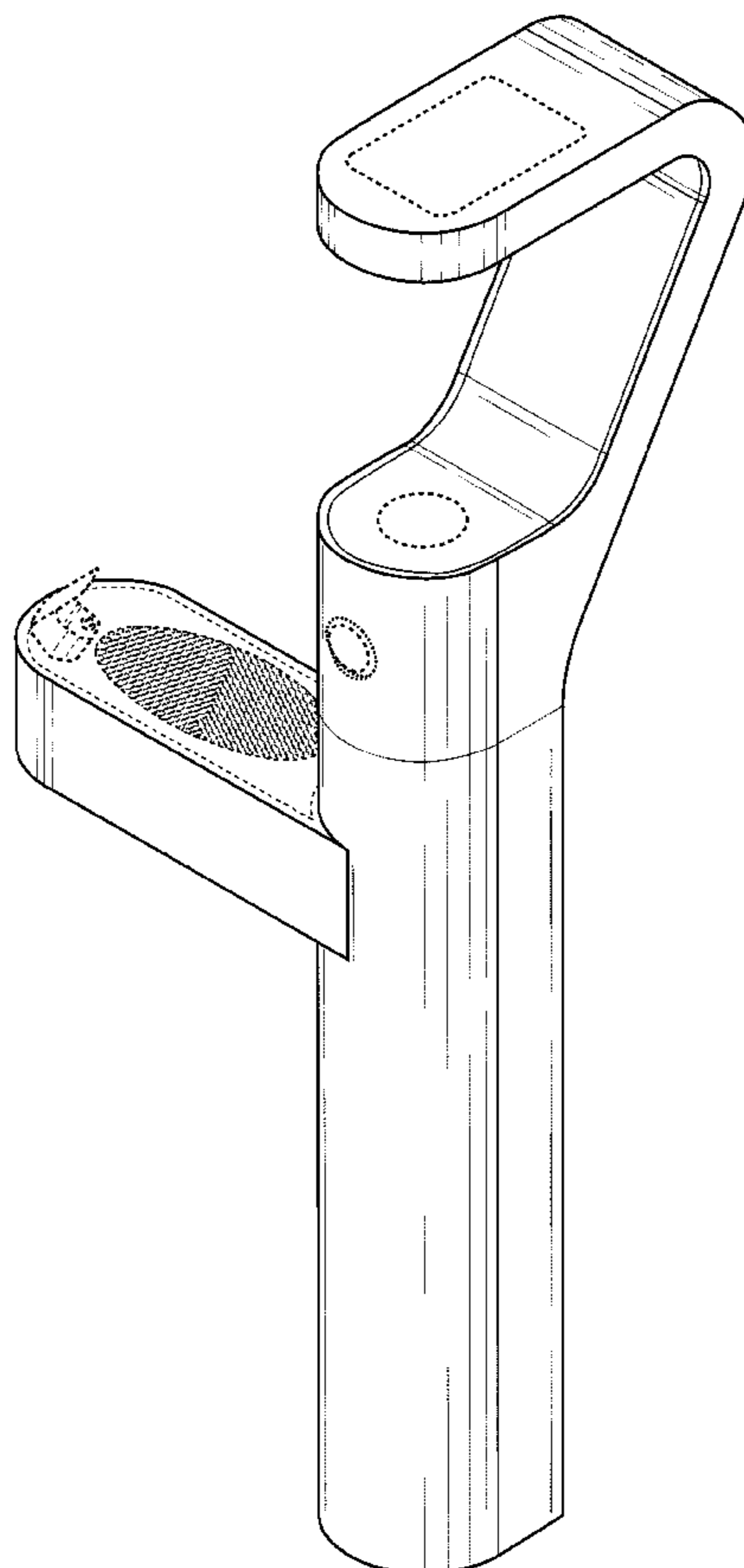
FIG. 5 is a bottom plan view thereof;

FIG. 6 is a rear elevational view thereof; and,

FIG. 7 is a front elevational view thereof.

The broken line showing is included for the purpose of illustrating and forms no part of the claimed design.

**1 Claim, 5 Drawing Sheets**



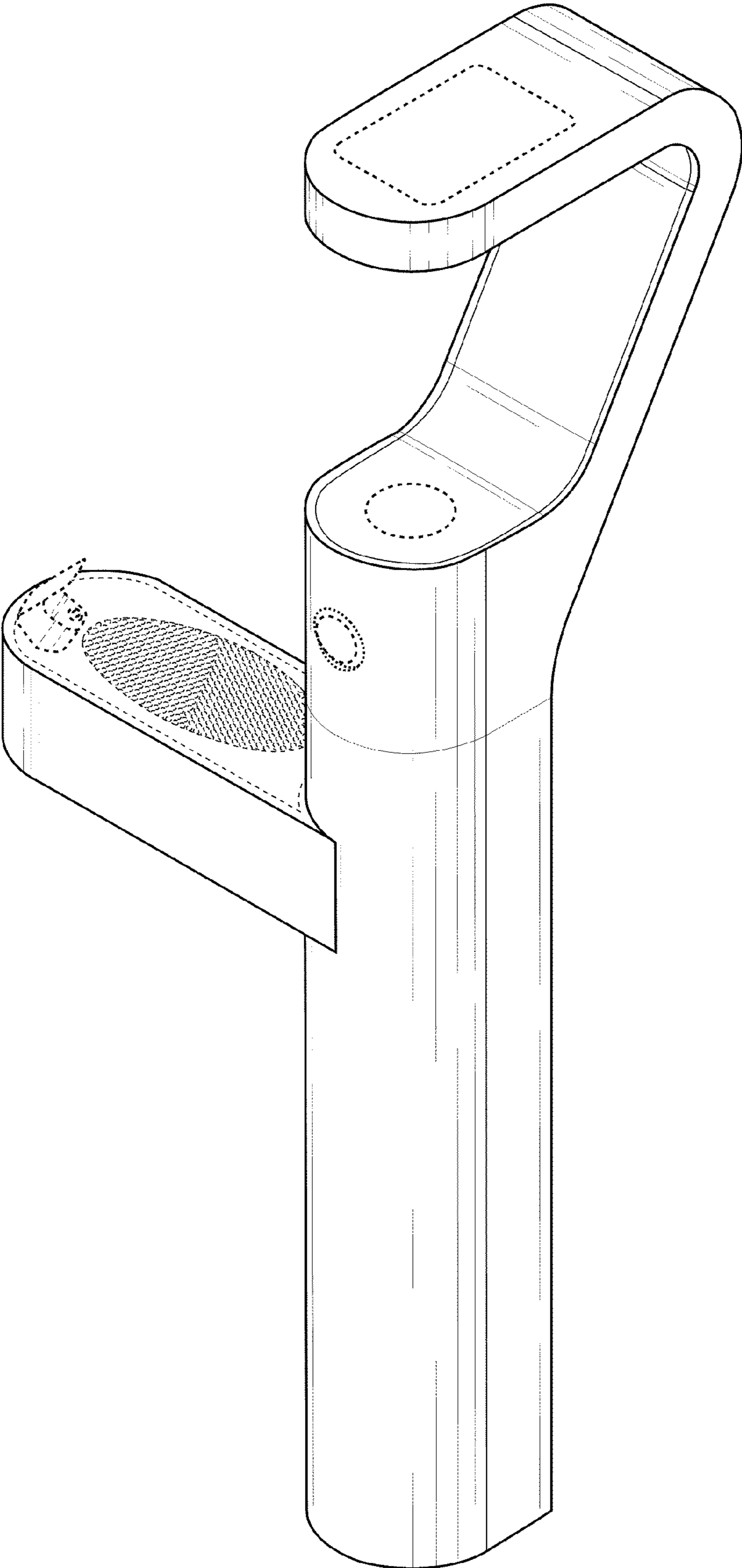


Fig. 1

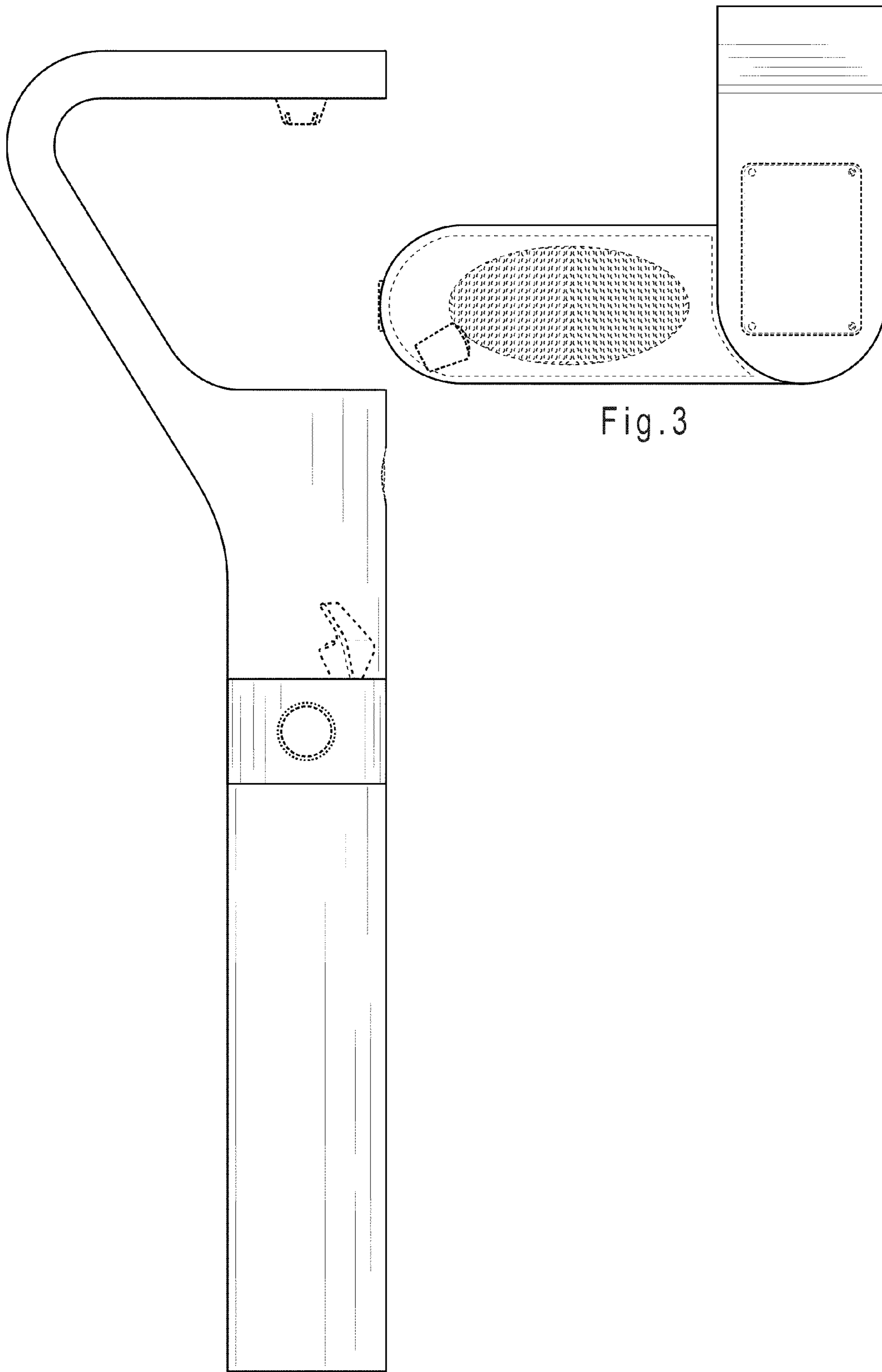


Fig. 3

Fig. 2

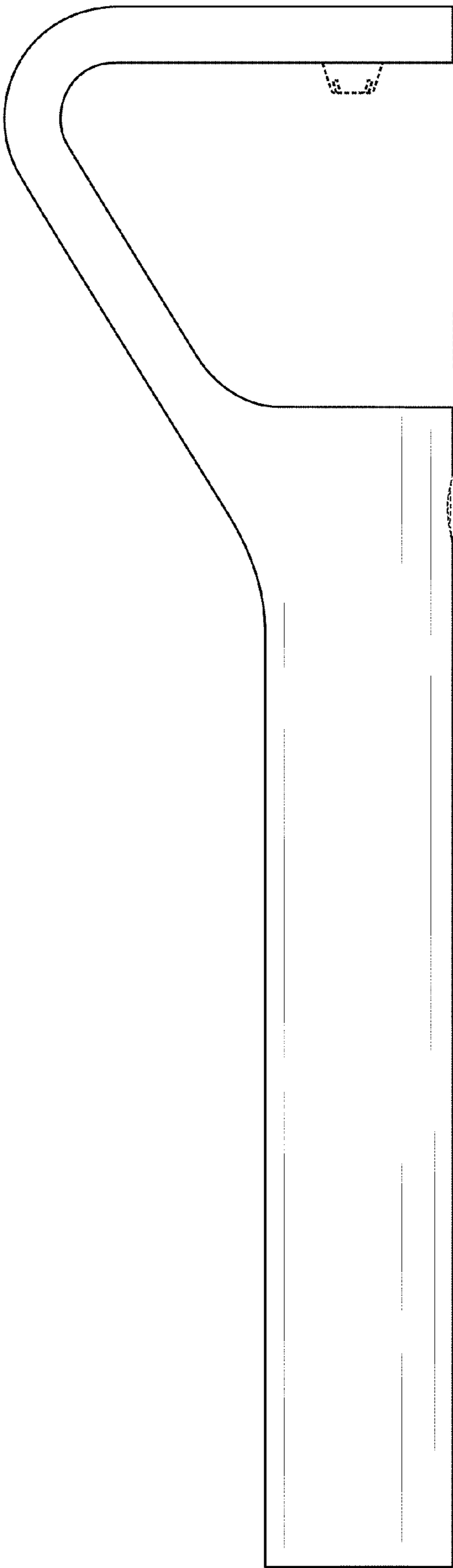


Fig.4

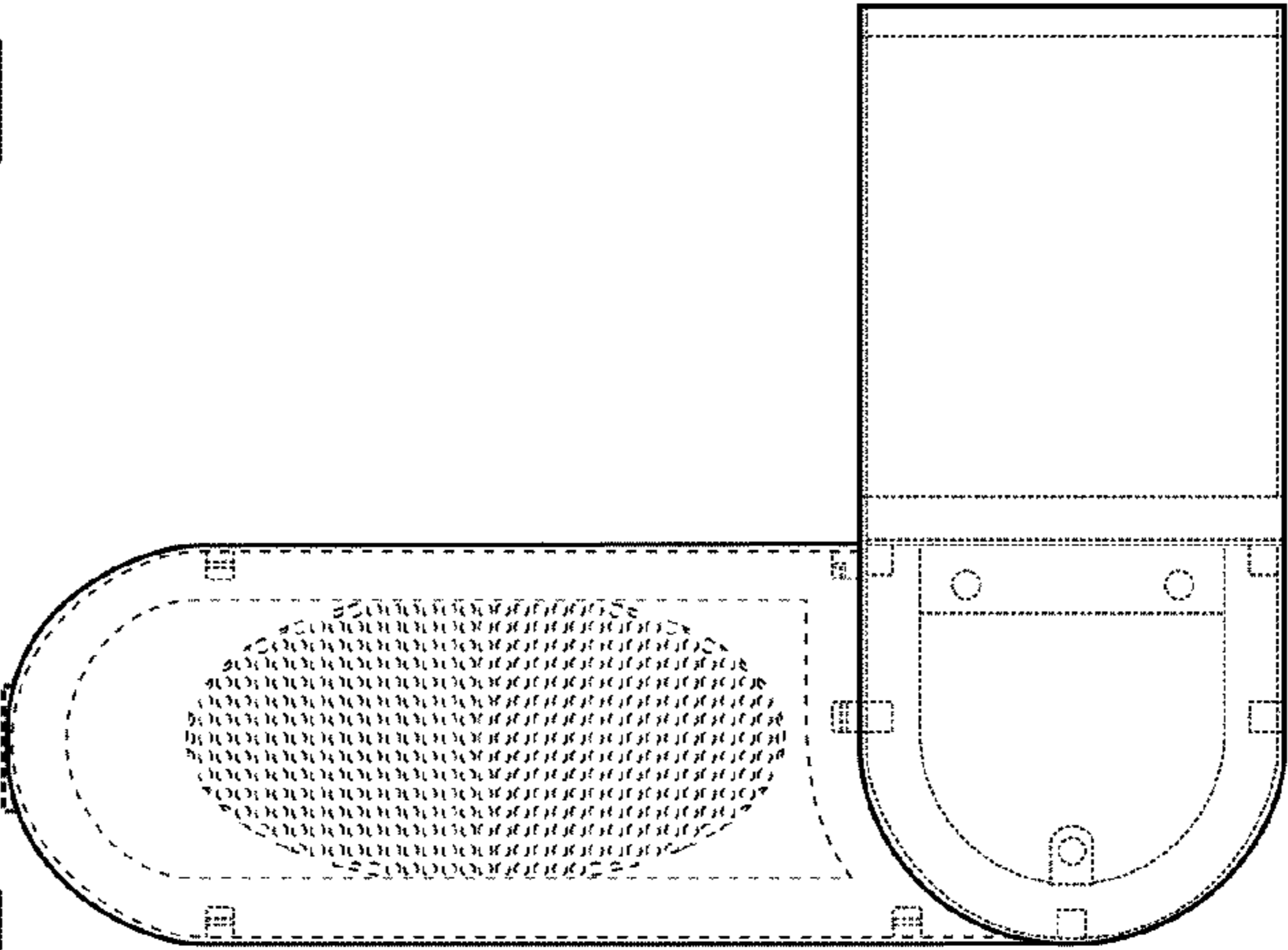


Fig.5

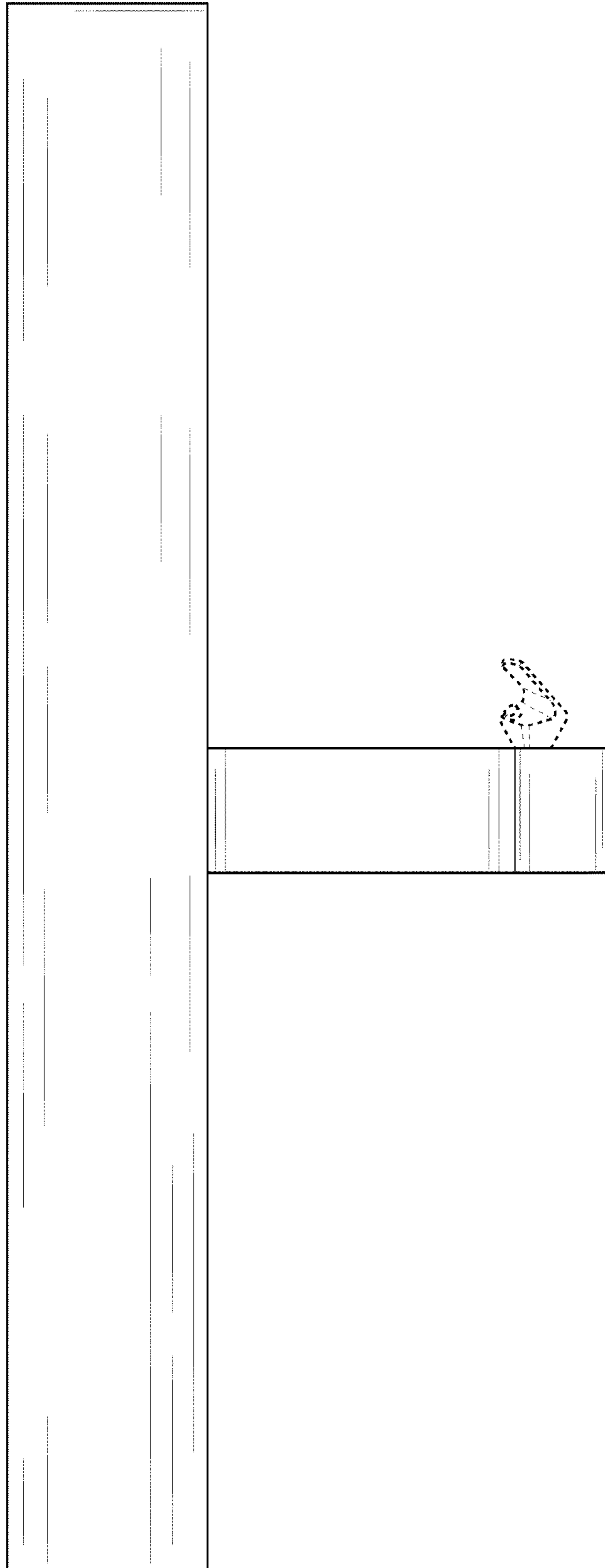


Fig.6

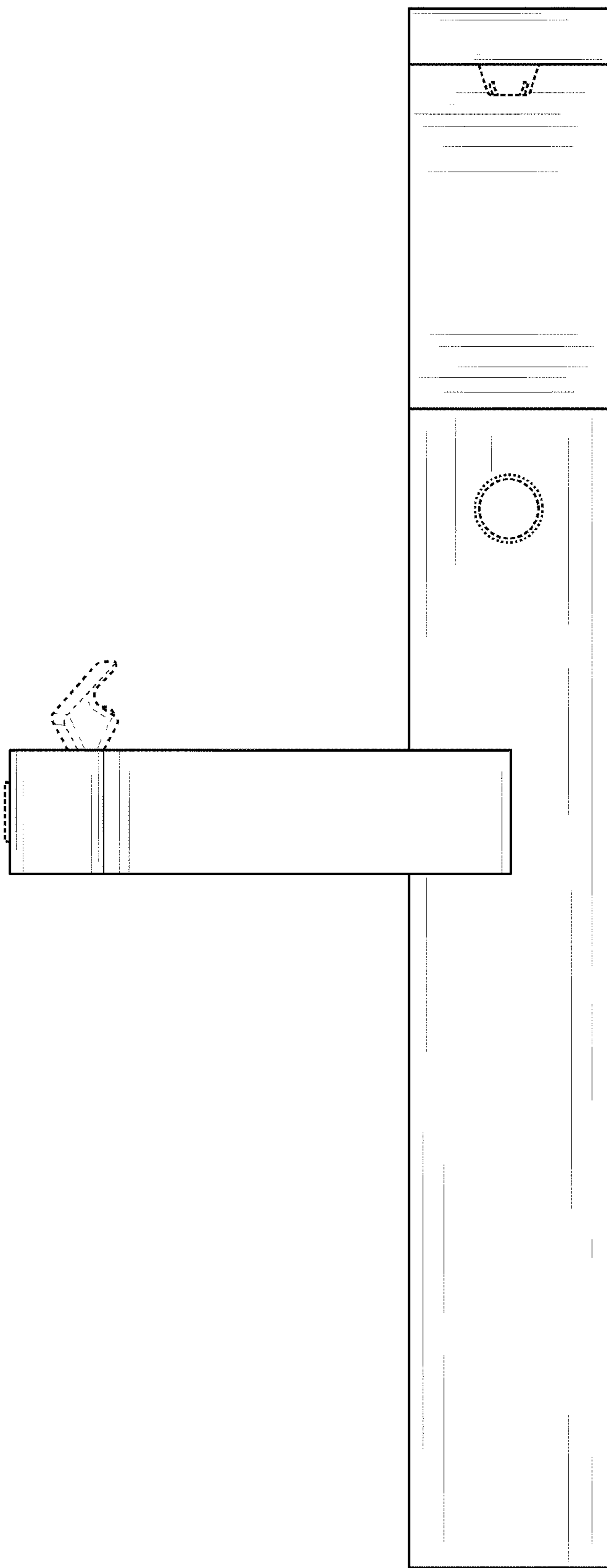


Fig.7