



US00D646346S

(12) **United States Design Patent**
Rae

(10) **Patent No.:** **US D646,346 S**

(45) **Date of Patent:** **** Oct. 4, 2011**

(54) **FLASHLIGHT STUN GUN**

(75) Inventor: **Kit Rae**, Kodak, TN (US)

(73) Assignee: **Bud K Worldwide, Inc.**, Moultrie, GA (US)

(**) Term: **14 Years**

(21) Appl. No.: **29/371,482**

(22) Filed: **Mar. 15, 2011**

(51) **LOC (9) Cl.** **22-02**

(52) **U.S. Cl.** **D22/117**

(58) **Field of Classification Search** D22/117-120,
D22/199; 224/914; 463/47.2-47.6; 222/39,
222/153.11, 175, 183, 402.11; 42/1.01, 1.08;
362/96, 102

See application file for complete search history.

(56) **References Cited**

U.S. PATENT DOCUMENTS

5,842,602	A *	12/1998	Pierpoint	222/153.11
6,386,726	B1 *	5/2002	Macierowski et al.	362/102
D611,115	S *	3/2010	Pennington	D22/117
D637,263	S *	5/2011	Pennington	D22/117

* cited by examiner

Primary Examiner — Catheri Oliver

(74) *Attorney, Agent, or Firm* — John S. Hale; Gipple & Hale

(57) **CLAIM**

The ornamental design for a flashlight stun gun, as shown and described.

DESCRIPTION

FIG. 1 is a front elevational view of the flashlight stun gun showing my new design;

FIG. 2 is a rear elevational view of the flashlight stun gun of FIG. 1;

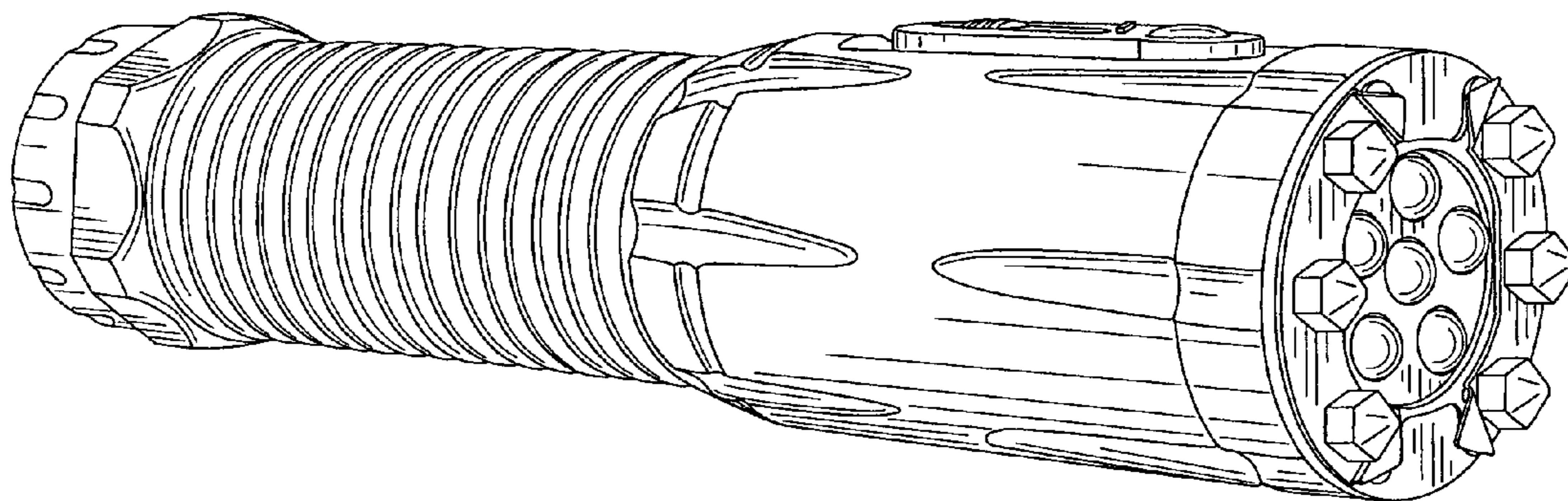
FIG. 3 is a side elevational view of the flashlight stun gun of FIG. 1, the opposite side being identical thereto;

FIG. 4 is an enlarged top plan view of the flashlight stun gun of FIG. 1;

FIG. 5 is an enlarged bottom plan view of the flashlight stun gun of FIG. 1; and,

FIG. 6 is a perspective view of the flashlight stun gun showing my new design.

1 Claim, 6 Drawing Sheets



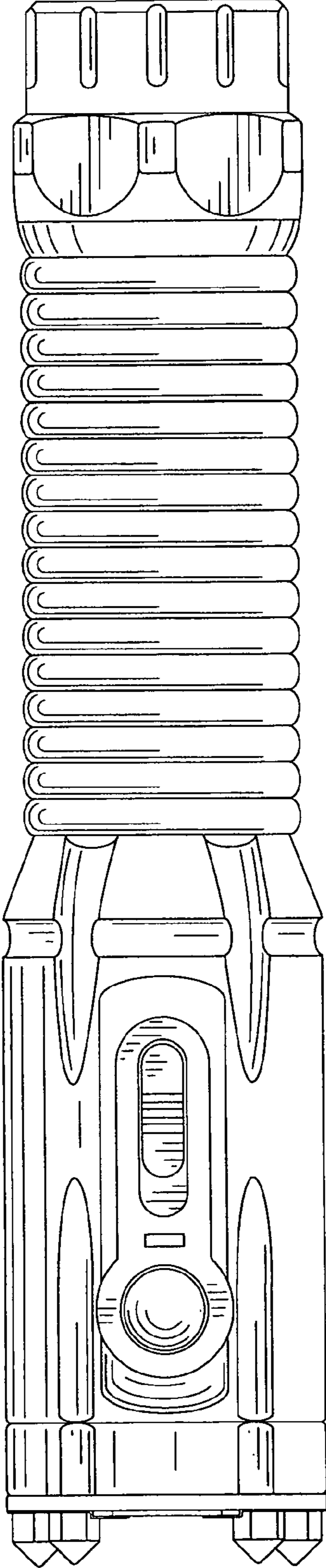


FIG. 1

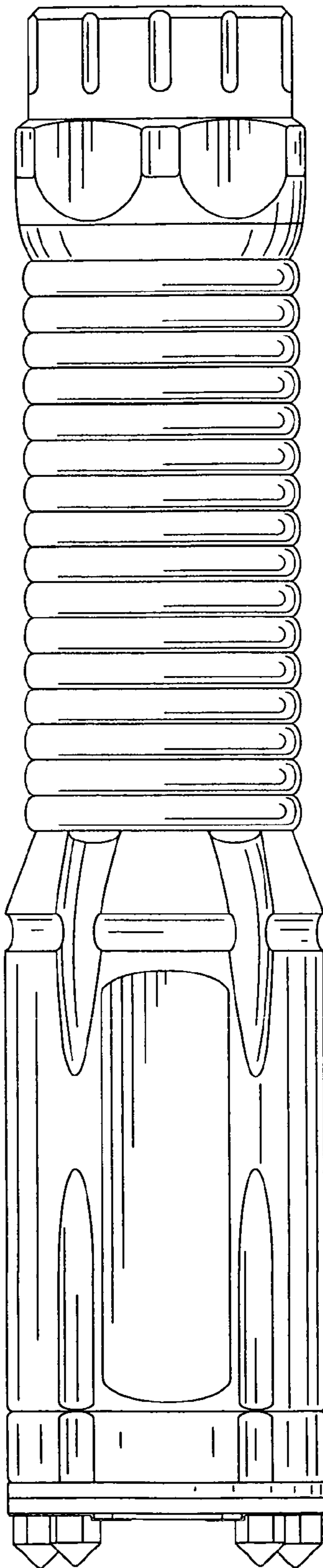


FIG. 2

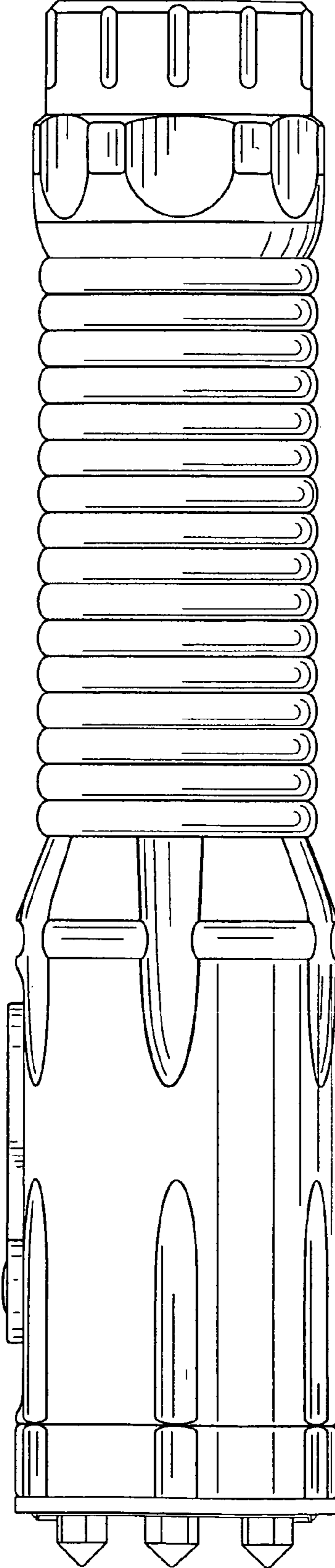


FIG. 3

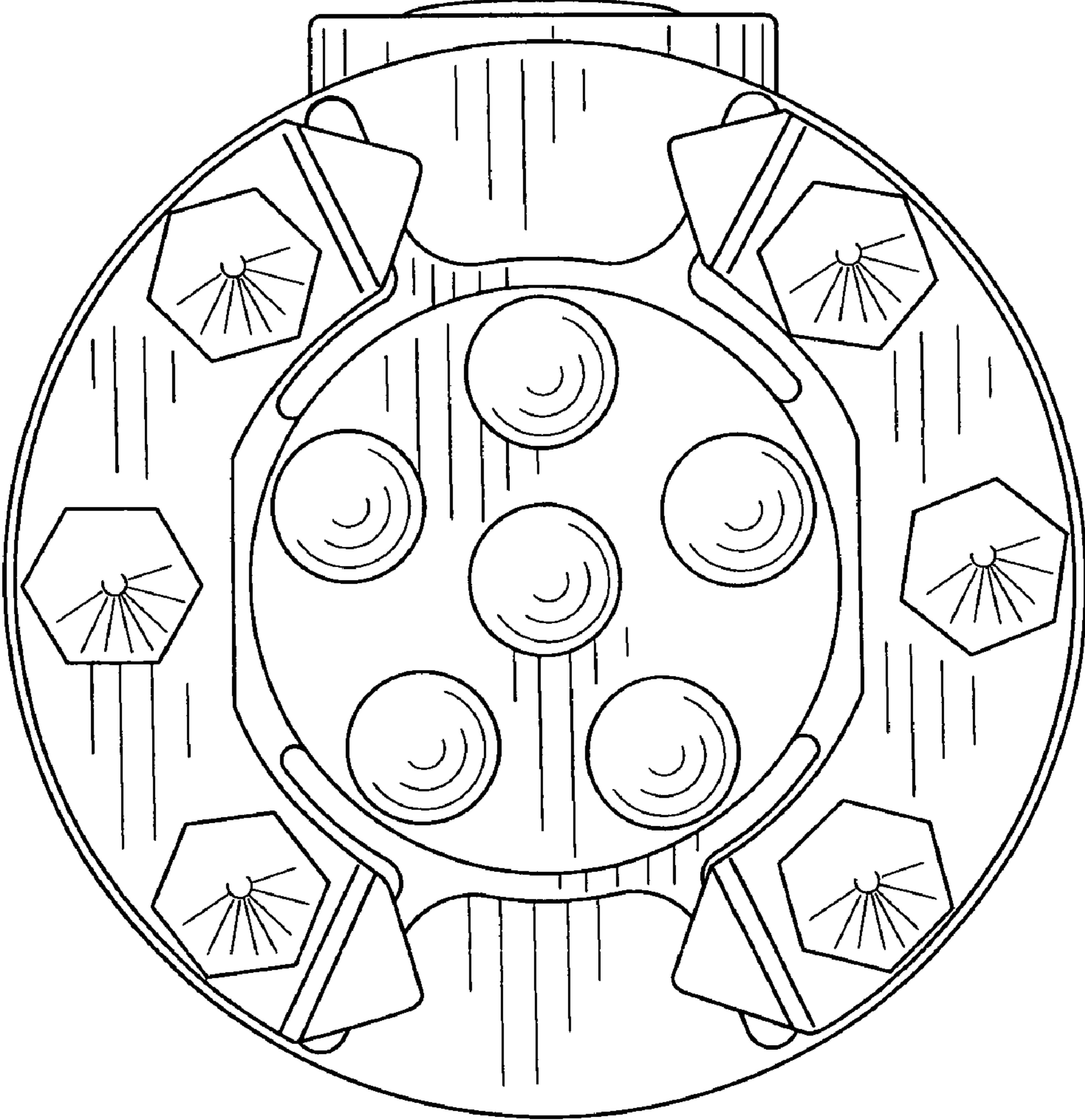


Fig. 4

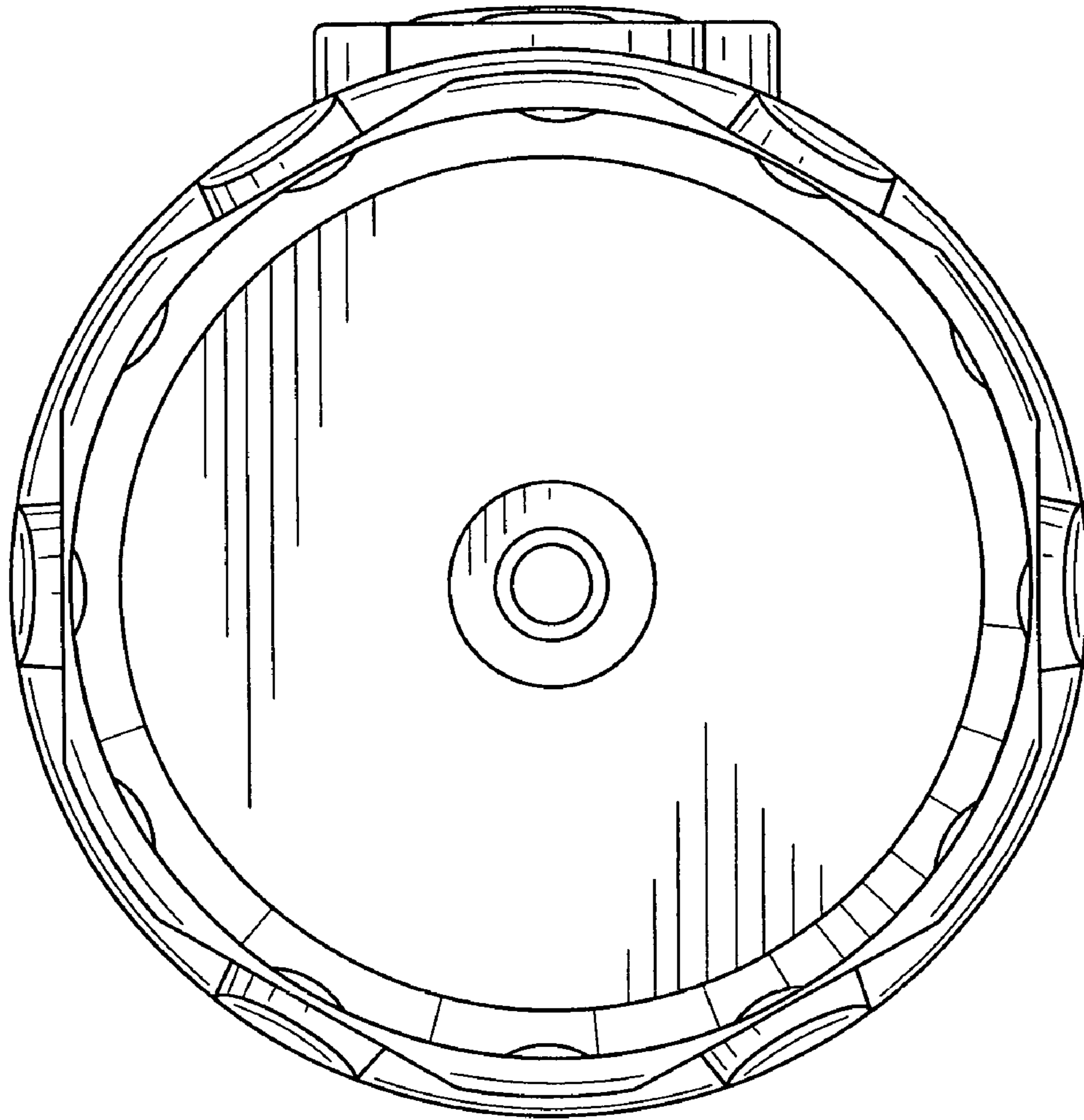


FIG. 5

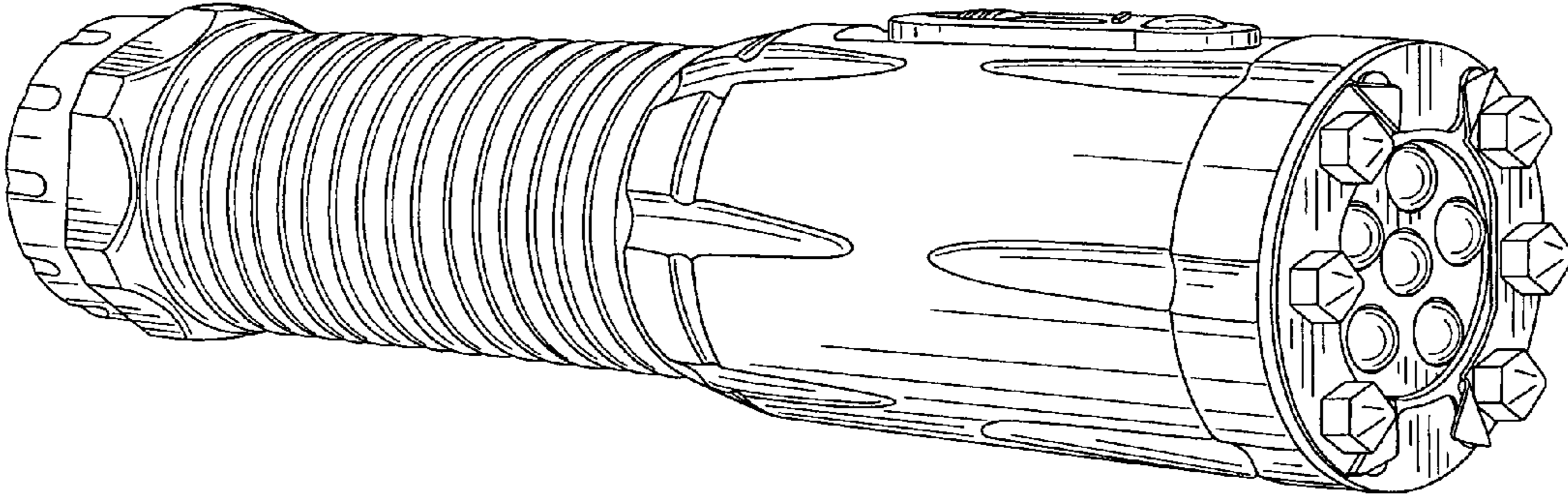


FIG. 6