



US00D646345S

(12) **United States Design Patent**
Oliver

(10) **Patent No.:** **US D646,345 S**

(45) **Date of Patent:** **** Oct. 4, 2011**

(54) **VISUAL SIGNATURE REDUCER**

2010/0229713 A1 9/2010 Heath
* cited by examiner

(75) Inventor: **Russell Oliver**, Sandy, UT (US)

Primary Examiner — T. Chase Nelson

(73) Assignee: **OS Inc.**, Cheyenne, WY (US)

Assistant Examiner — Michael Pratt

(**) Term: **14 Years**

(74) *Attorney, Agent, or Firm* — Thorpe North & Western LLP

(21) Appl. No.: **29/377,066**

(57) **CLAIM**

The ornamental design for a visual signature reducer, as shown and described.

(22) Filed: **Oct. 15, 2010**

DESCRIPTION

(51) **LOC (9) Cl.** **22-01**

(52) **U.S. Cl.** **D22/108**

(58) **Field of Classification Search** D22/100,
D22/104, 108, 109–110; D21/572–574;
42/59, 71.01–71.02, 72–74; 89/37.04

See application file for complete search history.

FIG. 1 is a perspective view of the visual signature reducer in accordance with my invention;

FIG. 2 is a front end view thereof, taken from the left side of FIG. 1;

FIG. 3 is a back end view thereof, taken from the right side of FIG. 1;

FIG. 4 is a first side view thereof;

FIG. 5 is a second side view thereof;

FIG. 6 is a top view thereof; and,

FIG. 7 is a bottom view thereof.

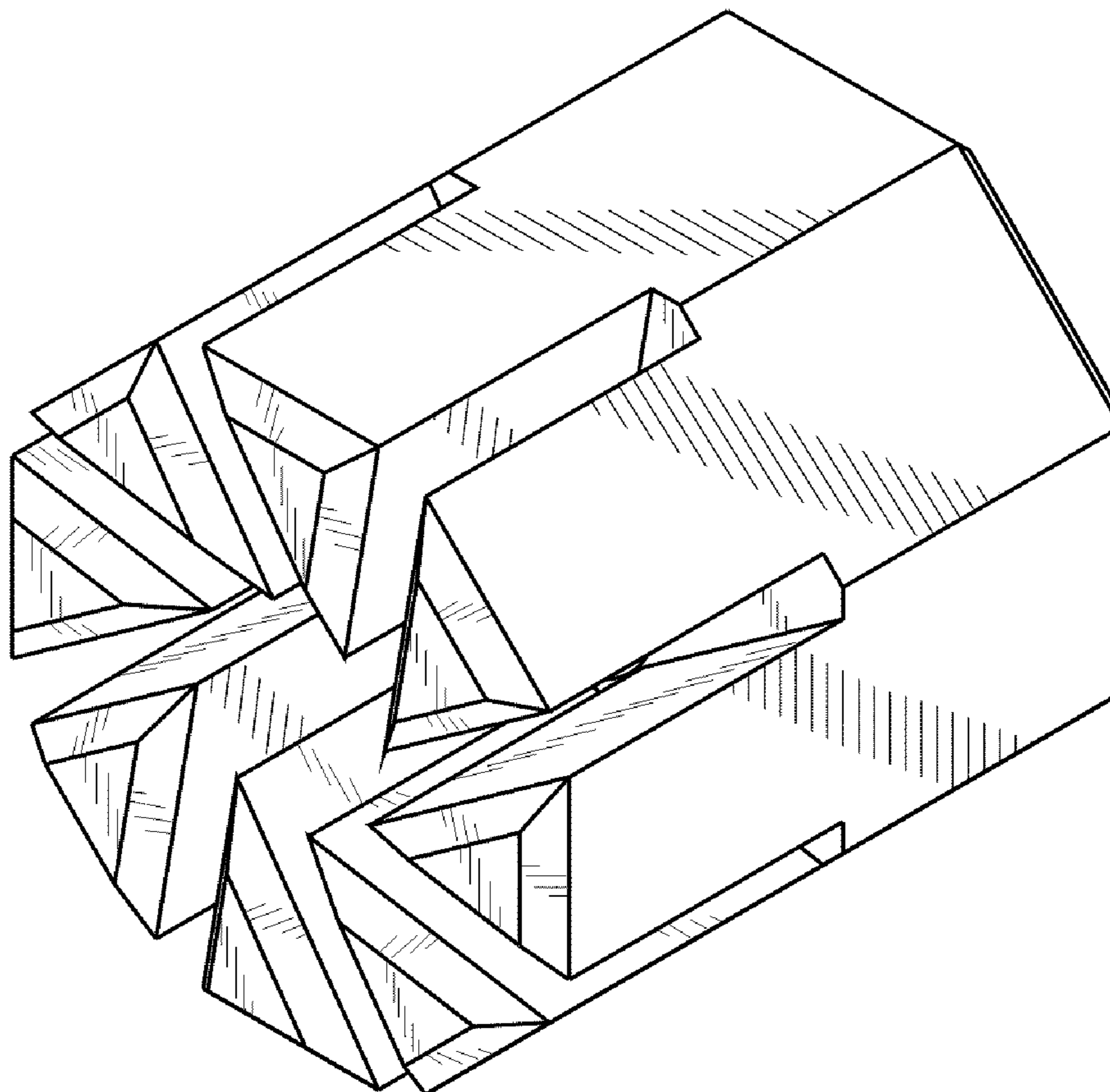
Broken lines shown in FIGS. 1-7 are for illustrative purposes only and form no part of the claimed design. The surface indicia of parallel lines also form no part of the claimed design and are merely surface shading.

(56) **References Cited**

U.S. PATENT DOCUMENTS

5,596,161	A	1/1997	Sommers	
6,595,099	B1	7/2003	Olson et al.	
6,796,071	B2 *	9/2004	Lane et al.	42/70.11
6,837,139	B2	1/2005	Meyers	
D577,410	S	9/2008	Brittingham	
7,861,636	B1	1/2011	Hoffman	
7,870,815	B2	1/2011	Hung	

1 Claim, 2 Drawing Sheets



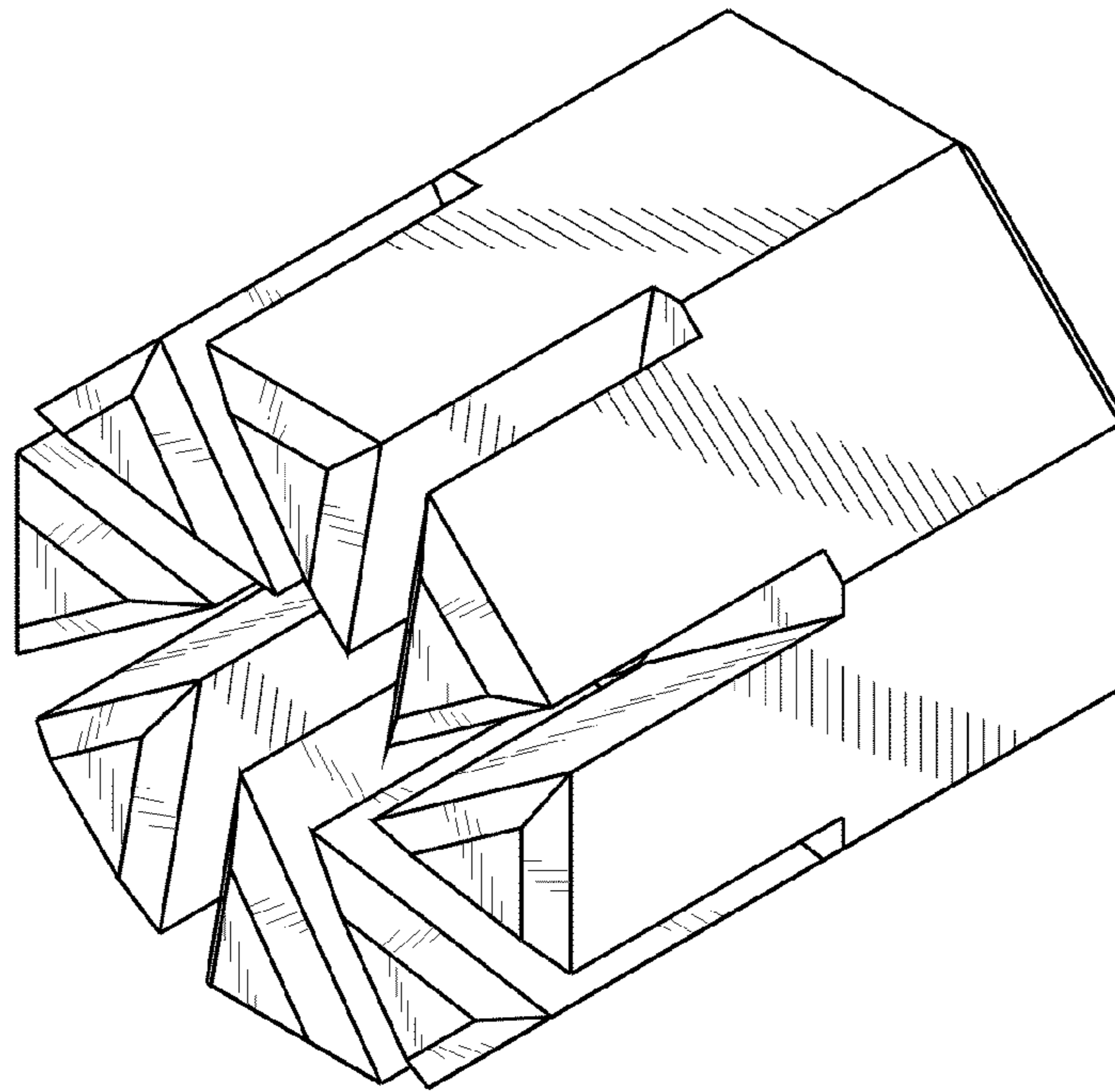


FIG. 1

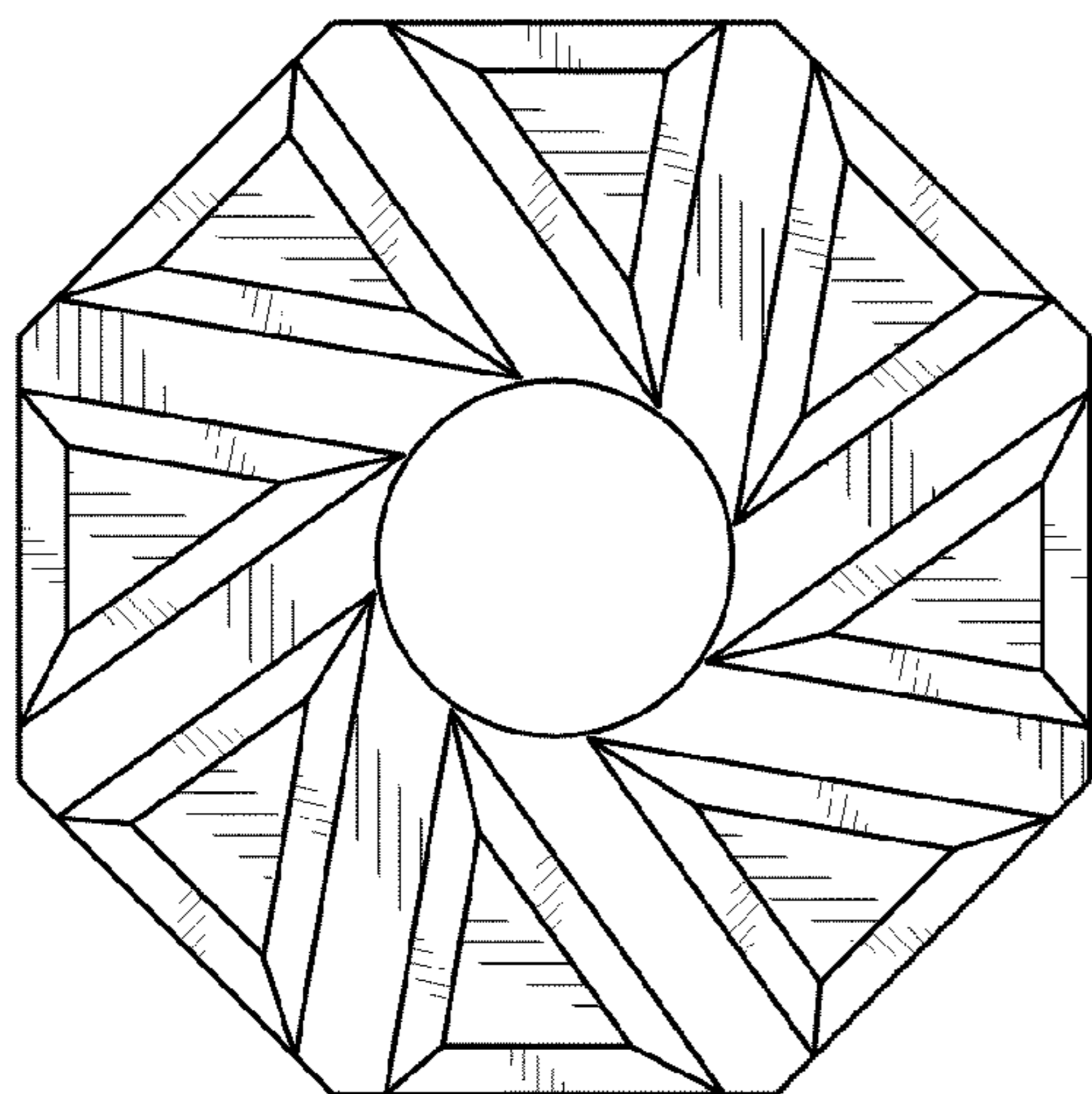


FIG. 2

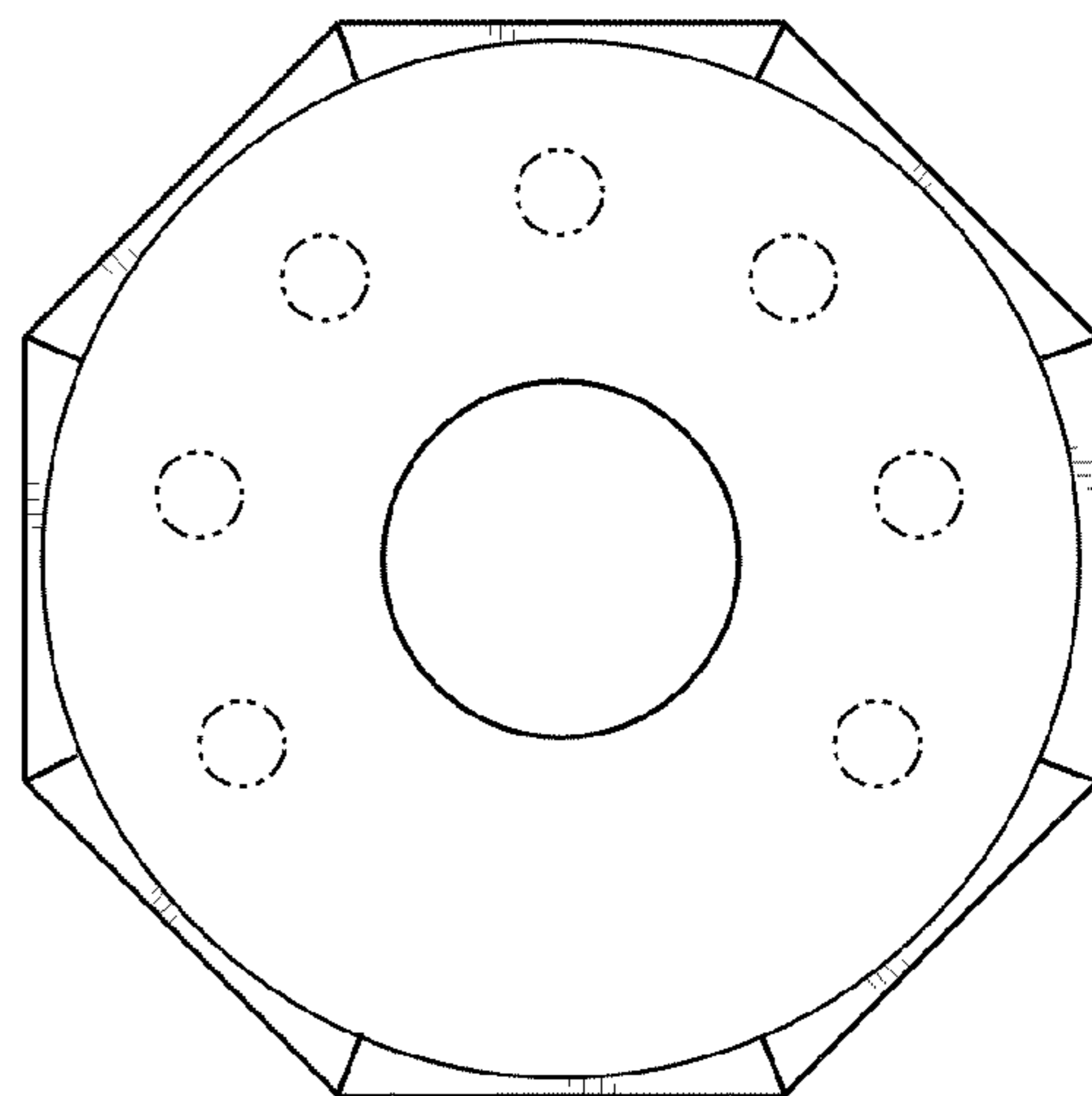


FIG. 3

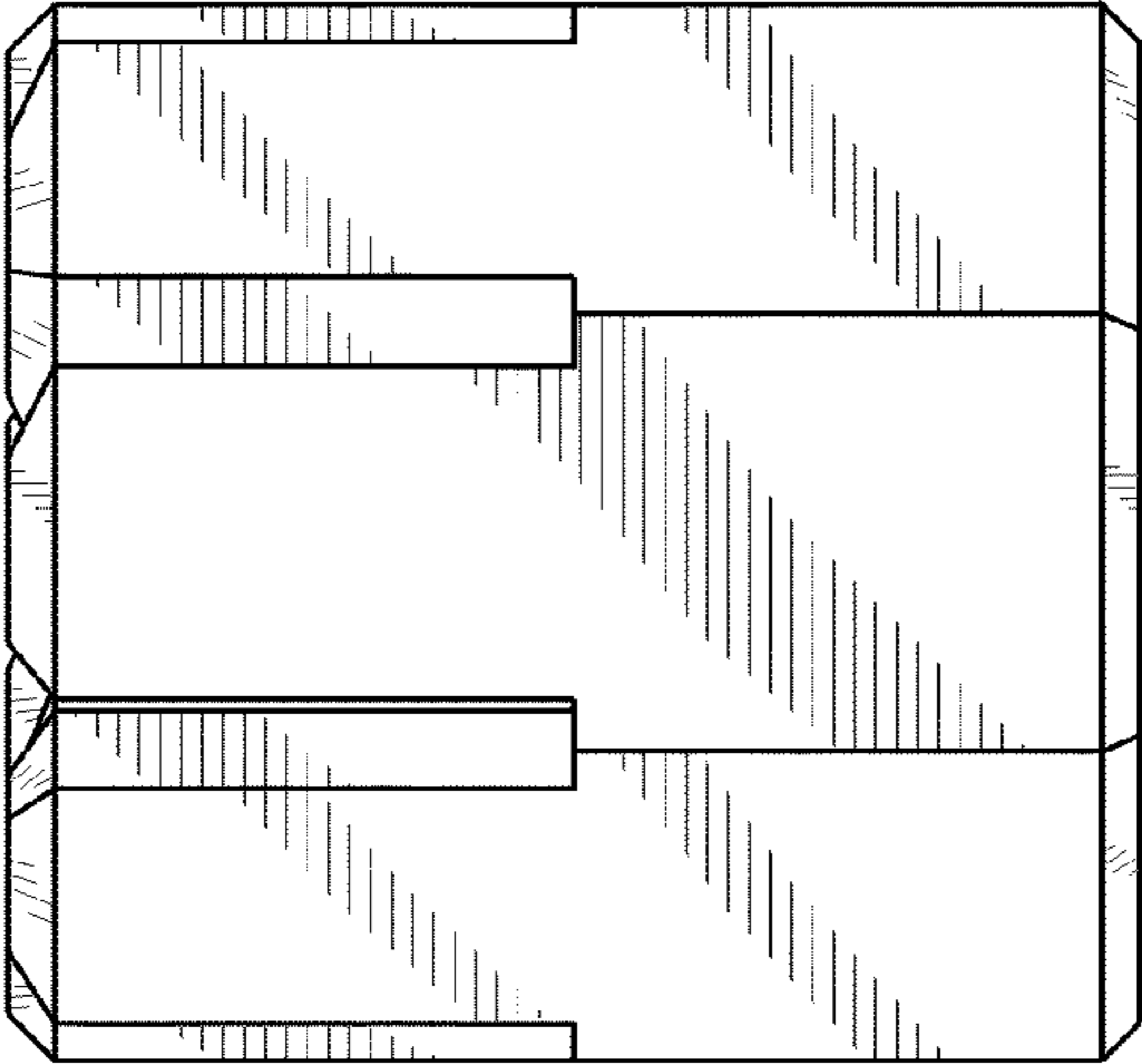


FIG. 4

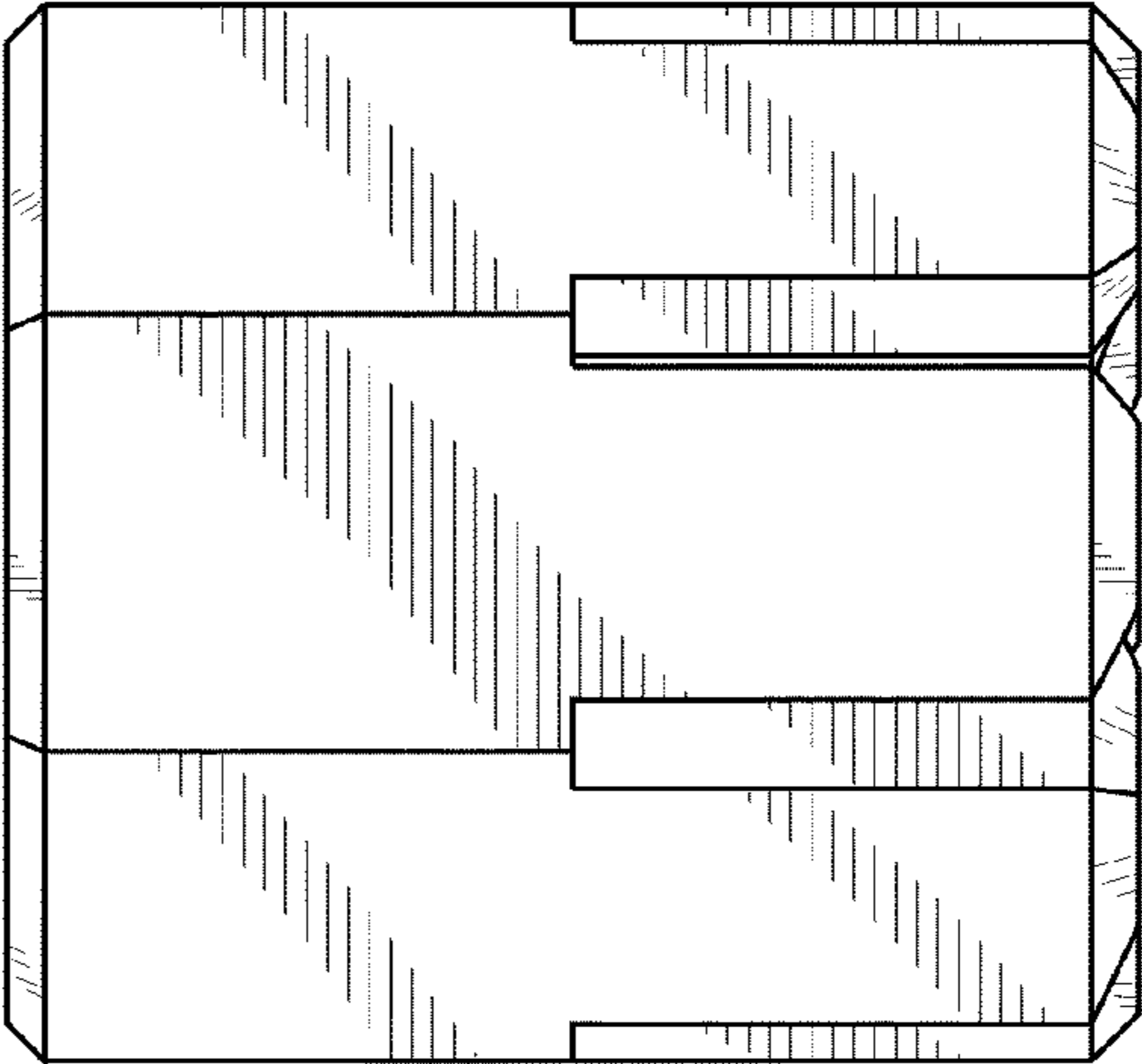


FIG. 5

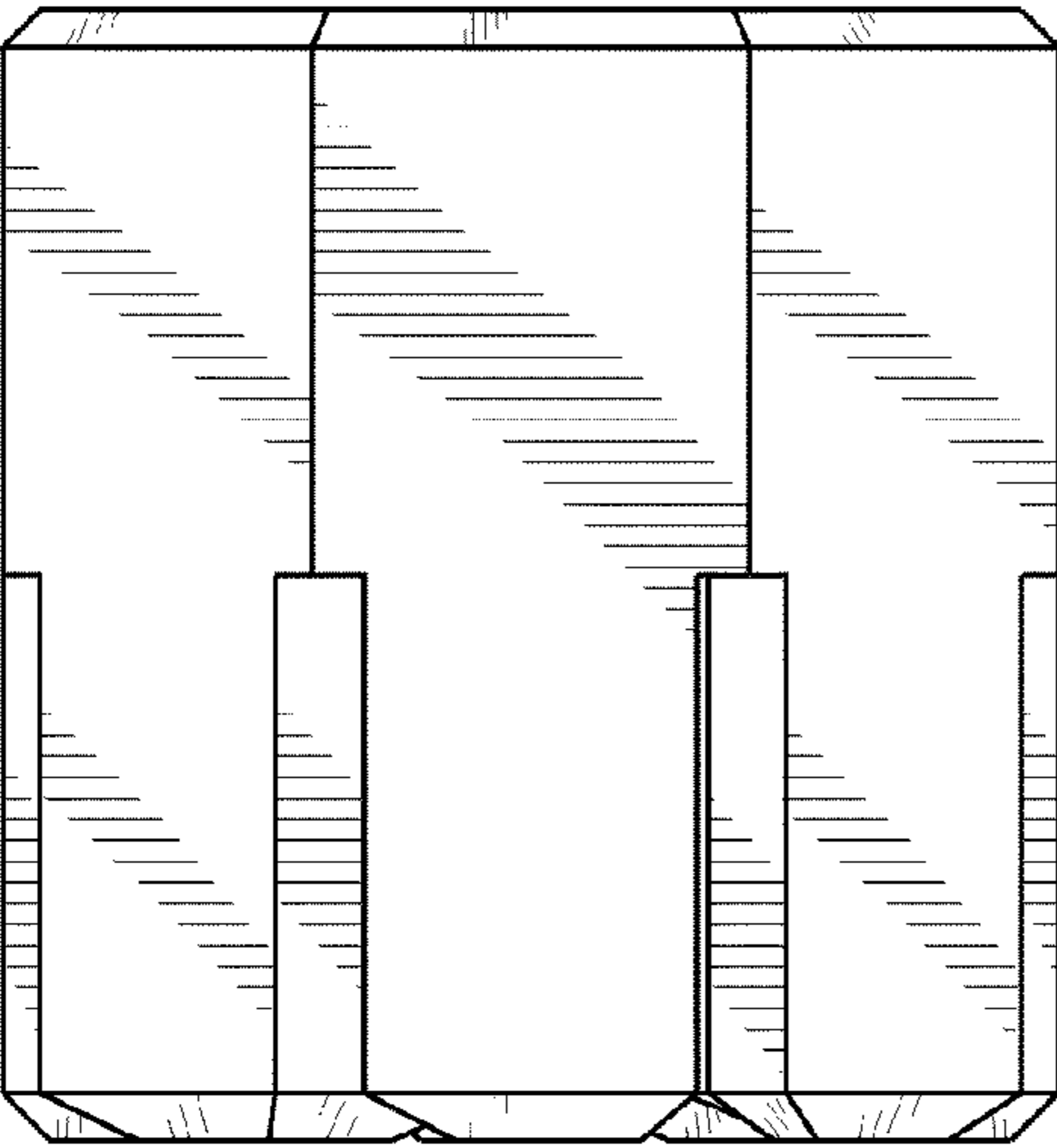


FIG. 6

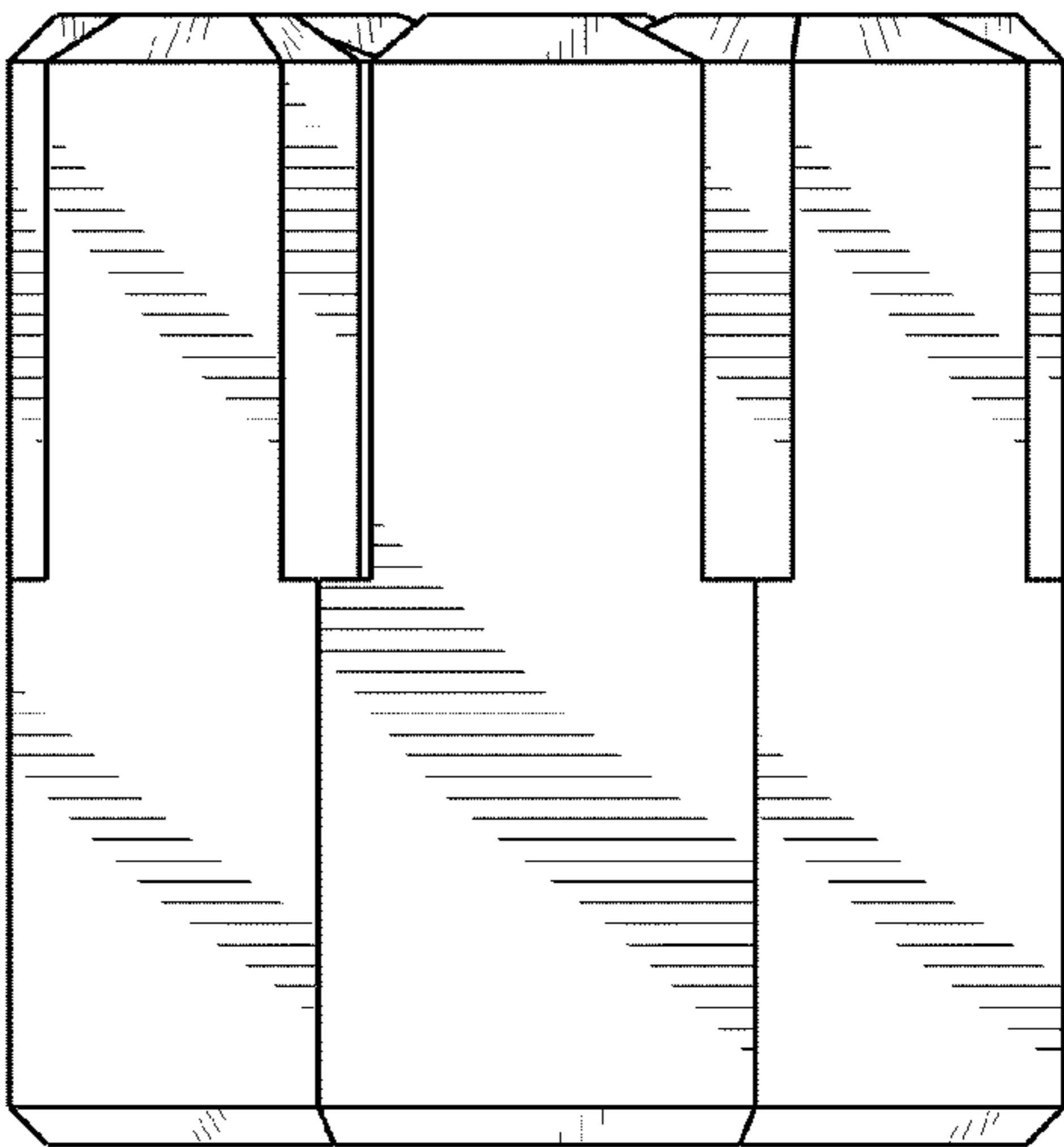


FIG. 7